



US00D659646S

(12) **United States Design Patent**
Kajiura et al.

(10) **Patent No.:** **US D659,646 S**

(45) **Date of Patent:** **** May 15, 2012**

(54) **ELECTRICAL CONNECTOR**

(75) Inventors: **Motomu Kajiura**, Tokyo (JP);
Yasutoshi Kameda, Chiba (JP)

(73) Assignee: **FCI**, Guyancourt (FR)

(**) Term: **14 Years**

(21) Appl. No.: **29/384,322**

(22) Filed: **Jan. 28, 2011**

(51) **LOC (9) Cl.** **13-03**

(52) **U.S. Cl.** **D13/154**

(58) **Field of Classification Search** D13/120,
D13/146, 147, 154, 184, 199; 439/79, 159-160,
439/330-331, 341-342, 629-630, 636, 660,
439/773, 860, 946

See application file for complete search history.

(56) **References Cited**

U.S. PATENT DOCUMENTS

3,829,803	A	8/1974	Maeda	
4,354,562	A	10/1982	Newman	
4,738,325	A	4/1988	Bullivant et al.	
5,232,243	A	8/1993	Blackburn et al.	
5,481,078	A	1/1996	Asche	
5,570,903	A	11/1996	Meister et al.	
5,810,392	A	9/1998	Gagnon	
5,959,557	A	9/1999	Lim	
6,129,168	A	10/2000	Lotito et al.	
6,315,621	B1	11/2001	Natori et al.	
6,764,315	B2 *	7/2004	Ng et al.	439/66
6,796,192	B2	9/2004	Sullivan et al.	
6,855,004	B2 *	2/2005	Soh	439/509
6,932,382	B2	8/2005	Hayes et al.	
7,026,946	B2	4/2006	Saunders et al.	
D528,985	S *	9/2006	Peng	D13/147
D529,443	S *	10/2006	Chien	D13/147
7,138,907	B2	11/2006	Young et al.	
D556,131	S	11/2007	Chien	
D559,180	S *	1/2008	Lai et al.	D13/120
D561,098	S *	2/2008	Kobayashi et al.	D13/120
D562,768	S	2/2008	Kishi et al.	

D563,322	S *	3/2008	Ma	D13/146
D570,288	S	6/2008	Ma et al.	
D581,367	S	11/2008	Hoshino et al.	
D584,237	S *	1/2009	Zhu	D13/154
D596,129	S *	7/2009	Huang et al.	D13/147
D606,020	S *	12/2009	Yang et al.	D13/120
D609,640	S *	2/2010	Huang et al.	D13/120
D626,090	S	10/2010	Szu et al.	
2003/0220766	A1	11/2003	Saunders et al.	
2004/0262957	A1	12/2004	Young et al.	

OTHER PUBLICATIONS

U.S. Appl. No. 29/384,319, filed Jan. 28, 2011, Kajiura.

U.S. Appl. No. 61/437,533, filed Jan. 28, 2011, Kajiura.

* cited by examiner

Primary Examiner — Daniel Bui

(74) *Attorney, Agent, or Firm* — Woodcock Washburn LLP

(57) **CLAIM**

The ornamental design for an electrical connector, as shown and described.

DESCRIPTION

The present application is related by subject matter to U.S. design patent application Ser. No. 29/384,319 filed Jan. 28, 2011; and U.S. design patent application Ser. No. 29/384,320 filed Jan. 28, 2011.

FIG. 1 is a top, right, front perspective view of an electrical connector according to my design;

FIG. 2 is a bottom, left, rear perspective view thereof;

FIG. 3 is a top plan view thereof;

FIG. 4 is a front elevation view thereof;

FIG. 5 is a bottom plan view thereof;

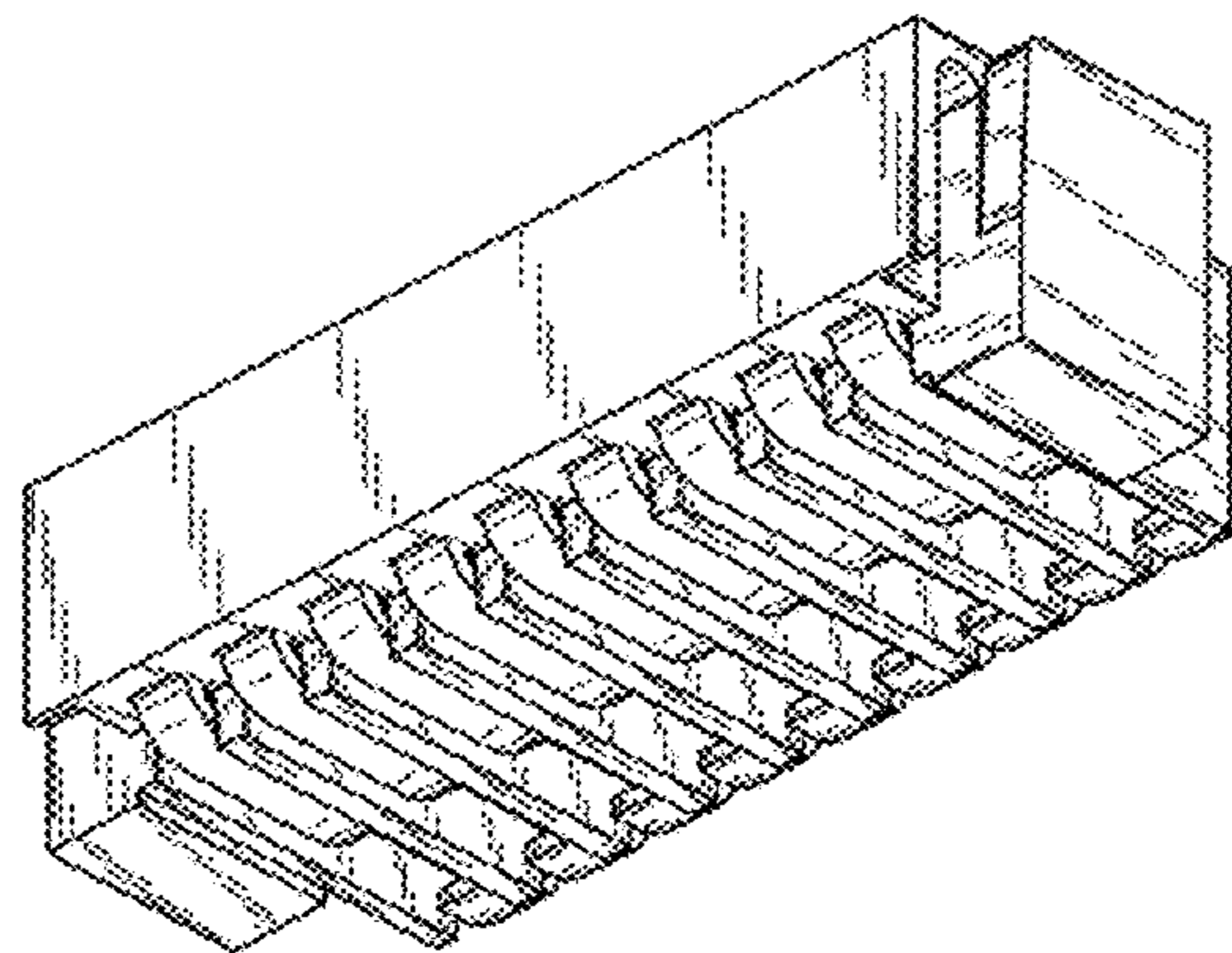
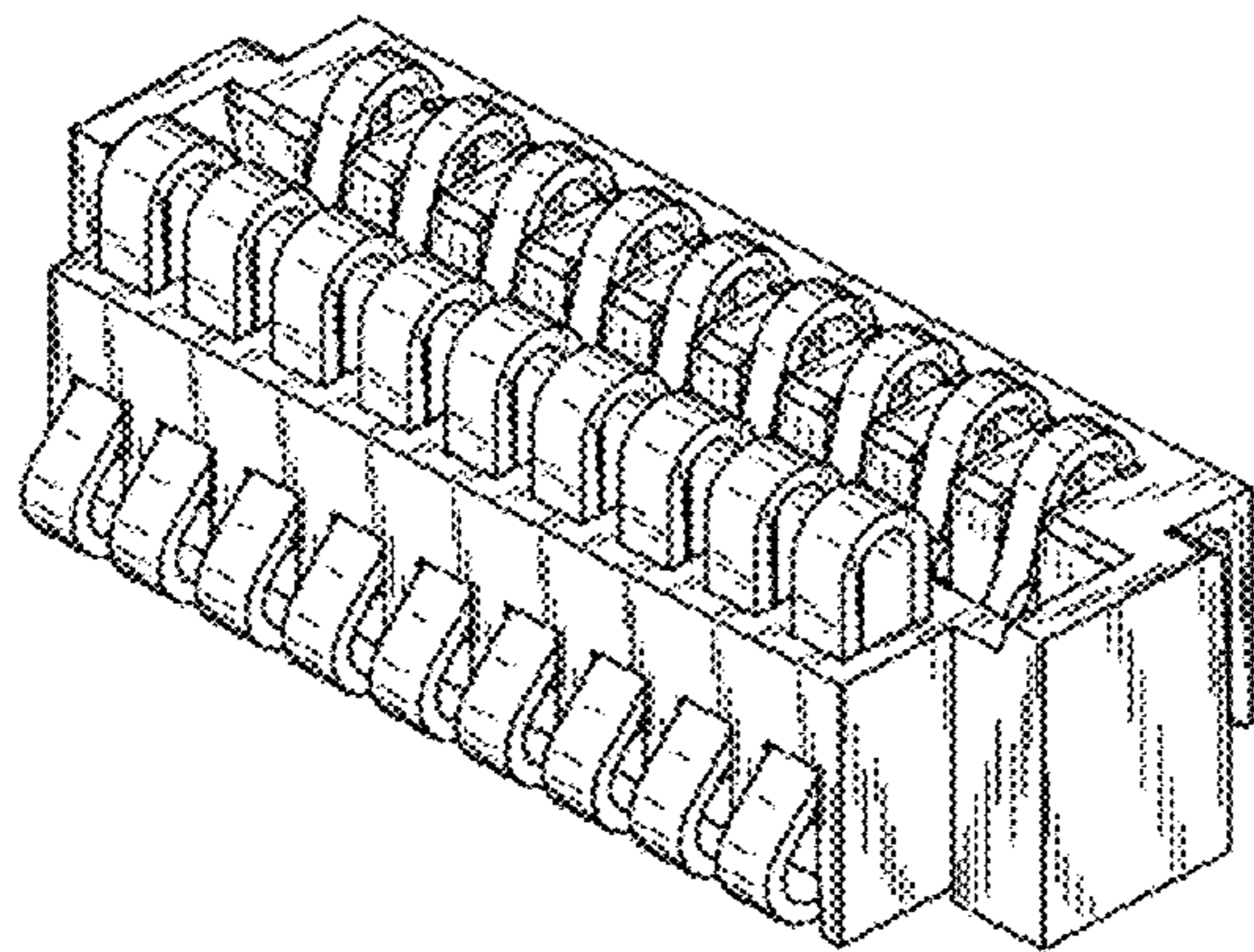
FIG. 6 is a rear elevation view thereof

FIG. 7 is a left side elevation view thereof; and,

FIG. 8 is a right side elevation view thereof.

The broken line portion of the figure drawings is included for the purpose of illustrating environment and forms no part of the claimed design.

1 Claim, 3 Drawing Sheets



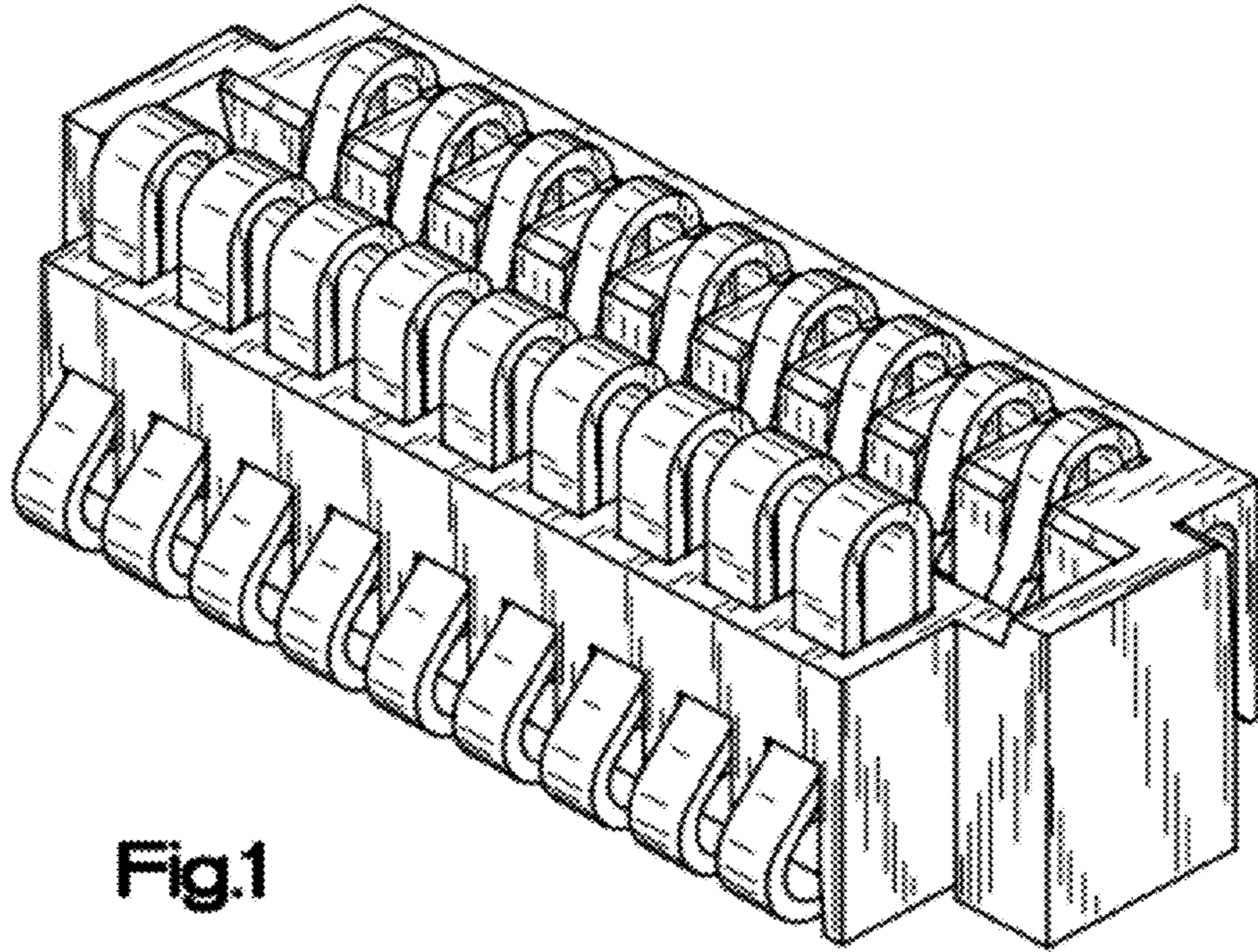


Fig.1

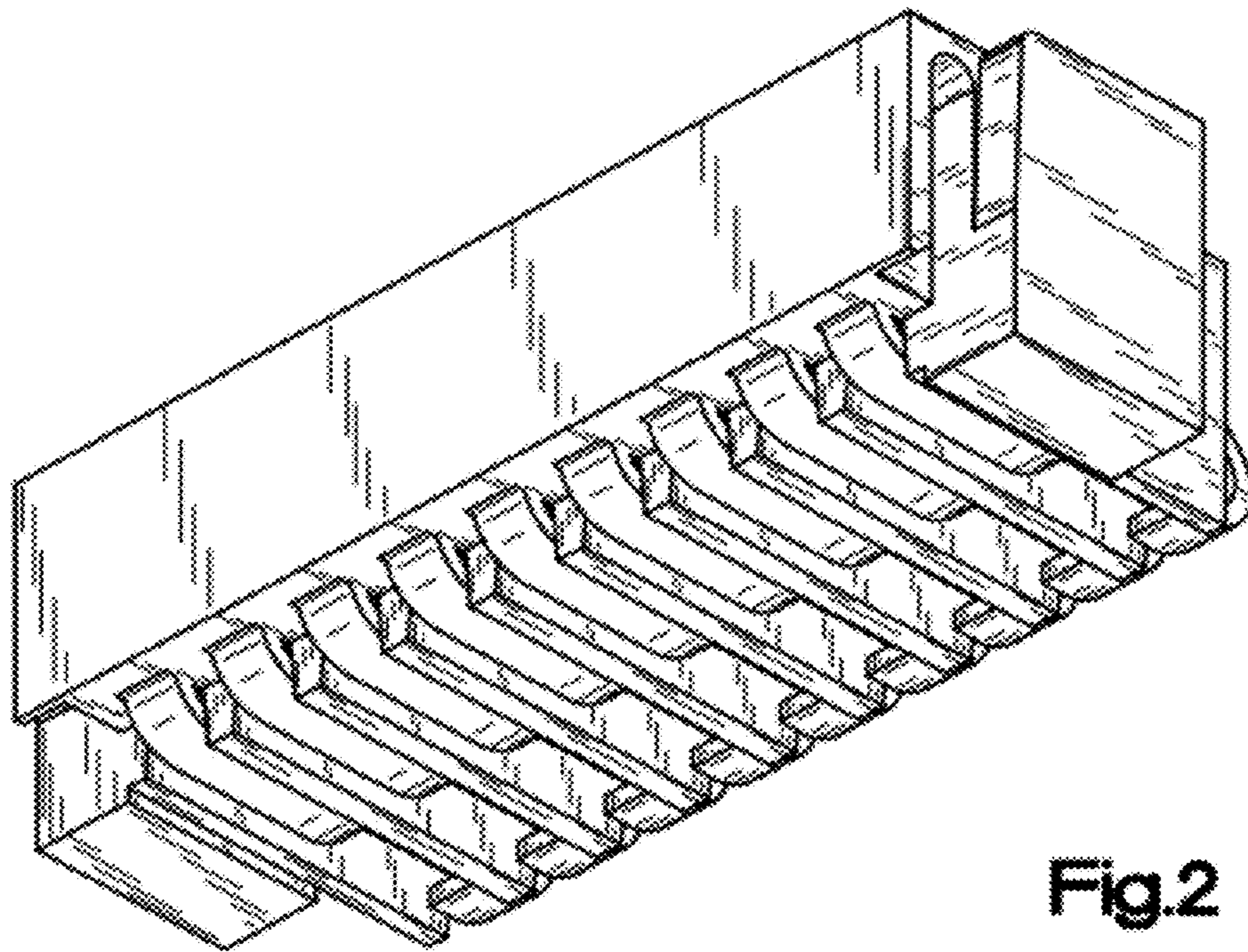


Fig.2

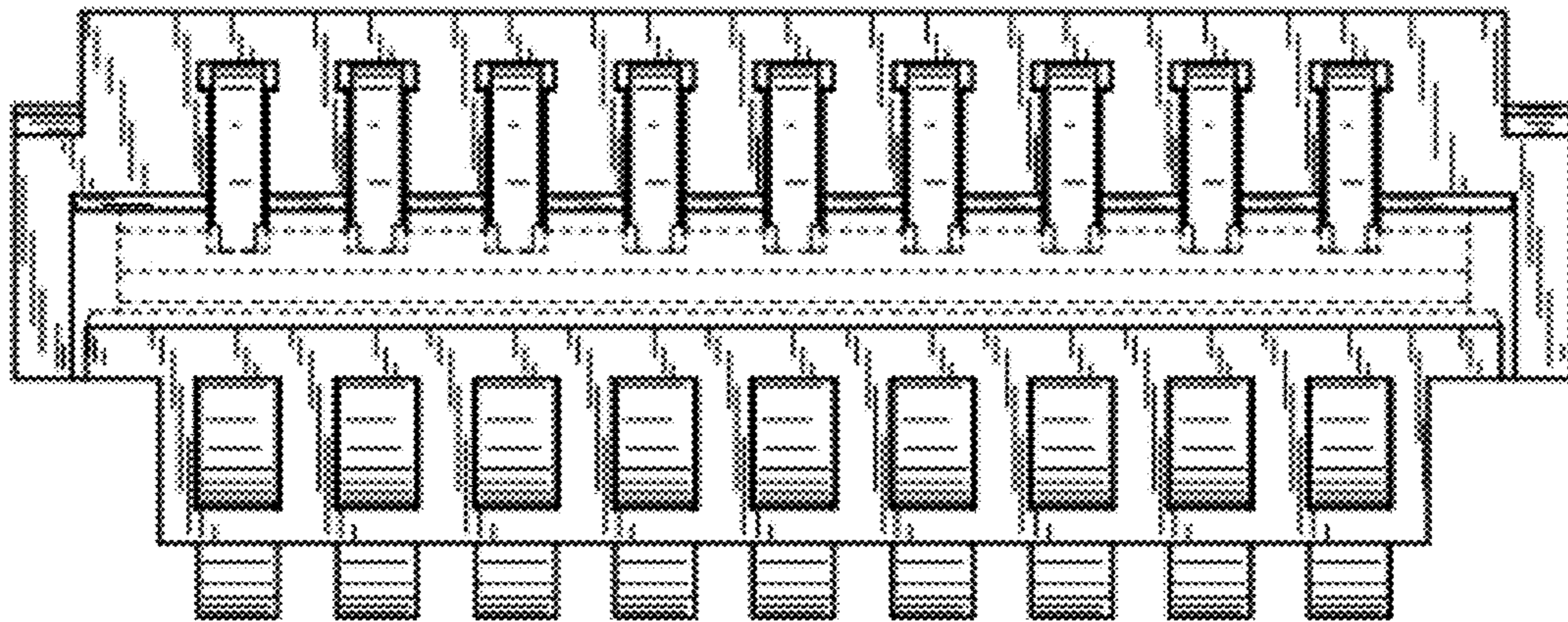


Fig.3

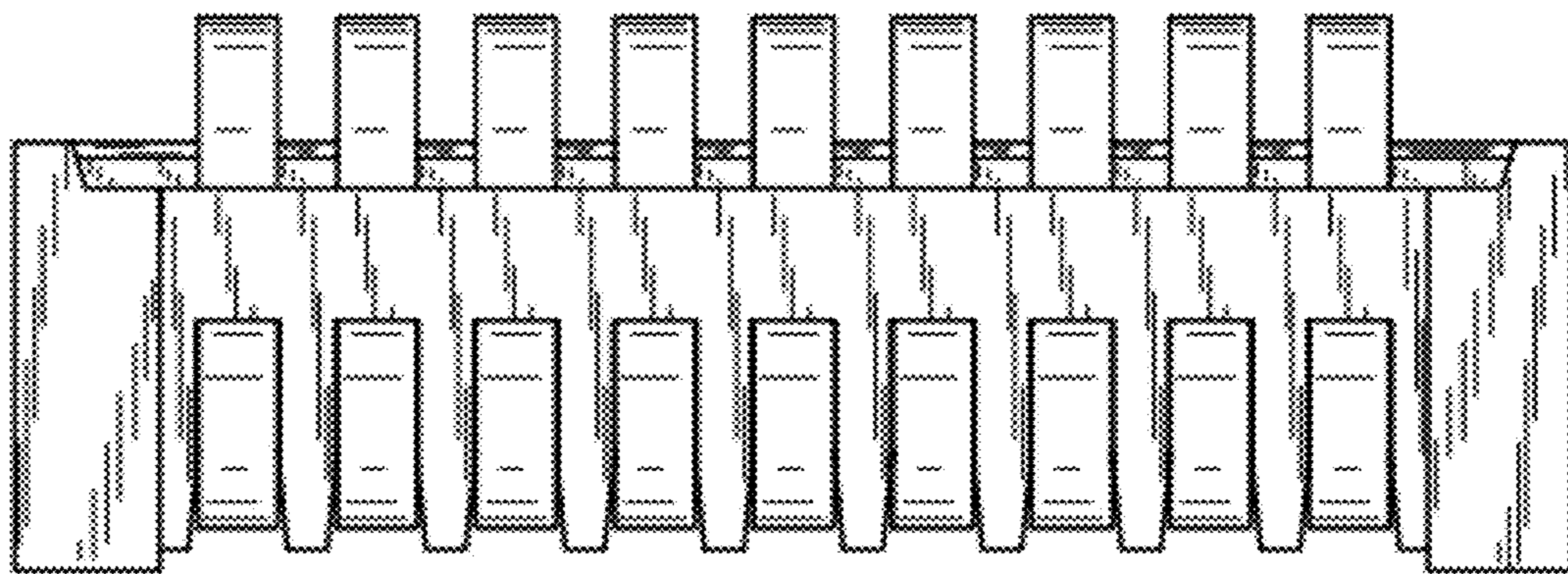


Fig.4

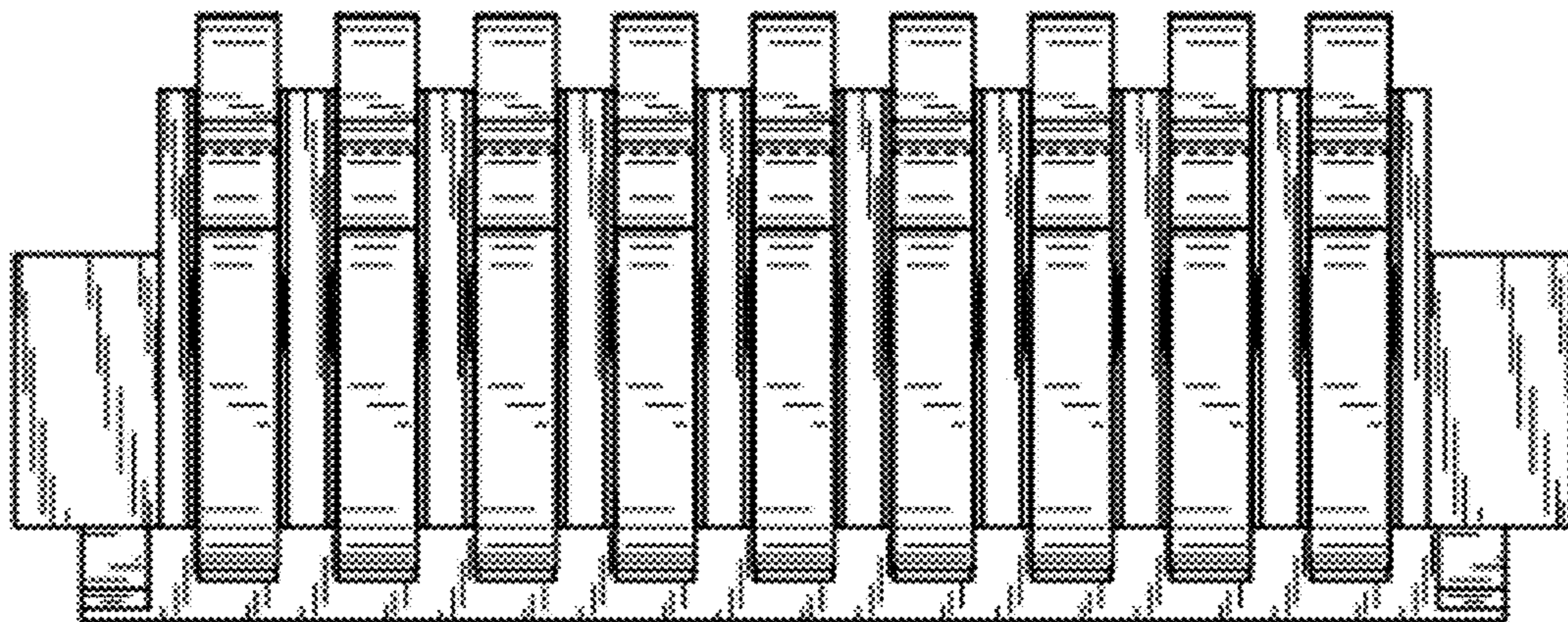


Fig.5

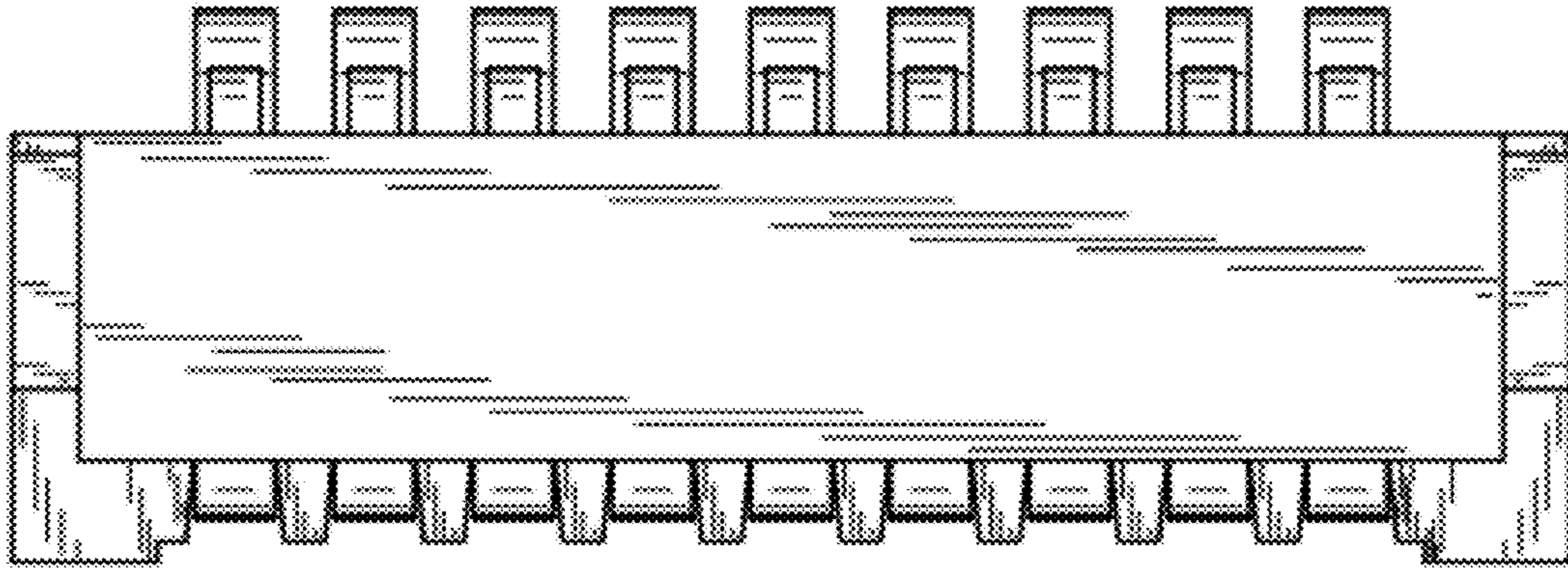


Fig.6

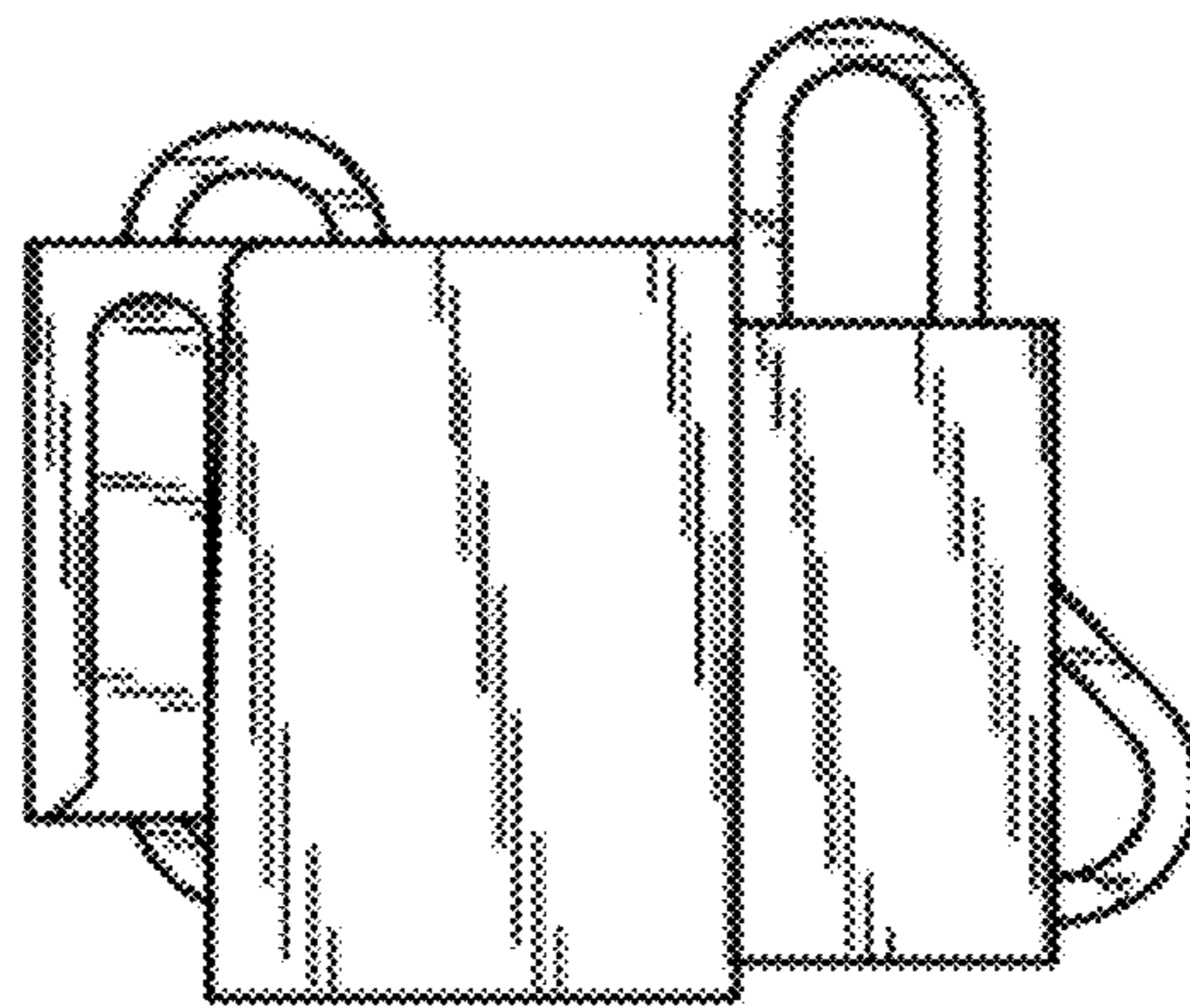


Fig.7

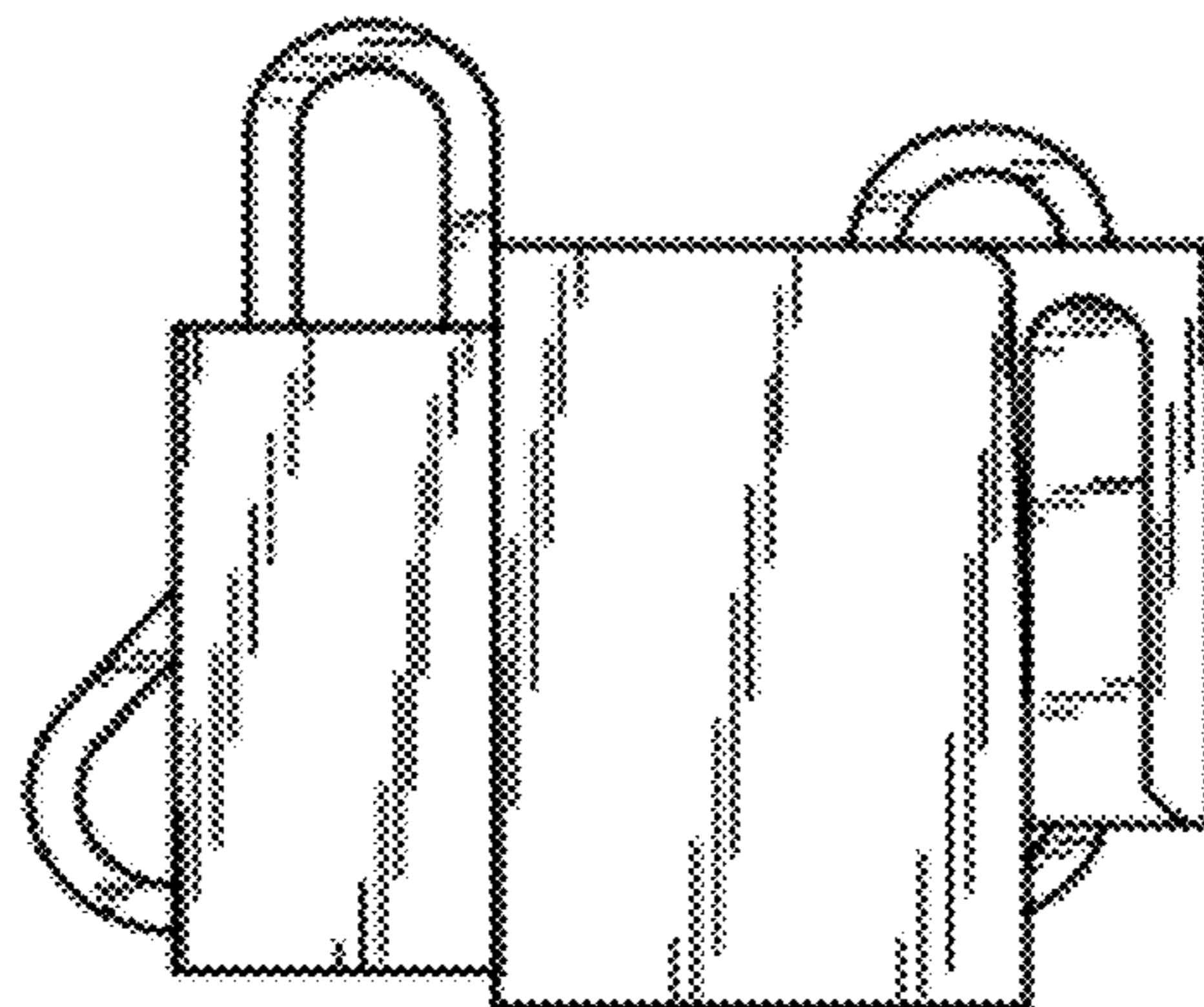


Fig.8

UNITED STATES PATENT AND TRADEMARK OFFICE
CERTIFICATE OF CORRECTION

PATENT NO. : D659,646 S
APPLICATION NO. : 29/384322
DATED : May 15, 2012
INVENTOR(S) : Kajiura et al.

Page 1 of 1

It is certified that error appears in the above-identified patent and that said Letters Patent is hereby corrected as shown below:

Title Page, Item (75) add --**Jeroen de Bruijn**-- as the third inventor

Title Page, Item (57) DESCRIPTION, after “The present application is related by subject matter to” insert --**U.S. provisional patent application Serial Number 61/437,533 filed January 28, 2011**--

Signed and Sealed this
Second Day of October, 2012

A handwritten signature in black ink that reads "David J. Kappos". The signature is written in a cursive, slightly slanted style.

David J. Kappos
Director of the United States Patent and Trademark Office