



US00D659644S

(12) **United States Design Patent**
Gretz

(10) **Patent No.:** **US D659,644 S**

(45) **Date of Patent:** **** May 15, 2012**

(54) **CABLE CONNECTOR**

(75) Inventor: **Thomas J. Gretz**, Port St. Lucie, FL
(US)

(73) Assignee: **Arlington Industries, Inc.**, Scranton, PA
(US)

(**) Term: **14 Years**

(21) Appl. No.: **29/373,528**

(22) Filed: **Apr. 20, 2011**

(51) **LOC (9) Cl.** **13-03**

(52) **U.S. Cl.** **D13/151**

(58) **Field of Classification Search** D13/133,
D13/153, 154, 156, 184; 439/271, 275, 277,
439/278, 279, 281, 283, 445, 447, 578, 583,
439/584, 927

See application file for complete search history.

(56) **References Cited**

U.S. PATENT DOCUMENTS

D296,548 S * 7/1988 Laurie D13/156
D326,259 S * 5/1992 Studenski D13/156
D326,444 S * 5/1992 Studenski D13/152

D362,048 S * 9/1995 Lang D23/262
D432,088 S * 10/2000 Malak D13/154
6,335,488 B1 * 1/2002 Gretz 174/372
6,849,803 B1 * 2/2005 Gretz 174/665
D510,910 S * 10/2005 Chung D13/154
D603,939 S * 11/2009 McPheat D23/262
D632,763 S * 2/2011 McCarthy D23/262
D642,990 S * 8/2011 Montena et al. D13/156
2009/0258509 A1 * 10/2009 Brodeur 439/22

* cited by examiner

Primary Examiner — Thomas Johannes

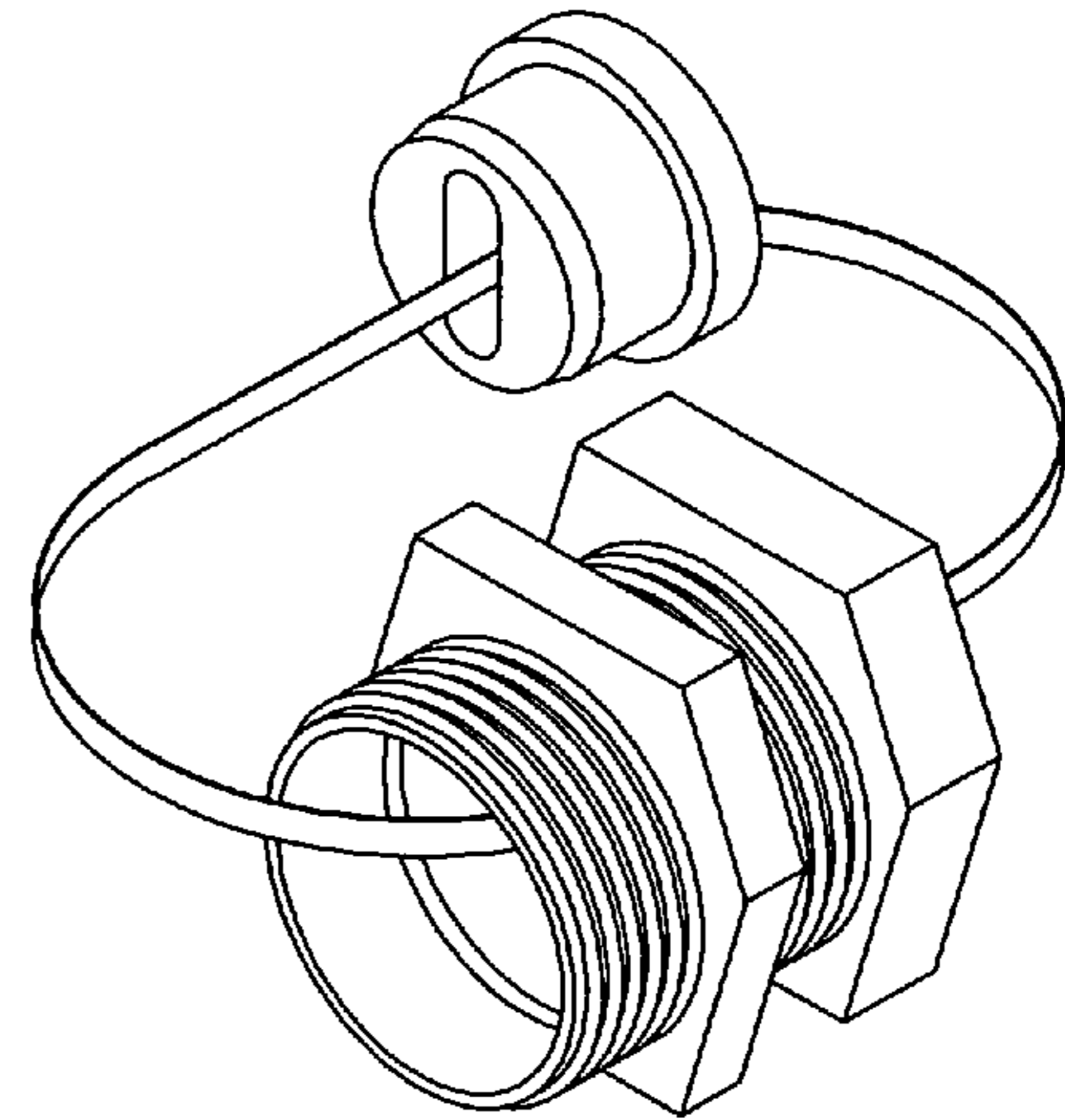
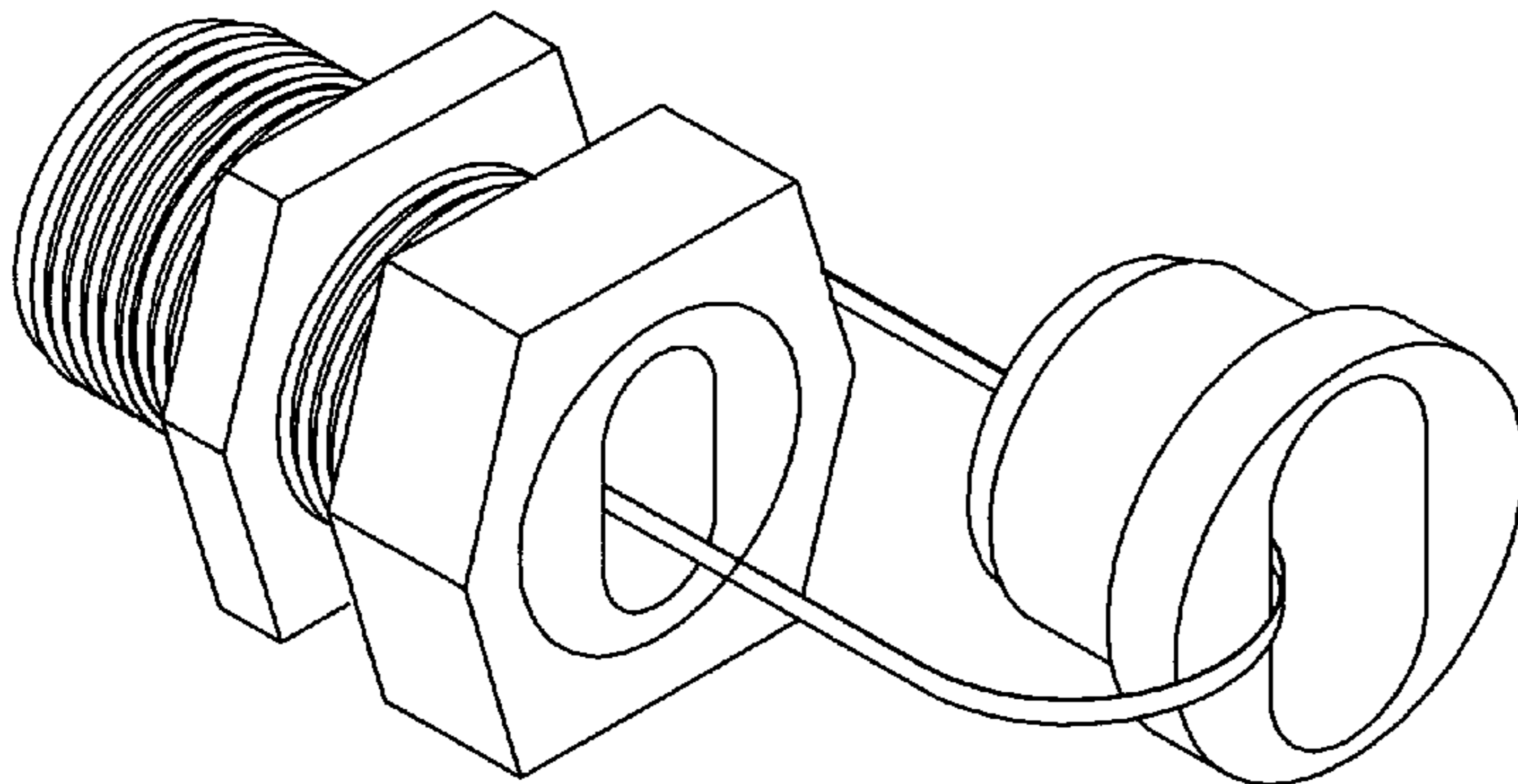
(57) **CLAIM**

The ornamental design for a cable connector, as shown and described.

DESCRIPTION

FIG. 1 is a left-side perspective view of a cable connector showing my new design;
FIG. 2 is a right-side perspective view thereof;
FIG. 3 is a rear perspective view thereof;
FIG. 4 is a top plan view thereof;
FIG. 5 is a bottom plan view thereof; and,
FIG. 6 is a rear view thereof.

1 Claim, 3 Drawing Sheets



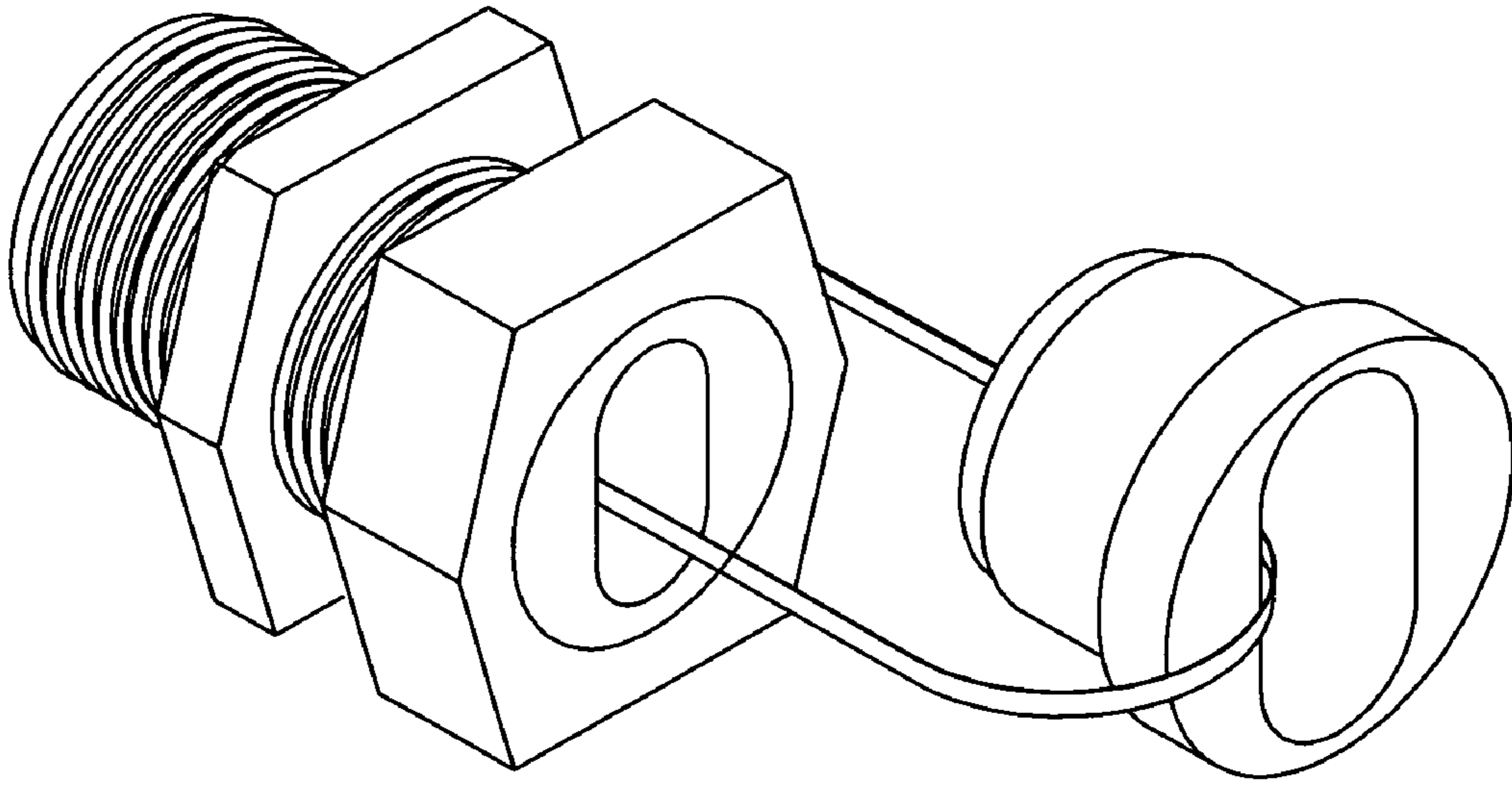


FIG. 1

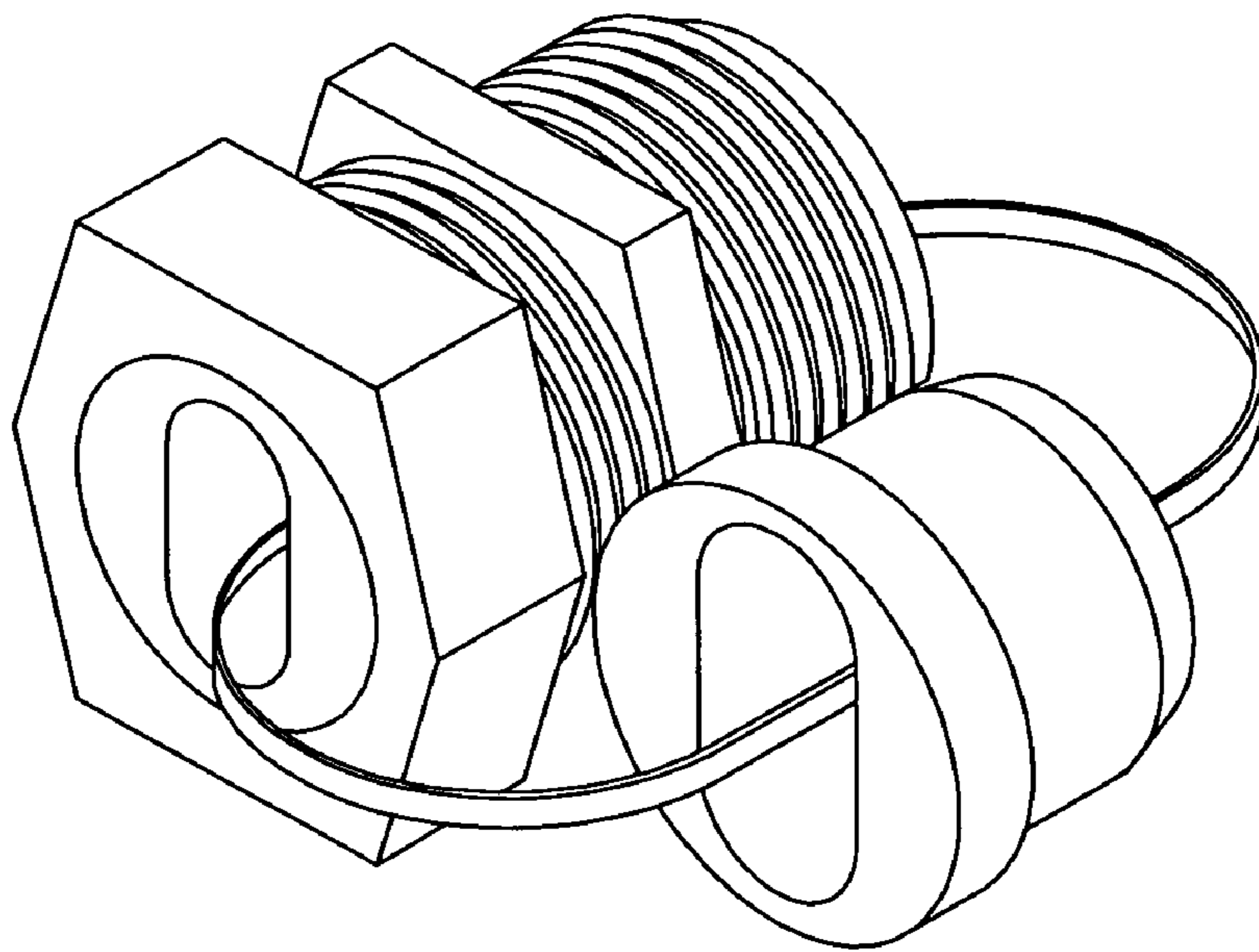


FIG. 2

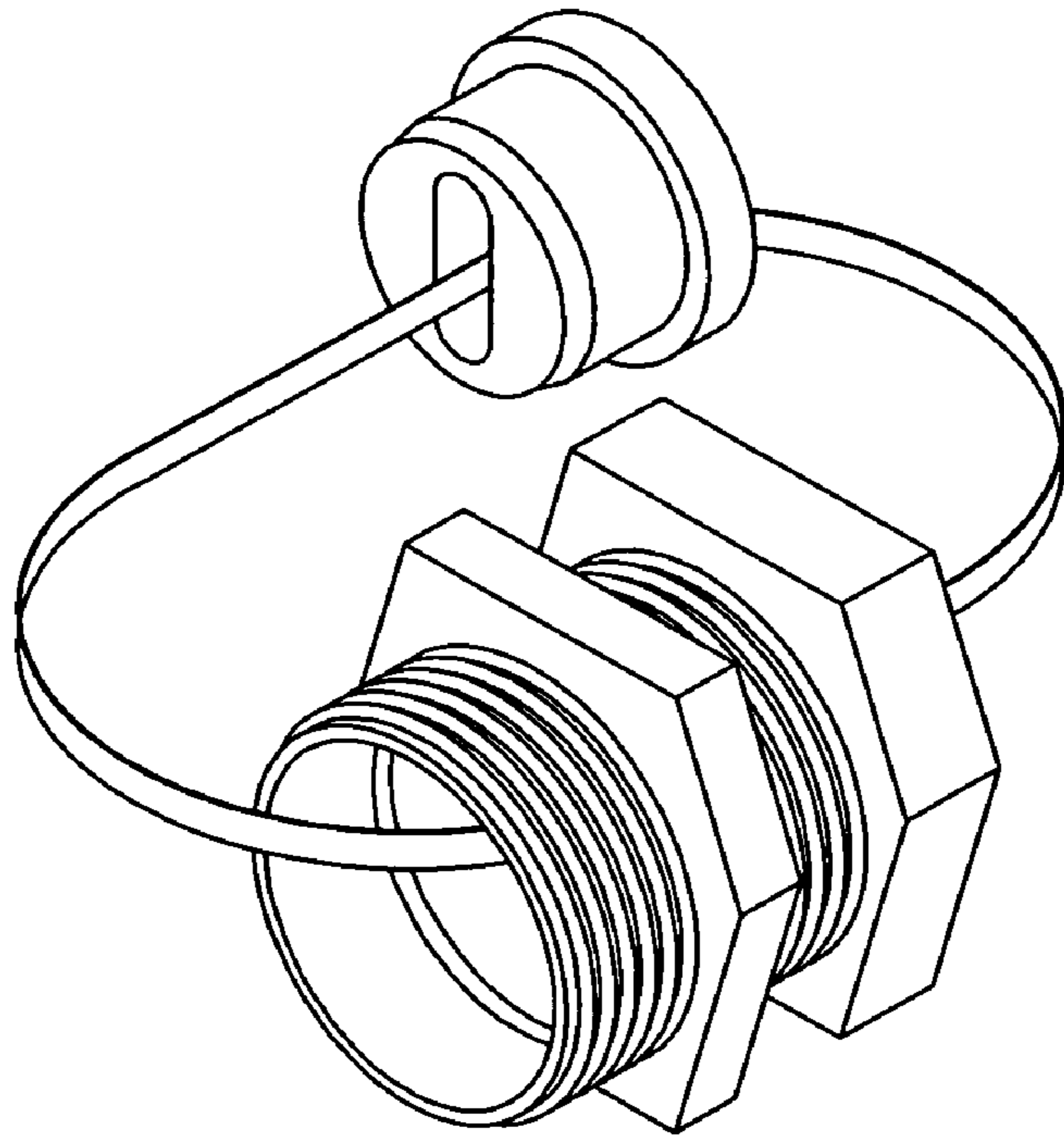


FIG. 3

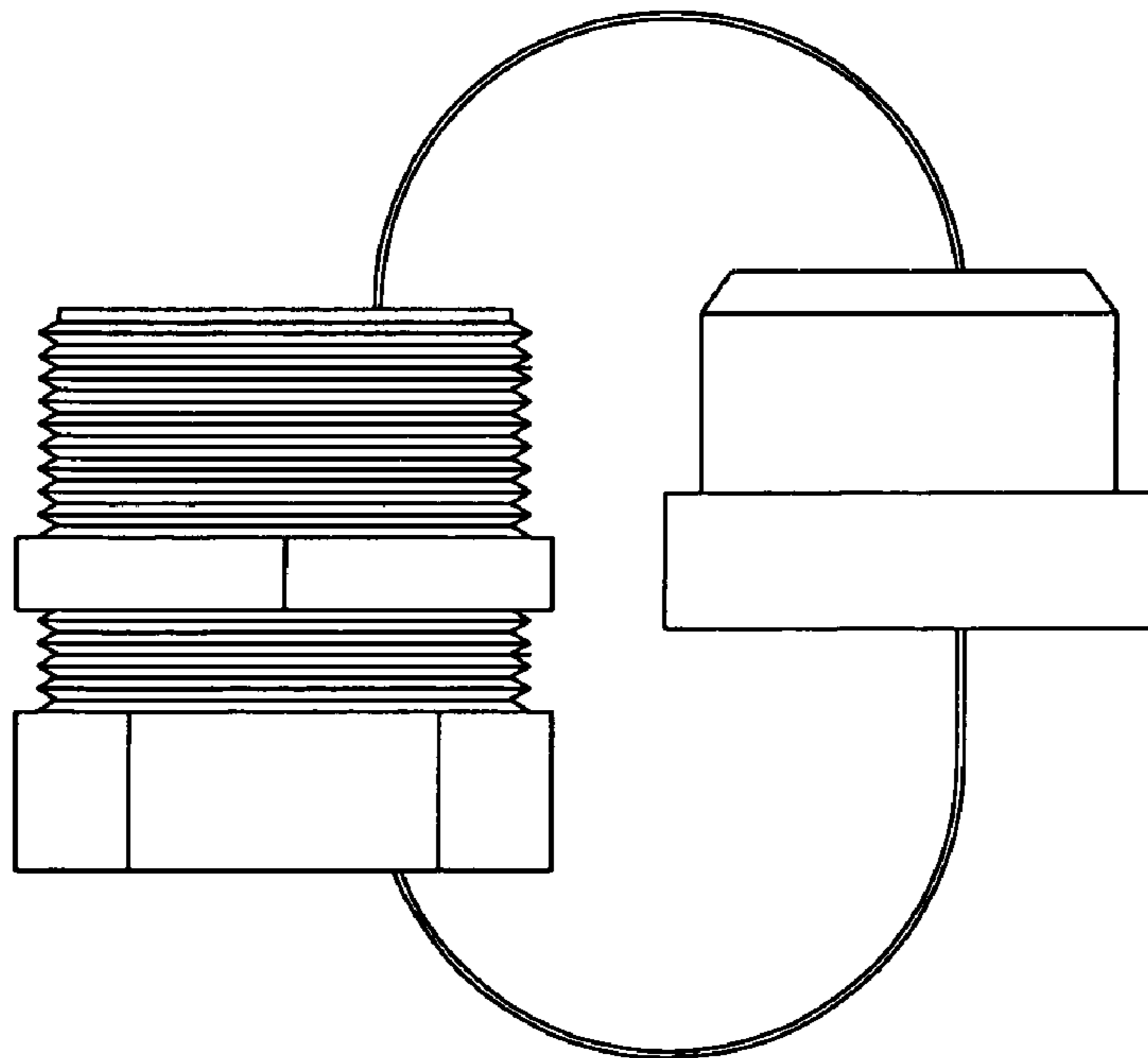


FIG. 4

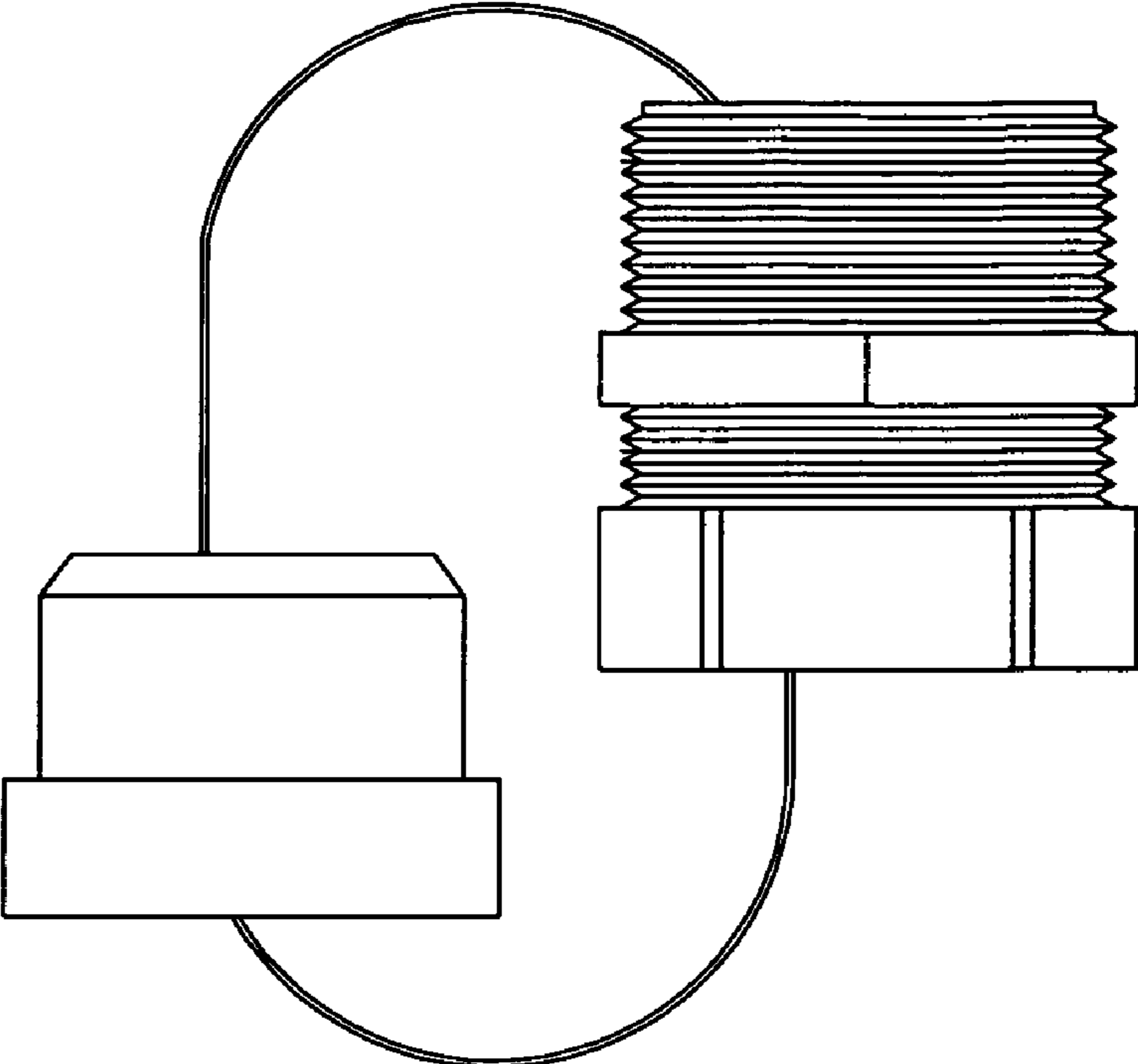


FIG. 5

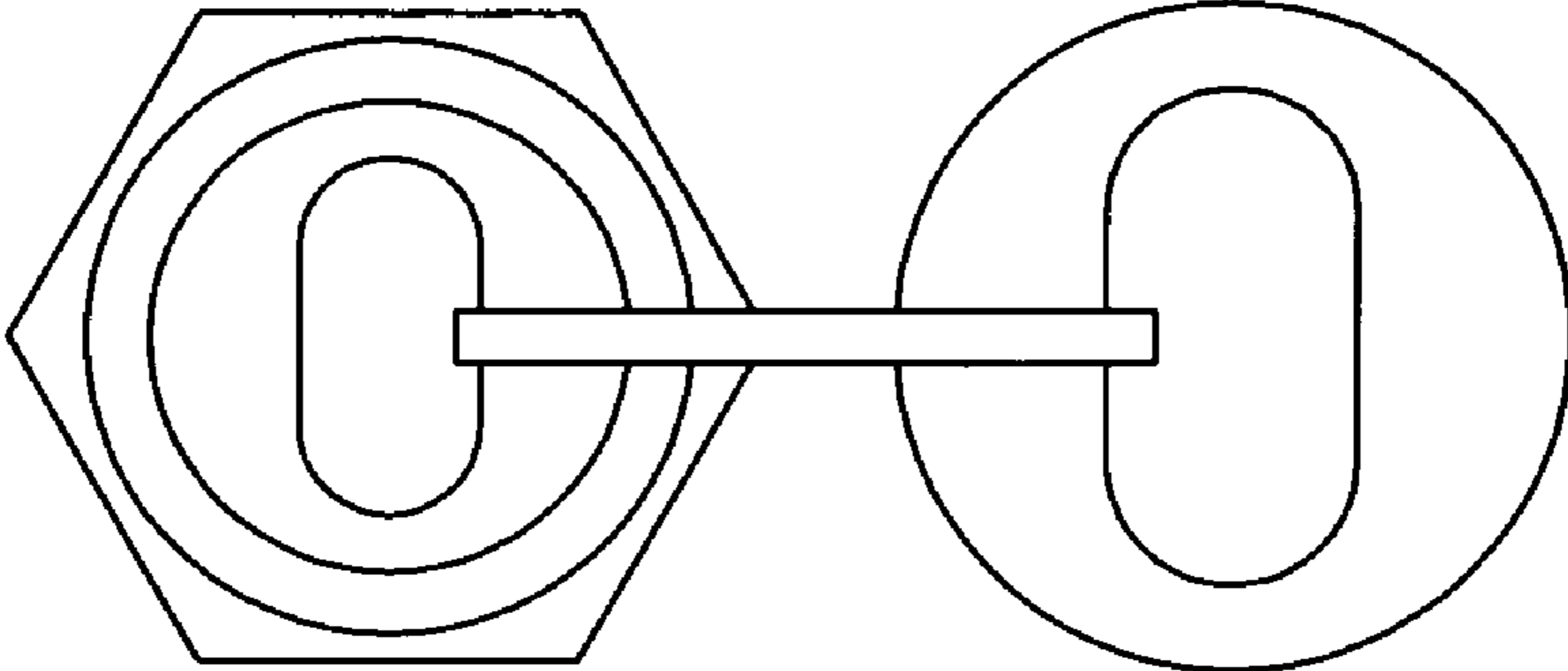


FIG. 6