

US00D659641S

(12) **United States Design Patent**
Kreitzer et al.

(10) **Patent No.:** **US D659,641 S**

(45) **Date of Patent:** **** May 15, 2012**

(54) **KEYED RECEPTACLE FOR
ACCESSORY-HOST INTERFACE**

Primary Examiner — Daniel Bui
(74) *Attorney, Agent, or Firm* — William K. Bucher

(75) Inventors: **Robert R. Kreitzer**, Tigard, OR (US);
Kevin C. Ayers, Beaverton, OR (US);
Marc A. Gessford, North Plains, OR
(US); **J. Steven Lyford**, Portland, OR
(US); **Jim L. Martin**, Tigard, OR (US)

(57) **CLAIM**
The ornamental design of a keyed receptacle for accessory-
host interface, as shown and described.

(73) Assignee: **Tektronix, Inc.**, Beaverton, OR (US)

(**) Term: **14 Years**

DESCRIPTION

(21) Appl. No.: **29/369,993**

(22) Filed: **Sep. 16, 2010**

(51) **LOC (9) Cl.** **13-03**

(52) **U.S. Cl.** **D13/133; D13/154**

(58) **Field of Classification Search** D13/133,
D13/134, 135, 147, 154, 184, 199; D14/217,
D14/356, 358, 369, 383, 385, 432, 433, 439,
D14/440, 447, 454; D10/76, 78, 80; 439/180,
439/246, 252, 278, 374, 378, 379, 380, 381,
439/527, 529, 530, 533, 892, 894, 630
See application file for complete search history.

FIG. 1 is a front perspective view of a first embodiment of a
keyed receptacle for accessory-host interface showing our
new design;
FIG. 2 is a front elevation view thereof;
FIG. 3 is a front perspective view of a second embodiment of
a keyed receptacle for accessory-host interface showing our
new design;
FIG. 4 is a front elevation view thereof
FIG. 5 is a front perspective view of a third embodiment of a
keyed receptacle for accessory-host interface showing our
new design;
FIG. 6 is a front elevation view thereof
FIG. 7 is a front perspective view of a fourth embodiment of
a keyed receptacle for accessory-host interface showing our
new design;
FIG. 8 is a front elevation view thereof
FIG. 9 is a front perspective view of a fifth embodiment of a
keyed receptacle for accessory-host interface showing our
new design; and,
FIG. 10 is a front elevation view thereof.
The broken line portion of the figure drawings is included for
the purpose of illustrating environment and forms no part of
the claimed design.

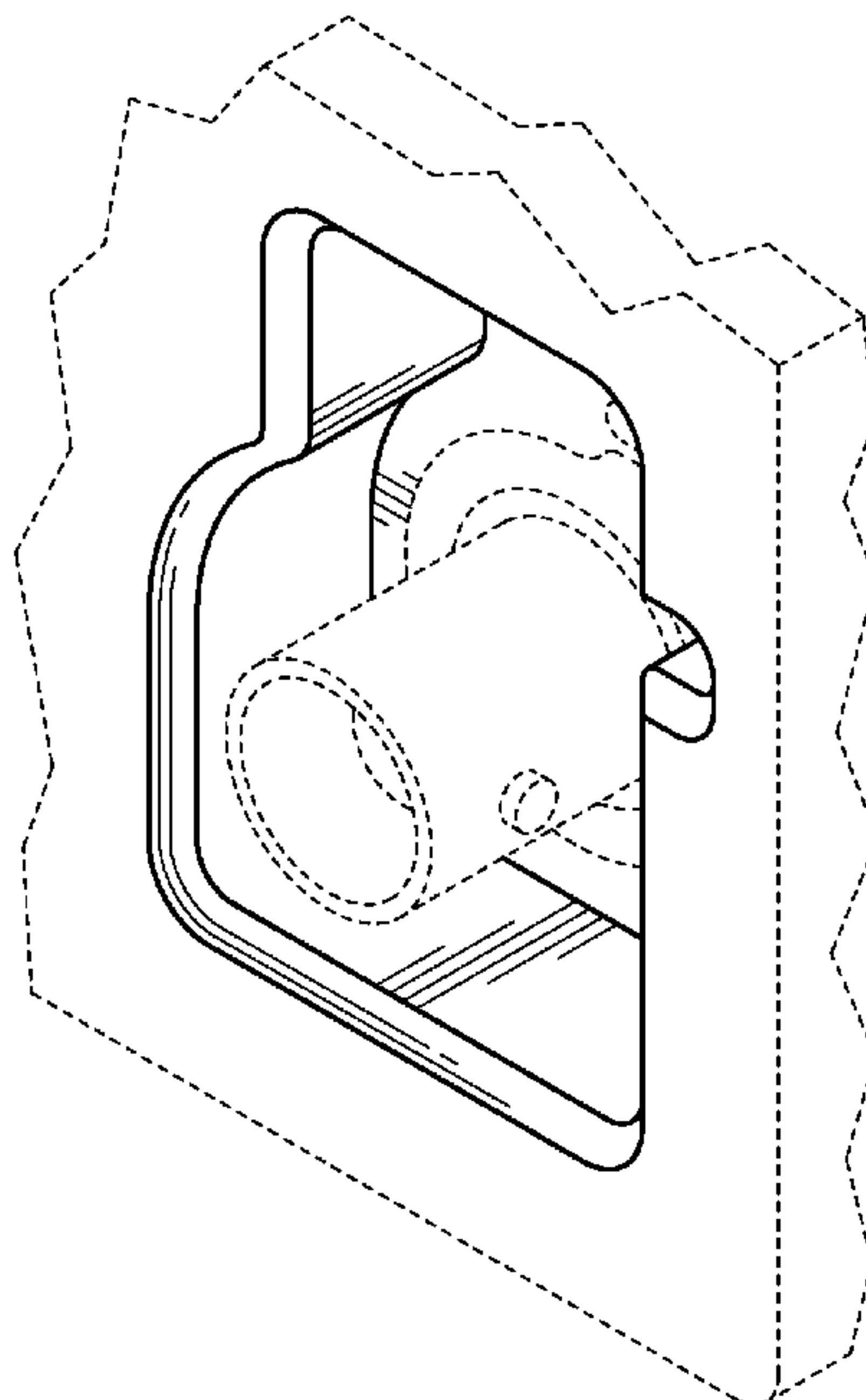
(56) **References Cited**

U.S. PATENT DOCUMENTS

D370,889 S *	6/1996	Anthony	D13/146
D460,371 S *	7/2002	Wrisley et al.	D10/78
D514,004 S *	1/2006	Wrisley	D10/76
D556,066 S *	11/2007	Hoang et al.	D10/76
D566,046 S *	4/2008	Gabel et al.	D13/154
D566,047 S *	4/2008	Gabel et al.	D13/154
D643,841 S *	8/2011	Lyford et al.	D14/433
D649,970 S *	12/2011	Lyford et al.	D14/433
D649,971 S *	12/2011	Lyford et al.	D14/433

* cited by examiner

1 Claim, 10 Drawing Sheets



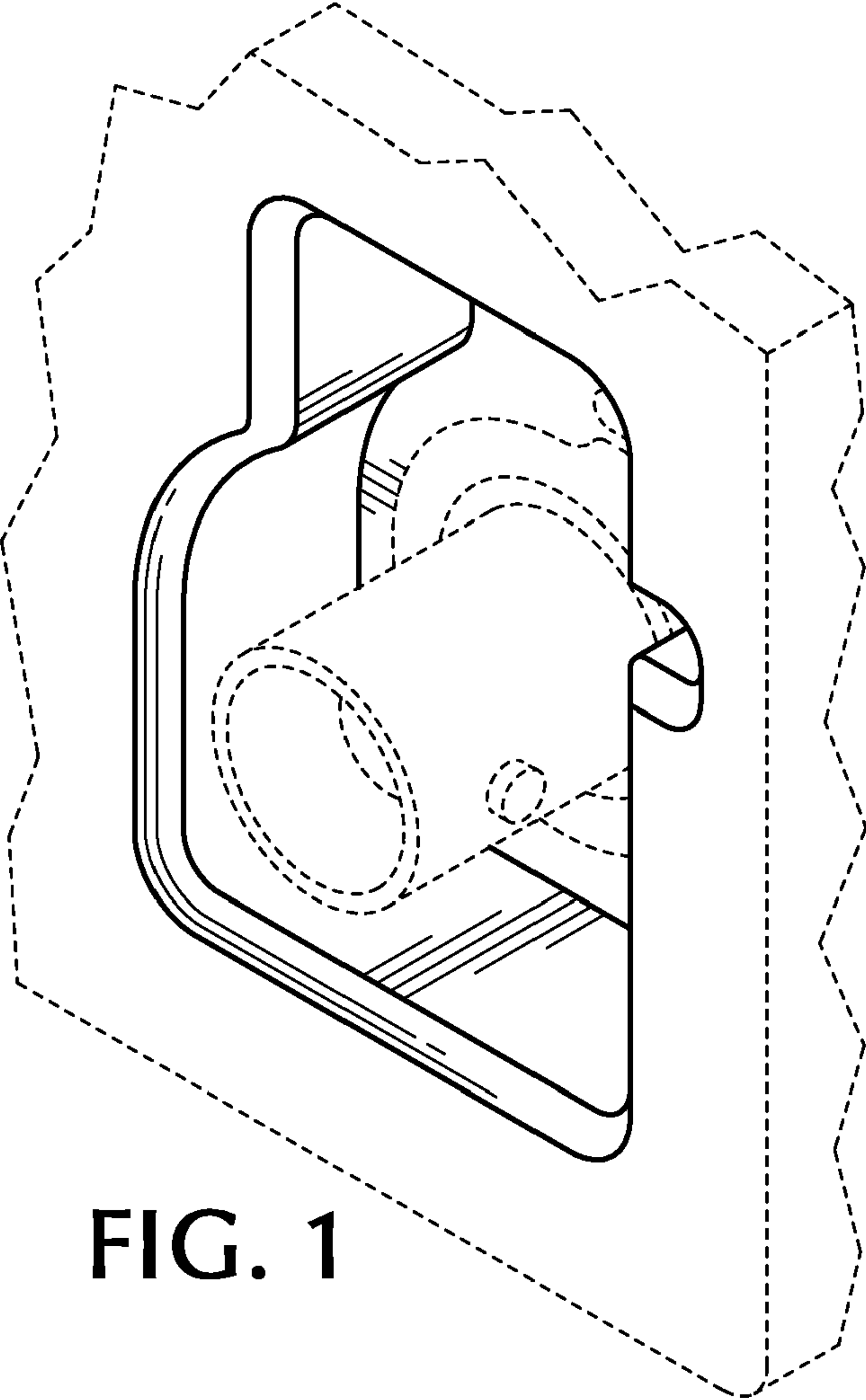


FIG. 1

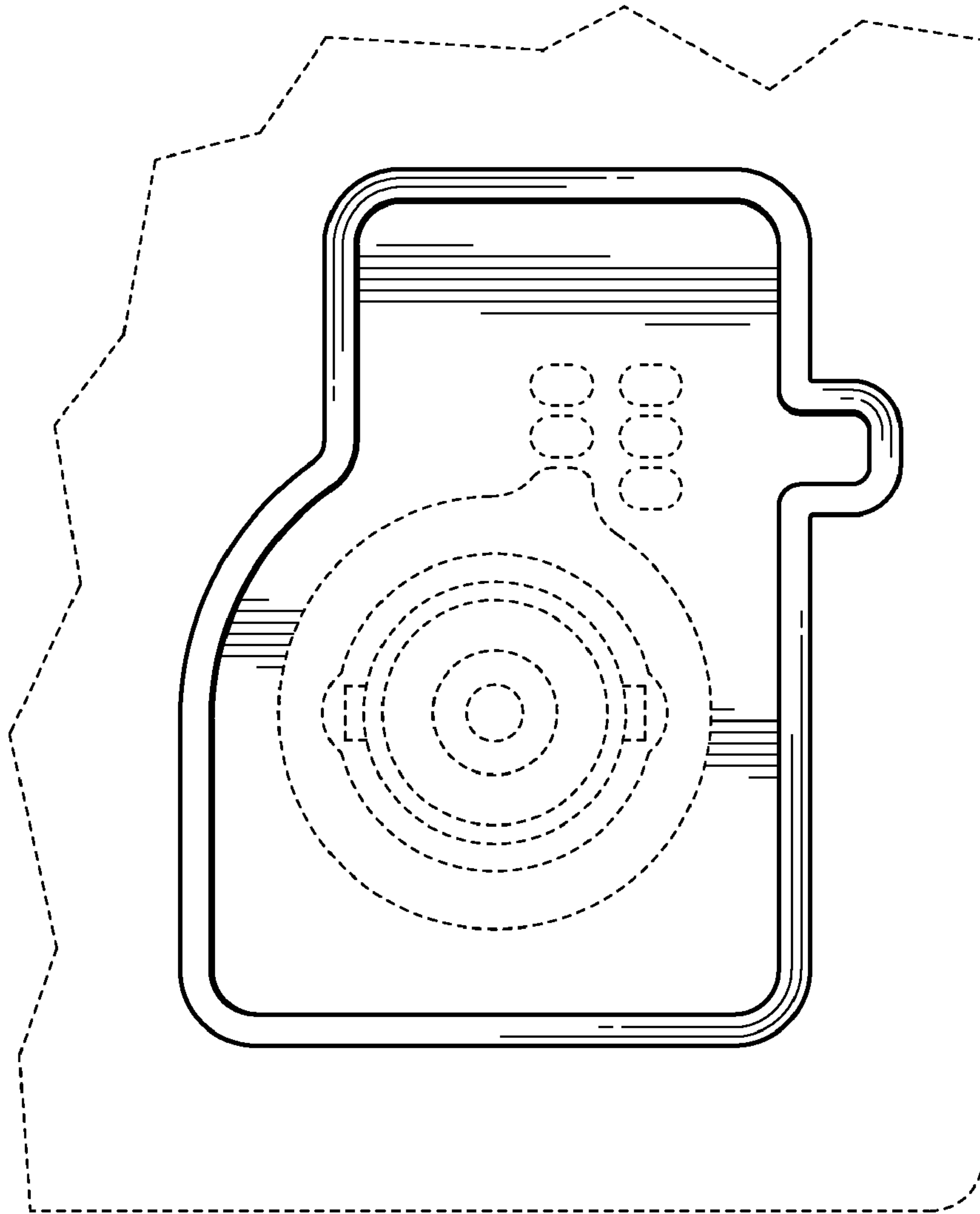


FIG. 2

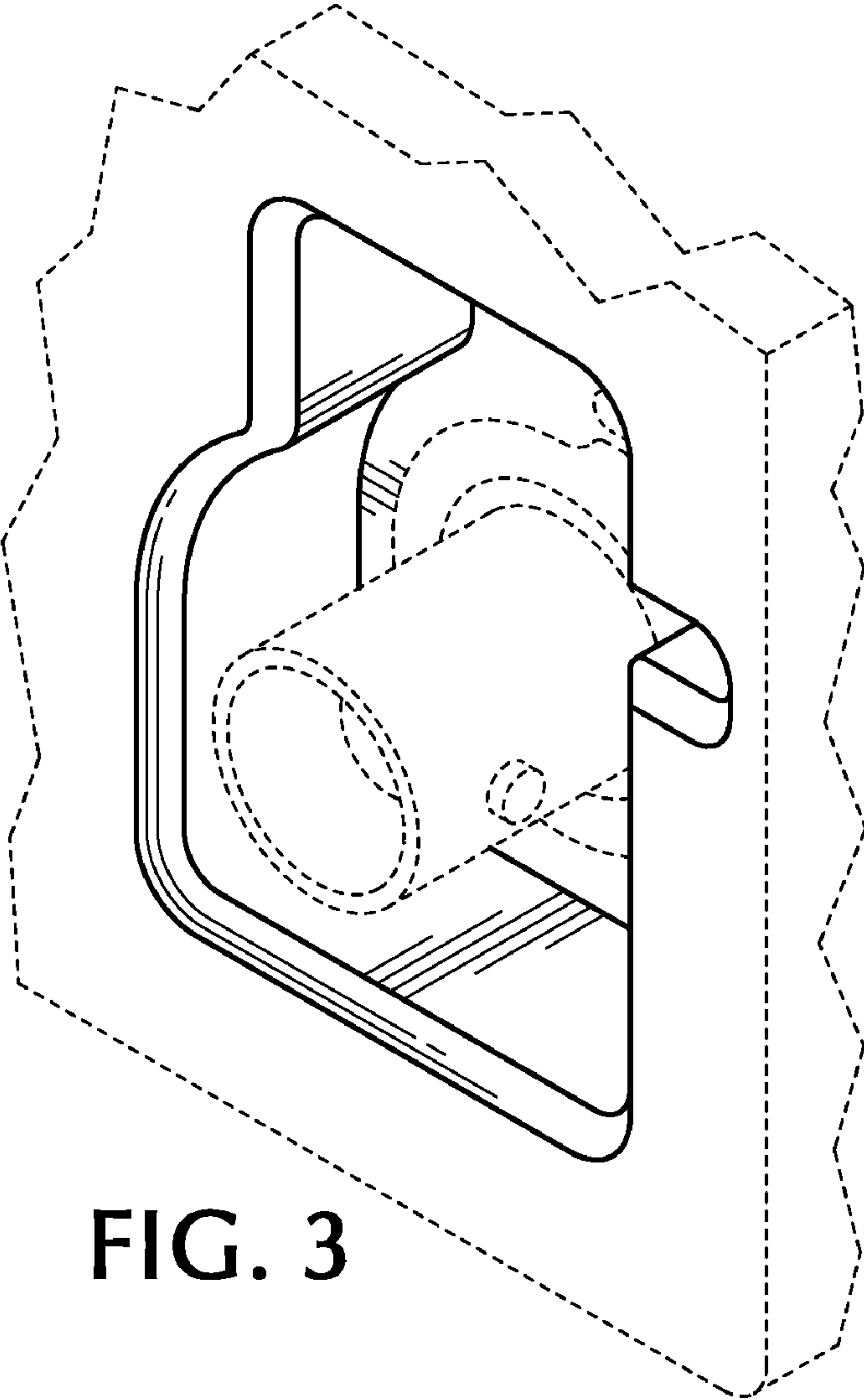


FIG. 3

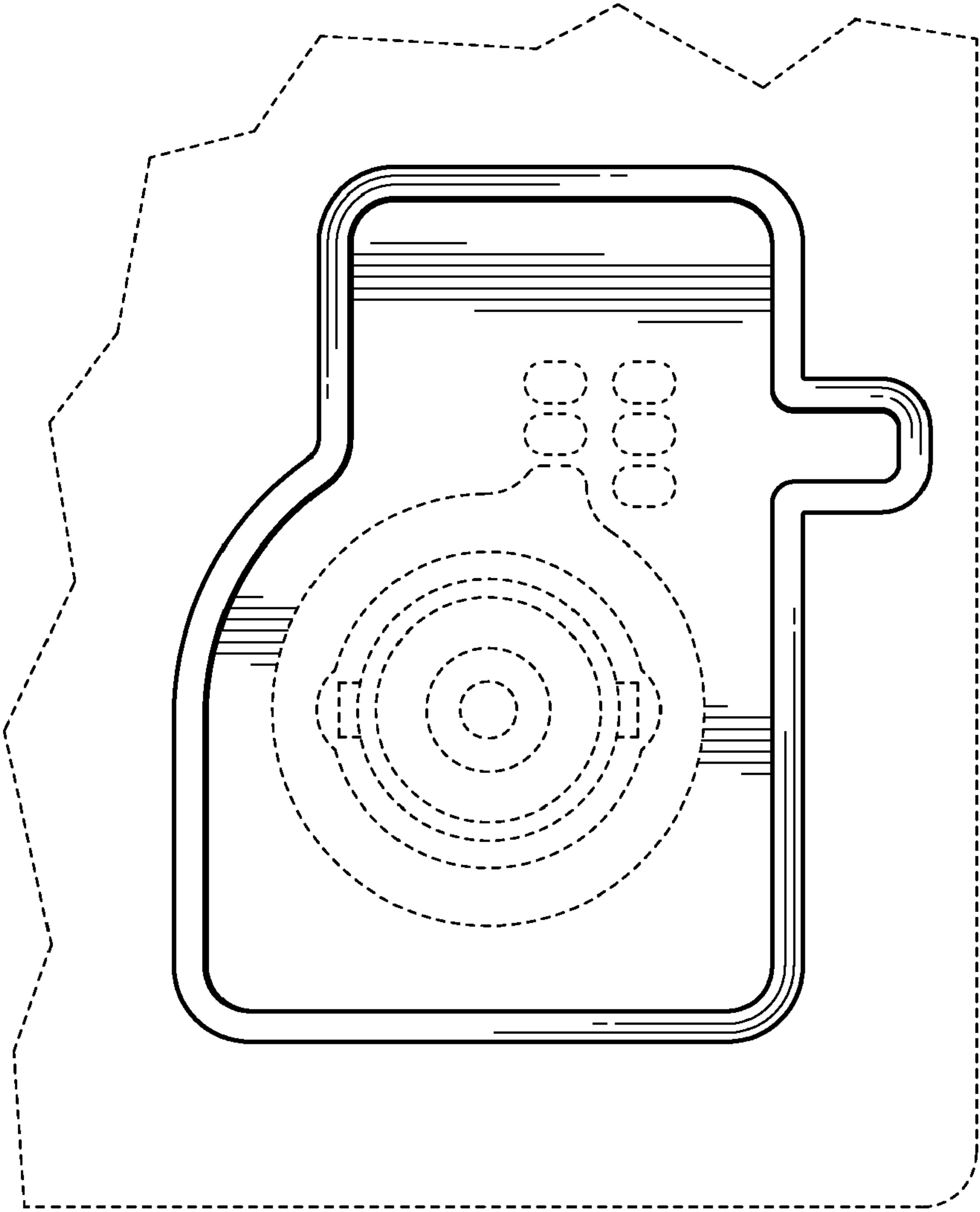


FIG. 4

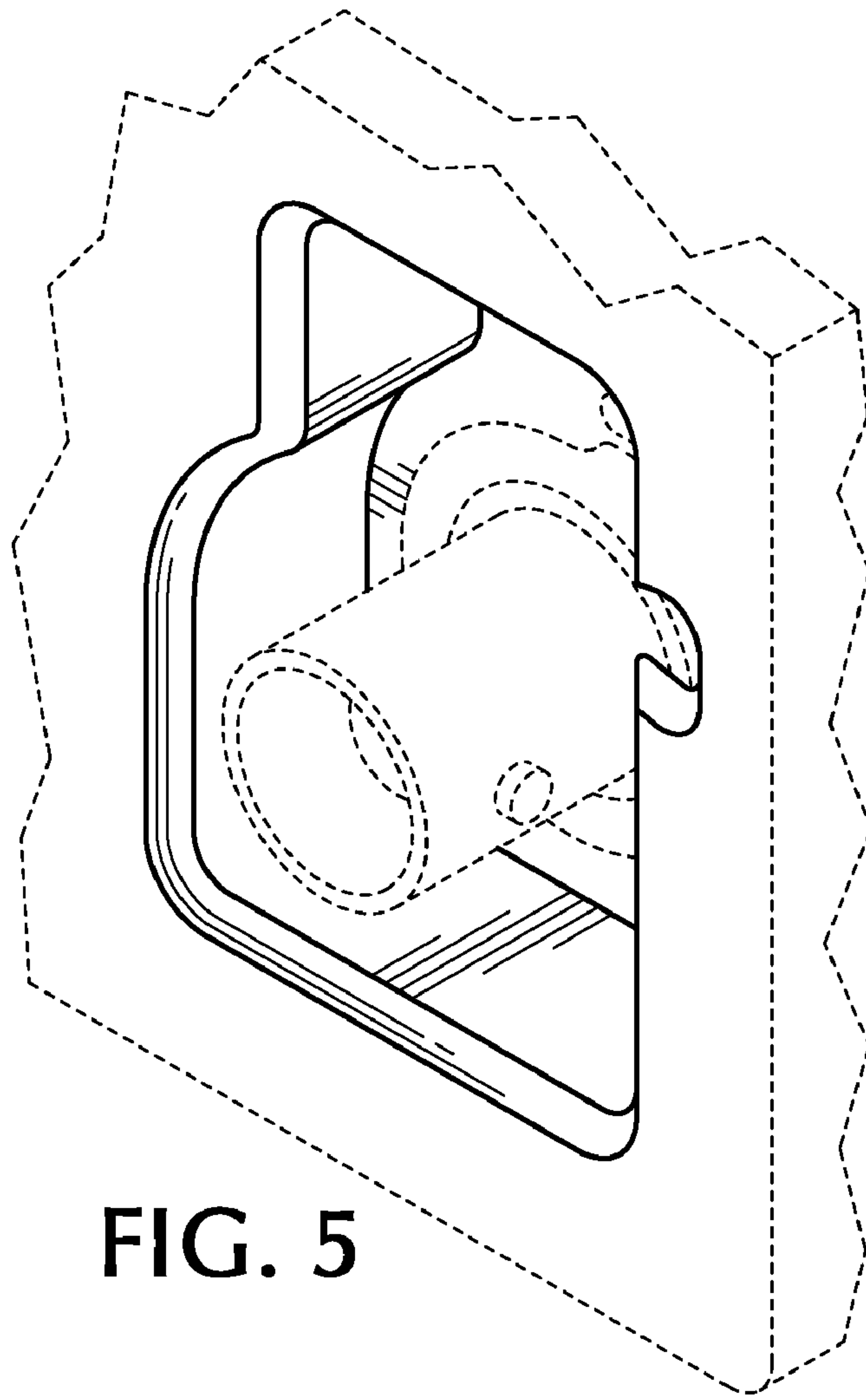


FIG. 5

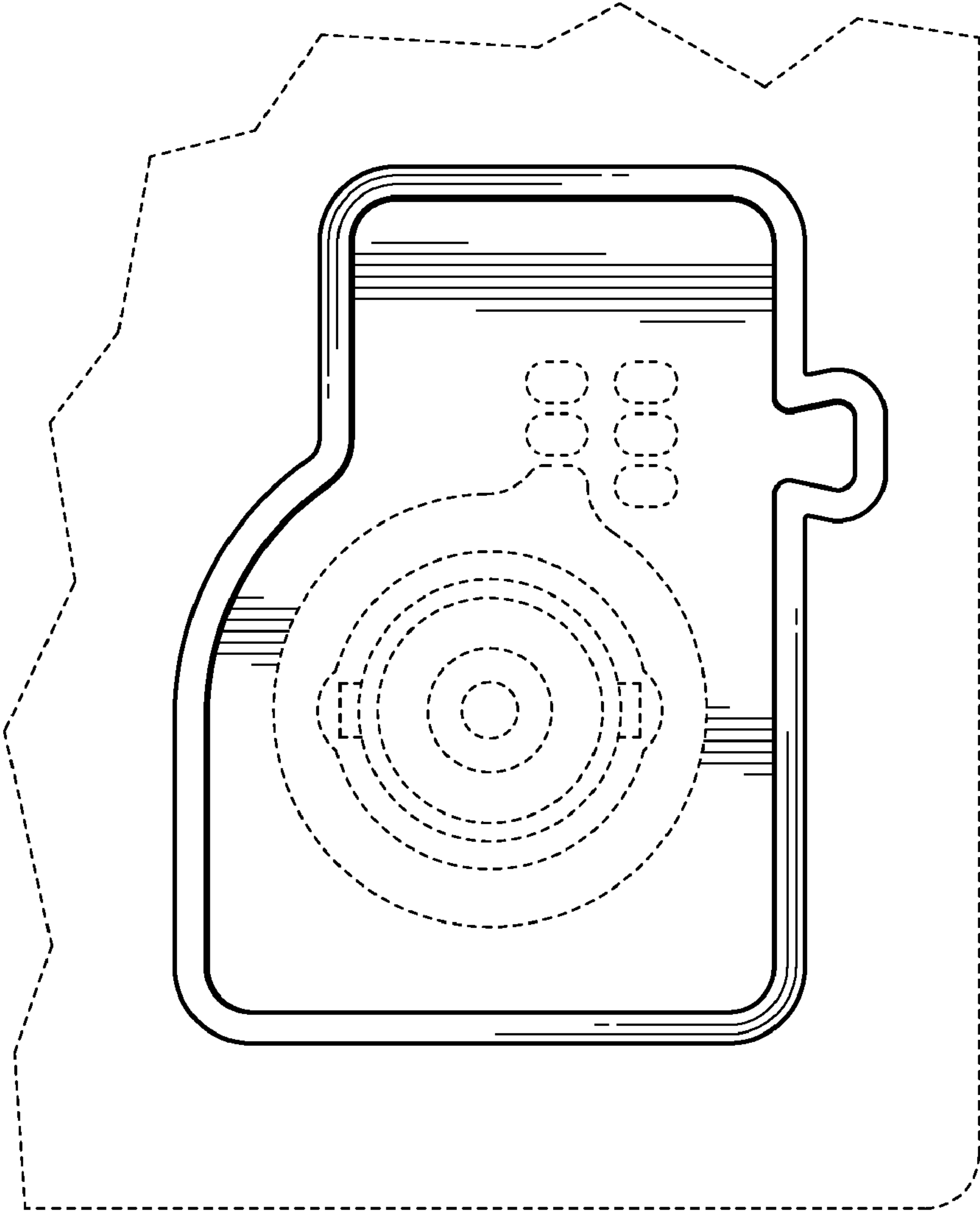


FIG. 6

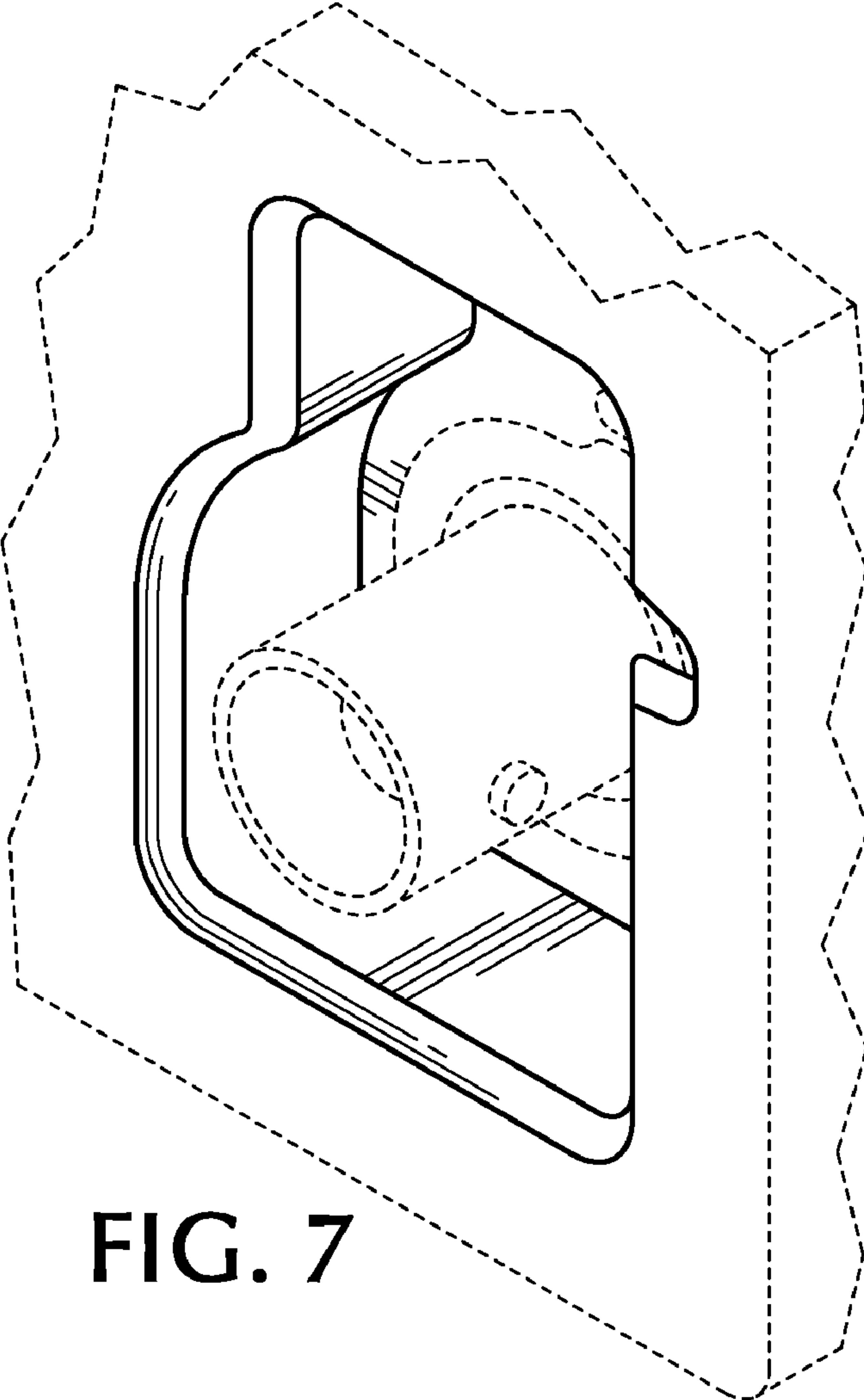


FIG. 7

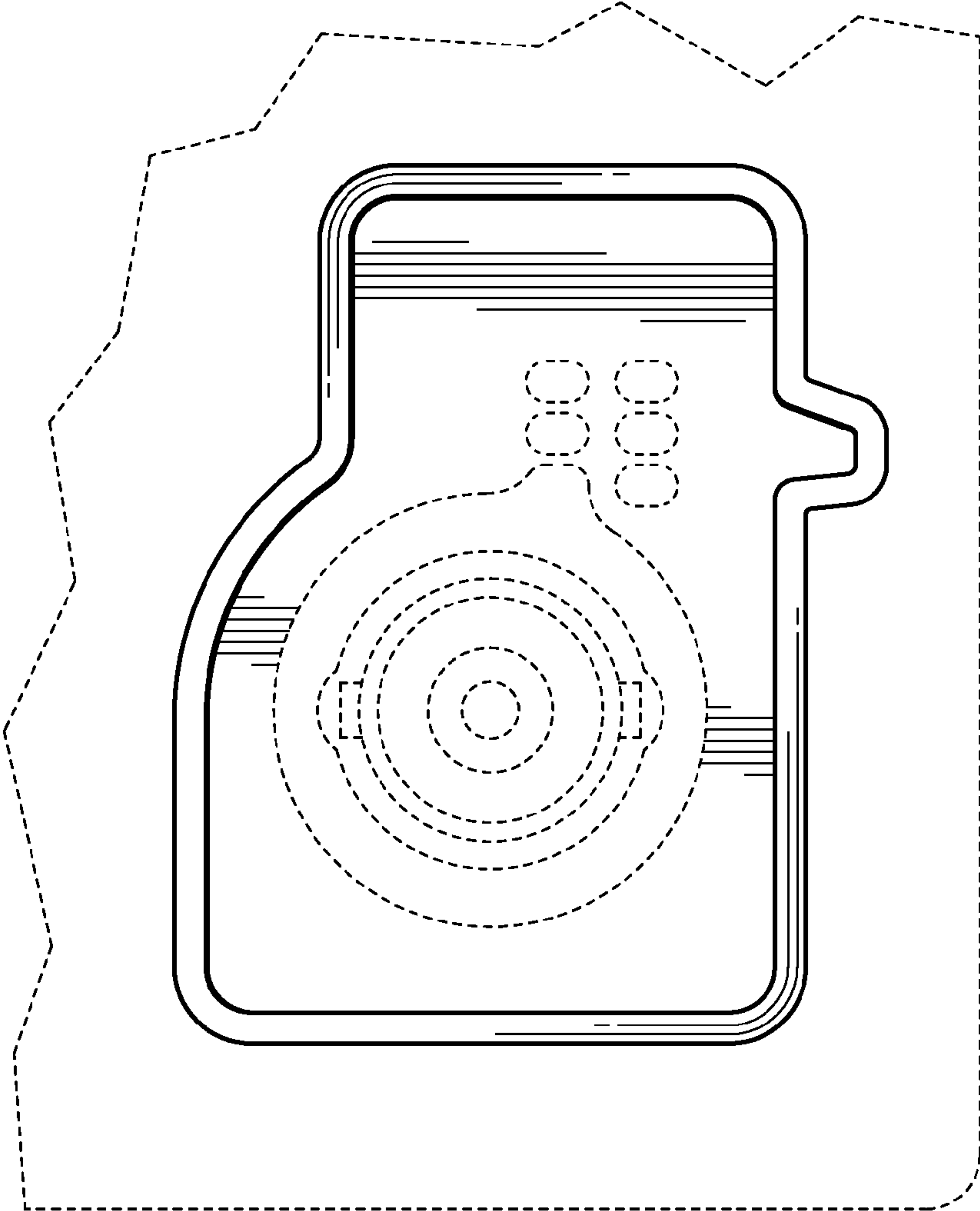


FIG. 8

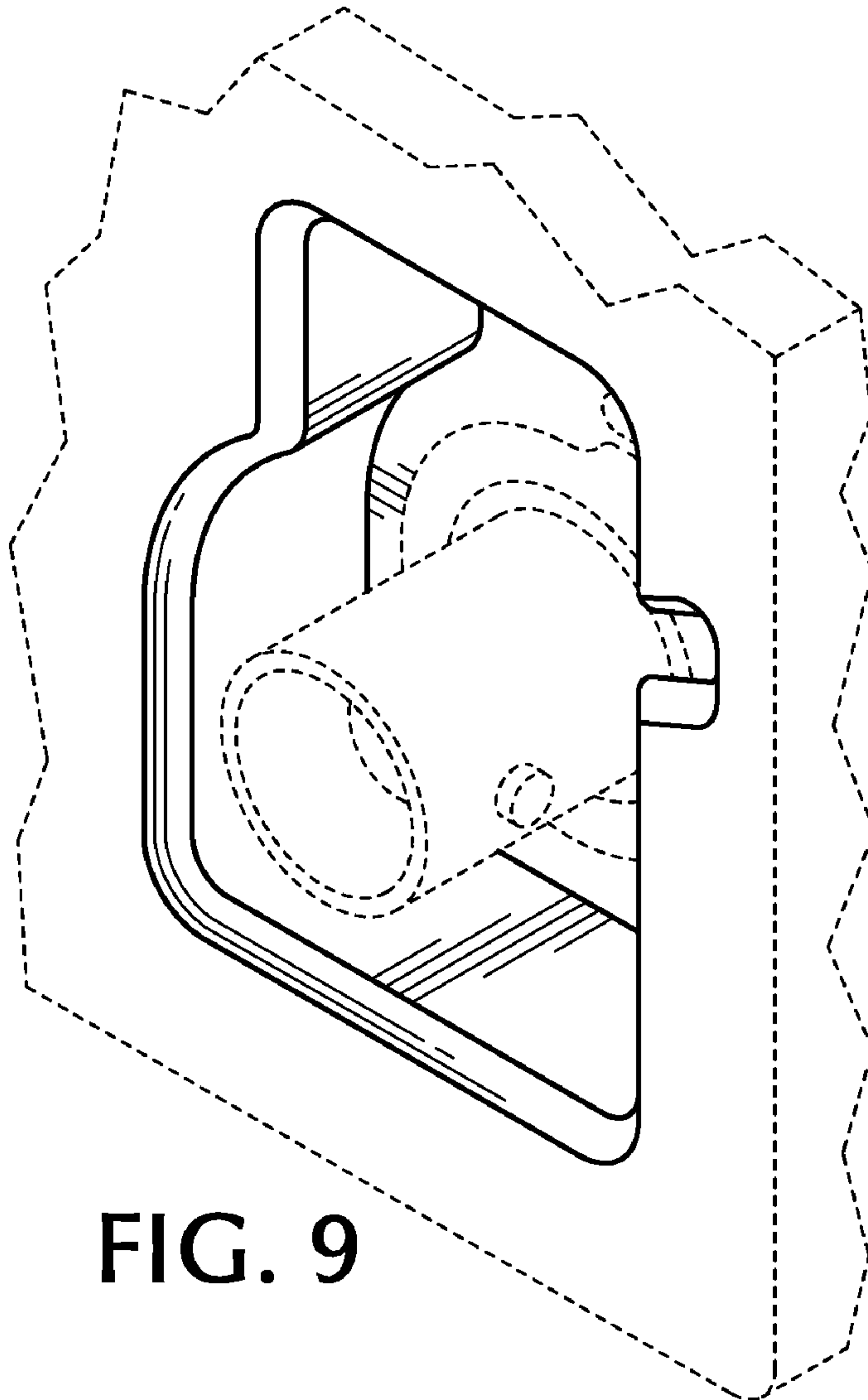


FIG. 9

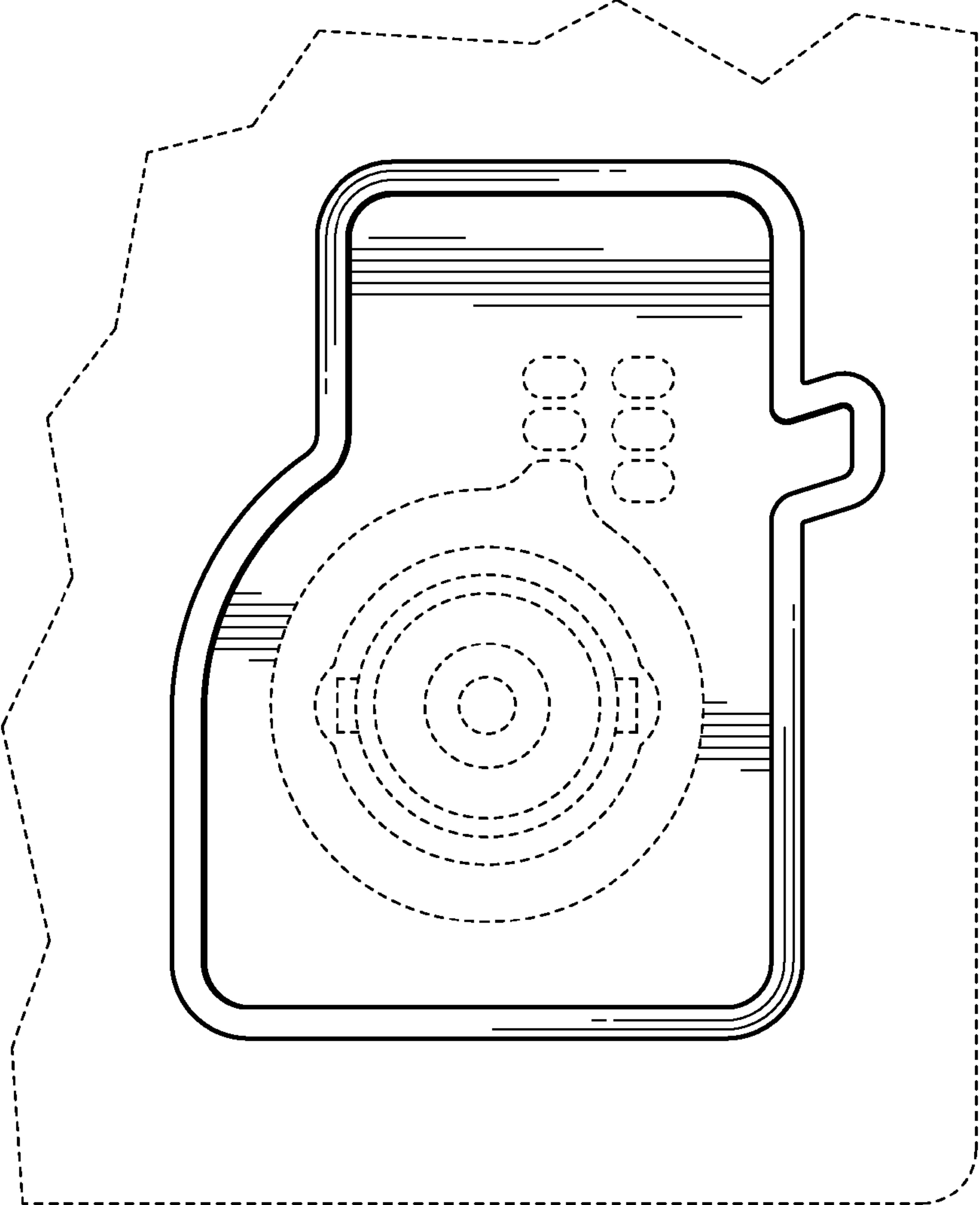


FIG. 10