



US00D659640S

(12) **United States Design Patent**  
**Tseng**

(10) **Patent No.:** **US D659,640 S**

(45) **Date of Patent:** **\*\* May 15, 2012**

(54) **LUMINAIRE DISCONNECT**

(75) Inventor: **Peter Tseng**, Taipei Hsien (TW)

(73) Assignee: **Heavy Power Co. Ltd.**, Taipei Hsien (TW)

(\*\*) Term: **14 Years**

(21) Appl. No.: **29/366,356**

(22) Filed: **Jul. 23, 2010**

(51) **LOC (9) Cl.** ..... **13-03**

(52) **U.S. Cl.** ..... **D13/133**

(58) **Field of Classification Search** ..... D13/133,  
D13/134, 135, 136, 147, 154, 184, 199; 439/278,  
439/280, 374, 375, 378, 488, 489, 491, 527,  
439/529, 533, 892, 894, 607.1, 607.4, 607.5,  
439/607.6, 607.17, 607.21, 607.23, 607.25,  
439/607.34, 607.41, 607.53, 660  
See application file for complete search history.

(56) **References Cited**

**U.S. PATENT DOCUMENTS**

D555,594 S \* 11/2007 So ..... D13/133  
D612,807 S \* 3/2010 Mancini et al. .... D13/133  
D625,688 S \* 10/2010 So ..... D13/133  
D642,528 S \* 8/2011 Gravalin et al. .... D13/133

D643,817 S \* 8/2011 Ando et al. .... D13/133  
D652,798 S \* 1/2012 Sekine et al. .... D13/133  
D654,026 S \* 2/2012 Shioda et al. .... D13/133

\* cited by examiner

*Primary Examiner* — Daniel Bui

(74) *Attorney, Agent, or Firm* — Allen, Dyer, Doppelt,  
Milbrath & Gilchrist, P.A.

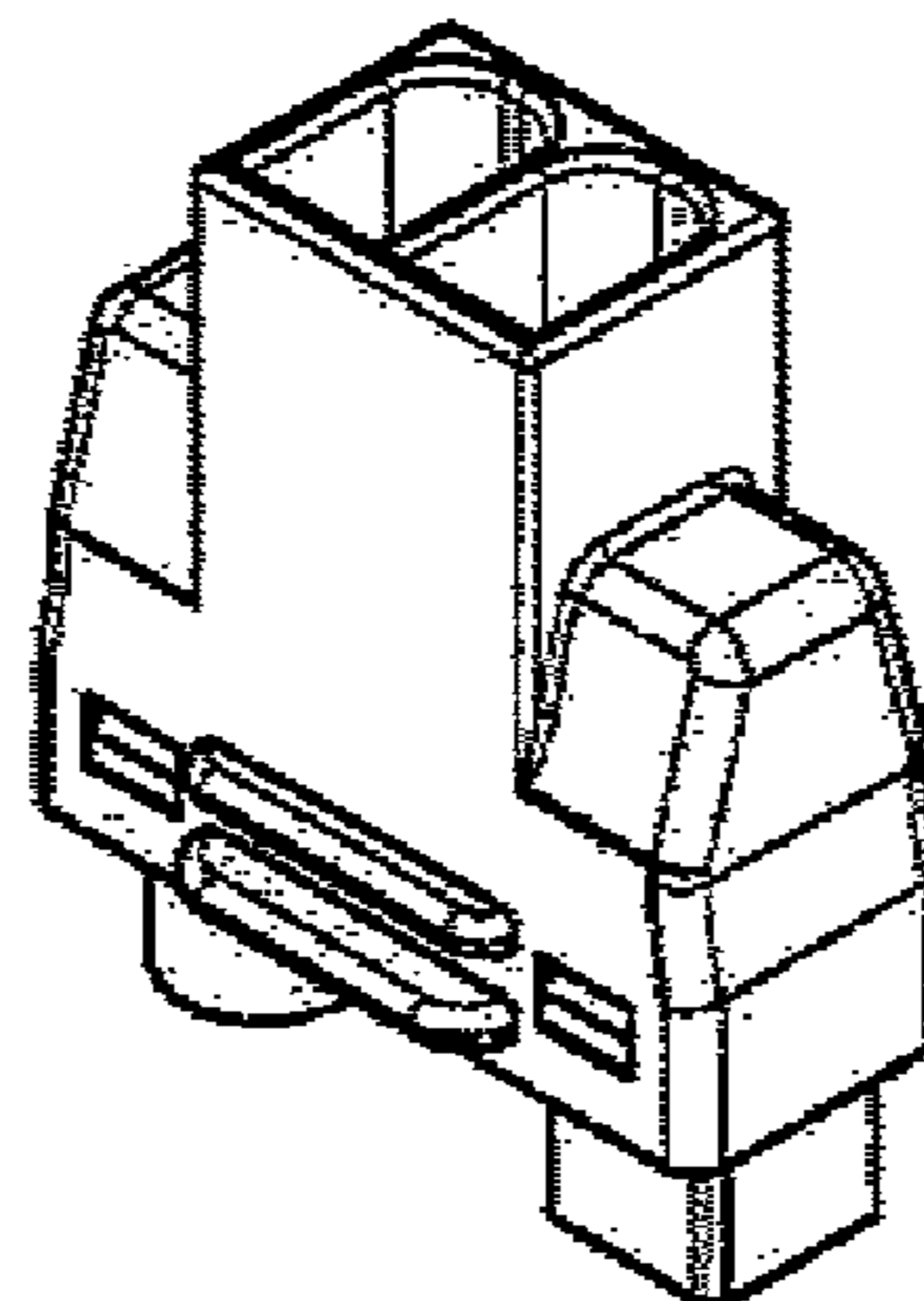
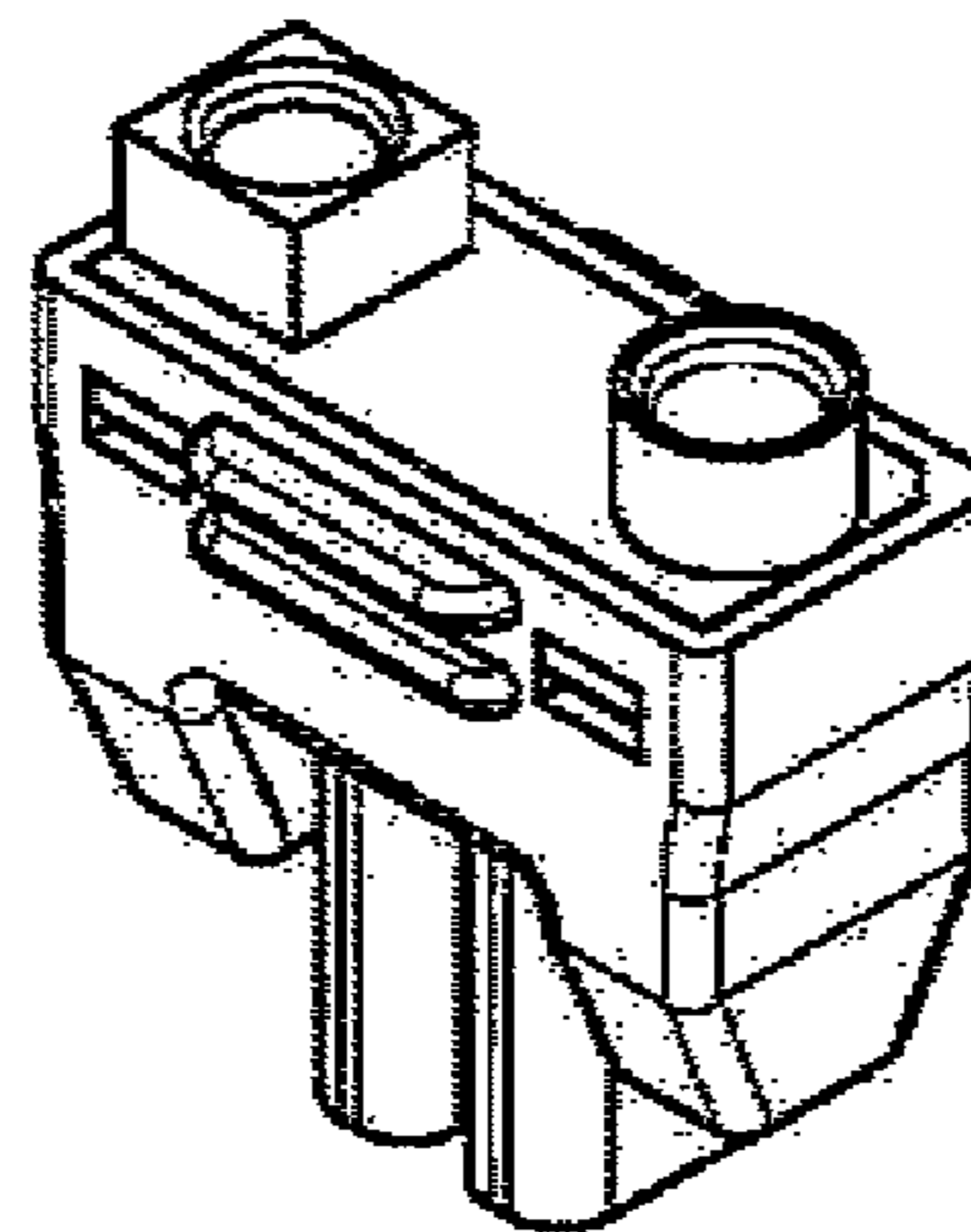
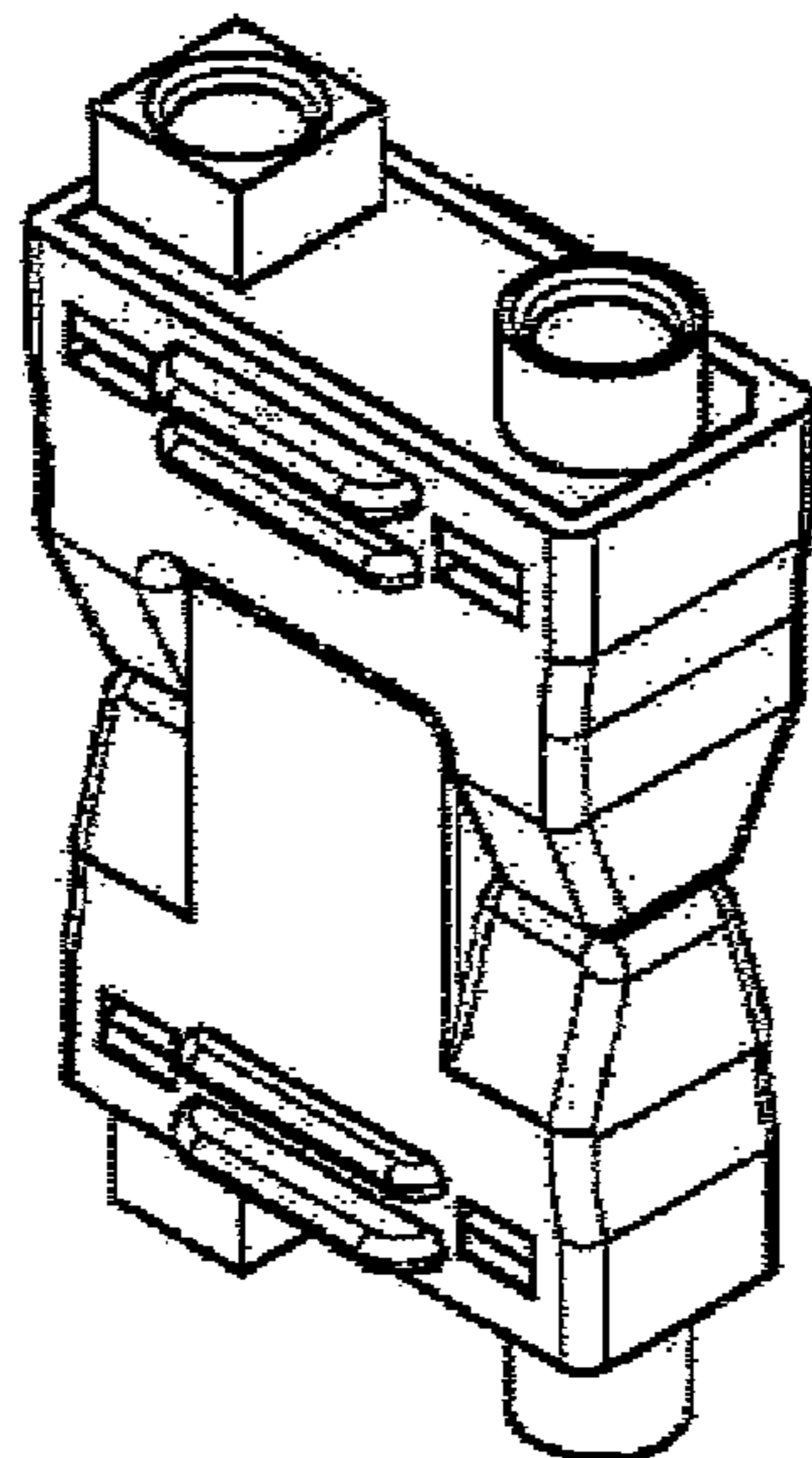
(57) **CLAIM**

The ornamental design for a luminaire disconnect, as shown and described.

**DESCRIPTION**

FIG. 1 is a front elevation view of a luminaire disconnect, showing my new design;  
FIG. 2 is a back elevation view thereof;  
FIG. 3 is a right side elevation view thereof;  
FIG. 4 is a left side elevation view thereof;  
FIG. 5 is a bottom plan view thereof;  
FIG. 6 is a top plan view thereof;  
FIG. 7 is a bottom, front and left side perspective view thereof; and,  
FIG. 8 is a bottom, front and left side perspective view thereof, with the top and bottom portions disconnect from each other.

**1 Claim, 2 Drawing Sheets**



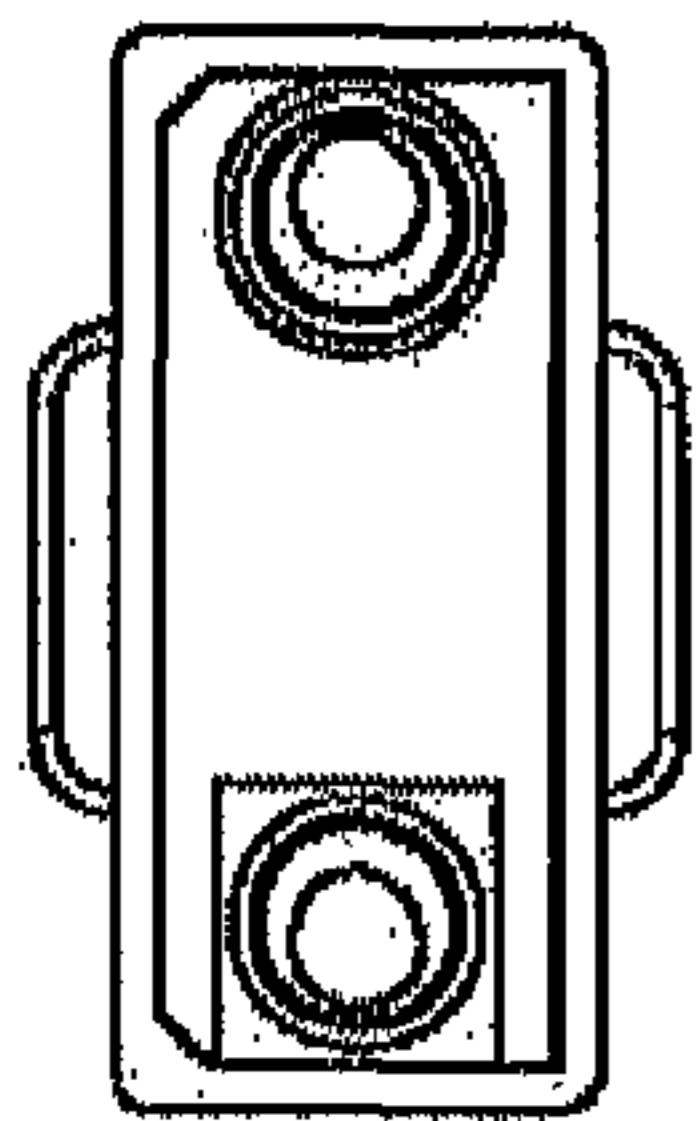


Fig. 5

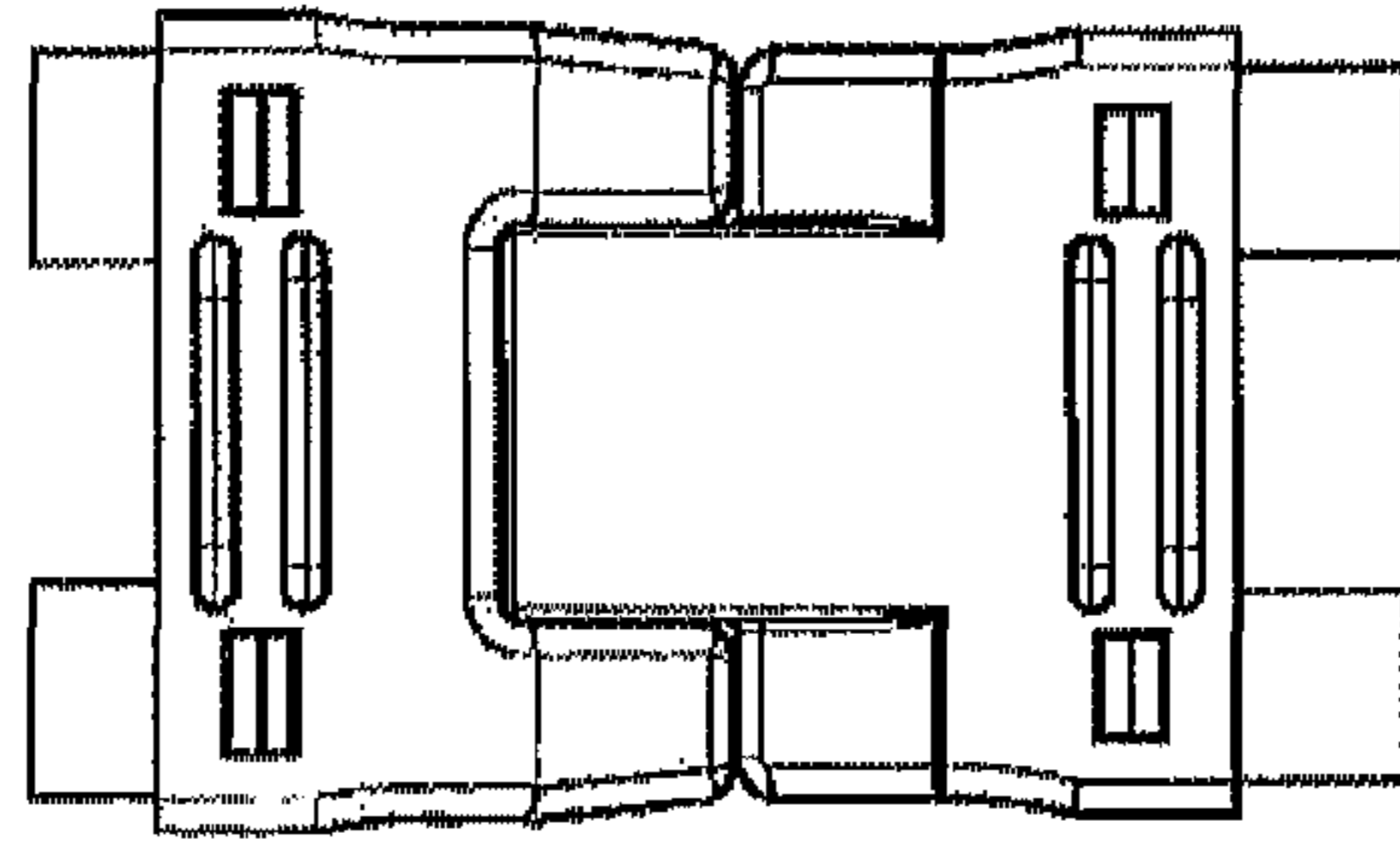


Fig. 2

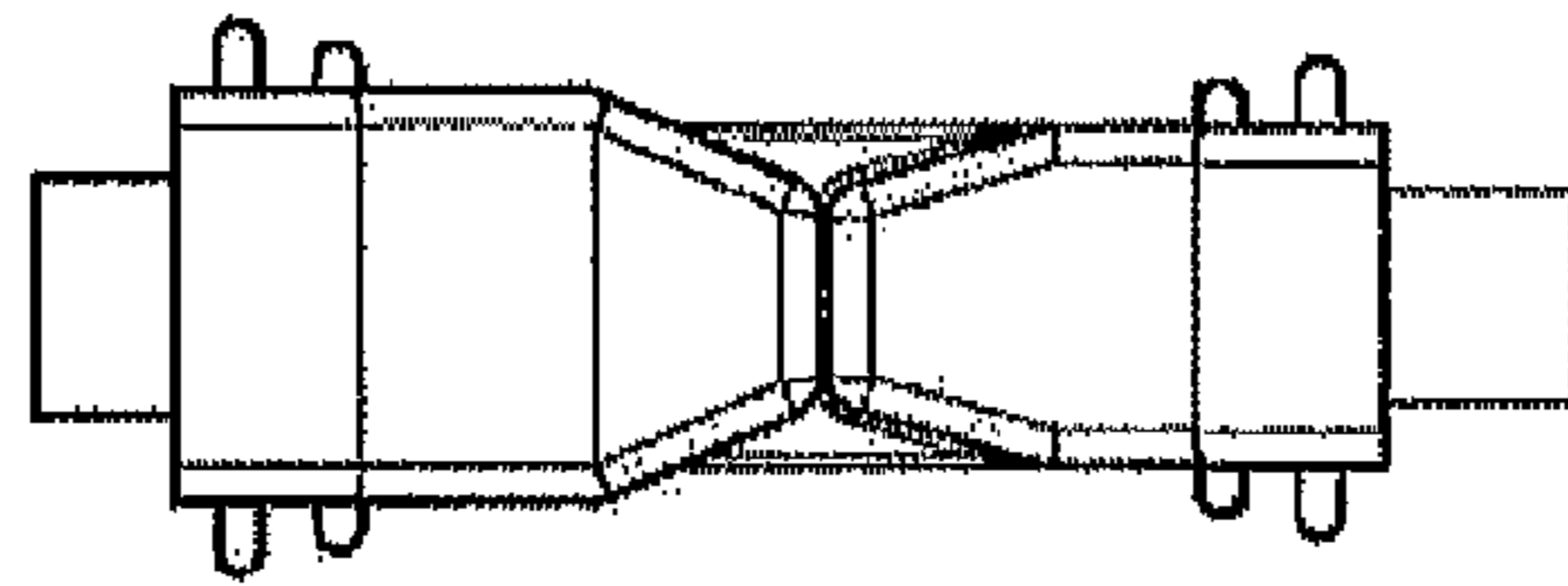


Fig. 3

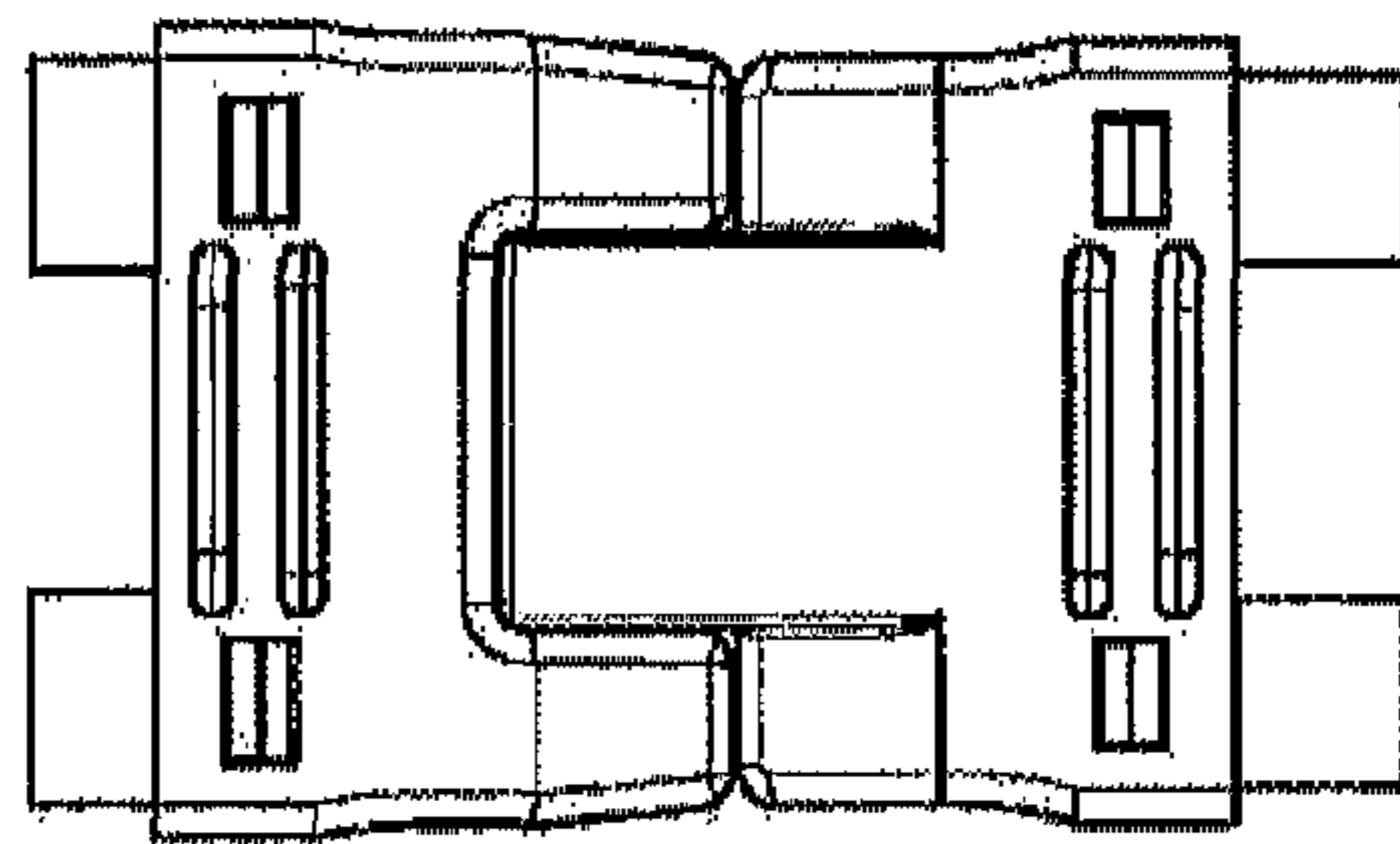


Fig. 1

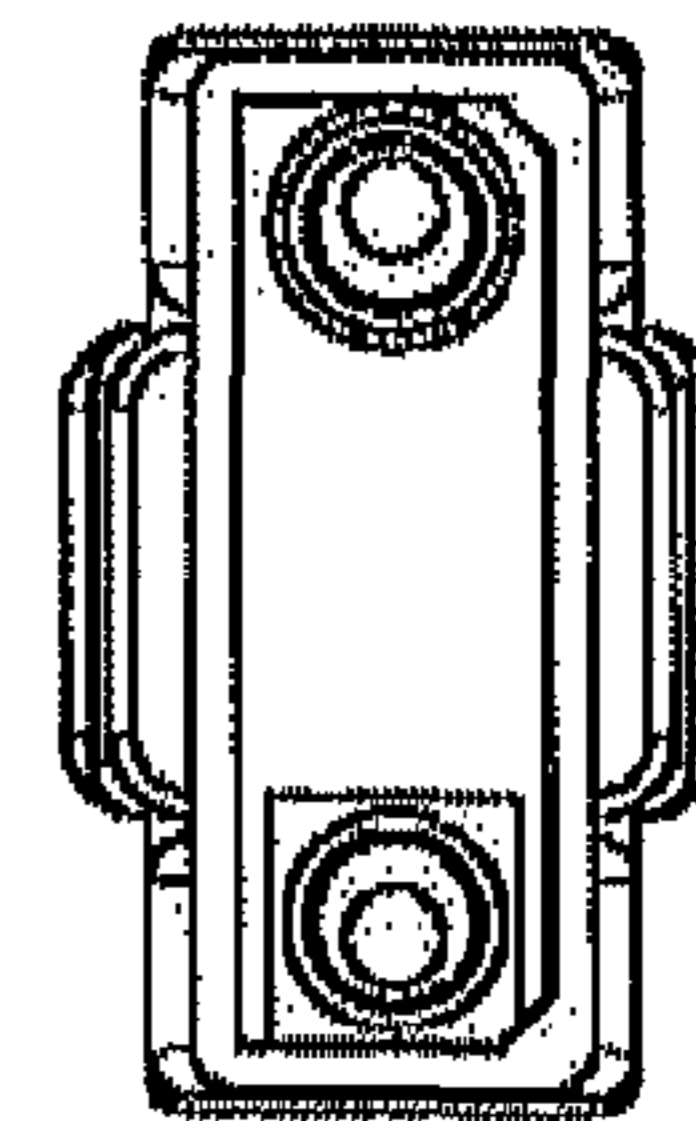


Fig. 6

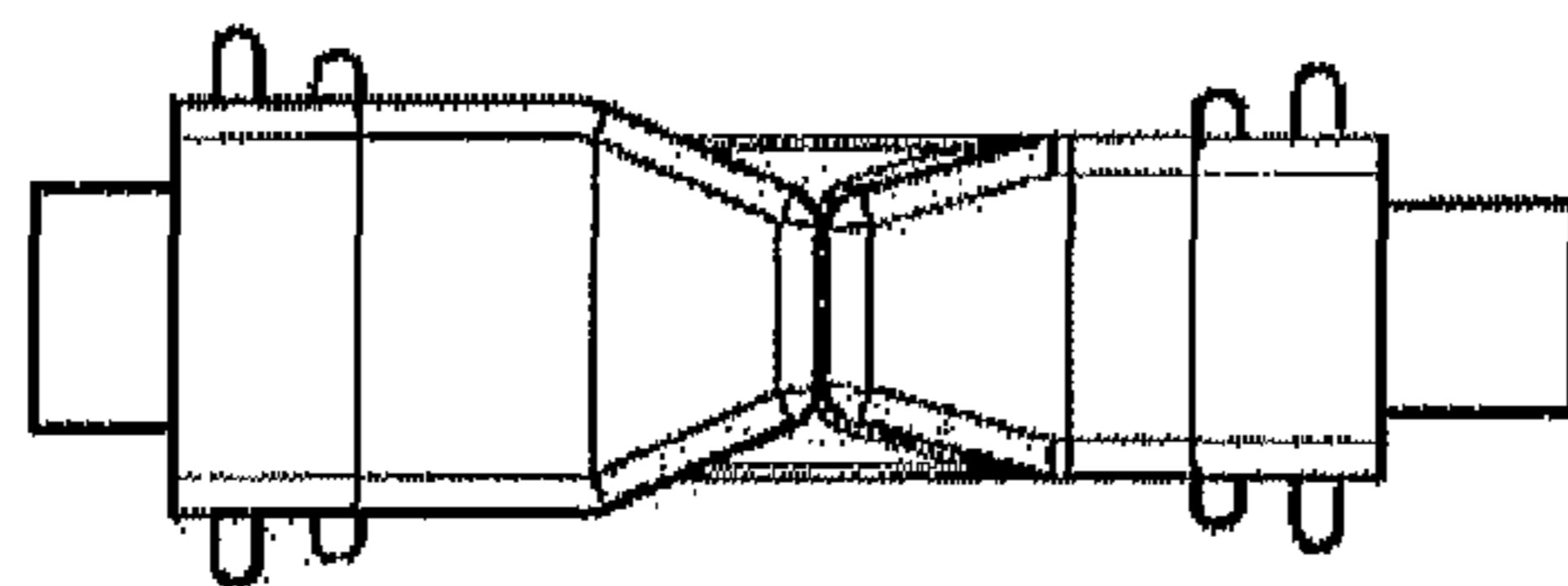


Fig. 4

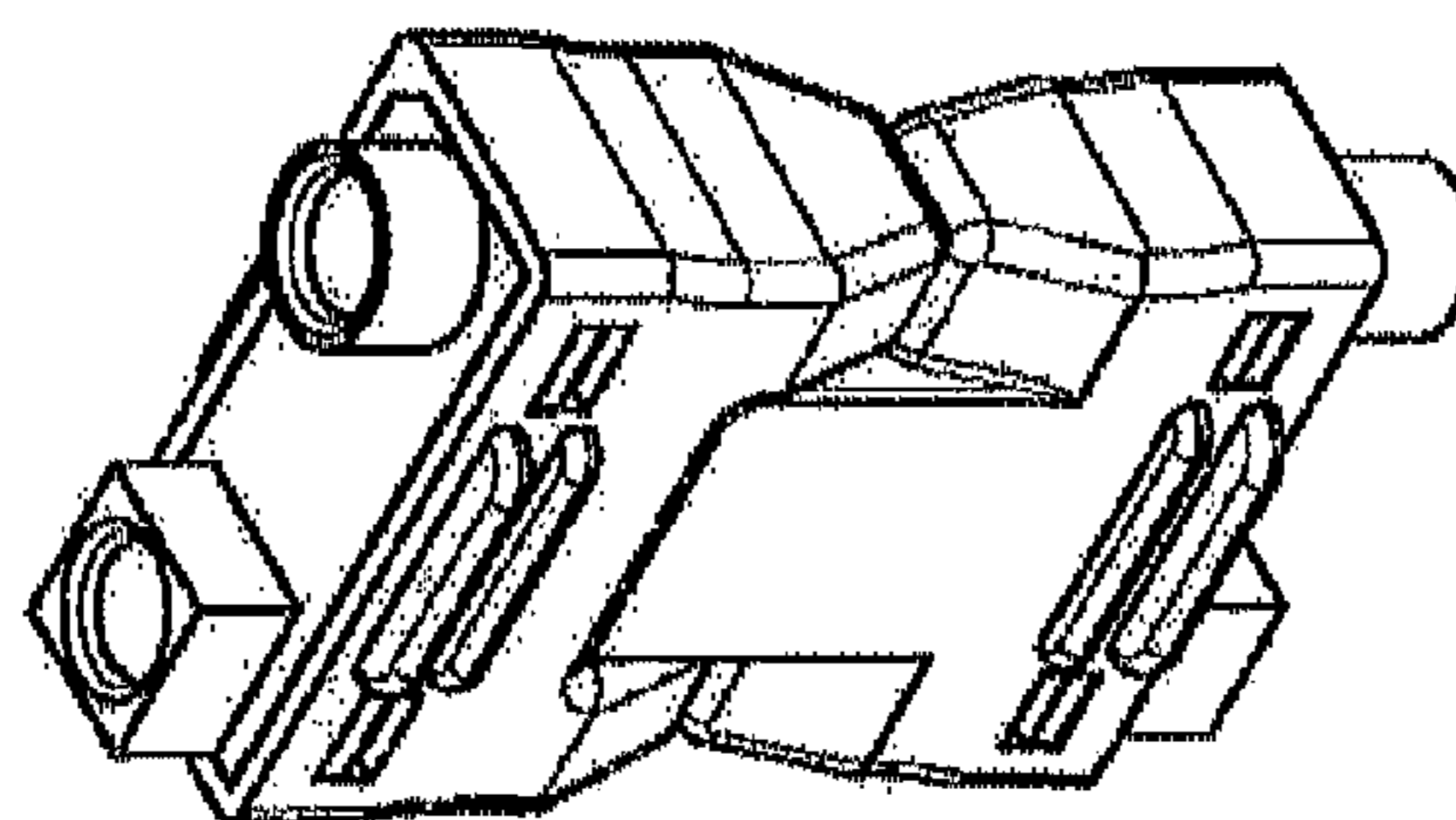


Fig. 7

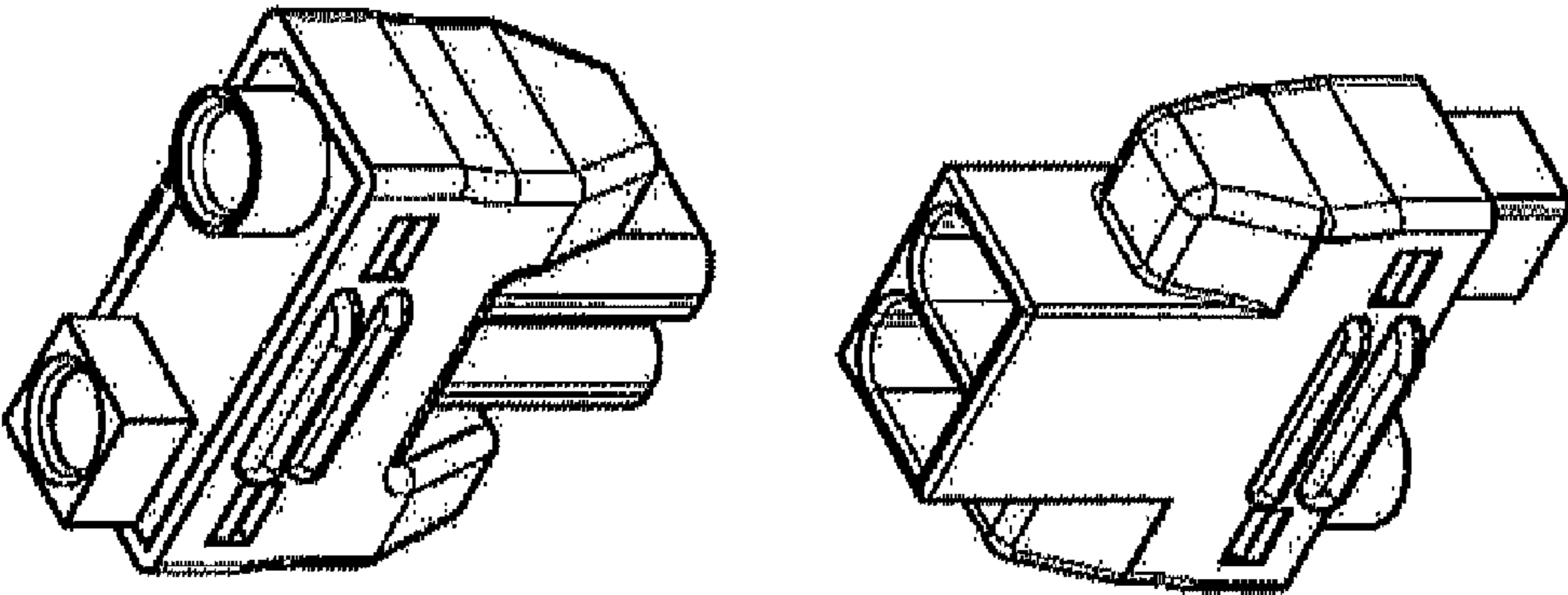


Fig. 8