

US00D659639S

(12) **United States Design Patent**
Saber et al.

(10) **Patent No.:** **US D659,639 S**

(45) **Date of Patent:** **** May 15, 2012**

(54) **PLATFORM CONNECTOR**

(75) Inventors: **Reza Saber**, Tehran (IR); **Saeed Sarkar**,
Tehran (IR)

(73) Assignee: **NanoTechnology System Corporation**
(**Natsyco**), Tehran (IR)

(**) Term: **14 Years**

(21) Appl. No.: **29/377,635**

(22) Filed: **Oct. 23, 2010**

(51) **LOC (9) Cl.** **13-01**

(52) **U.S. Cl.** **D13/118**

(58) **Field of Classification Search** D13/118,
D13/101, 117, 122, 133, 149, 154, 199; D8/349,
D8/354, 382; 248/165, 166, 200, 300; 292/251.5,
292/288, 289; 310/323.01, 323.05, 323.09,
310/323.16, 328, 354, 355
See application file for complete search history.

(56) **References Cited**

U.S. PATENT DOCUMENTS

5,146,129	A *	9/1992	Tamura et al.	310/323.16
6,188,161	B1 *	2/2001	Yoshida et al.	310/328
D457,805	S *	5/2002	Machijima	D8/354
D463,365	S *	9/2002	Sakai et al.	D13/118
D514,514	S *	2/2006	Franks, Jr.	D13/133
D550,622	S *	9/2007	Shih	D13/118

7,342,347	B2 *	3/2008	Magnussen et al.	310/323.01
7,348,710	B2 *	3/2008	Mattsson et al.	310/328
7,368,853	B2 *	5/2008	Magnussen et al.	310/323.01
D595,115	S *	6/2009	Royer	D8/354
D595,649	S *	7/2009	Borcherding	D13/118
D595,660	S *	7/2009	Brassard	D13/154
D601,970	S *	10/2009	Peng et al.	D13/154

* cited by examiner

Primary Examiner — Derrick Holland

(74) *Attorney, Agent, or Firm* — International IP Group,
LLC

(57) **CLAIM**

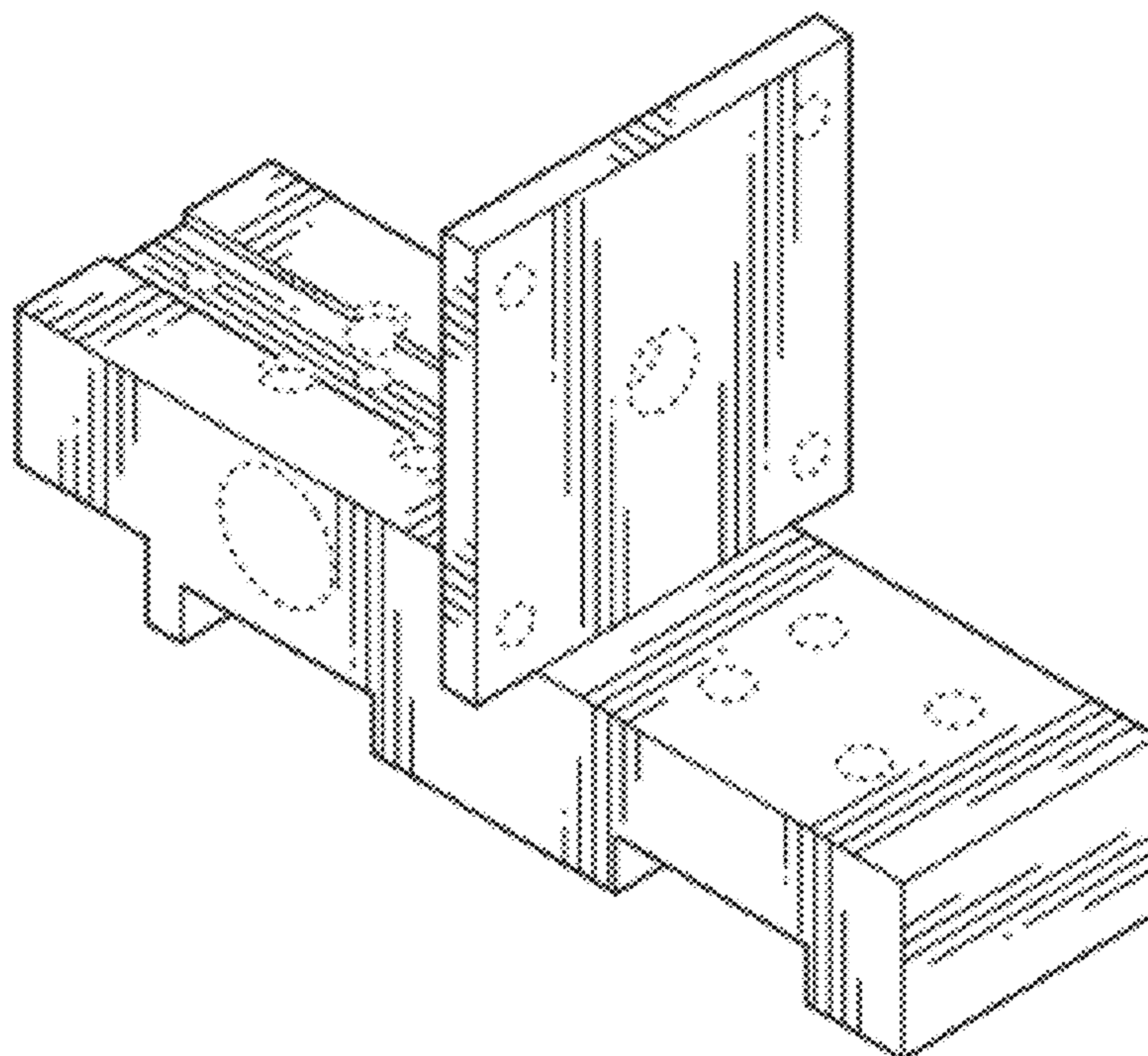
The ornamental design for a platform connector, substantially
as shown and described.

DESCRIPTION

FIG. 1 is a top and right side perspective view of a platform
connector showing our new design;
FIG. 2 is a bottom and right side perspective view thereof;
FIG. 3 is a left side view thereof;
FIG. 4 is a right side view thereof;
FIG. 5 is a top plan view thereof;
FIG. 6 is a bottom plan view thereof;
FIG. 7 is a rear view thereof; and,
FIG. 8 is a front view thereof.

The broken lines shown represent unclaimed subject matter
and form no part of the claimed design.

1 Claim, 4 Drawing Sheets



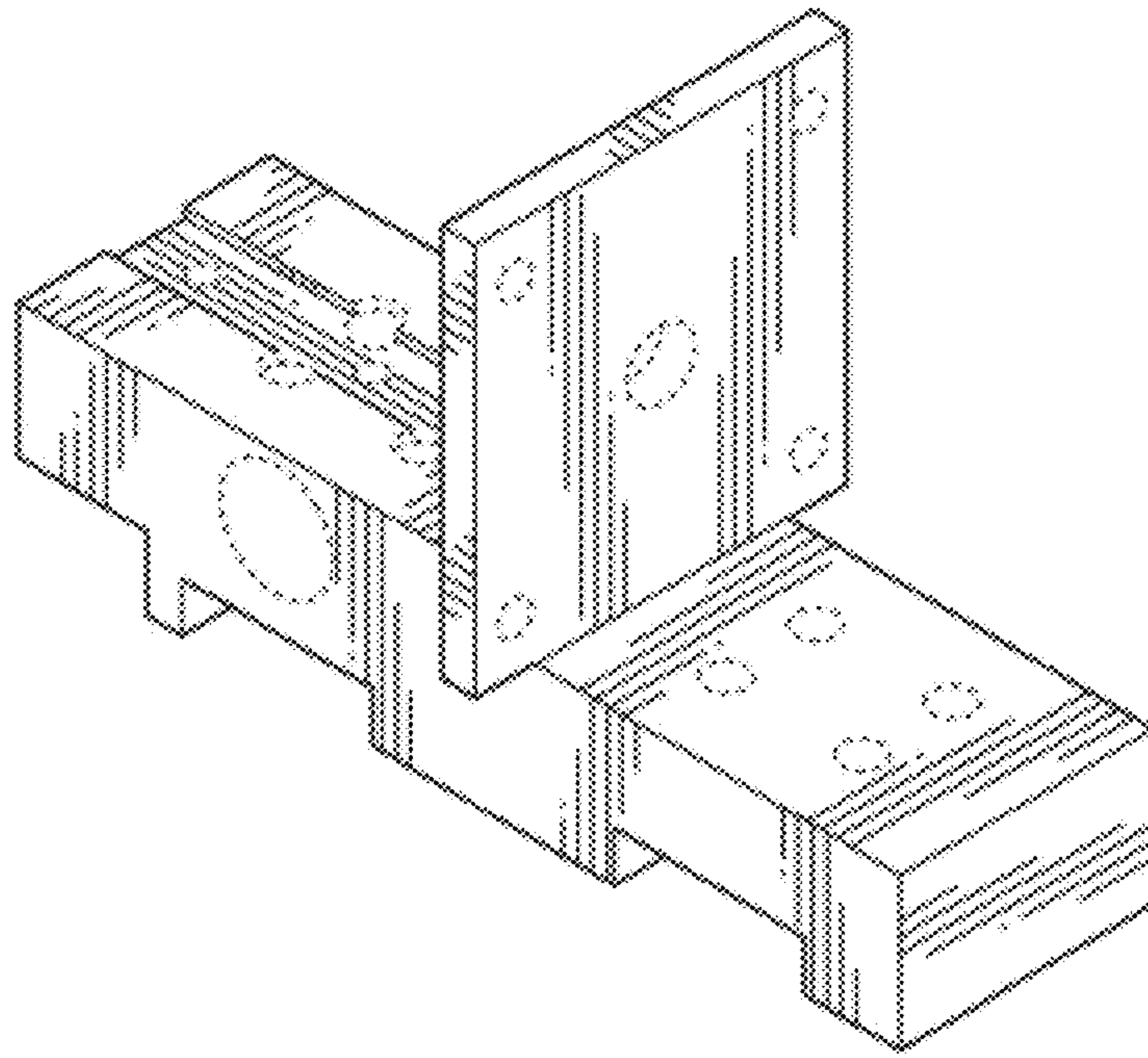


FIG. 1

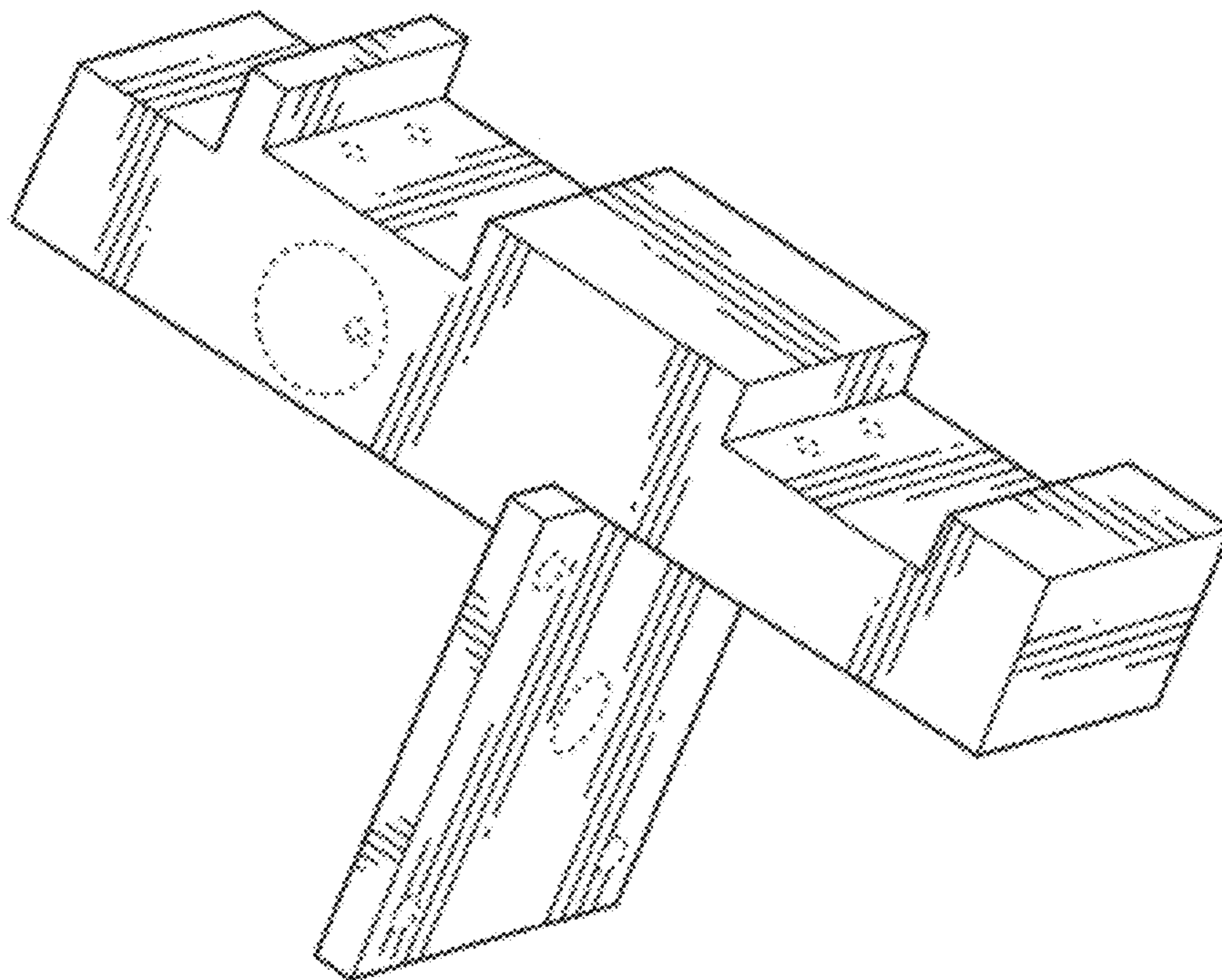


FIG. 2

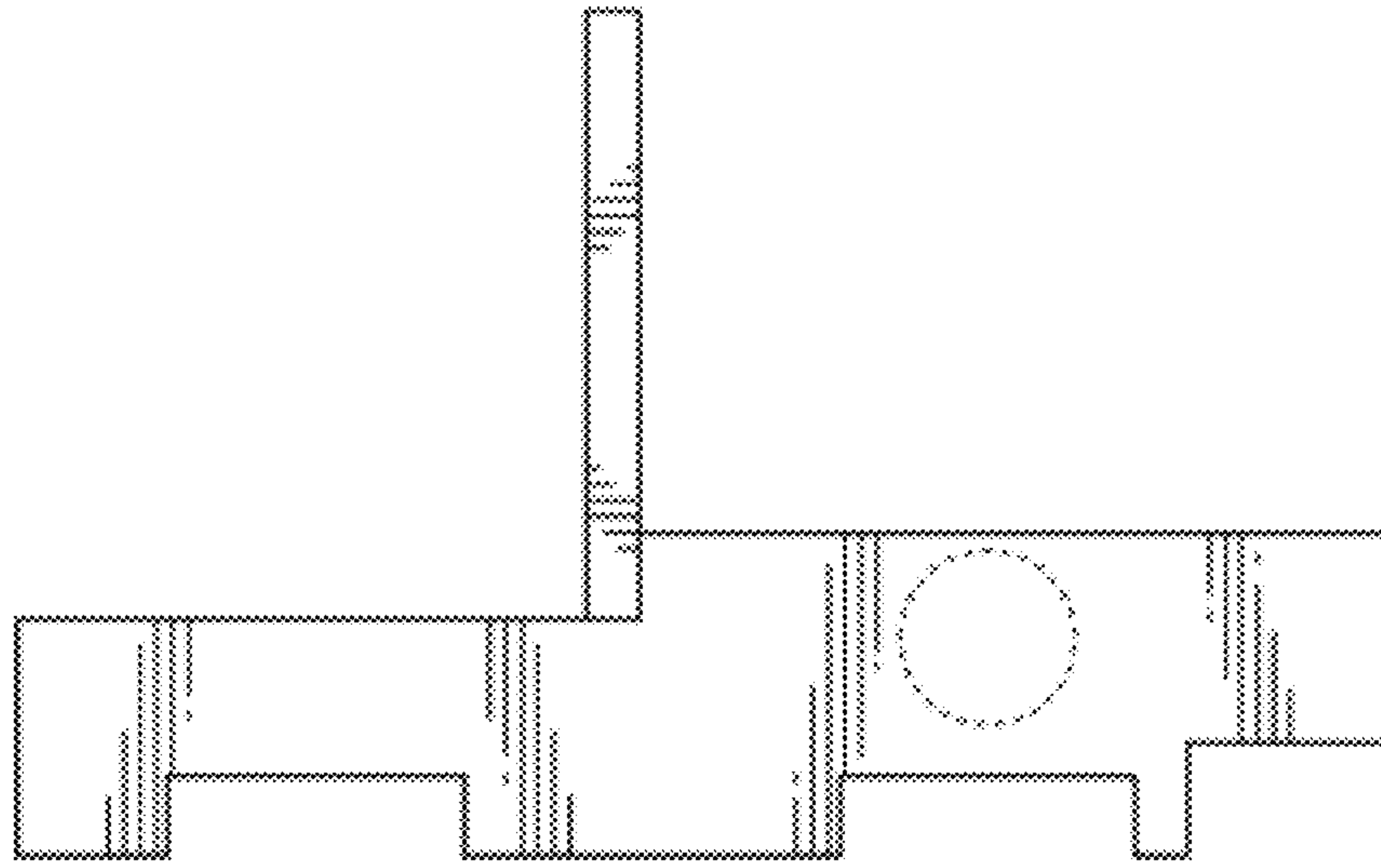


FIG. 3

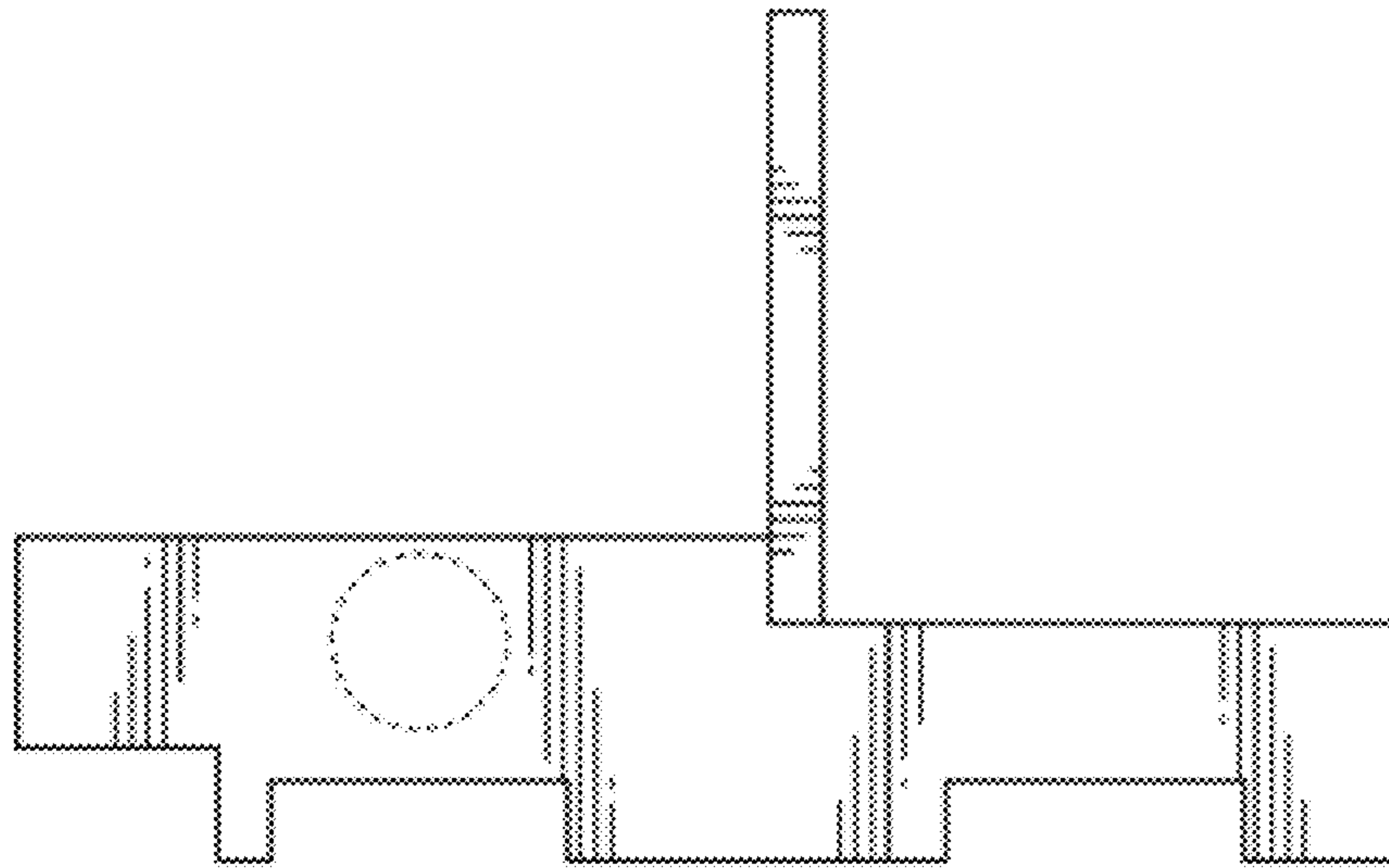


FIG. 4

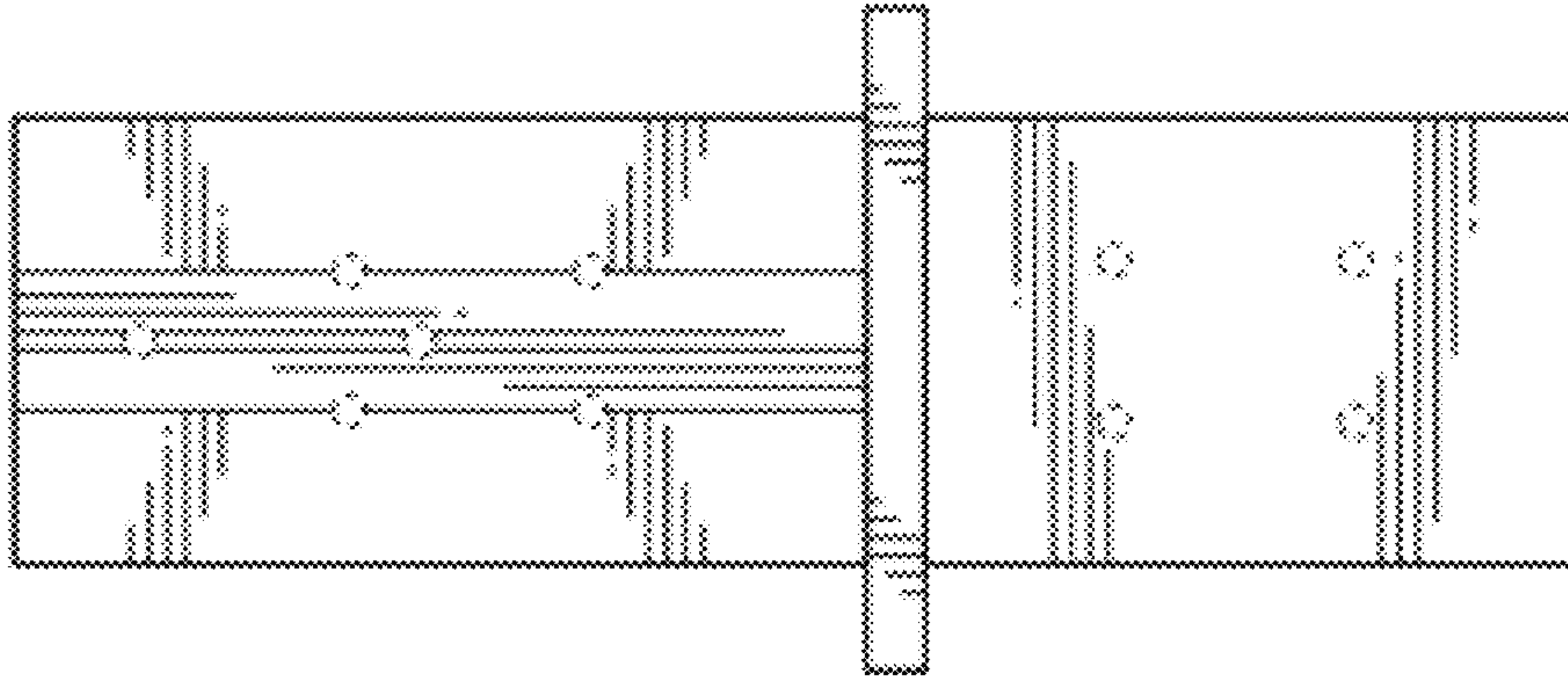


FIG. 5

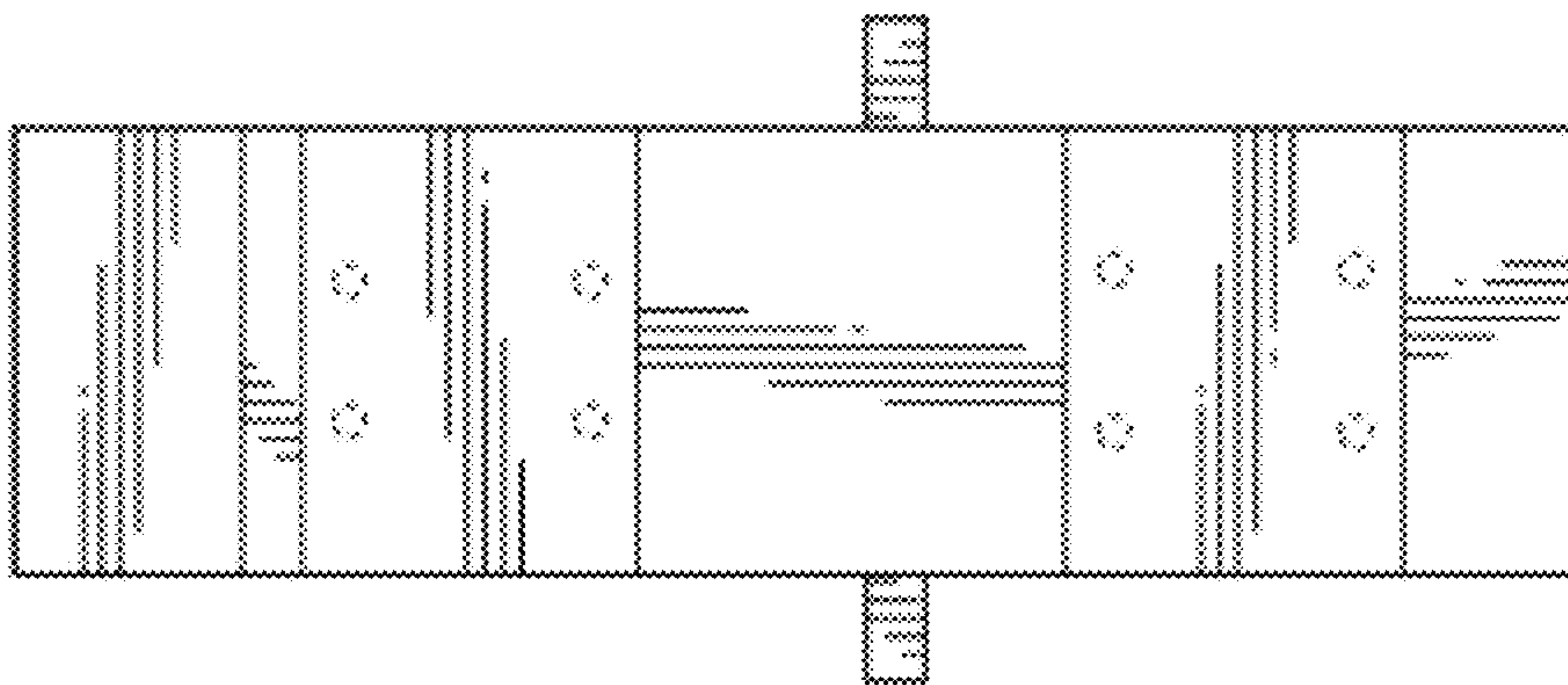


FIG. 6

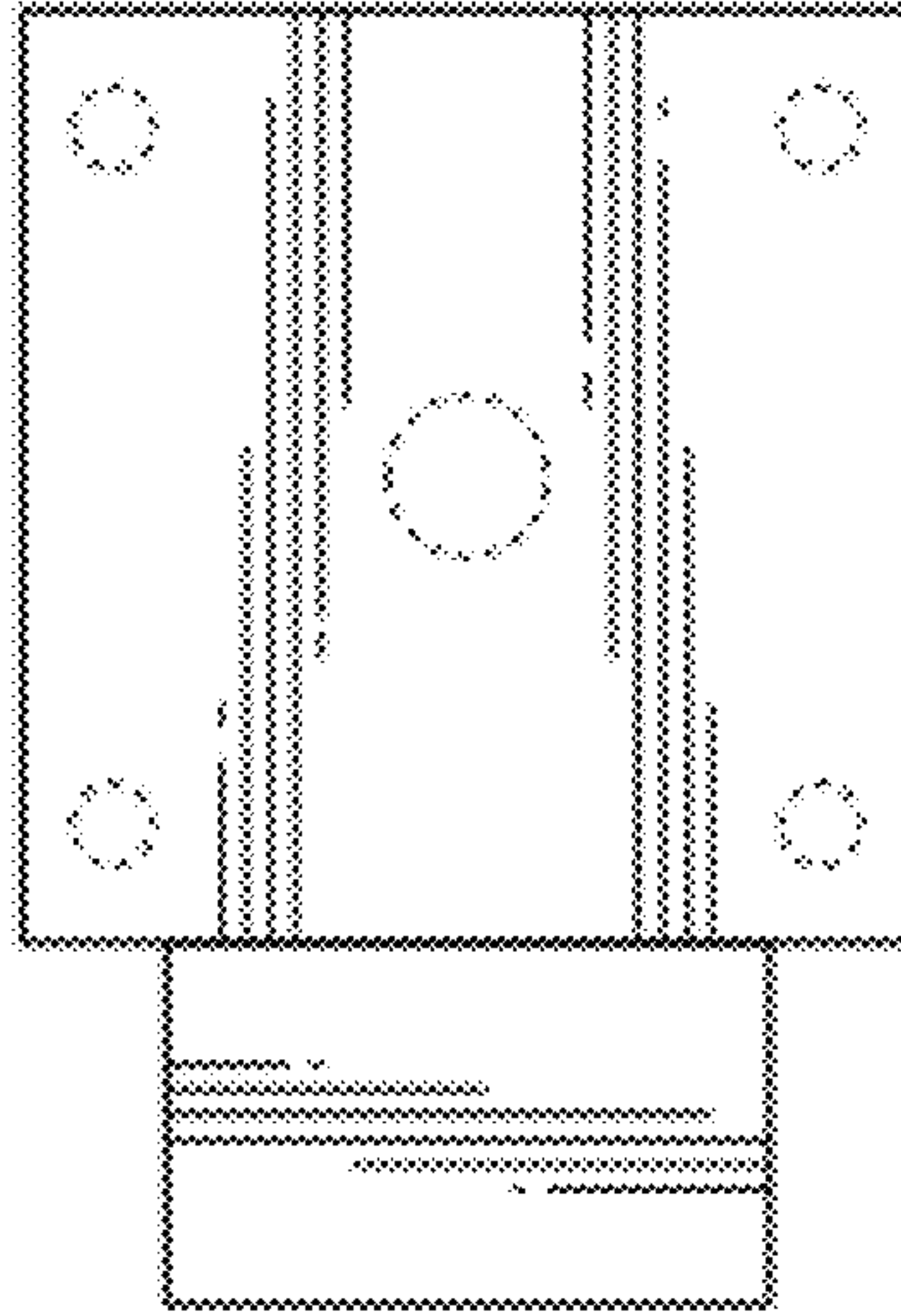


FIG. 7

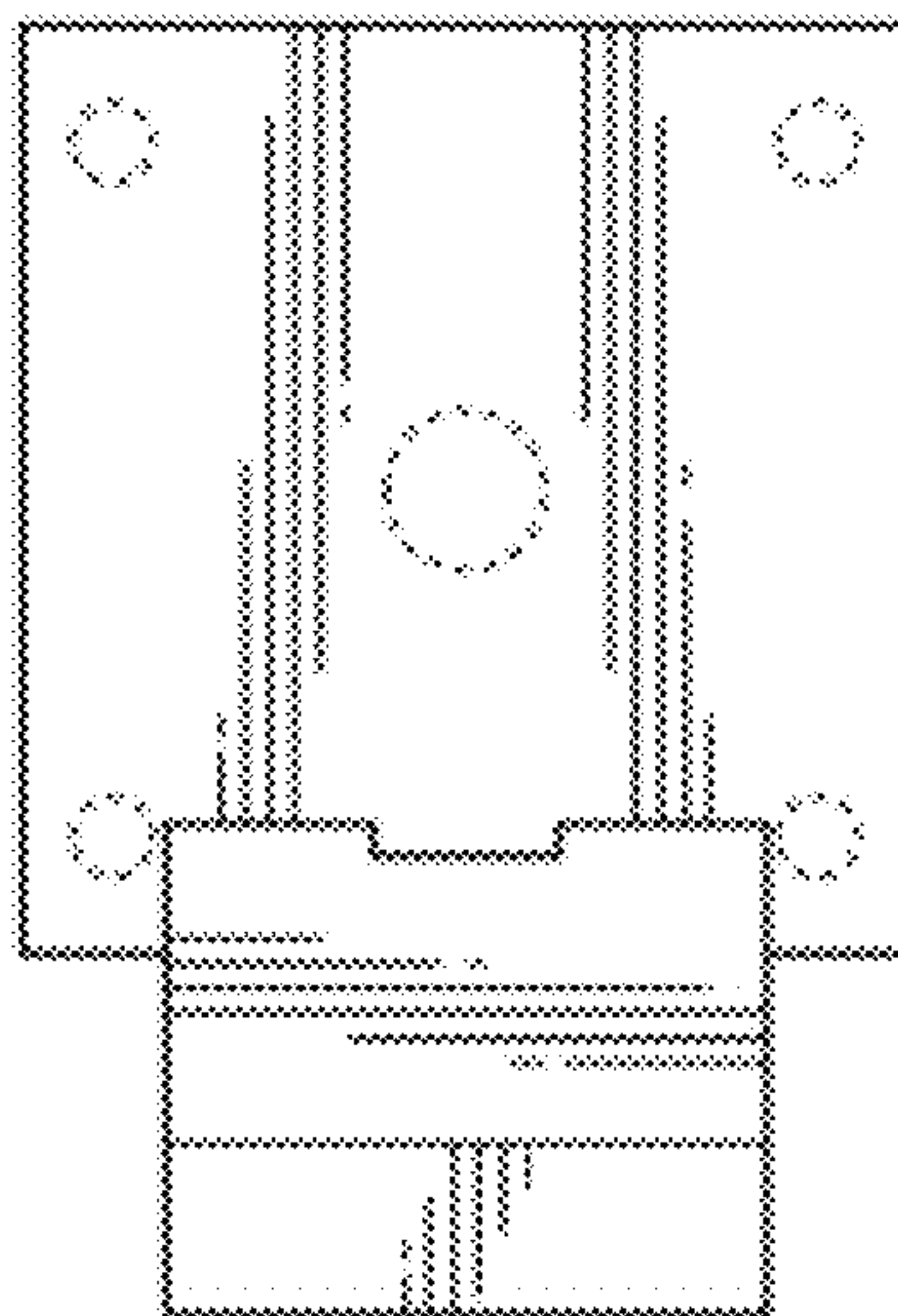


FIG. 8