



US00D659637S

(12) **United States Design Patent**
Hwang et al.

(10) **Patent No.:** **US D659,637 S**

(45) **Date of Patent:** **** May 15, 2012**

(54) **BATTERY CHARGER WITH STAND**

(75) Inventors: **Ji-Woong Hwang**, Goyang-si (KR);
Min-Hyouk Lee, Seoul (KR); **Jun-Sang Park**, Anyang-si (KR)

(73) Assignee: **Samsung Electronics Co., Ltd.** (KR)

(**) Term: **14 Years**

(21) Appl. No.: **29/401,291**

(22) Filed: **Sep. 9, 2011**

(30) **Foreign Application Priority Data**

Jul. 18, 2011 (KR) 30-2011-0029751

(51) **LOC (9) Cl.** **13-02**

(52) **U.S. Cl.** **D13/108**

(58) **Field of Classification Search** D13/107-110,
D13/118-119, 184, 199; D14/251, 253,
D14/432, 434; 320/107-115

See application file for complete search history.

(56) **References Cited**

U.S. PATENT DOCUMENTS

D488,440 S *	4/2004	Senda	D13/108
D540,802 S *	4/2007	Hussaini et al.	D14/434
D584,731 S *	1/2009	Montgomery et al.	D14/434
D610,084 S *	2/2010	Christopher	D13/107
D623,132 S *	9/2010	Yano	D13/108
D637,952 S *	5/2011	Tan	D13/108

D642,121 S *	7/2011	Lee et al.	D13/108
D642,519 S *	8/2011	Woo et al.	D13/108
D647,520 S *	10/2011	Wikel	D14/253
D647,525 S *	10/2011	Seto	D14/434
D648,325 S *	11/2011	Akana et al.	D14/217
D648,707 S *	11/2011	Akana et al.	D14/217

* cited by examiner

Primary Examiner — Rosemary K Tarcza

(74) *Attorney, Agent, or Firm* — Cantor Colburn LLP

(57) **CLAIM**

The ornamental design for a battery charger with stand, as shown and described.

DESCRIPTION

FIG. 1 is a perspective view of battery charger with stand, showing our new design;

FIG. 2 is a front elevational view thereof;

FIG. 3 is a rear elevational view thereof;

FIG. 4 is a left side elevational view thereof;

FIG. 5 is a right side elevational view thereof;

FIG. 6 is a top plan view thereof;

FIG. 7 is a bottom plan view thereof;

FIG. 8 is a perspective view thereof in an alternative position; and,

FIG. 9 is a cross-sectional view taken along line 9-9 of FIG. 1, wherein the broken lines showing the battery charger with stand in an alternative position are for illustrative purposes only and form no part of the claimed design.

1 Claim, 9 Drawing Sheets

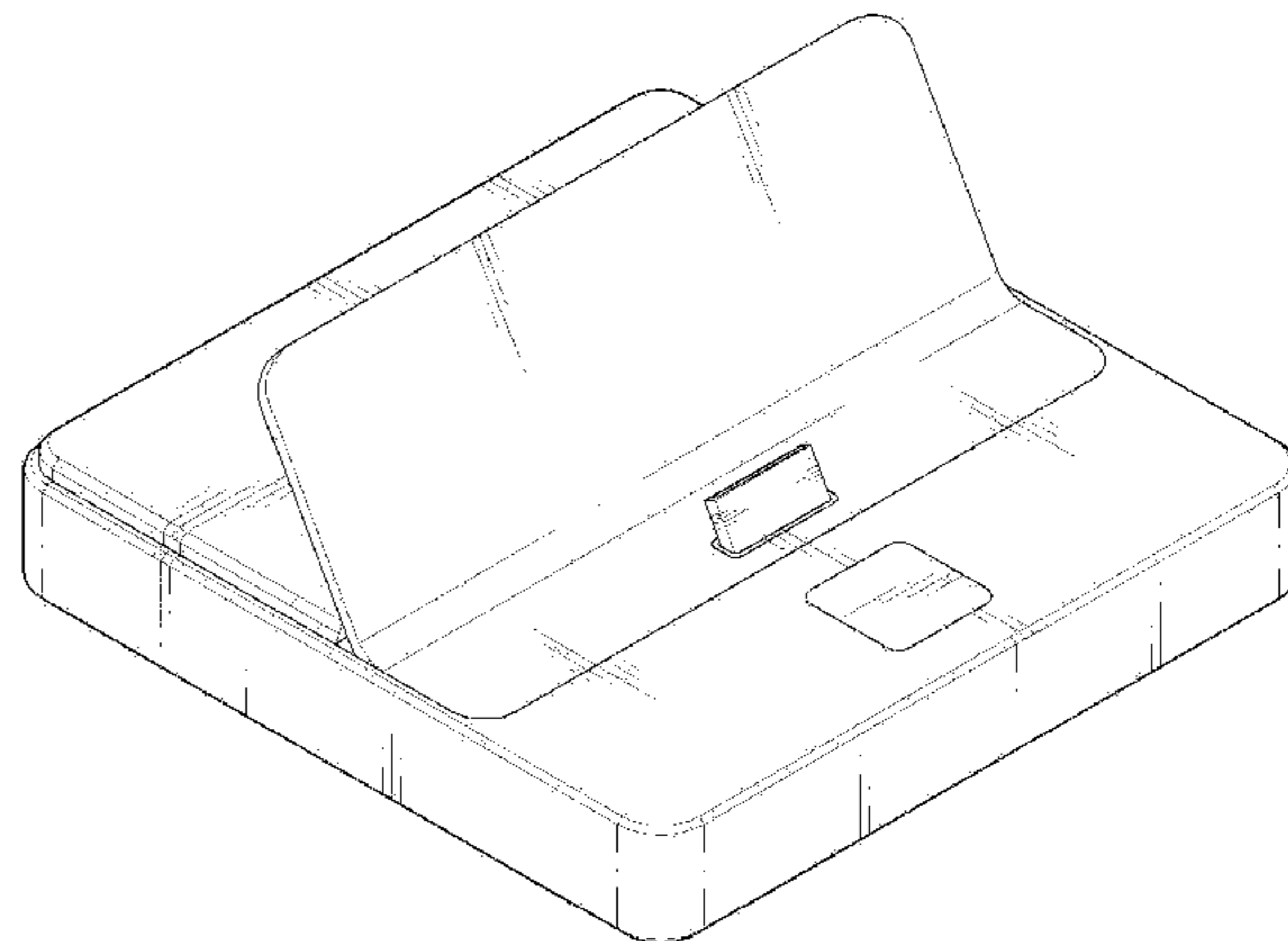
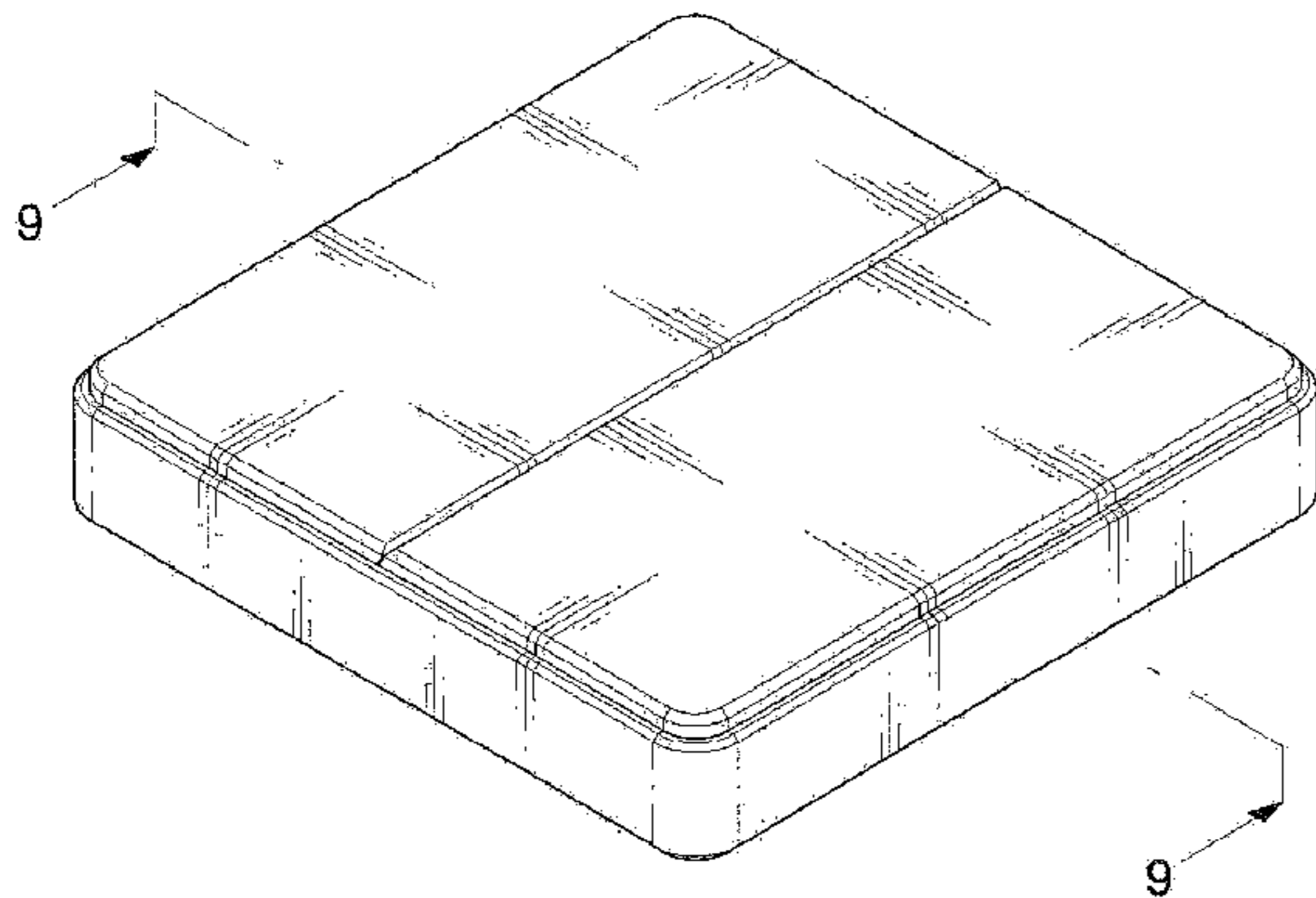


FIG. 1

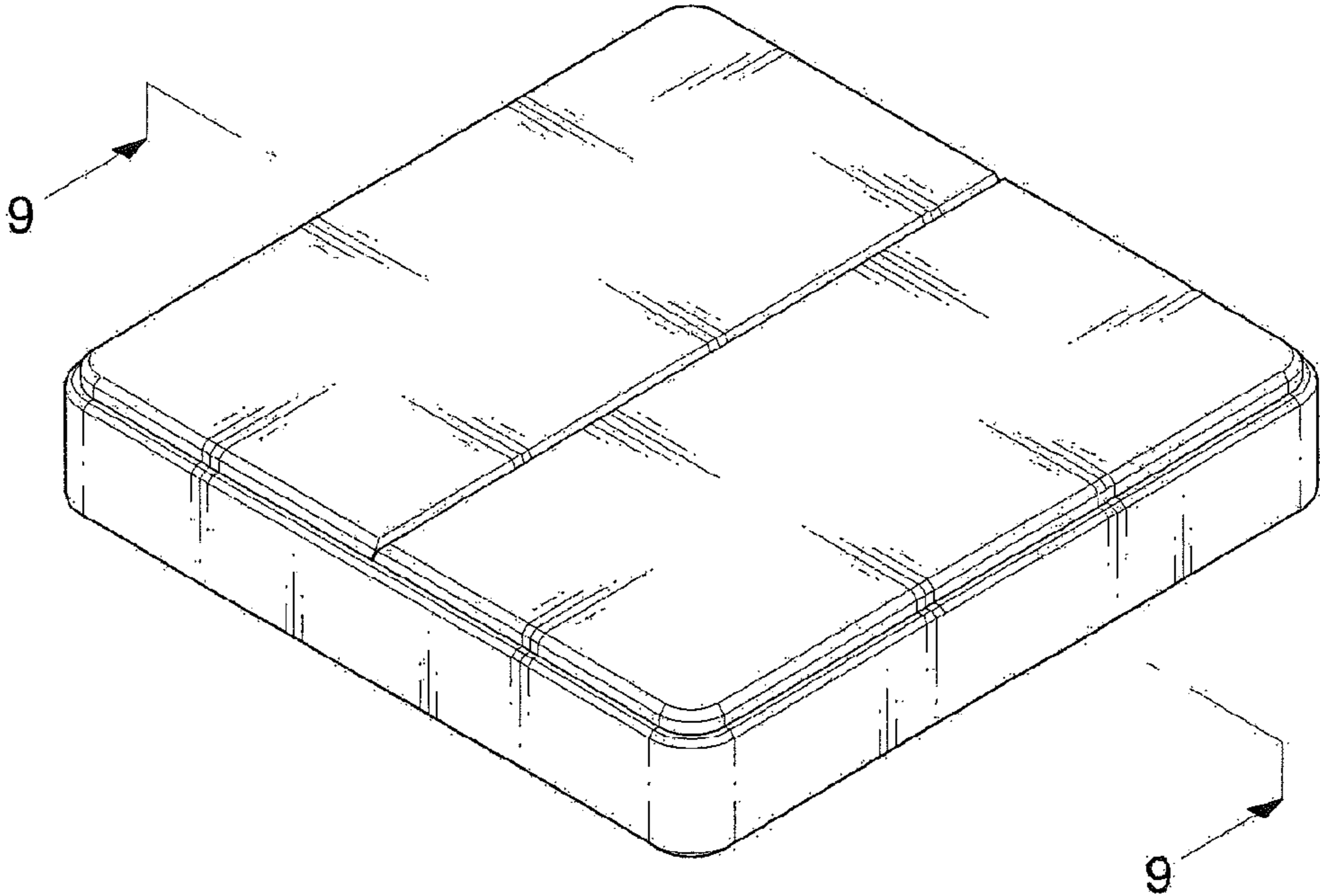


FIG. 2

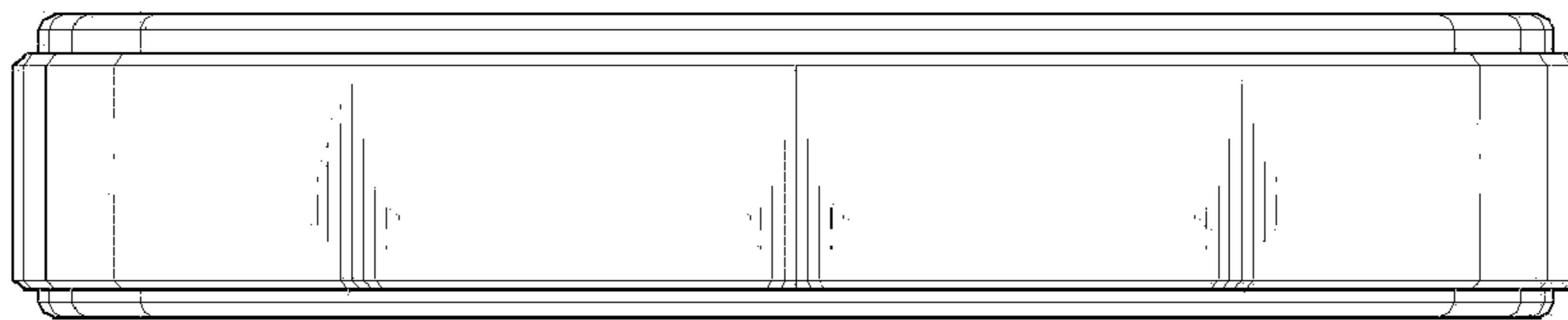


FIG. 3

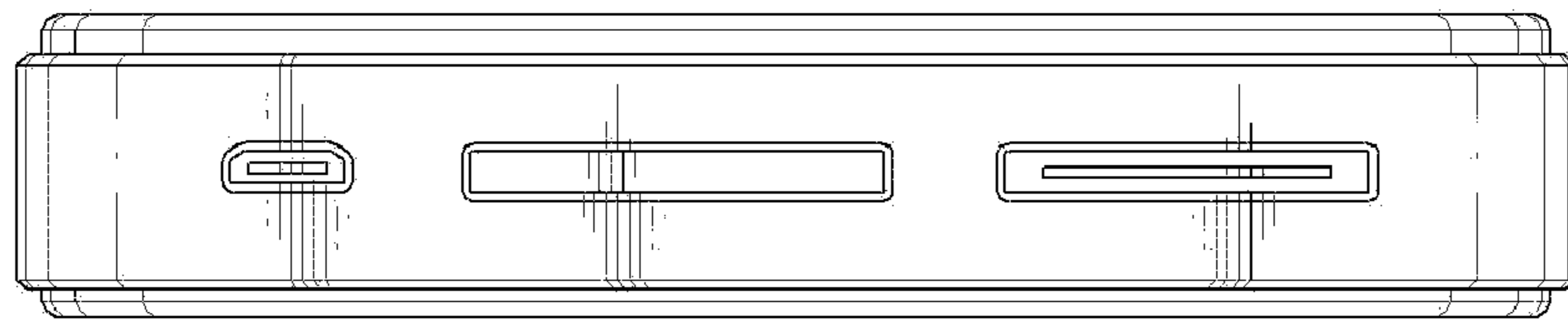


FIG. 4

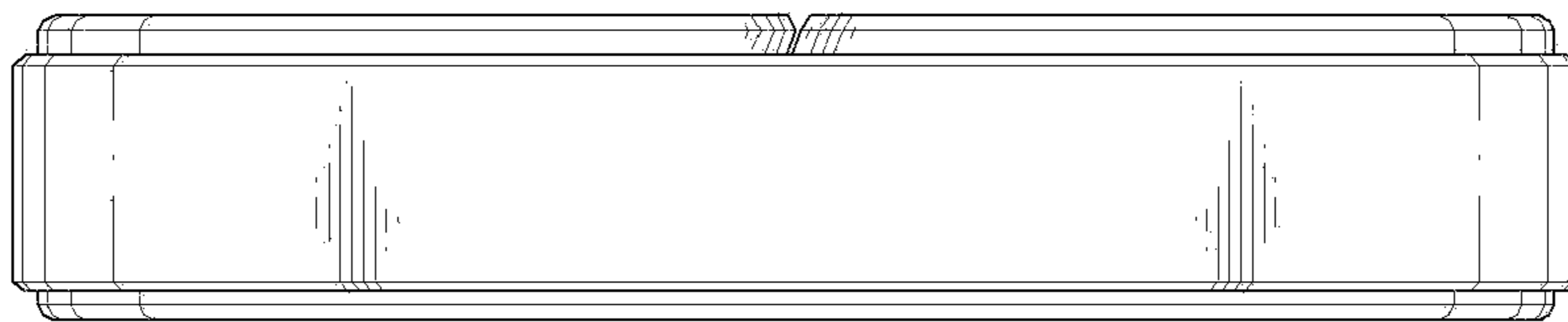


FIG. 5

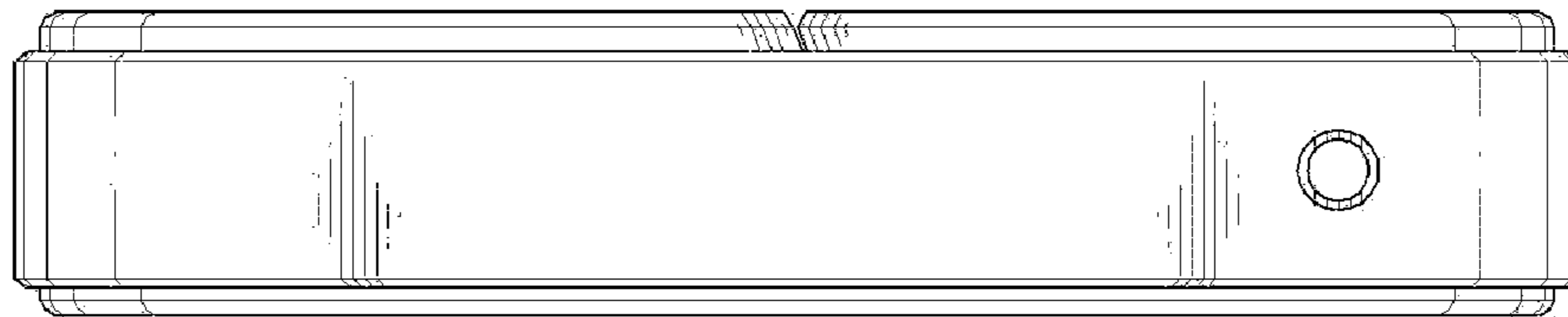


FIG. 6

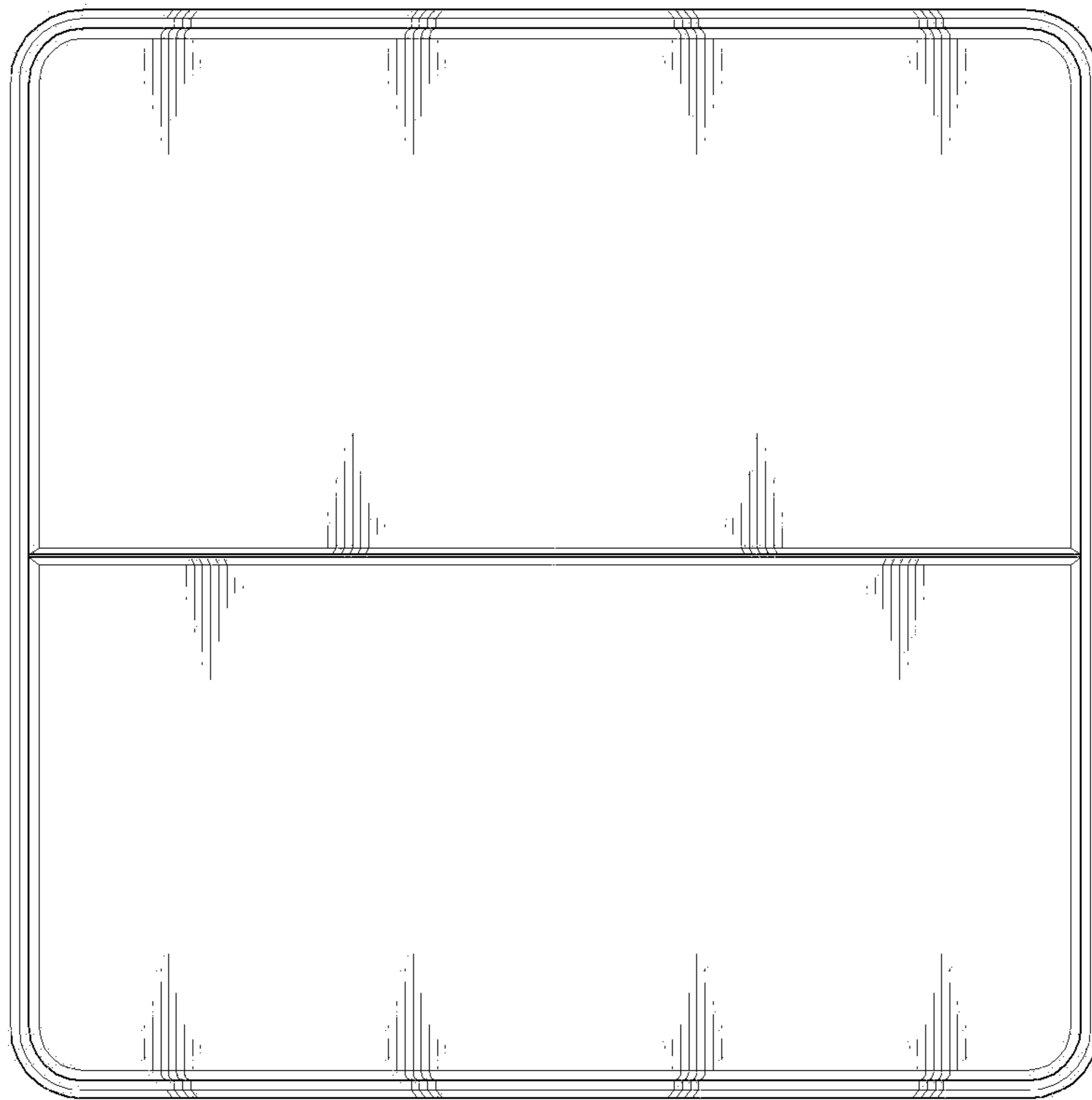


FIG. 7

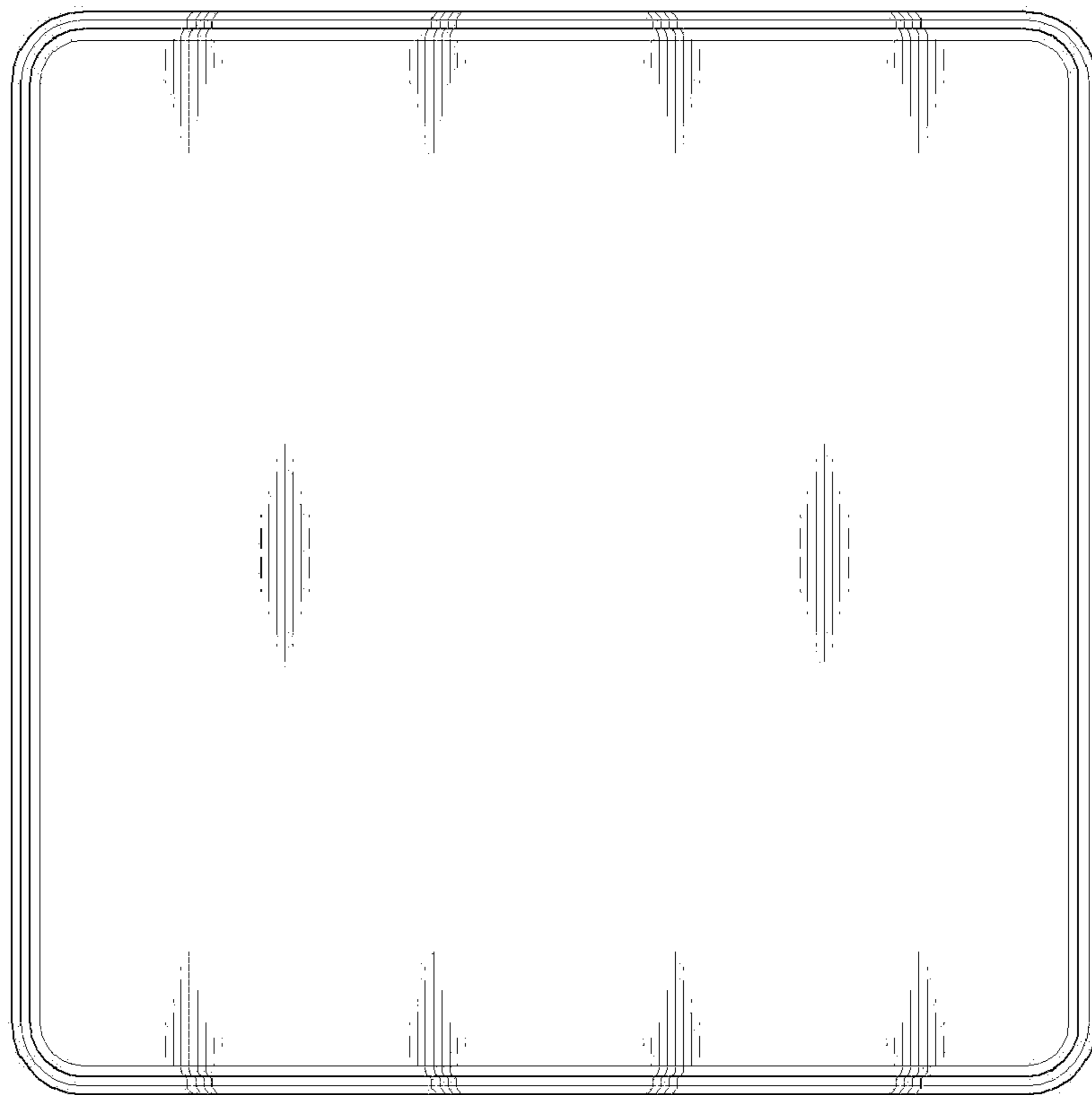


FIG. 8

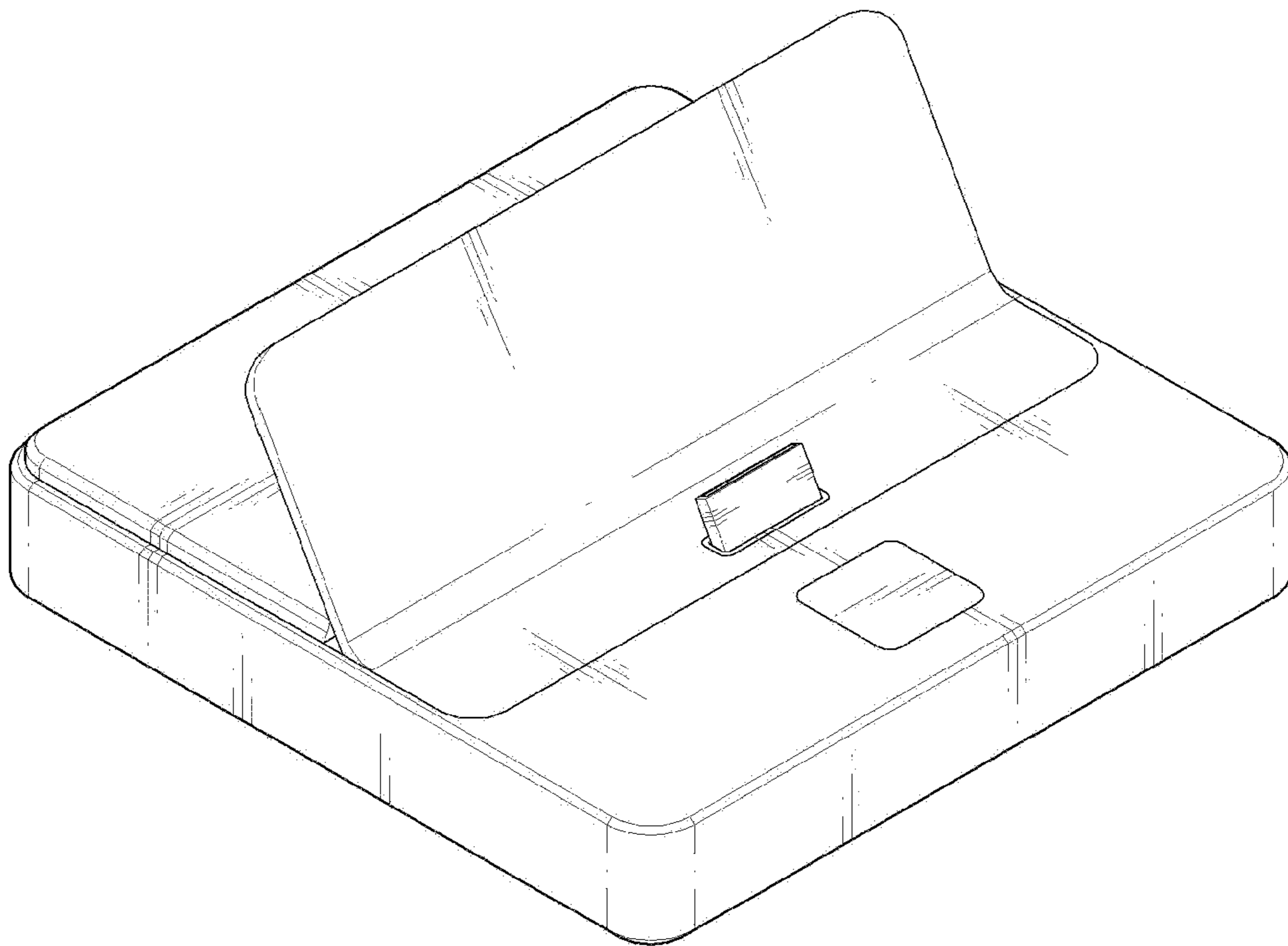


FIG. 9
LINE 9-9 SECTIONAL VIEW

