



US00D659636S

(12) **United States Design Patent**  
**Okuda et al.**

(10) **Patent No.:** **US D659,636 S**

(45) **Date of Patent:** **\*\* May 15, 2012**

(54) **BATTERY PACK ADAPTER**

(74) *Attorney, Agent, or Firm* — Global IP Counselors, LLP

(75) Inventors: **Shinsuke Okuda**, Anjo (JP); **Shusuke Ito**, Anjo (JP)

(57) **CLAIM**

The ornamental design for a battery pack adapter, as shown and described.

(73) Assignee: **Makita Corporation**, Anjo-shi (JP)

(\*\*) Term: **14 Years**

**DESCRIPTION**

(21) Appl. No.: **29/401,111**

(22) Filed: **Sep. 7, 2011**

(30) **Foreign Application Priority Data**

May 24, 2011 (JP) ..... 2011-11628

(51) **LOC (9) Cl.** ..... **13-02**

(52) **U.S. Cl.** ..... **D13/108; D13/110; D13/119**

(58) **Field of Classification Search** ..... D13/103,  
D13/107-110, 118-119, 184; D14/251,  
D14/253, 432, 434; 320/107-115

See application file for complete search history.

FIG. 1 is a front perspective view of a battery pack adapter in accordance with our new design;

FIG. 2 is a rear perspective view of the battery pack adapter in accordance with our new design;

FIG. 3 is a perspective view of the battery pack adapter as viewed from a bottom side in accordance with our new design;

FIG. 4 is a front elevational view of the battery pack adapter in accordance with our new design;

FIG. 5 is a rear elevational view of the battery pack adapter in accordance with our new design;

FIG. 6 is a top plan view of the battery pack adapter in accordance with our new design;

FIG. 7 is a bottom plan view of the battery pack adapter in accordance with our new design;

FIG. 8 is a left side elevational view of the battery pack adapter in accordance with our new design;

FIG. 9 is a right side elevational view of the battery pack adapter in accordance with our new design; and,

FIG. 10 is a front perspective view of the battery pack adapter in accordance with our new design illustrating a state in which batteries are attached to the battery pack adapter.

The broken line showing of environment in FIGS. 1-10 is for illustrative purposes only and forms no part of the claimed design.

(56) **References Cited**

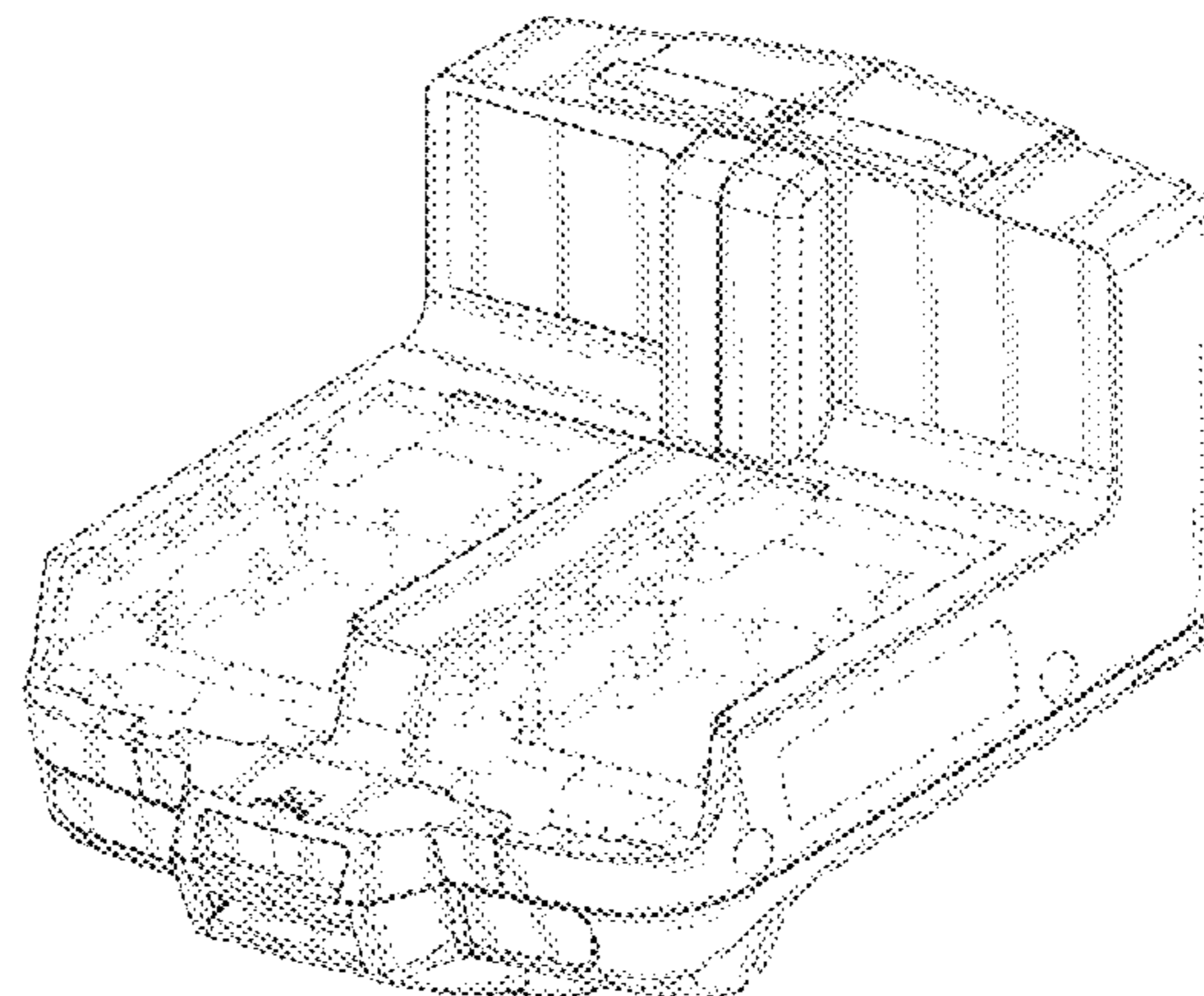
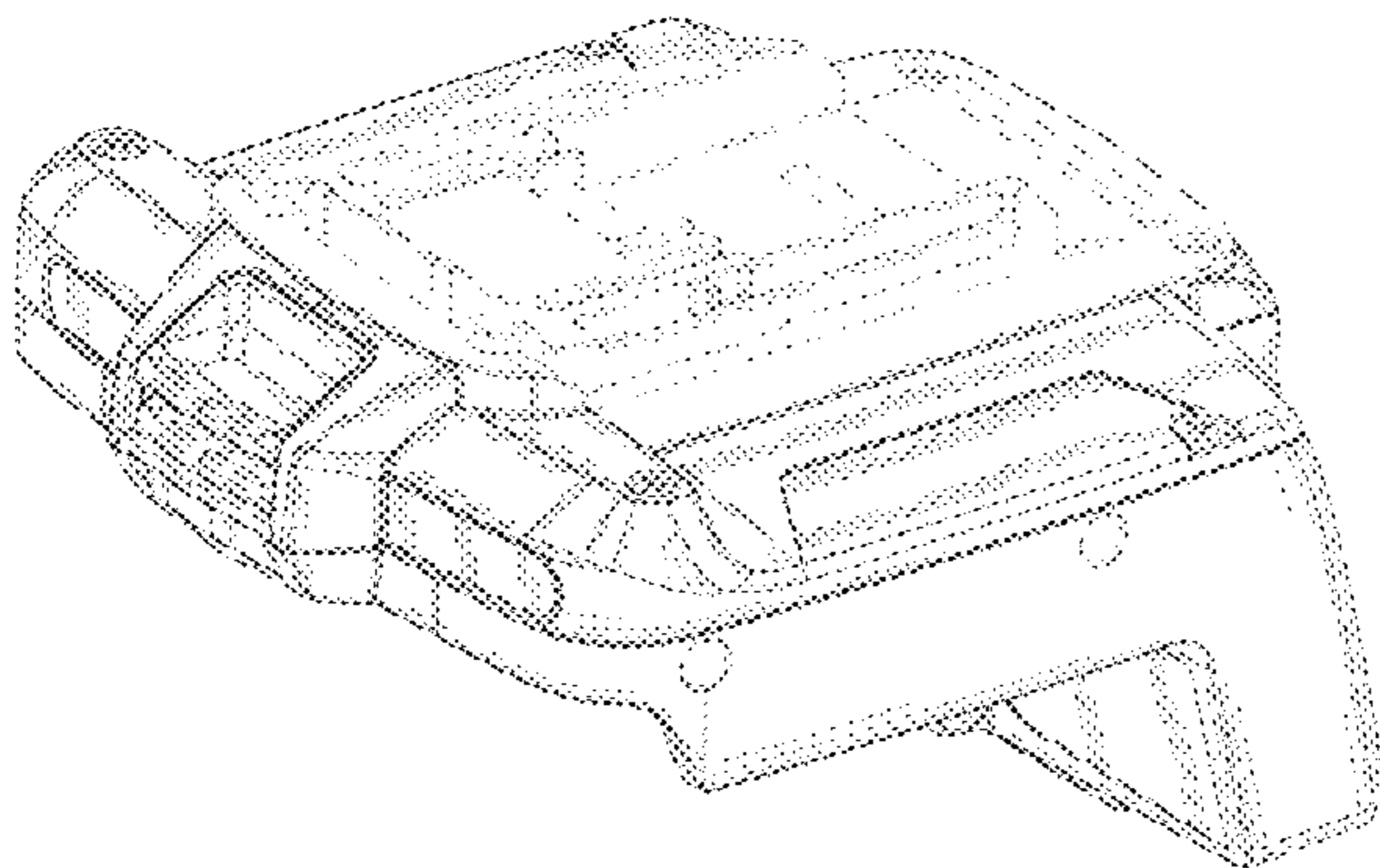
**U.S. PATENT DOCUMENTS**

D322,061 S *	12/1991	Watanabe	.....	D13/108
D328,450 S *	8/1992	Watanabe et al.	.....	D13/108
D486,492 S *	2/2004	Sheu et al.	.....	D14/434
D550,615 S *	9/2007	Tong	.....	D13/107
D551,617 S *	9/2007	Houghton	.....	D13/108
D562,230 S	2/2008	Houghton		
D577,666 S *	9/2008	Nishizawa	.....	D13/108
D633,042 S *	2/2011	Houghton et al.	.....	D13/110

\* cited by examiner

*Primary Examiner* — Rosemary K Tarcza

**1 Claim, 10 Drawing Sheets**



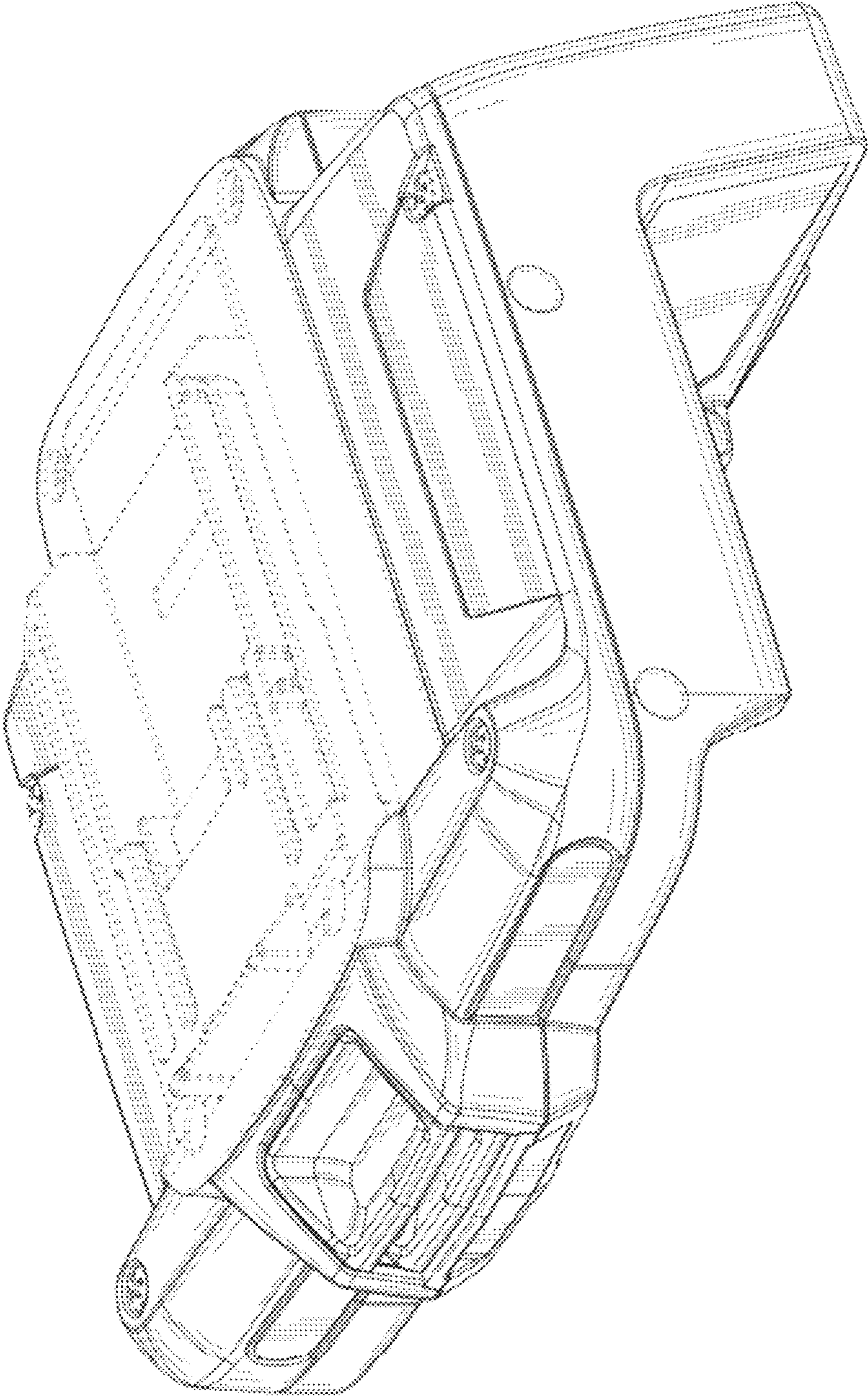


FIG. 1

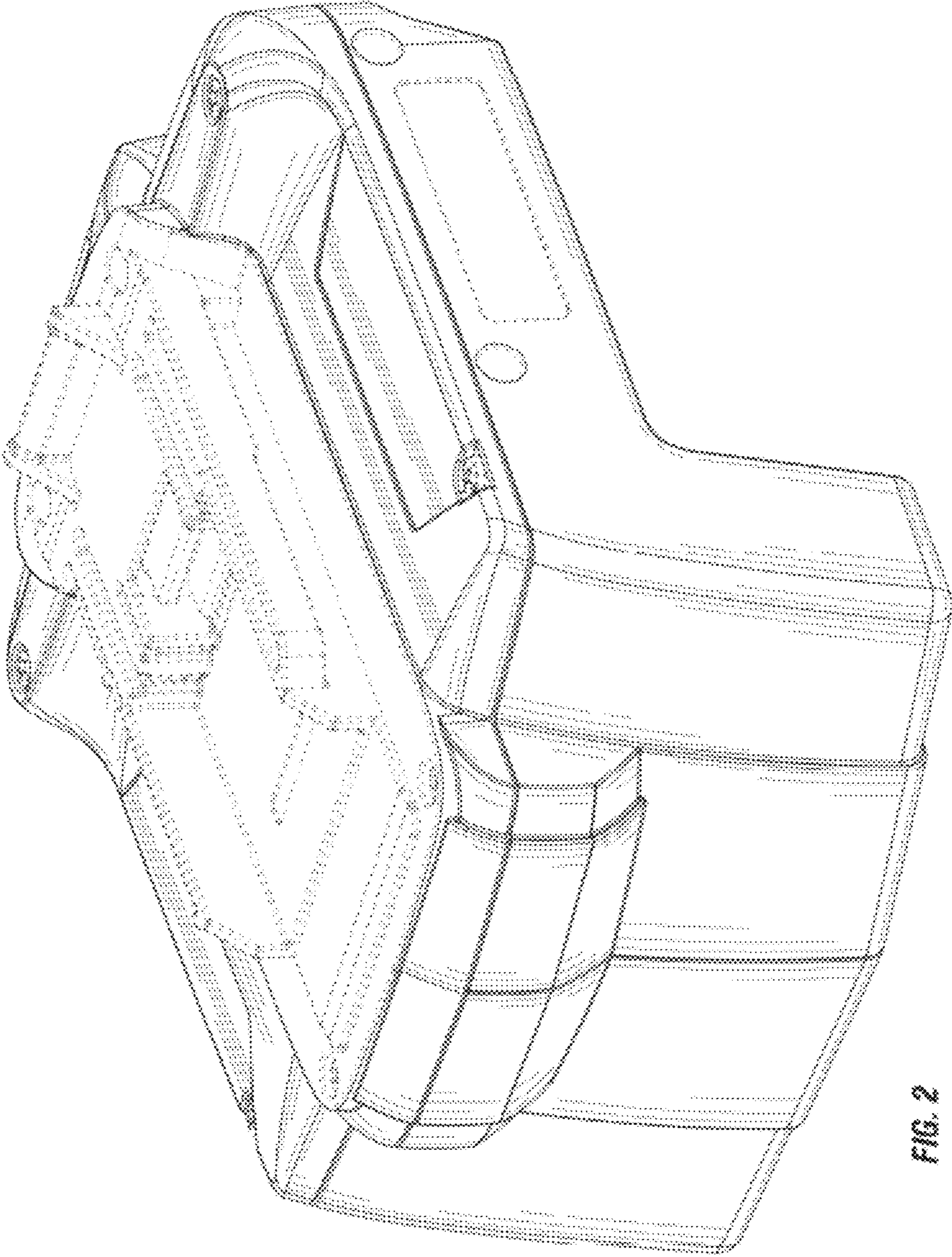
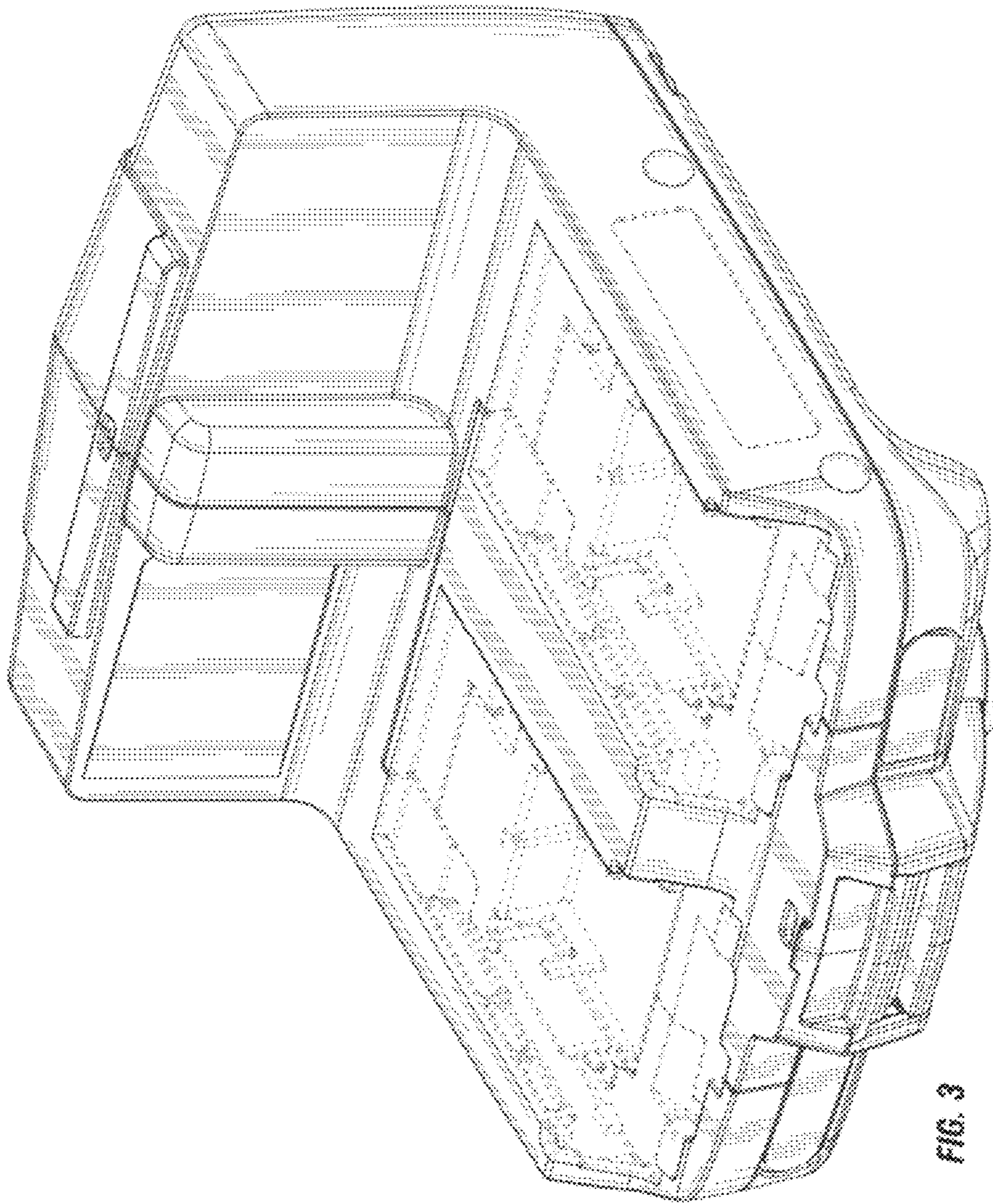


FIG. 2



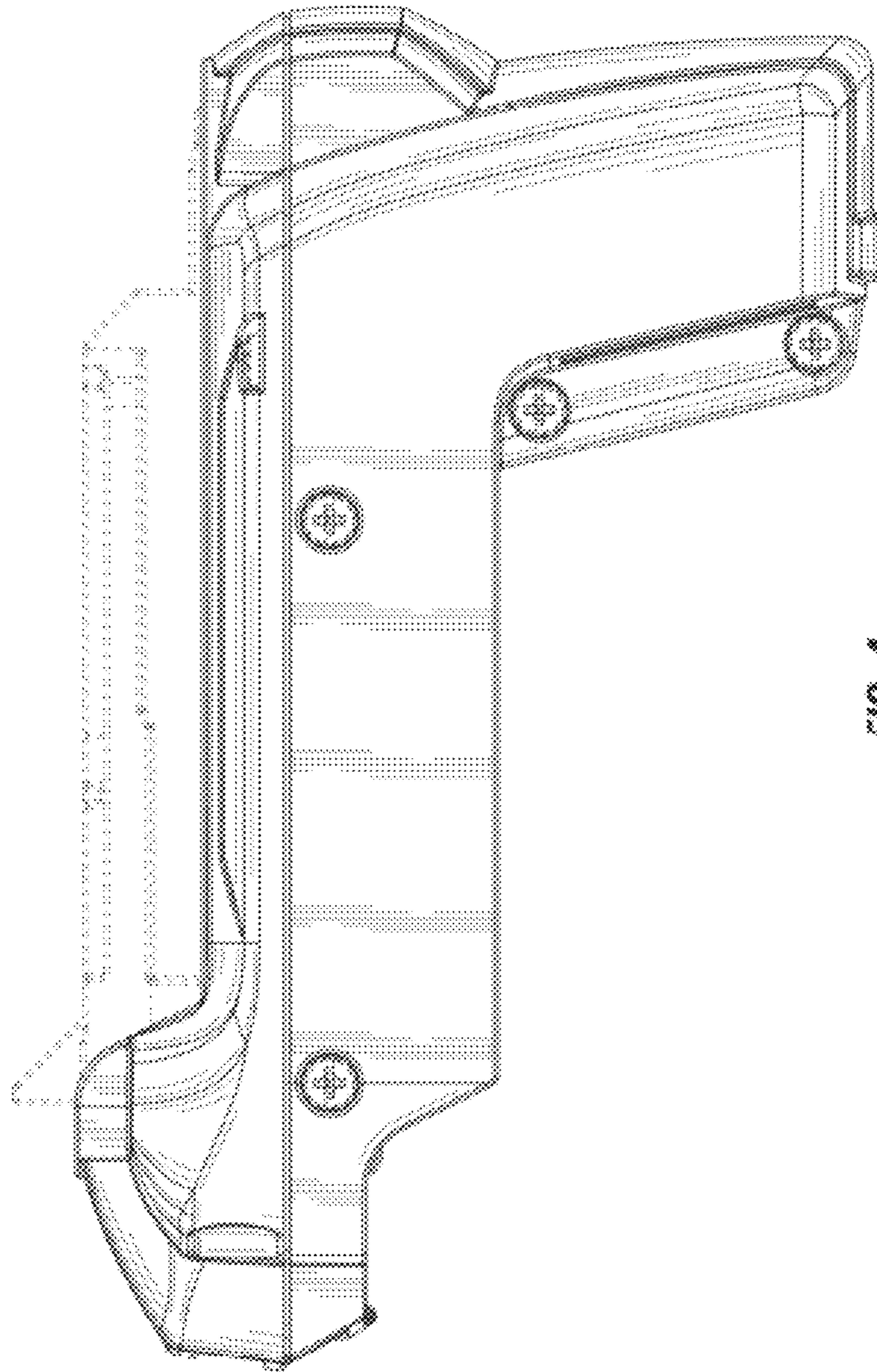


FIG. 4

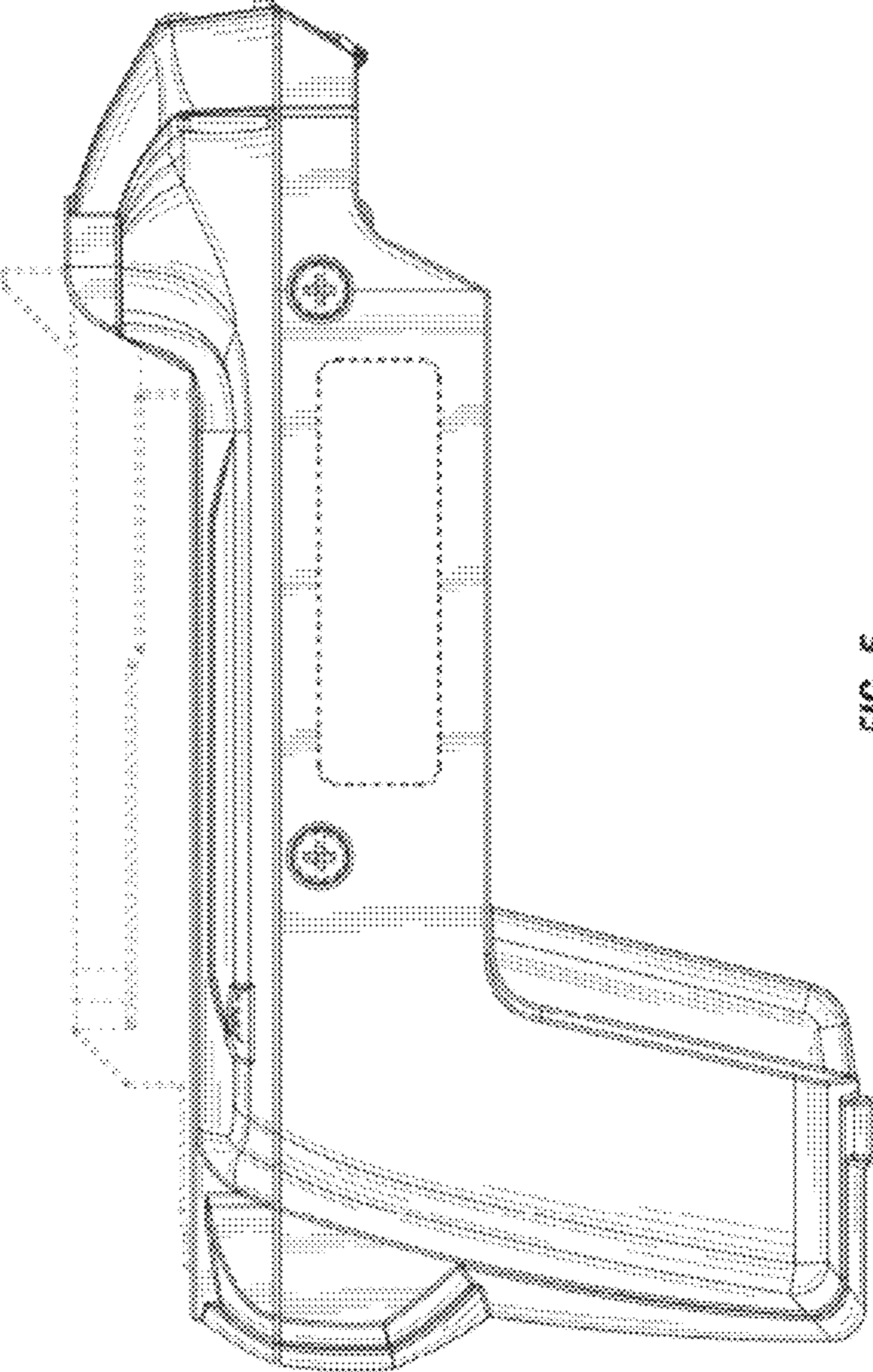


FIG. 5

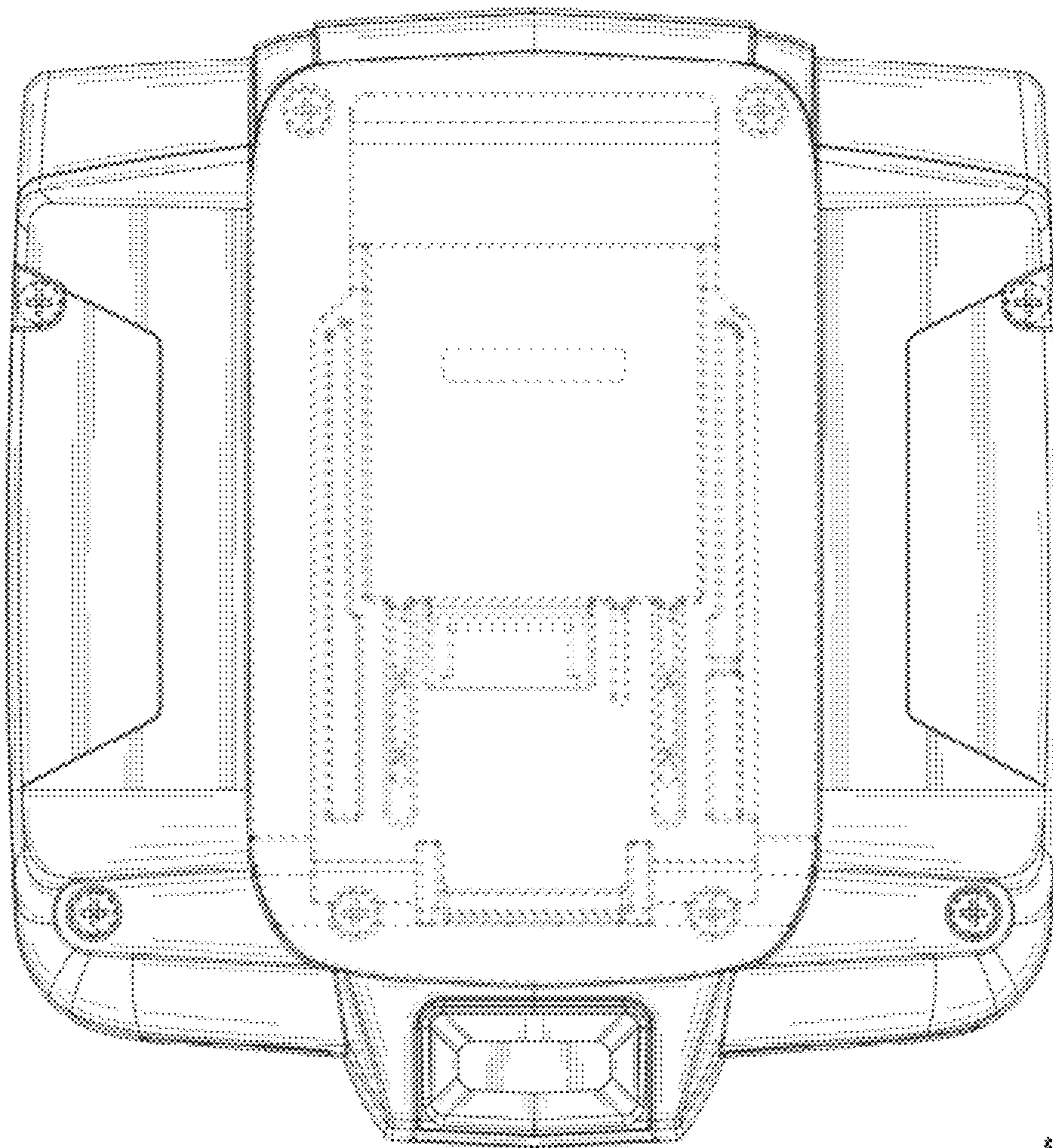


FIG. 6

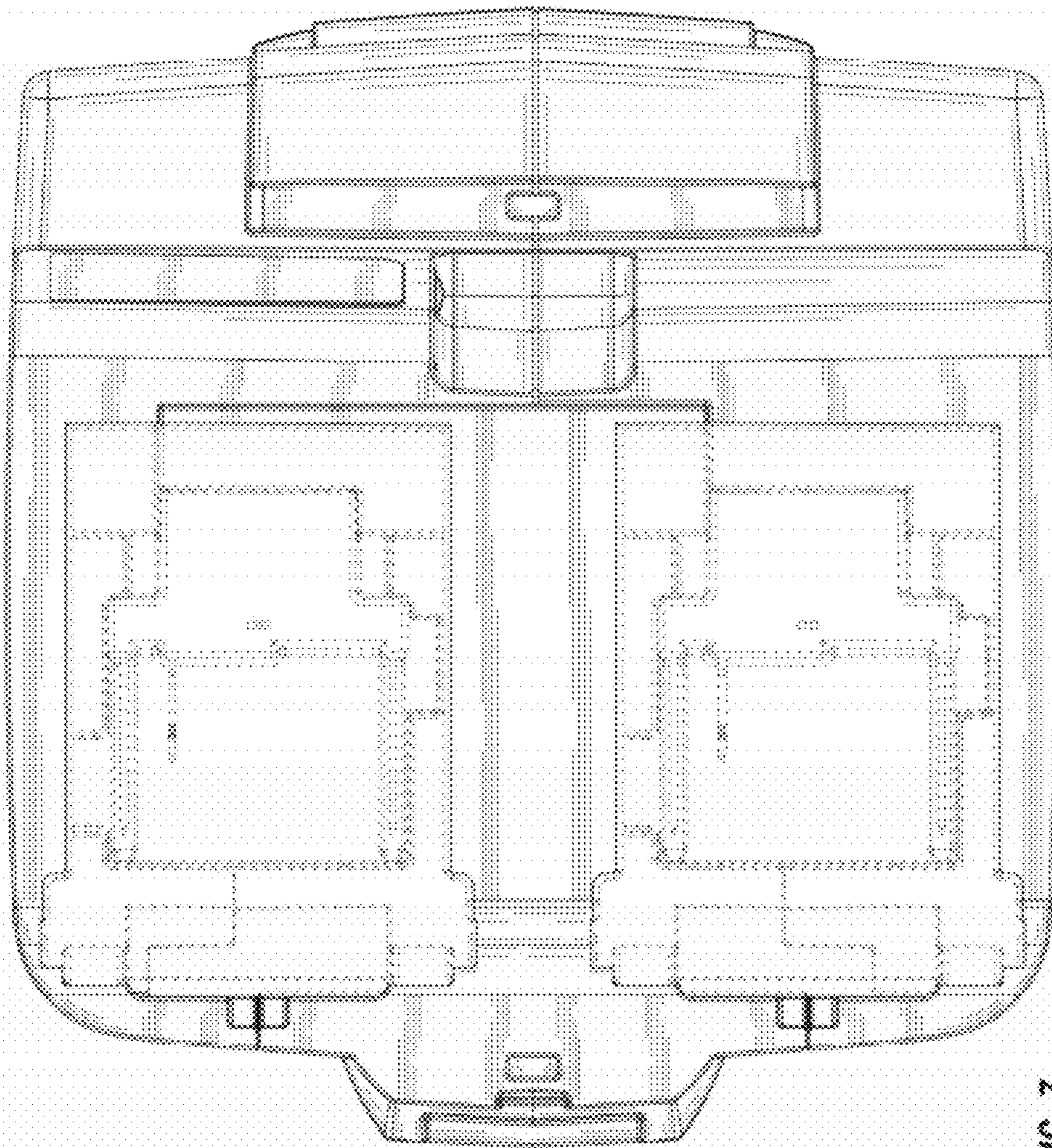


FIG. 7



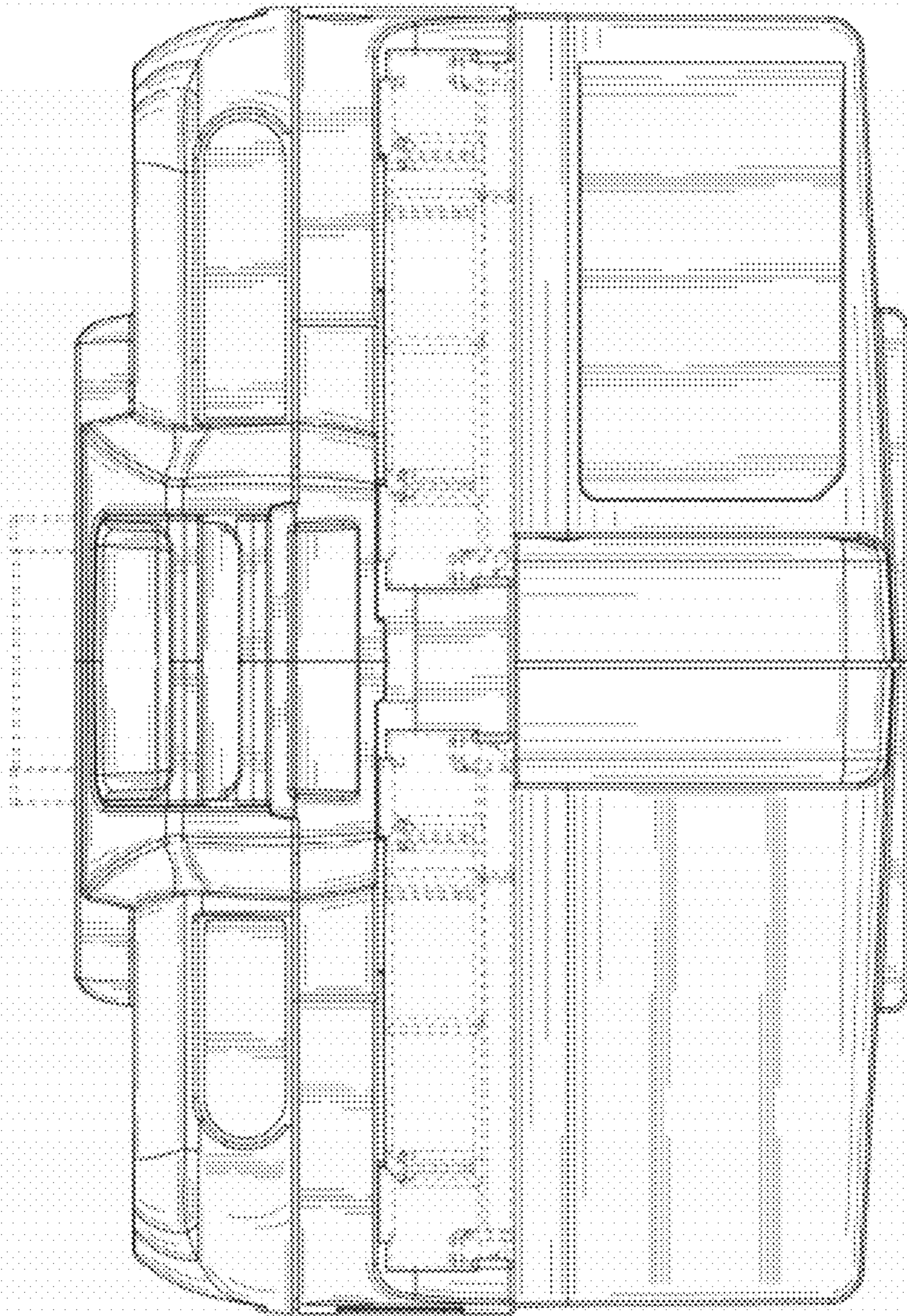


FIG. 8

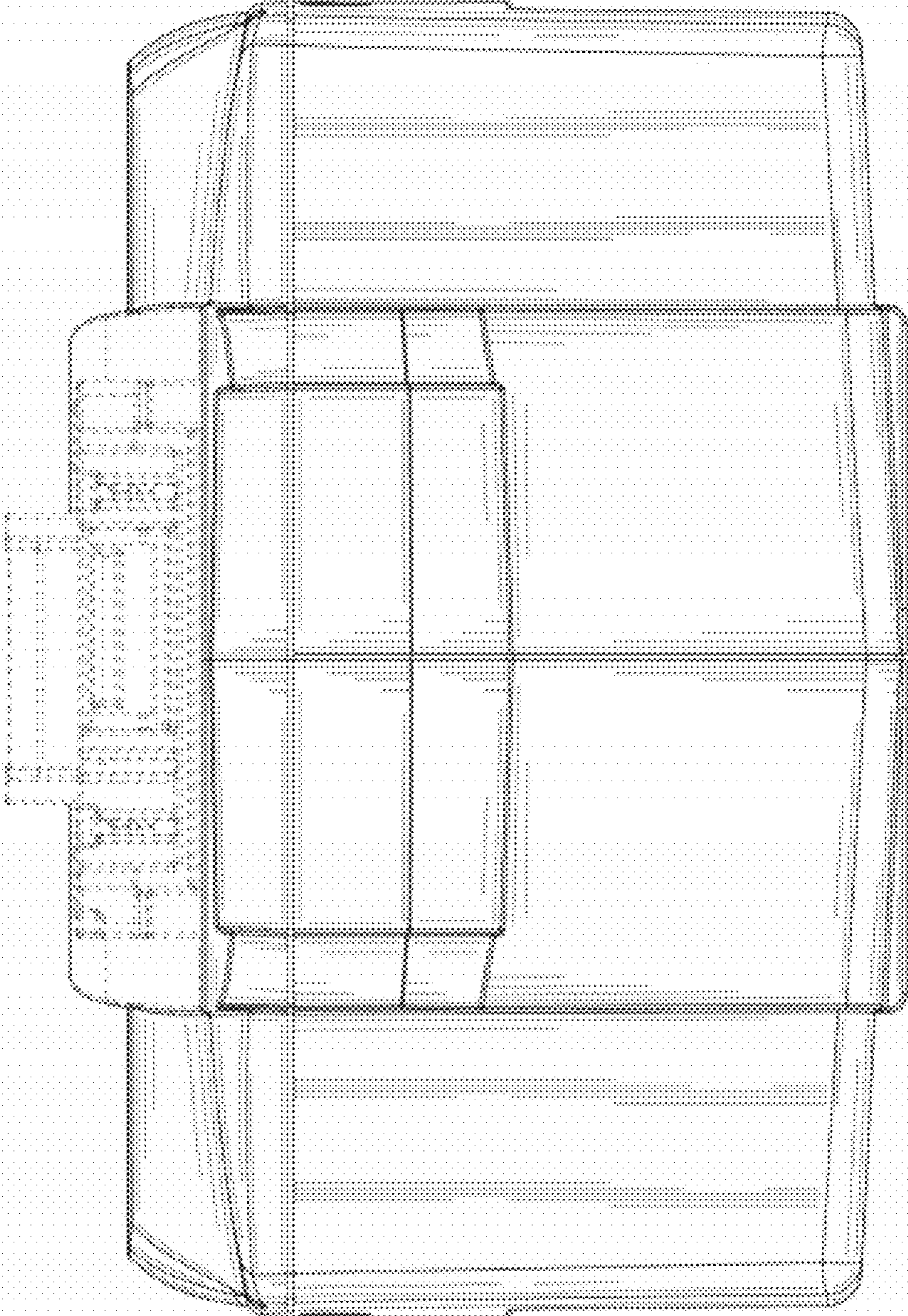


FIG. 9

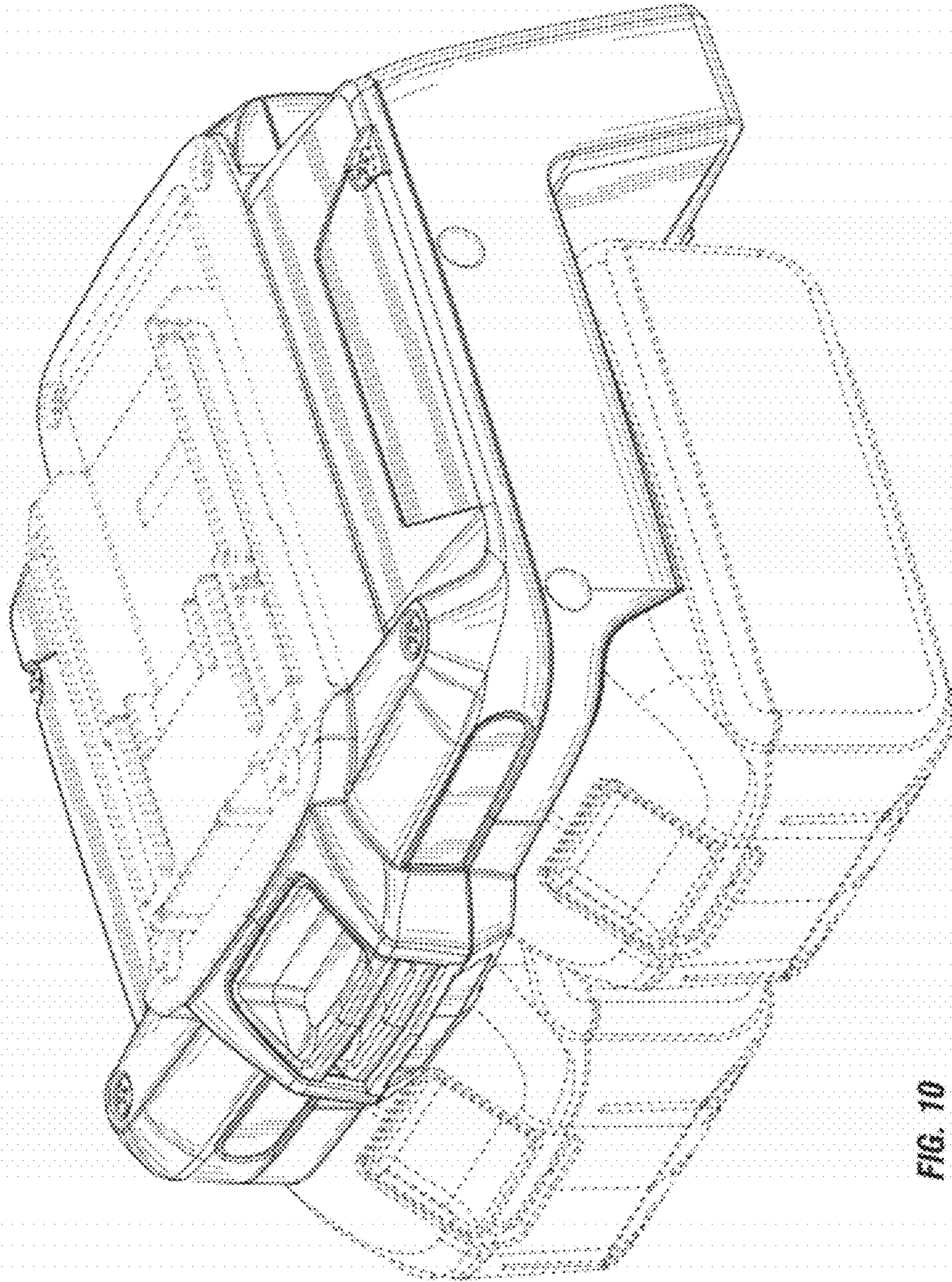


FIG. 10