



US00D659631S

(12) **United States Design Patent**
Laverack et al.

(10) **Patent No.:** **US D659,631 S**
(45) **Date of Patent:** **** May 15, 2012**

(54) **BICYCLE CRADLE**

(75) Inventors: **John Laverack**, Southbury, CT (US);
Greg Weaver, Waterbury, CT (US);
Timothy J. Makris, Sandy Hook, CT
(US); **Kevin Bogoslofski**, Southington,
CT (US); **Keith L. Prescott**, Cambridge,
VT (US)

(73) Assignee: **Thule Sweden AB**, Malmo (SE)

(**) Term: **14 Years**

(21) Appl. No.: **29/397,428**

(22) Filed: **Jul. 15, 2011**

(51) **LOC (9) Cl.** **12-11**

(52) **U.S. Cl.** **D12/408**

(58) **Field of Classification Search** D12/406-408,
D12/223, 111; 224/502, 505, 506, 324, 935,
224/421, 425-427, 496, 499, 490-493, 497,
224/924, 522, 533; 280/288.4, 304.5
See application file for complete search history.

(56) **References Cited**

U.S. PATENT DOCUMENTS

D612,320 S * 3/2010 Flaherty et al. D12/408
7,757,917 B2 * 7/2010 Bogoslofski et al. 224/537

D624,004 S * 9/2010 Farber D12/408
D634,258 S * 3/2011 Farber D12/408
D634,697 S * 3/2011 Weaver et al. D12/408
D647,452 S * 10/2011 Laverack et al. D12/408

* cited by examiner

Primary Examiner — Susan M Lee

Assistant Examiner — Linda G. Brooks

(74) *Attorney, Agent, or Firm* — Novak Druce+Quigg LLP

(57) **CLAIM**

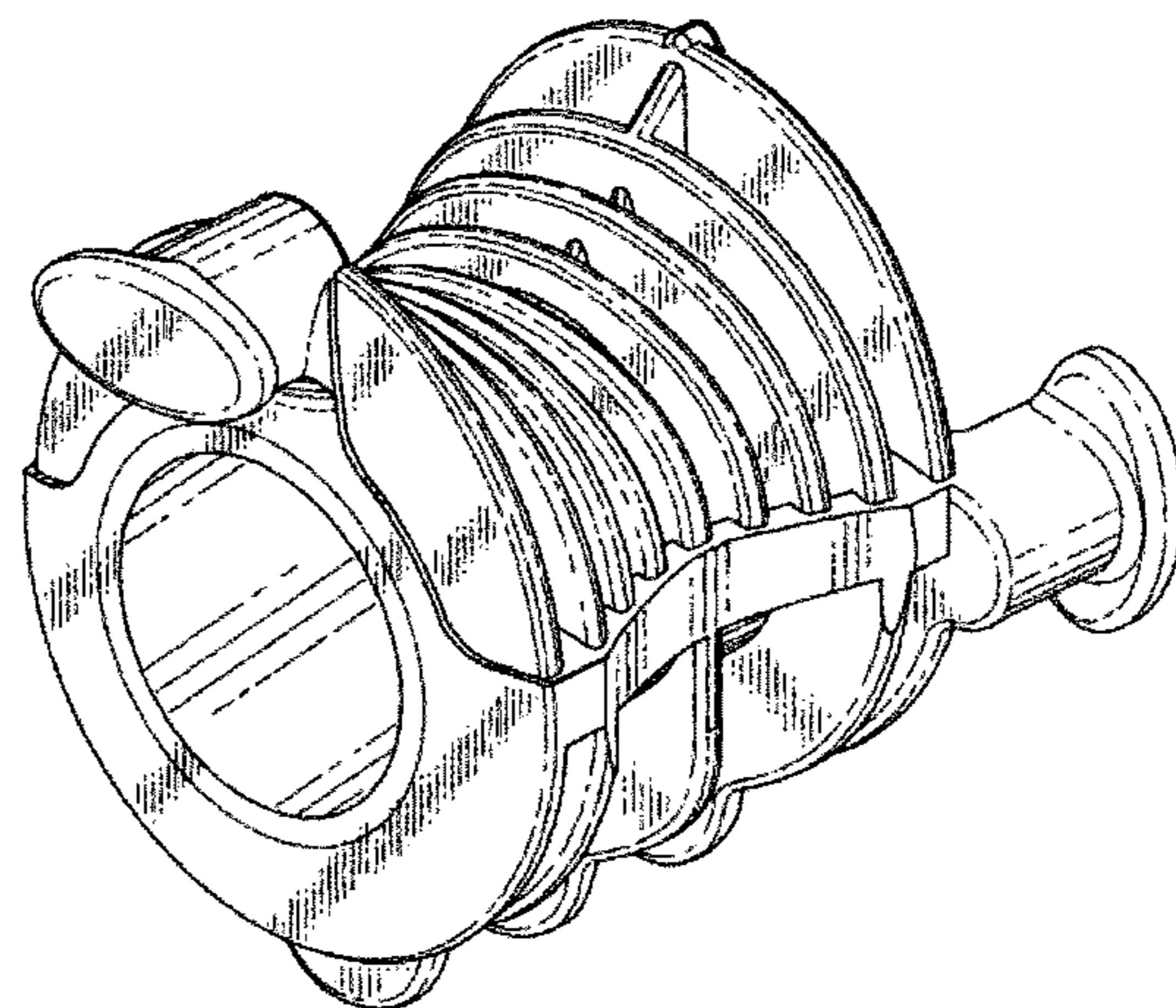
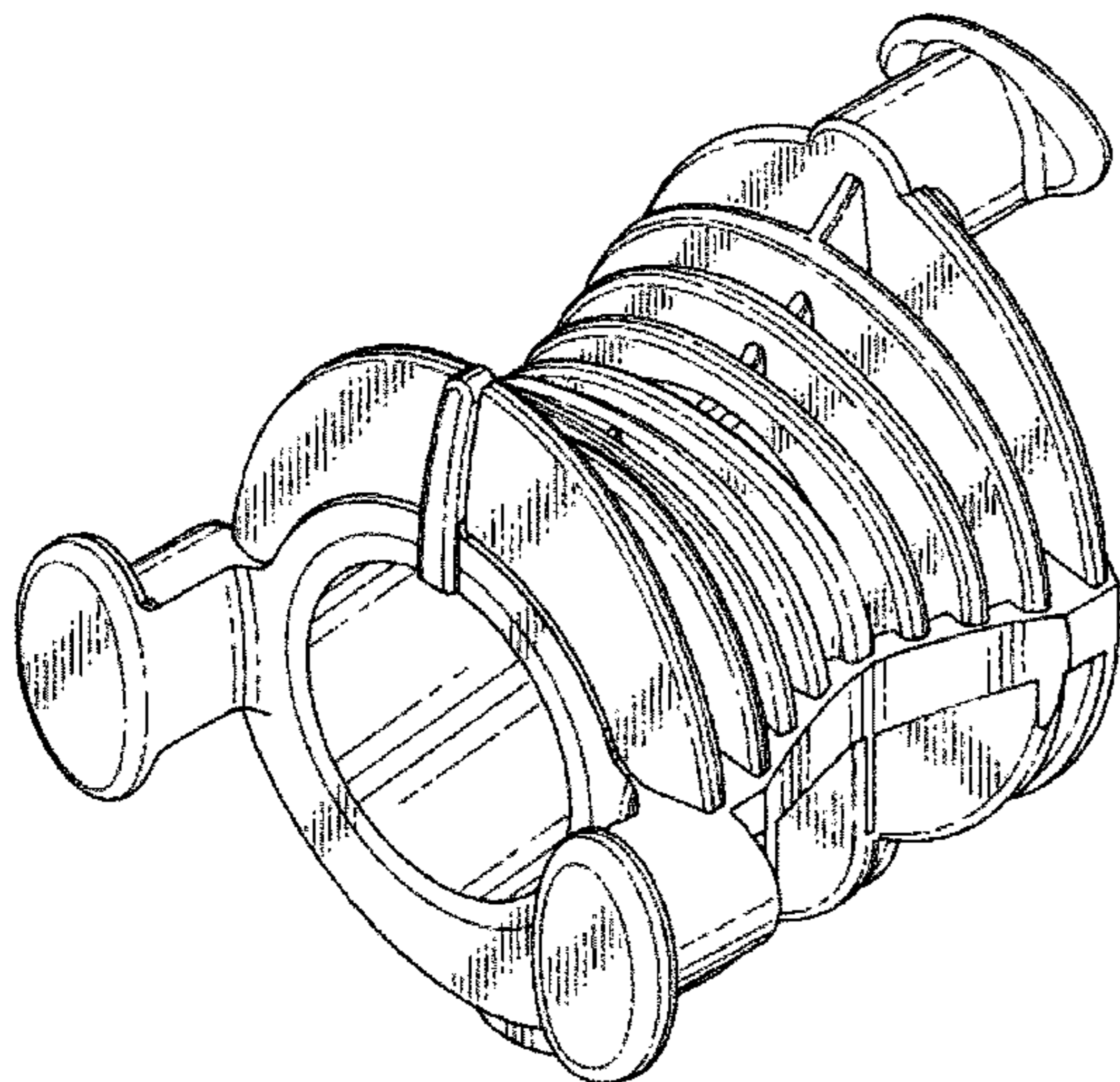
We claim the ornamental design for a bicycle cradle, as shown and described.

DESCRIPTION

FIG. 1 is a perspective view of a bicycle cradle;
FIG. 2 is an upper perspective view of a bicycle cradle;
FIG. 3 is a lower perspective view thereof;
FIG. 4 is a front elevational view thereof;
FIG. 5 is a rear elevational view thereof;
FIG. 6 is a left side elevational view thereof;
FIG. 7 is a right side elevational view thereof;
FIG. 8 is a top plan view thereof; and,
FIG. 9 is a bottom plan view thereof.

The broken lines are directed to environment and are for illustrative purposes; the broken lines form no part of the claimed design.

1 Claim, 6 Drawing Sheets



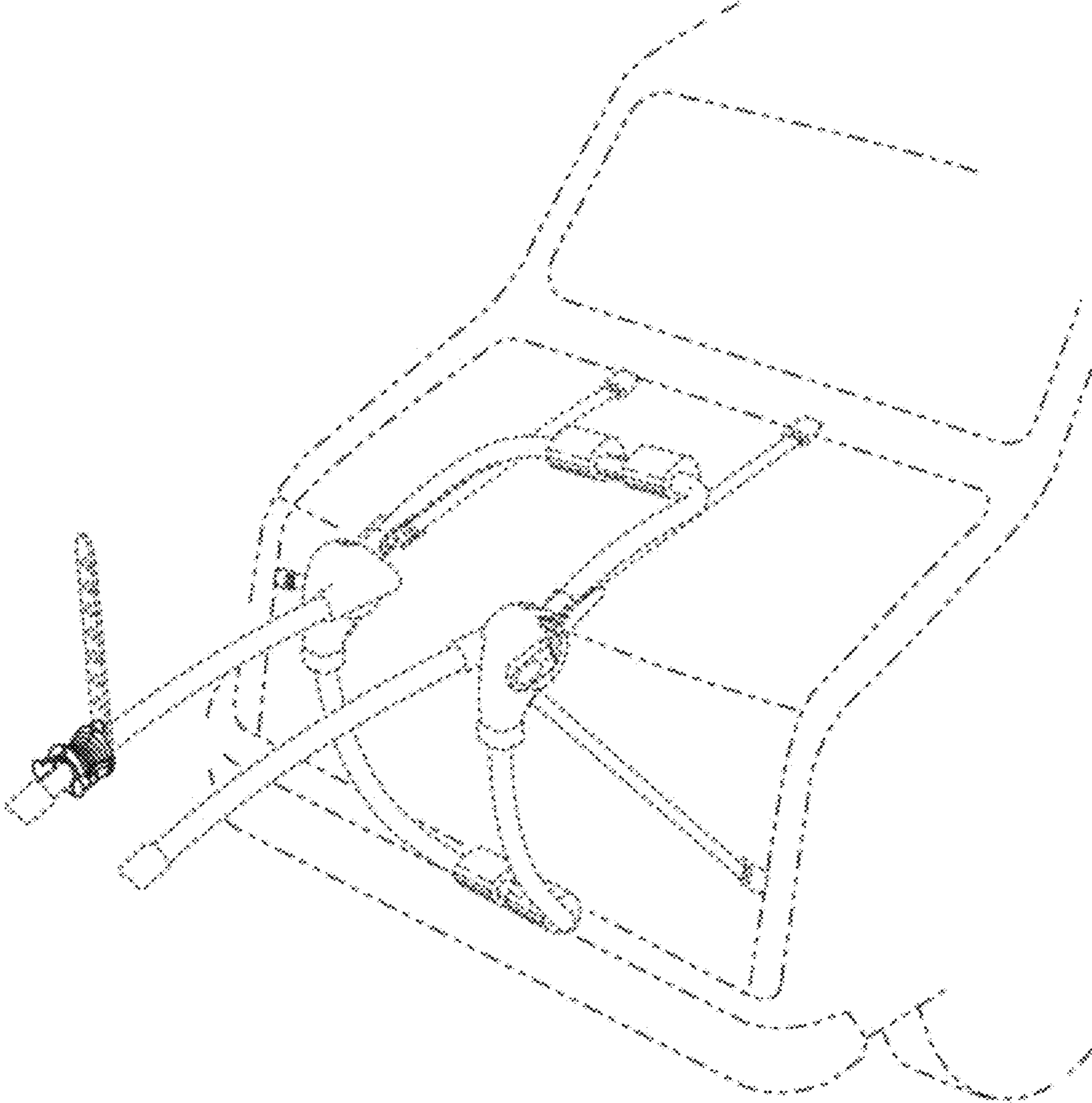


FIG. 1

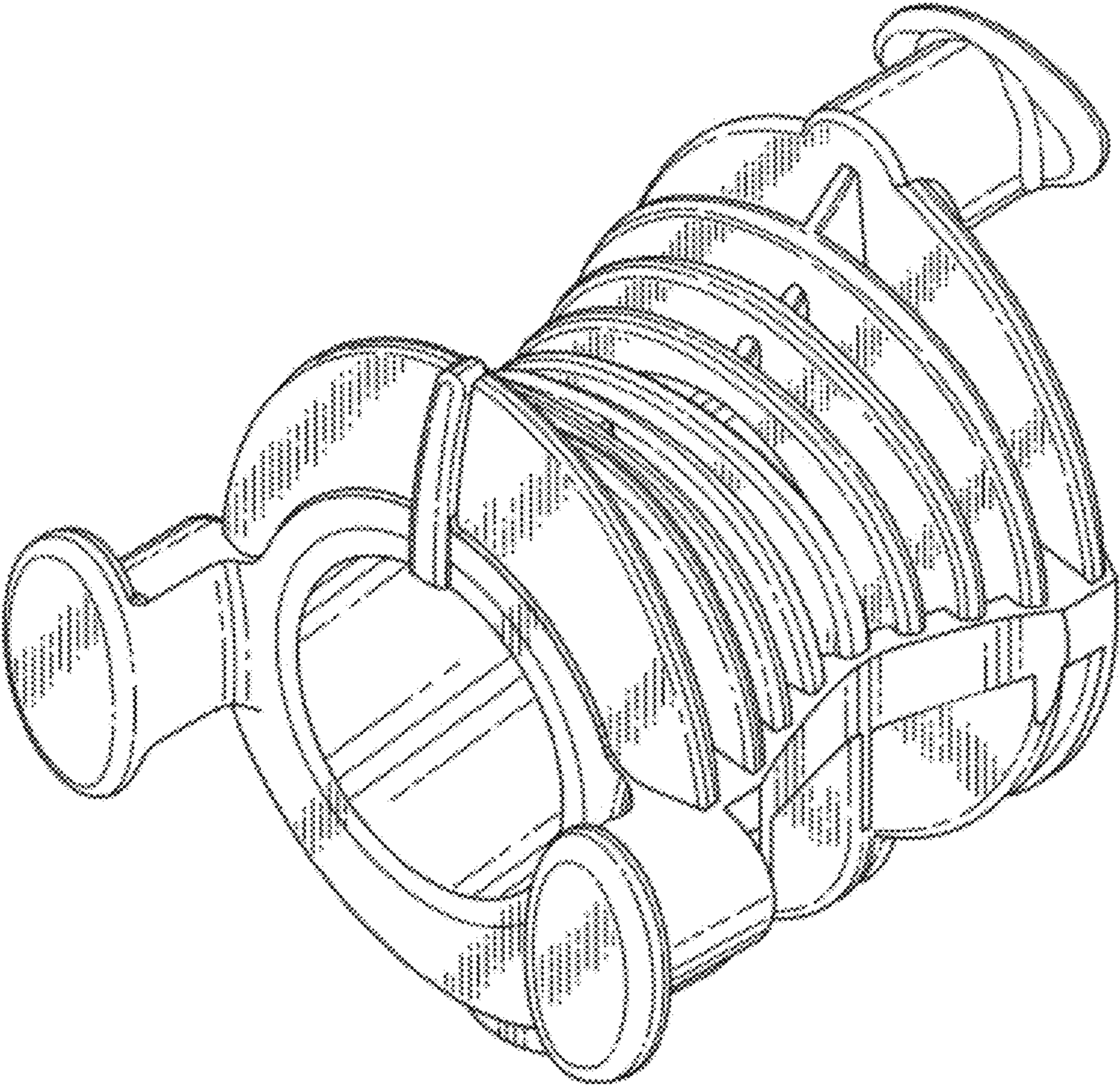


FIG. 2

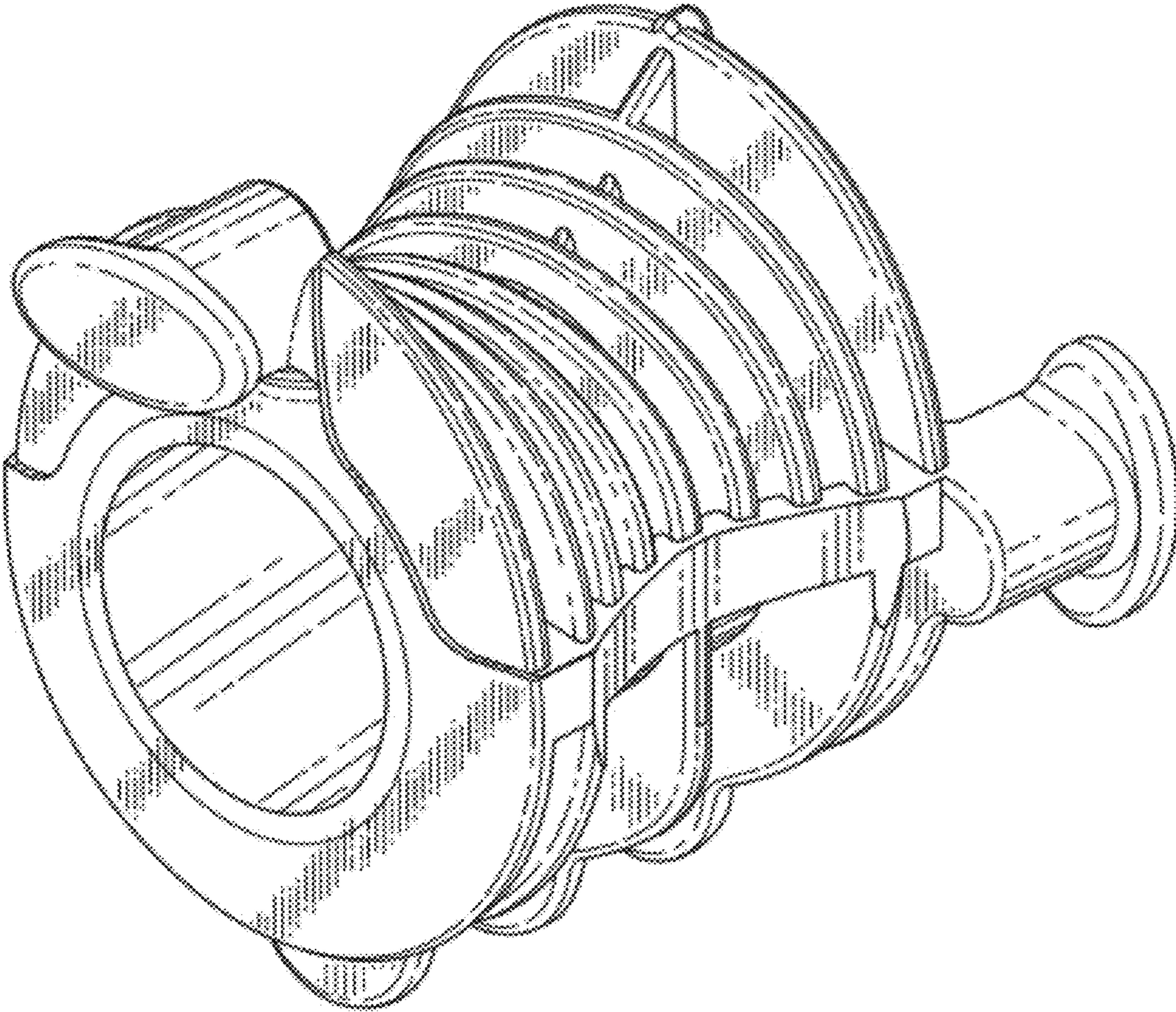


FIG. 3

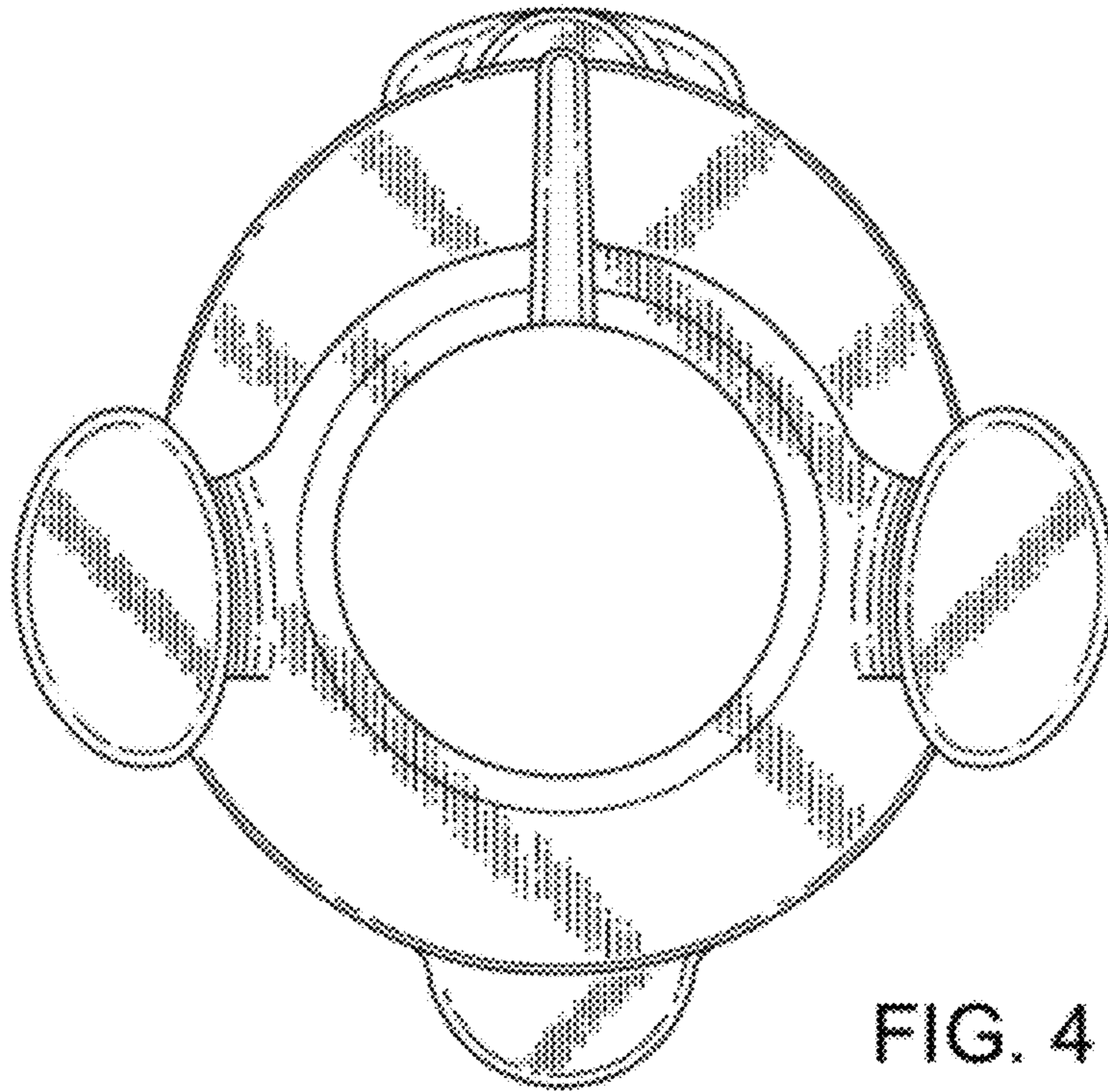


FIG. 4

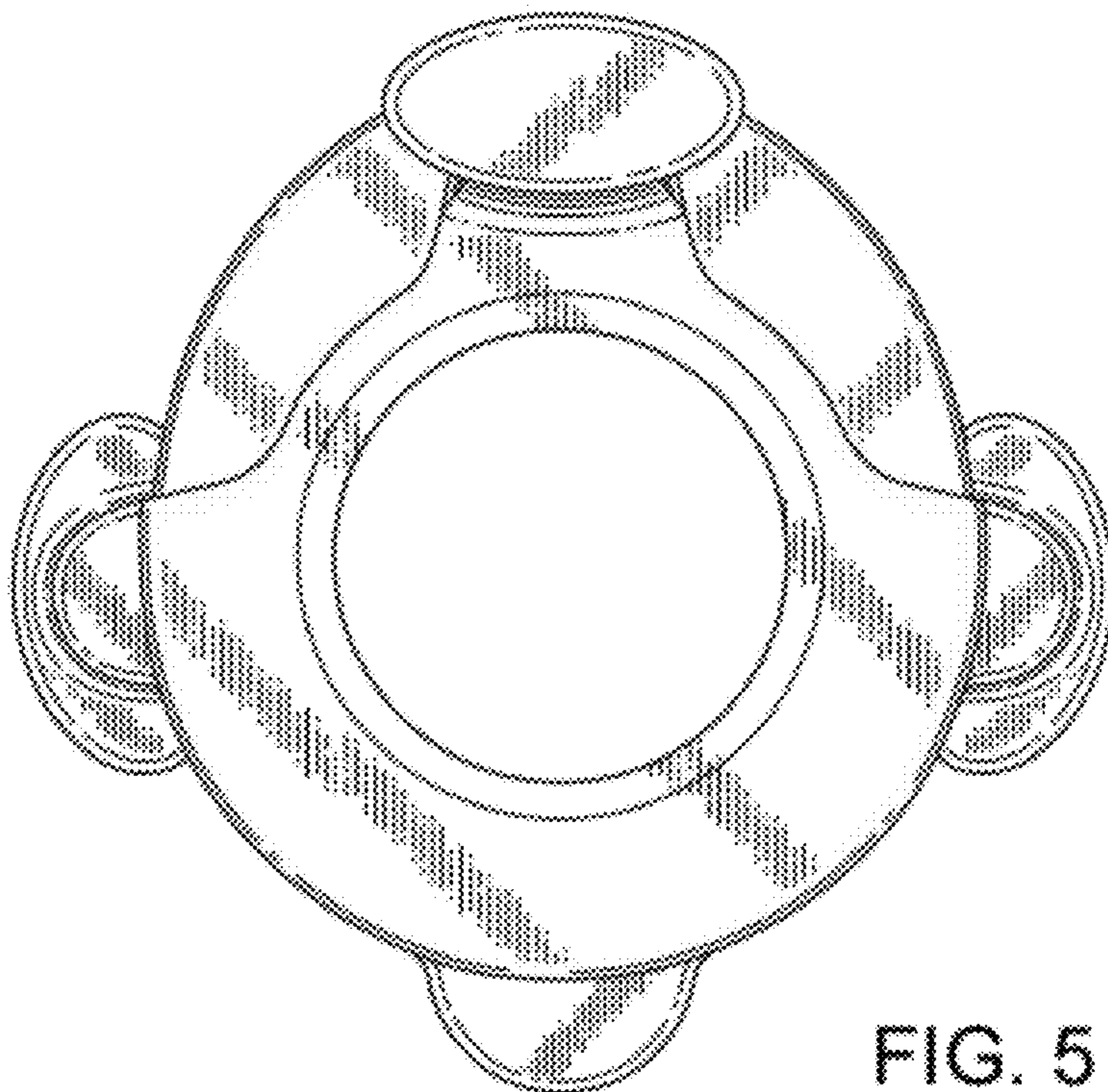


FIG. 5

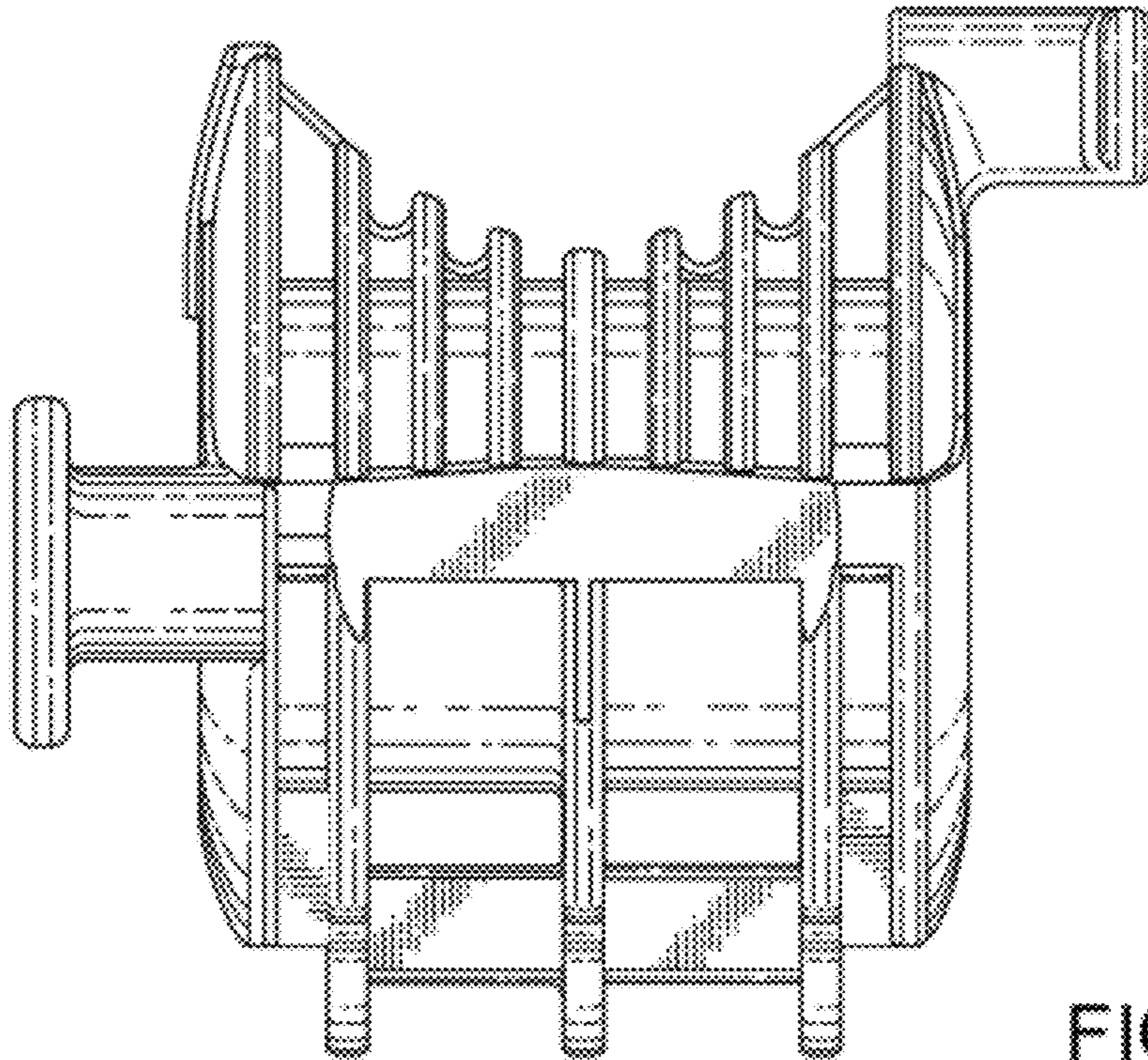


FIG. 6

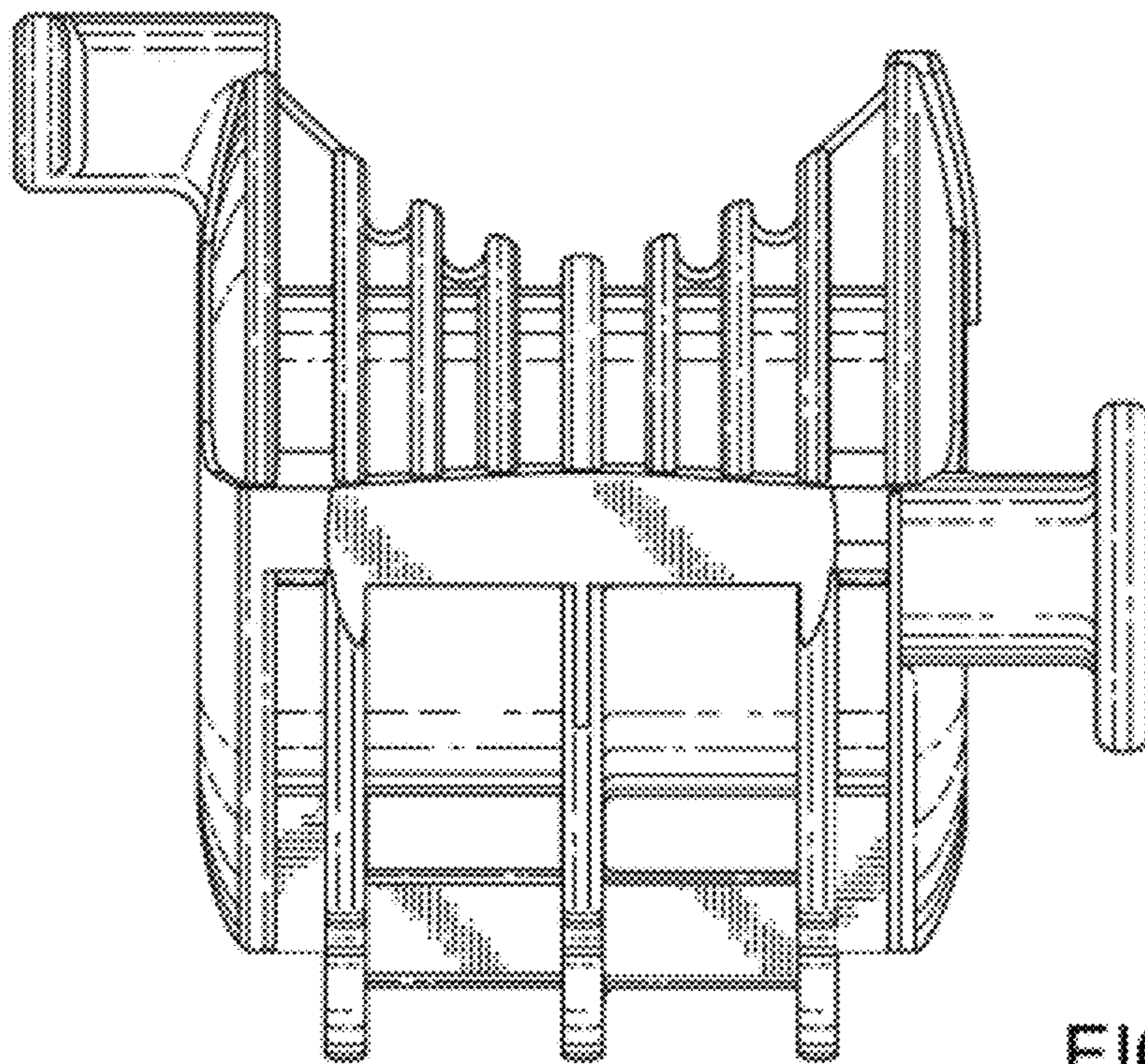


FIG. 7

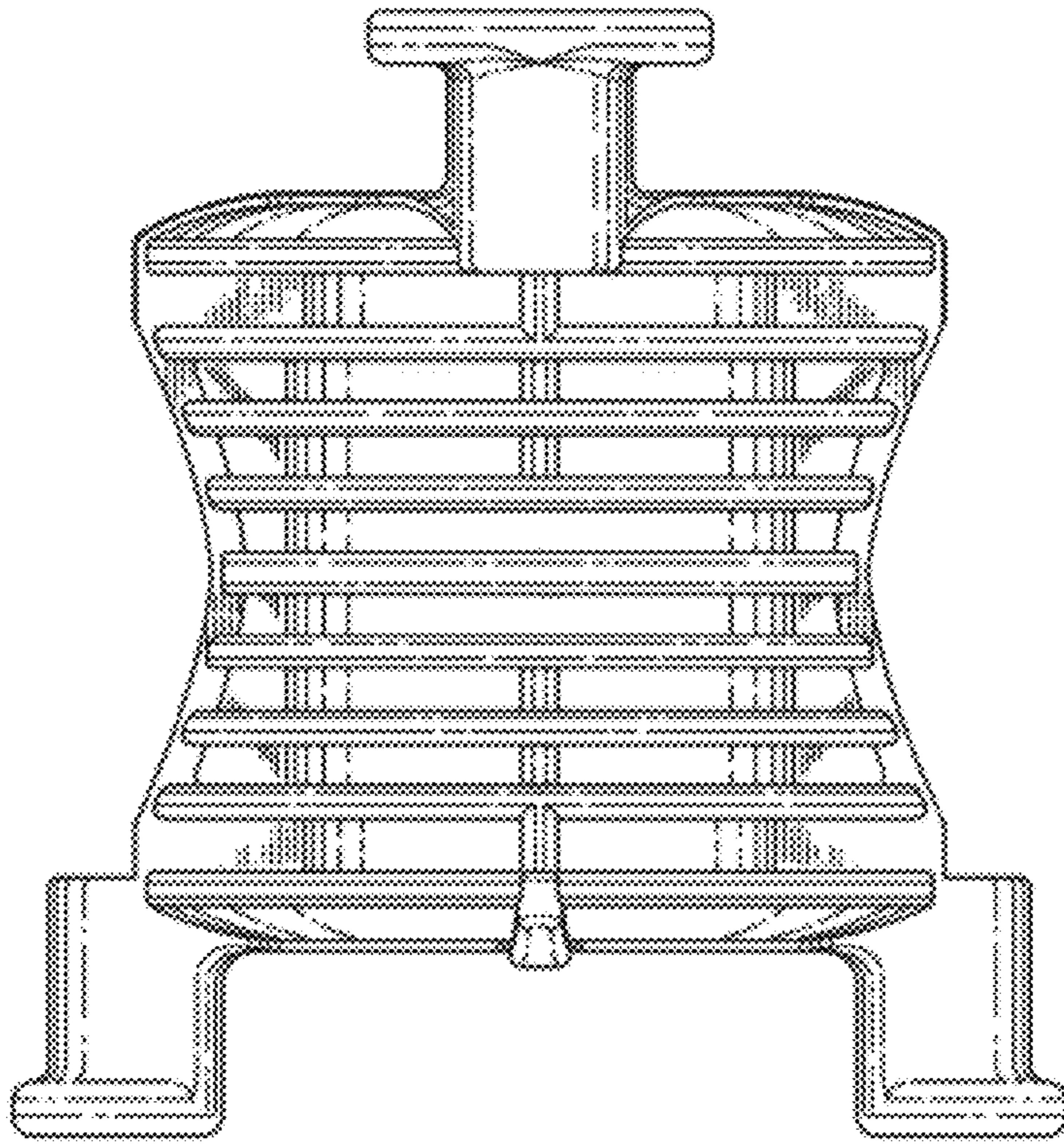


FIG. 8

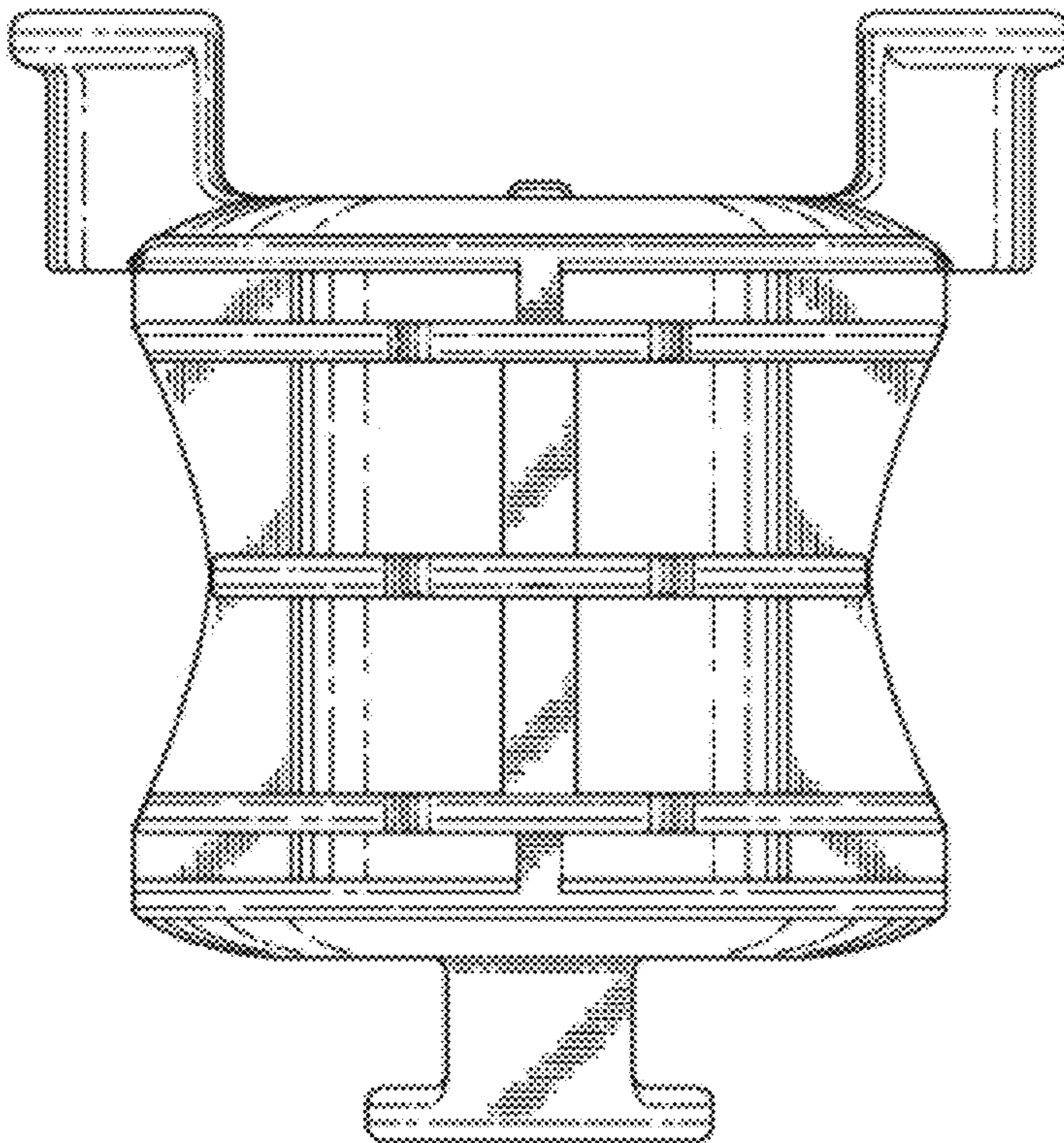


FIG. 9