



US00D659622S

(12) **United States Design Patent**
Matsumoto et al.

(10) **Patent No.:** **US D659,622 S**
(45) **Date of Patent:** **** May 15, 2012**

- (54) **DOOR FOR AN AUTOMOBILE**
- (75) Inventors: **Tomonori Matsumoto**, Newport Beach, CA (US); **Hirotda Kobayashi**, Toyota (JP)
- (73) Assignee: **Toyota Jidosha Kabushiki Kaisha**, Toyota-shi (JP)
- (**) Term: **14 Years**
- (21) Appl. No.: **29/388,631**
- (22) Filed: **Mar. 31, 2011**
- (51) **LOC (9) Cl.** **12-16**
- (52) **U.S. Cl.** **D12/196**
- (58) **Field of Classification Search** D12/196, D12/90-92, 86; 296/181.1, 181.5
See application file for complete search history.

- D620,861 S * 8/2010 Froehlich D12/196
- D629,730 S * 12/2010 Schneider D12/196
- D644,974 S * 9/2011 Kumai et al. D12/196

OTHER PUBLICATIONS

Kia Forte, netcarshow.com, <http://netcarshow.com/KIA/2010/Forte>, dated 2010.

* cited by examiner

Primary Examiner — Melody N Brown

(74) *Attorney, Agent, or Firm* — Finnegan, Henderson, Farabow, Garrett & Dunner, LLP

(57) **CLAIM**

The ornamental design for a door for an automobile, as shown and described.

DESCRIPTION

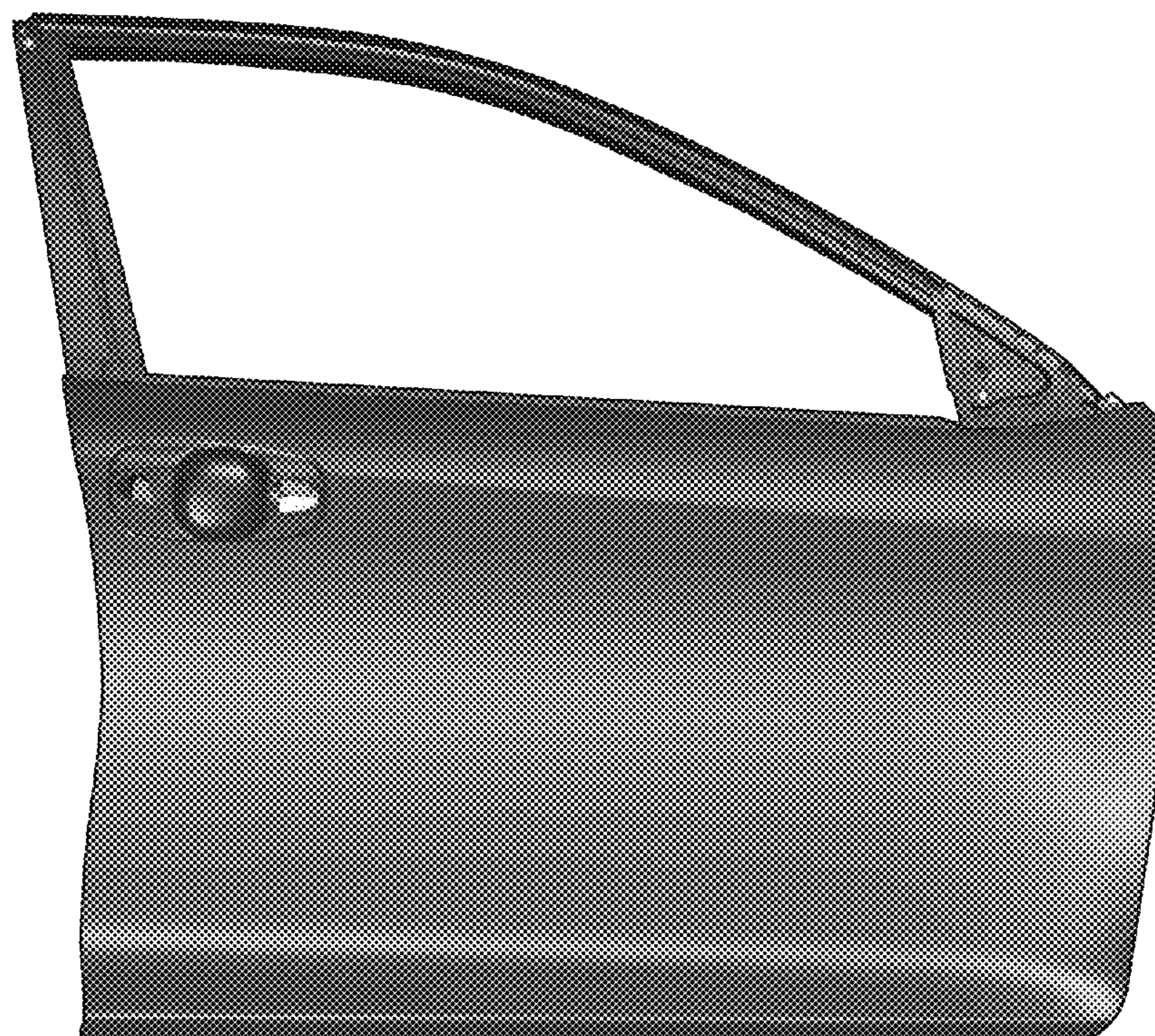
FIG. 1 is a front perspective view of a door for an automobile of our new design;
FIG. 2 is a front view thereof;
FIG. 3 is a rear view thereof;
FIG. 4 is a top plan view thereof;
FIG. 5 is a bottom view thereof;
FIG. 6 is a right side view thereof; and,
FIG. 7 is a left side view thereof.
Our design includes a mirror image of the embodiment depicted.

1 Claim, 5 Drawing Sheets

(56) **References Cited**

U.S. PATENT DOCUMENTS

- D491,859 S * 6/2004 Velazco D12/196
- D556,111 S * 11/2007 Levy D12/196
- D583,288 S * 12/2008 Leclercq D12/196
- D597,011 S * 7/2009 Habib D12/196
- D598,355 S * 8/2009 Sato et al. D12/196
- D620,415 S * 7/2010 Froehlich D12/196



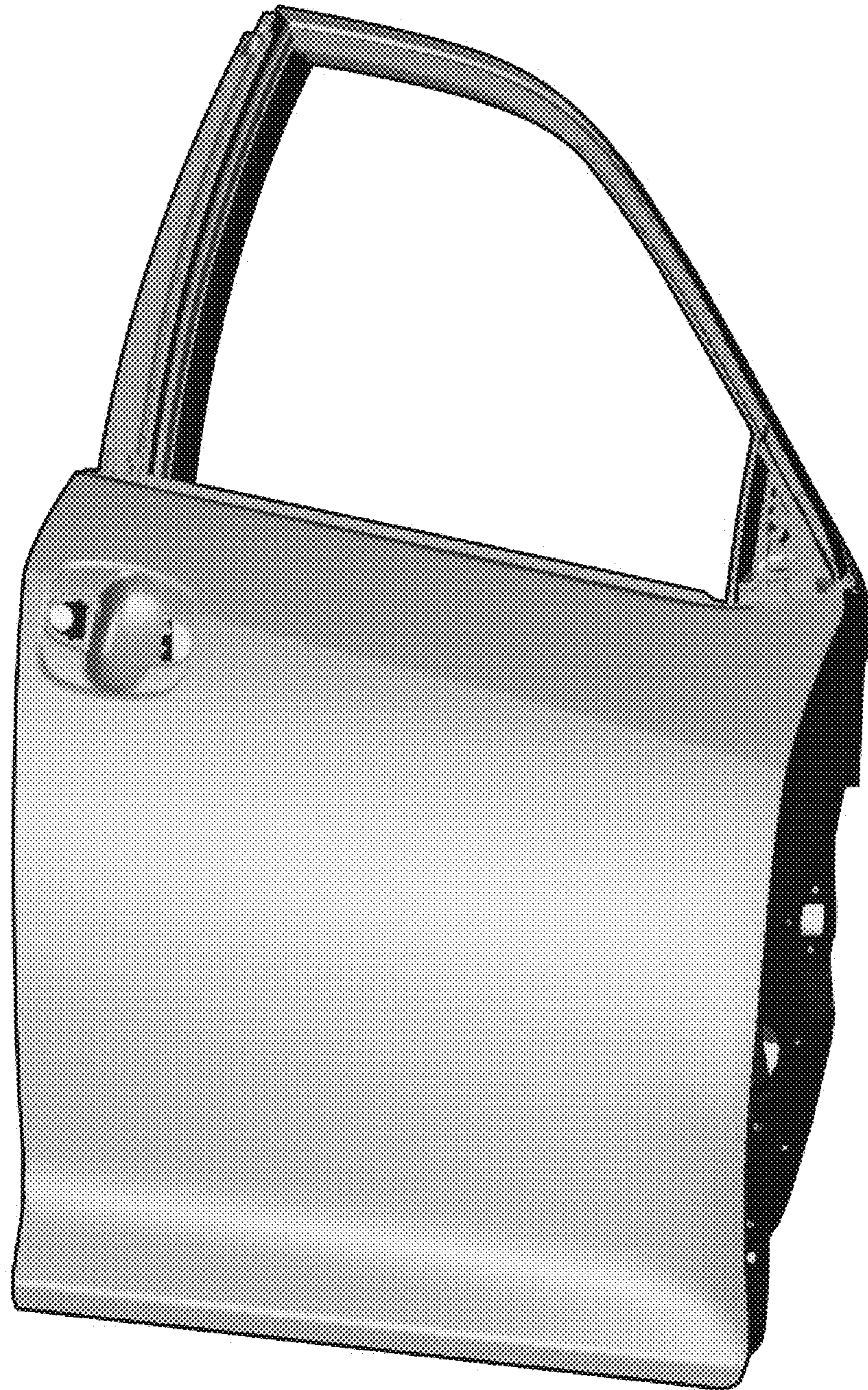


FIG. 1

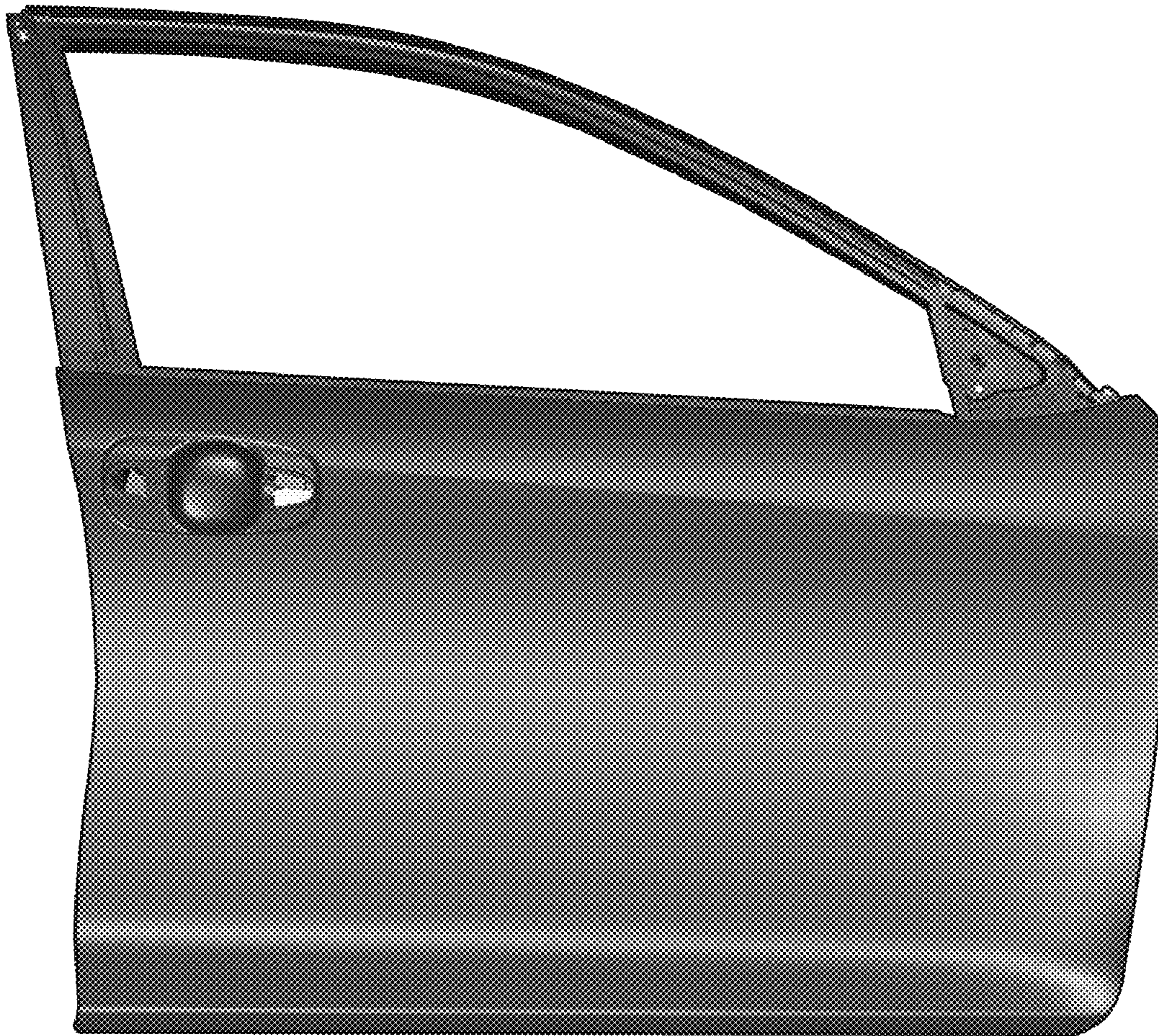


FIG. 2

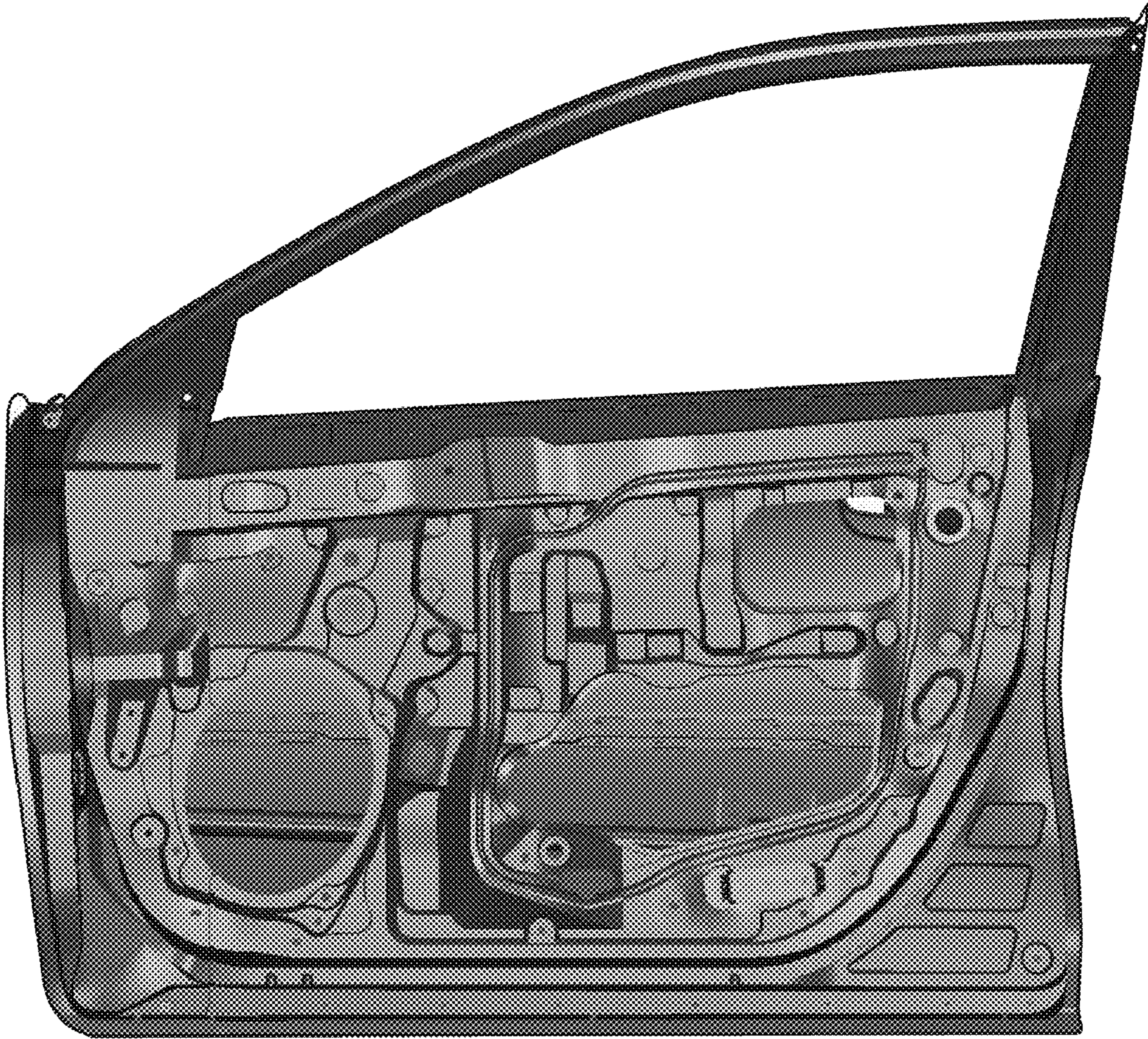


FIG. 3

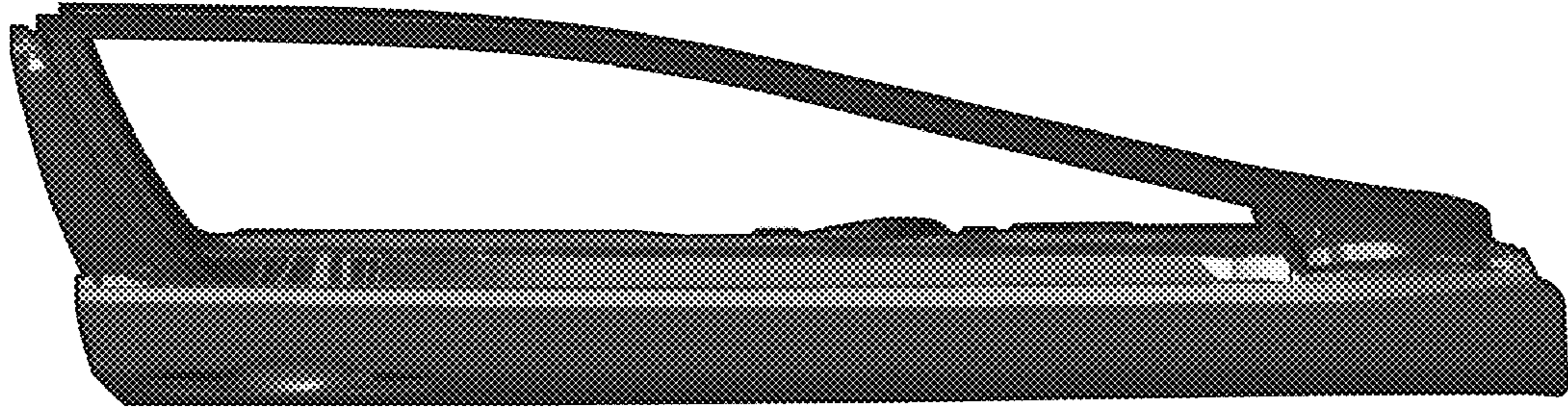


FIG. 4

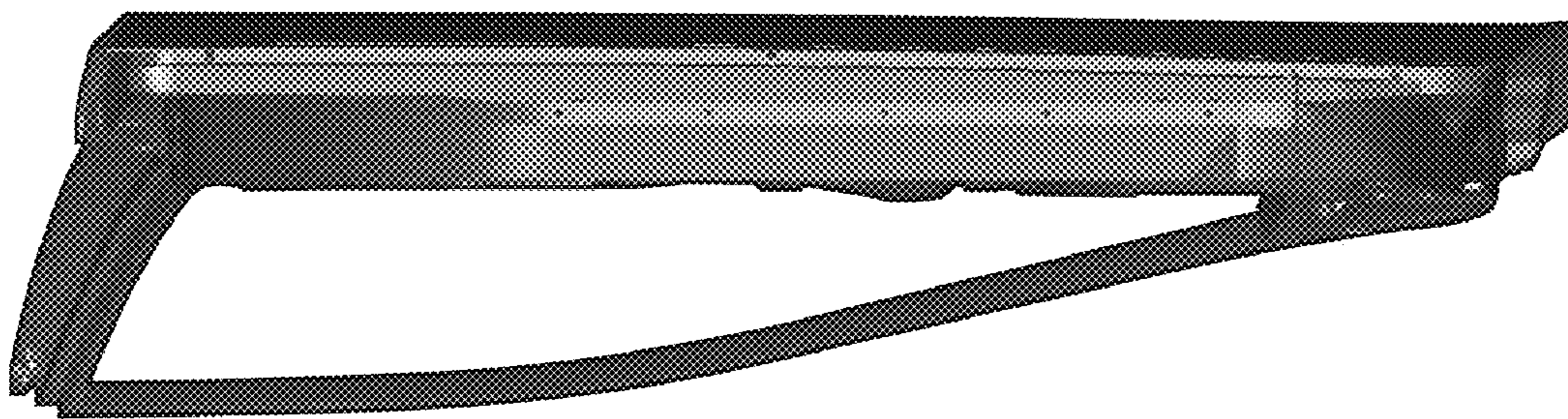


FIG. 5

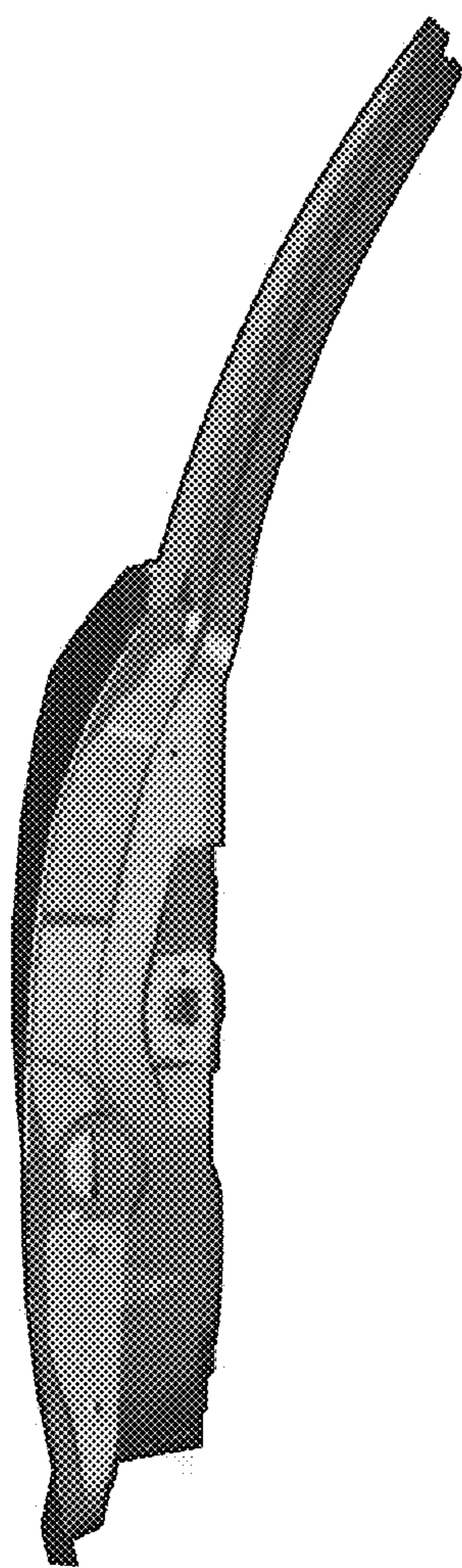


FIG. 6

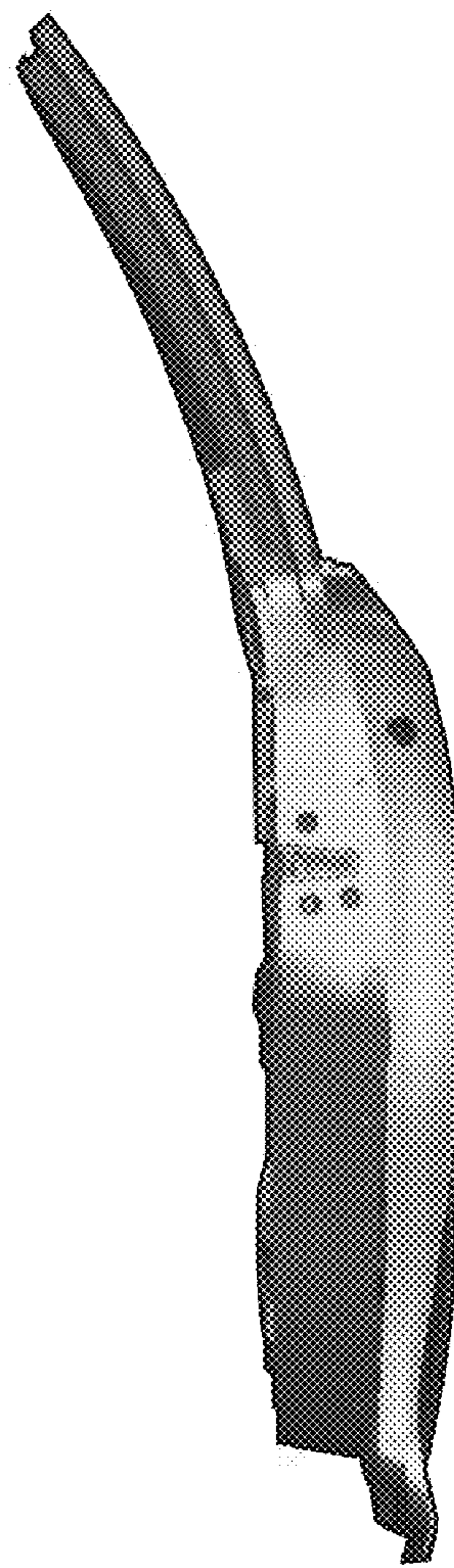


FIG. 7