



US00D659617S

(12) **United States Design Patent**
Brockington et al.

(10) **Patent No.:** **US D659,617 S**

(45) **Date of Patent:** **** May 15, 2012**

(54) **SUPPLEMENTARY MIRROR**

(75) Inventors: **William T. Brockington**, Kernersville,
NC (US); **Bruce A. Angel**, Stokesdale,
NC (US)

(73) Assignee: **Camco Manufacturing, Inc.**,
Greensboro, NC (US)

(**) Term: **14 Years**

(21) Appl. No.: **29/372,004**

(22) Filed: **Oct. 1, 2010**

(51) **LOC (9) Cl.** **12-16**

(52) **U.S. Cl.** **D12/187**

(58) **Field of Classification Search** D12/187,
D12/188, 189; D6/300, 309; 359/838, 841-844,
359/868, 871, 604, 881, 514, 866; 248/475.1,
248/479-483

See application file for complete search history.

(56) **References Cited**

U.S. PATENT DOCUMENTS

191,011	A	*	5/1877	Moats	256/7
3,003,396	A	*	10/1961	Jenkins	359/868
3,063,344	A	*	11/1962	Slate	359/871
D217,083	S	*	4/1970	Neale	D2/917
D299,491	S	*	1/1989	Masuda	D12/188
D332,246	S	*	1/1993	Yeh	D12/188
D361,003	S	*	8/1995	Keller et al.	D6/449
D376,571	S	*	12/1996	Kokat	D12/187
D390,523	S	*	2/1998	Bradley	D12/187
D391,214	S		2/1998	Hook et al.		
D450,281	S		11/2001	Ypma et al.		
D450,641	S	*	11/2001	Song	D12/187
D451,869	S		12/2001	Knapp et al.		

D466,456	S		12/2002	Carter et al.		
D498,446	S	*	11/2004	Bradley	D12/187
D499,678	S	*	12/2004	Bradley	D12/187
D556,105	S		11/2007	Carter et al.		
D556,106	S		11/2007	Carter et al.		
D577,320	S		9/2008	Choi et al.		
D577,639	S		9/2008	Choi et al.		
D579,839	S		11/2008	Gale et al.		

OTHER PUBLICATIONS

Ref. No. 1, Auxiliary Safety Mirror, (Model #E23557), 2 pages, Best Offer Buy website (www.bestofferbuy.com), Sep. 21, 2010.

* cited by examiner

Primary Examiner — Caron D Veynar

Assistant Examiner — Katrina Kile

(57) **CLAIM**

The ornamental design for a supplementary mirror, as shown and described.

DESCRIPTION

FIG. 1 is a front, top right perspective view of a supplementary mirror according to the invention;

FIG. 2 is a front, bottom right perspective view according to the invention;

FIG. 3 is a front elevational view according to the invention;

FIG. 4 is a rear elevational view according to the invention;

FIG. 5 is a right elevational view according to the invention

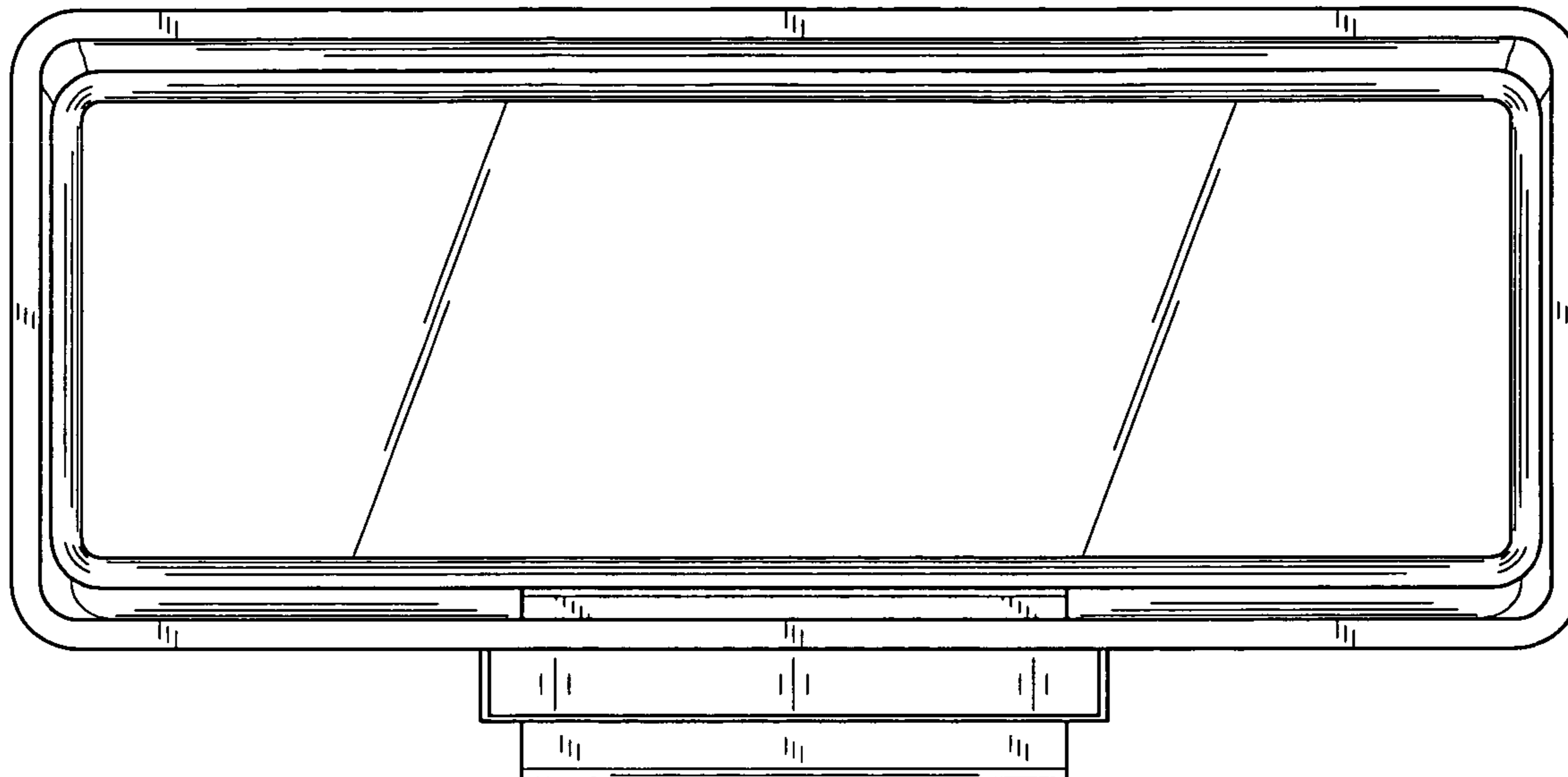
and the left elevational view being a mirror image thereof;

FIG. 6 is a top plan view according to the invention; and,

FIG. 7 is a bottom plan view according to the invention.

The broken line representation of a fastener head in FIG. 4 is for the purpose of illustration only, and forms no part of the claimed design.

1 Claim, 3 Drawing Sheets



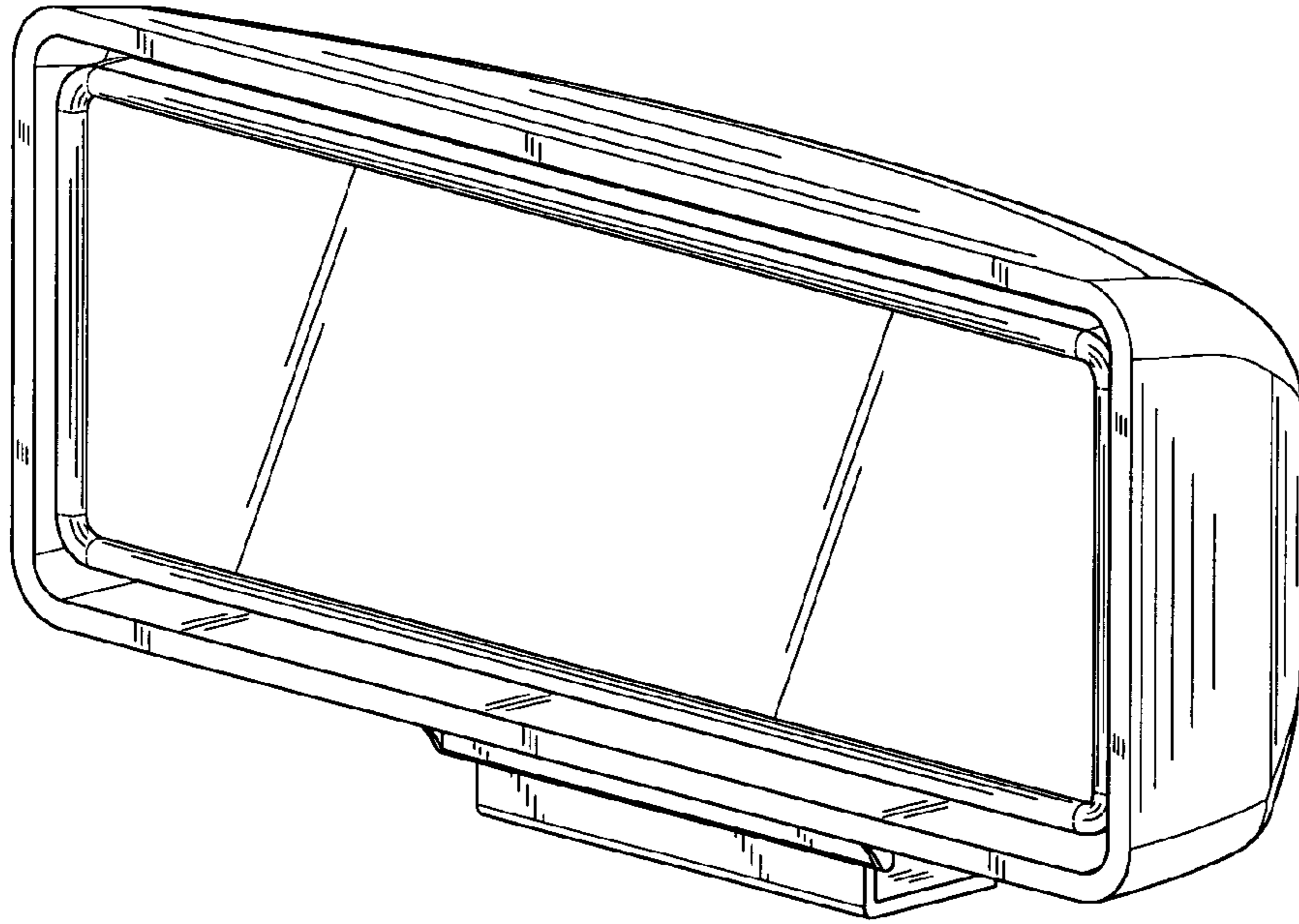


FIG. 1

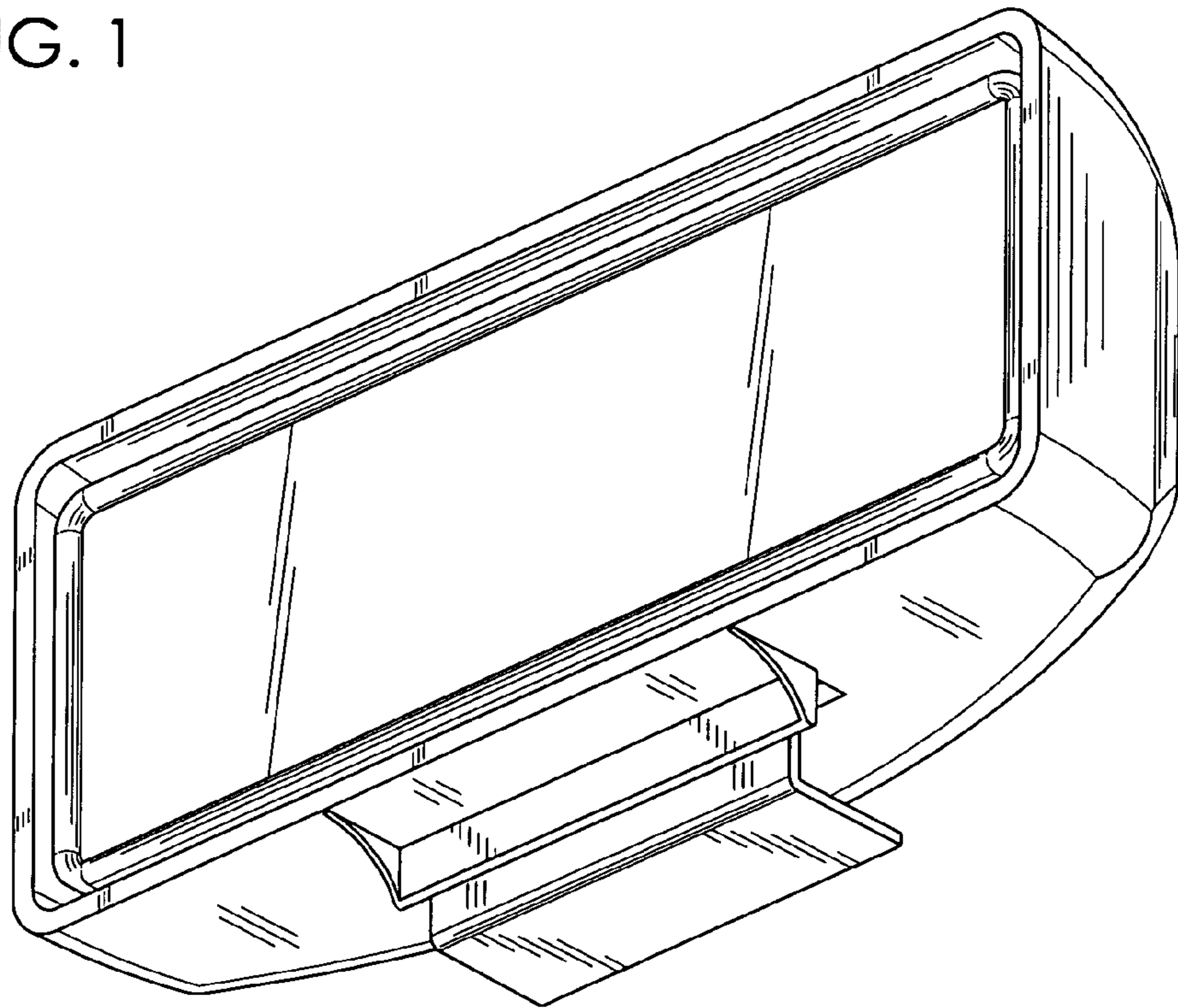


FIG. 2

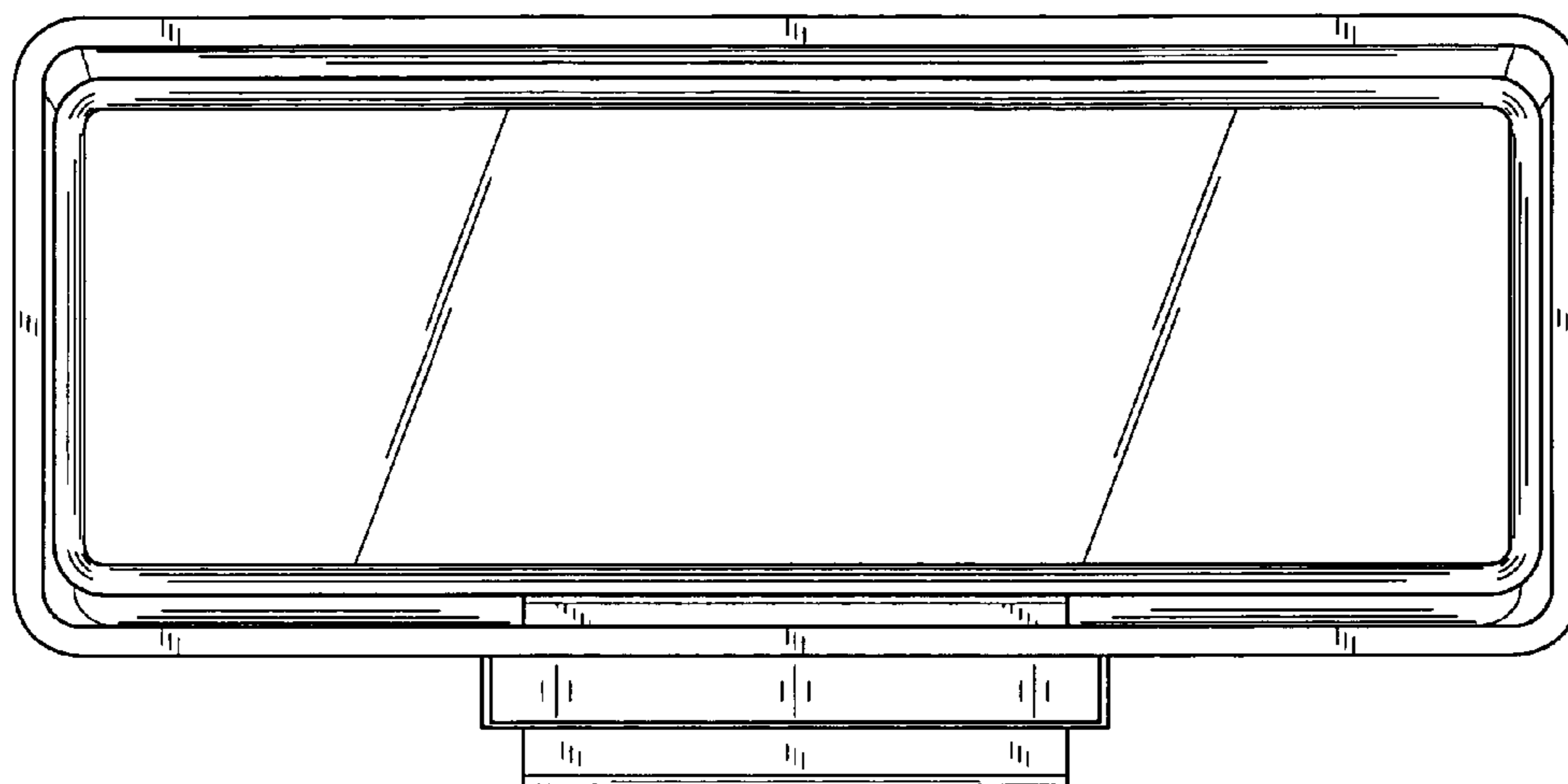


FIG. 3

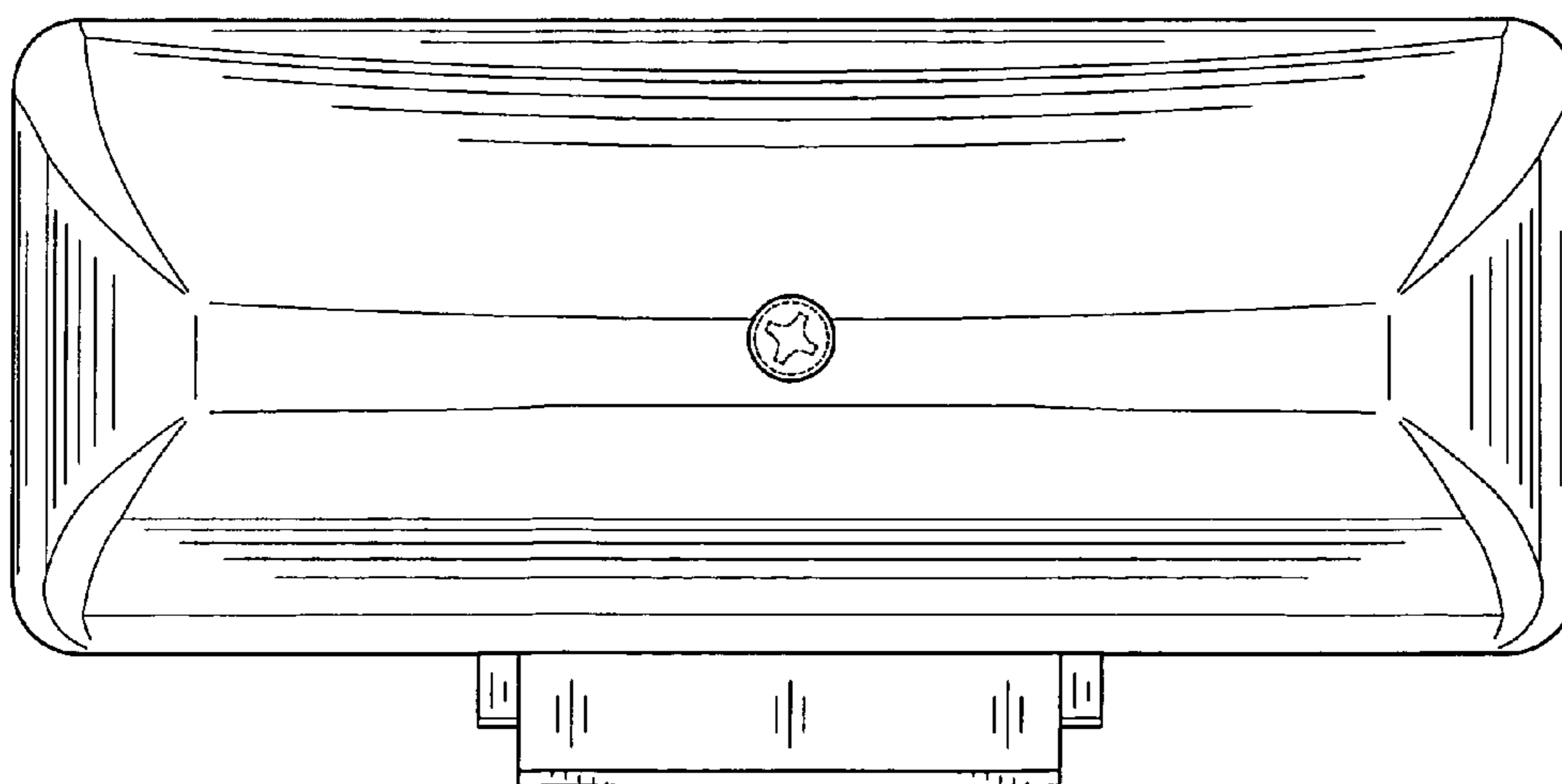


FIG. 4

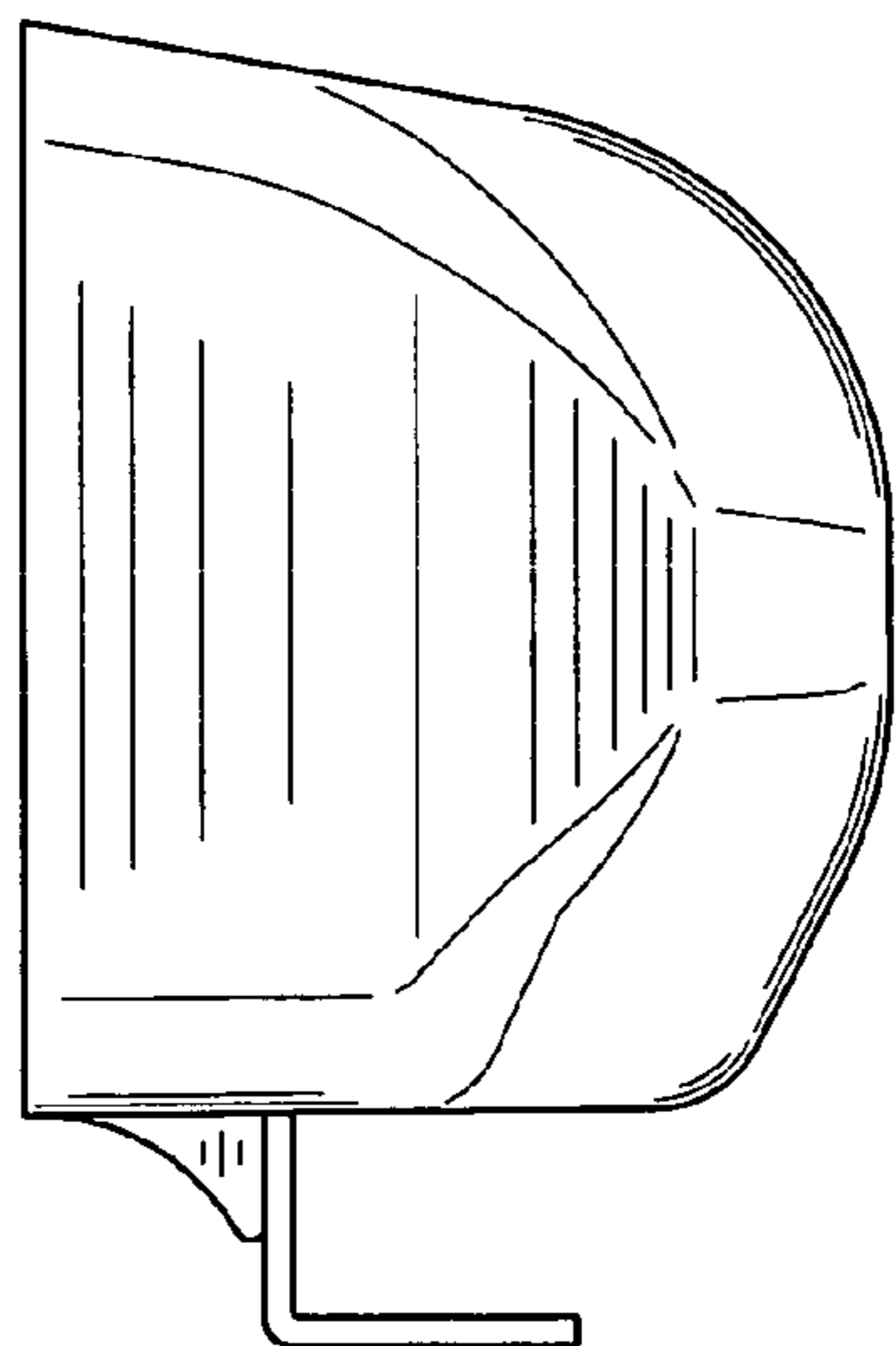


FIG. 5

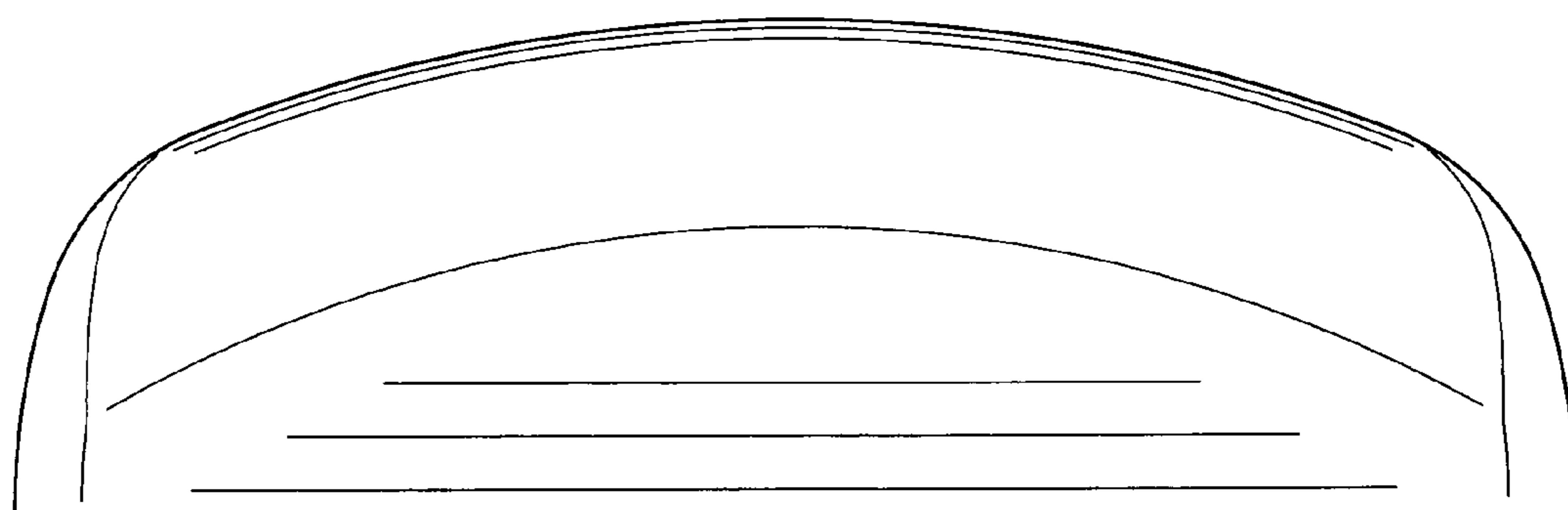


FIG. 6

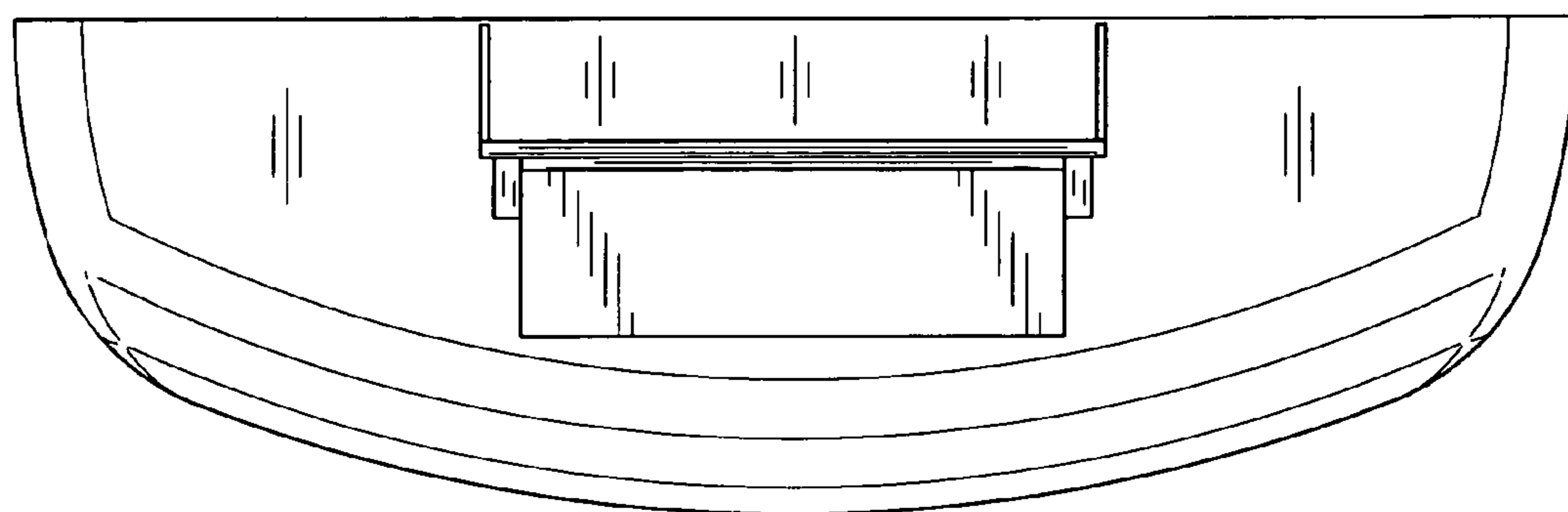


FIG. 7