



US00D659615S

(12) **United States Design Patent**
Varga

(10) **Patent No.:** **US D659,615 S**

(45) **Date of Patent:** **** May 15, 2012**

(54) **SPOILER FOR MOTOR VEHICLE**

(75) Inventor: **Peter Varga**, Pforzheim (DE)

(73) Assignee: **Dr. Ing. h.c. F. Porsche**
Aktiengesellschaft, Stuttgart (DE)

(**) Term: **14 Years**

(21) Appl. No.: **29/369,501**

(22) Filed: **Sep. 9, 2010**

(30) **Foreign Application Priority Data**

Mar. 12, 2010 (DE) 402010001634

(51) **LOC (9) Cl.** **12-16**

(52) **U.S. Cl.** **D12/181**

(58) **Field of Classification Search** D12/181,
D12/191, 196, 400, 190, 88; 280/727, 770,
280/848; 296/180.1-180.5, 91; 180/903
See application file for complete search history.

(56) **References Cited**

U.S. PATENT DOCUMENTS

D271,191 S * 11/1983 Amprim et al. D12/181
D424,999 S * 5/2000 Carlson et al. D12/181
D433,976 S * 11/2000 Hatter D12/181
D519,891 S * 5/2006 Lai D12/181

D526,256 S * 8/2006 Lai D12/181
D586,711 S * 2/2009 Sato D12/181
D603,315 S * 11/2009 Gamou D12/190
D606,918 S * 12/2009 Larson D12/181
D614,098 S * 4/2010 Larson D12/181
D620,854 S * 8/2010 Akasawa et al. D12/181
D638,337 S * 5/2011 Francisco D12/181

* cited by examiner

Primary Examiner — Caron D Veynar

Assistant Examiner — Katrina A Betton

(74) *Attorney, Agent, or Firm* — RatnerPrestia

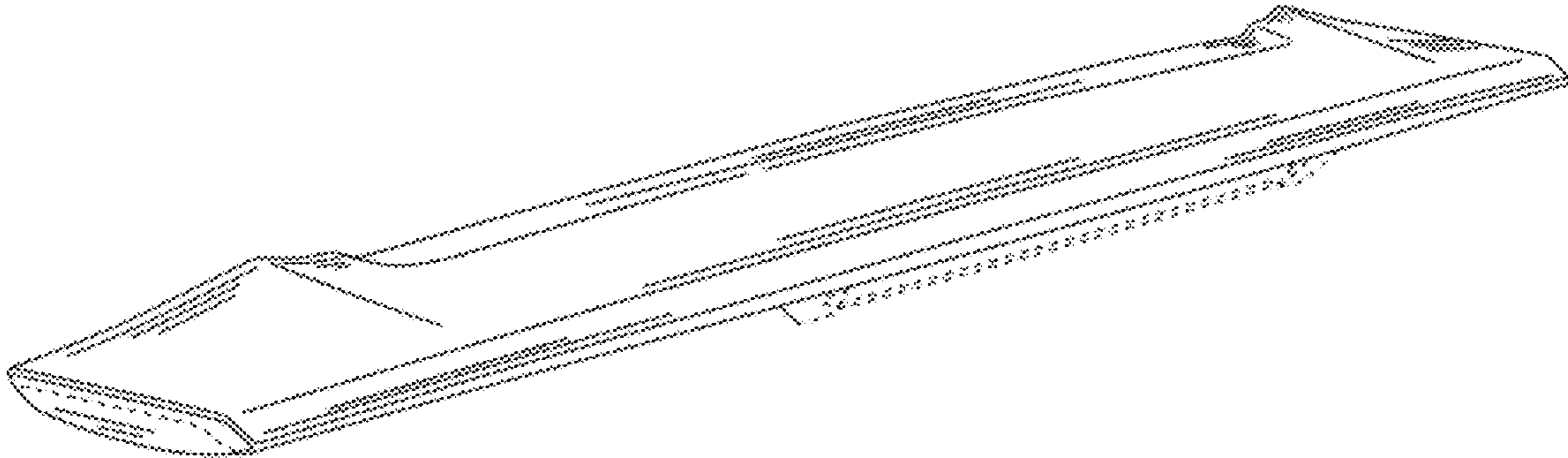
(57) **CLAIM**

The ornamental design for a spoiler for a motor vehicle, as shown and described.

DESCRIPTION

FIG. 1 is a perspective view of a spoiler for a motor vehicle; FIG. 2 is a front elevation view of the spoiler; FIG. 3 is a rear elevation view of the spoiler; FIG. 4 is a right side elevation view of the spoiler; FIG. 5 is a left side elevation view of the spoiler; FIG. 6 is a top plan view of the spoiler; and, FIG. 7 is a bottom plan view of the spoiler. The broken lines are for illustration only and form no part of the claimed design.

1 Claim, 5 Drawing Sheets



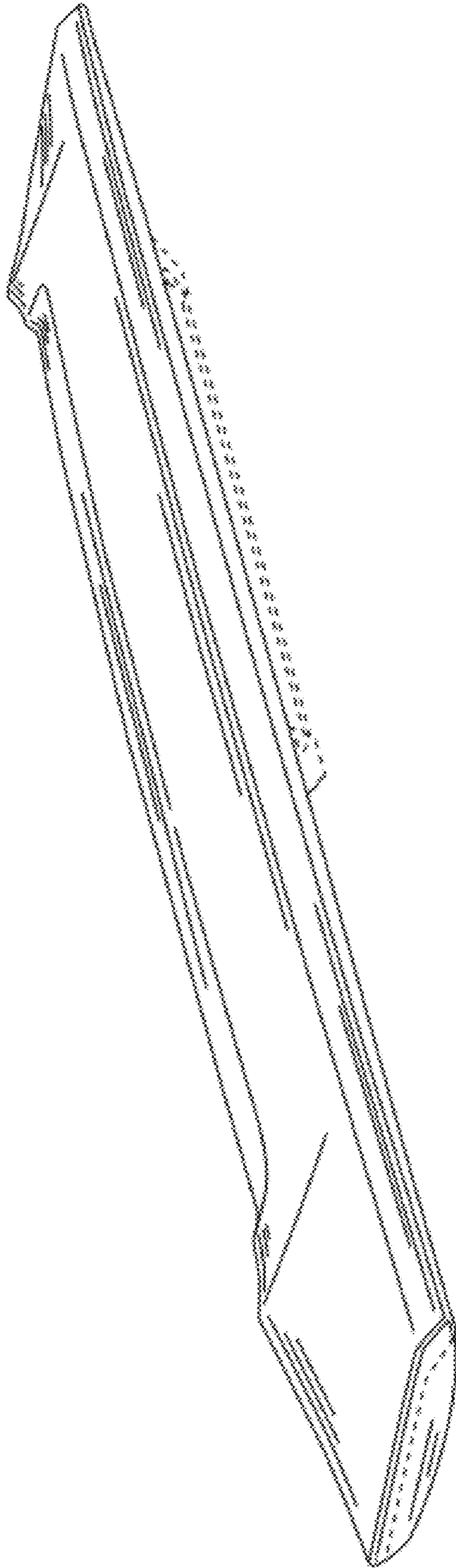


FIG. 1

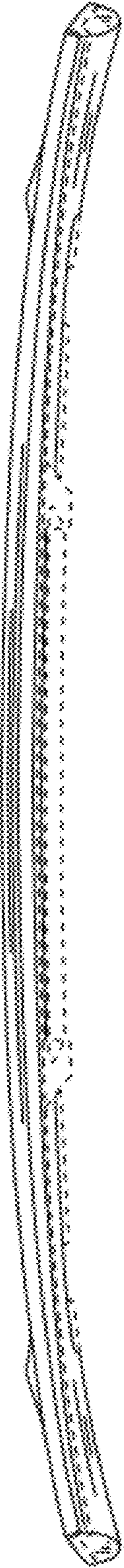


FIG. 2

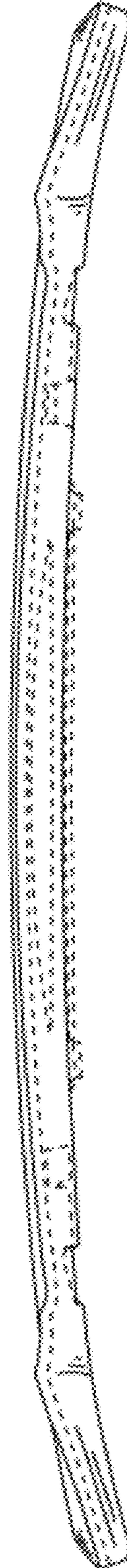


FIG. 3

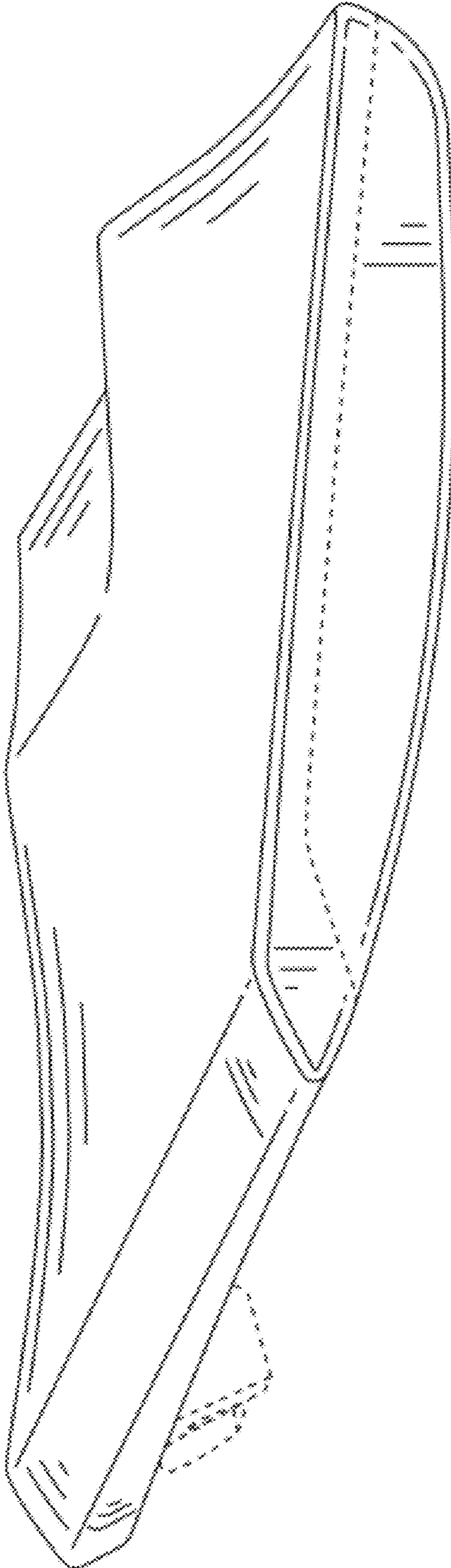


FIG. 4

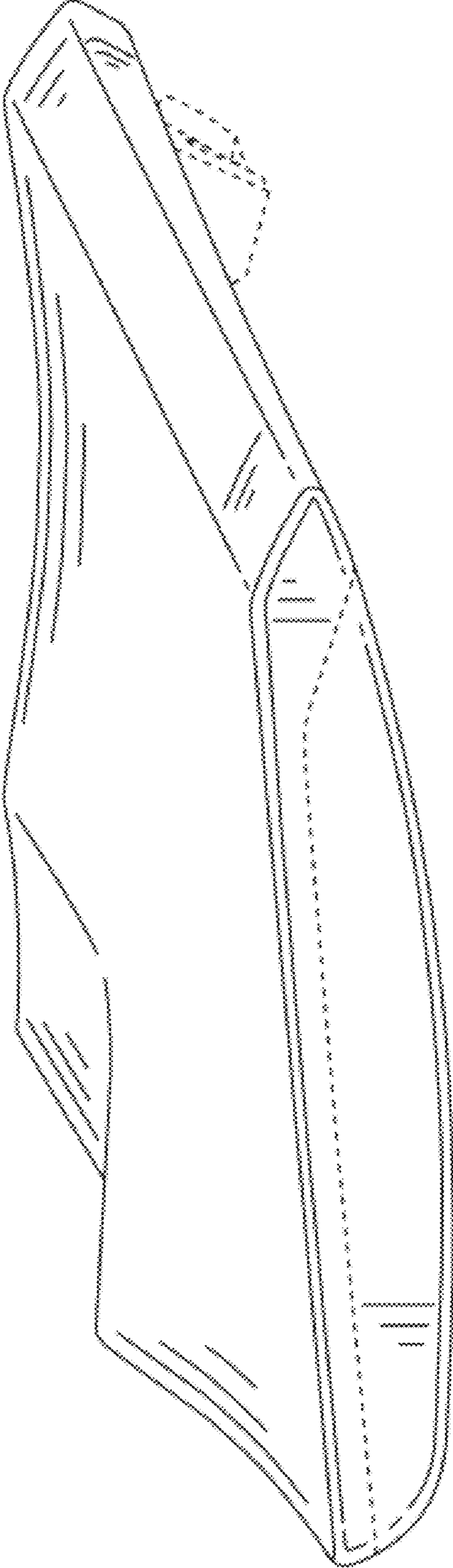


FIG. 5

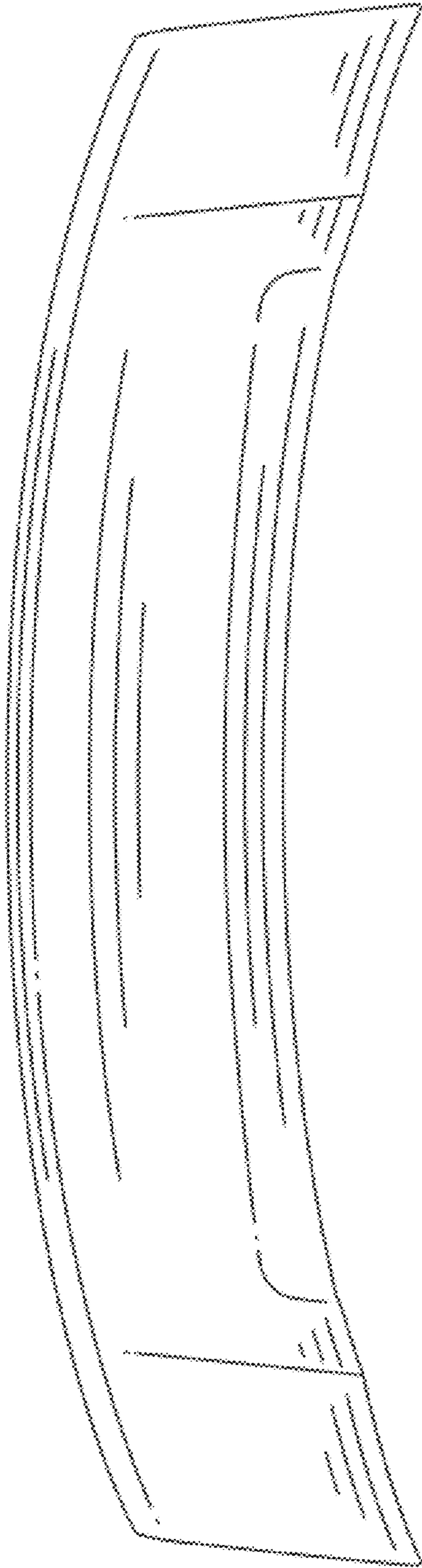


FIG. 6

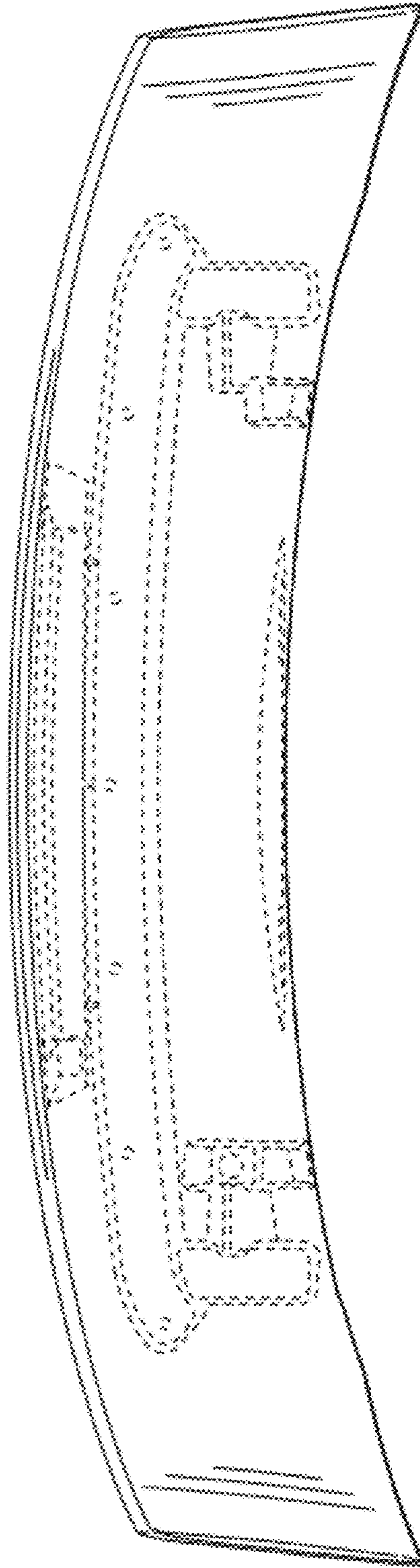


FIG. 7