

US00D659605S

(12) **United States Design Patent**
Varga

(10) **Patent No.:** **US D659,605 S**
(45) **Date of Patent:** **** May 15, 2012**

(54) **REAR BUMPER FOR A MOTOR VEHICLE**

(75) Inventor: **Peter Varga**, Pforzheim (DE)

(73) Assignee: **Dr. Ing. h.c. F. Porsche**
Aktiengesellschaft, Stuttgart (DE)

(**) Term: **14 Years**

(21) Appl. No.: **29/375,246**

(22) Filed: **Sep. 20, 2010**

(30) **Foreign Application Priority Data**

Mar. 24, 2010 (DE) 40 2010 001 841

(51) **LOC (9) Cl.** **12-16**

(52) **U.S. Cl.** **D12/169**

(58) **Field of Classification Search** D12/169,
D12/196, 171, 216, 163, 86, 90-92; 293/102,
293/113, 115, 117, 120; 296/180.1, 180.2
See application file for complete search history.

(56) **References Cited**

U.S. PATENT DOCUMENTS

D576,928 S *	9/2008	Miyazaki	D12/169
D578,447 S *	10/2008	Sawai	D12/169
D583,723 S *	12/2008	Murakami	D12/169
D583,730 S *	12/2008	Tonello	D12/169
D584,202 S *	1/2009	Sonoda et al.	D12/169
D585,797 S *	2/2009	Suzuki et al.	D12/169
D586,271 S *	2/2009	Futschik et al.	D12/169
D610,500 S *	2/2010	Kulla et al.	D12/169
D620,404 S *	7/2010	Ward	D12/169
D627,275 S *	11/2010	Sakae et al.	D12/169
D628,943 S *	12/2010	Lee	D12/169
D640,616 S *	6/2011	Schell et al.	D12/169
D641,665 S *	7/2011	Larson et al.	D12/169
D647,437 S *	10/2011	Varga	D12/169

FOREIGN PATENT DOCUMENTS

DE	402010001643.2	5/2010
DE	402010004058.9	9/2010

OTHER PUBLICATIONS

U.S. Appl. No. 29/369,500, filed Sep. 9, 2010, Peter Varga—Unpublished.
U.S. Appl. No. 29/383,969, filed Jan. 25, 2011, Hugh Robinson—Unpublished.
U.S. Appl. No. 29/399,958, filed Aug. 22, 2011, Peter Varga—Unpublished.
German Patent Application No. DE402011002503.5, filed Feb. 24, 2011, Peter Varga—Unpublished.

* cited by examiner

Primary Examiner — Melody N Brown

(74) *Attorney, Agent, or Firm* — RatnerPrestia

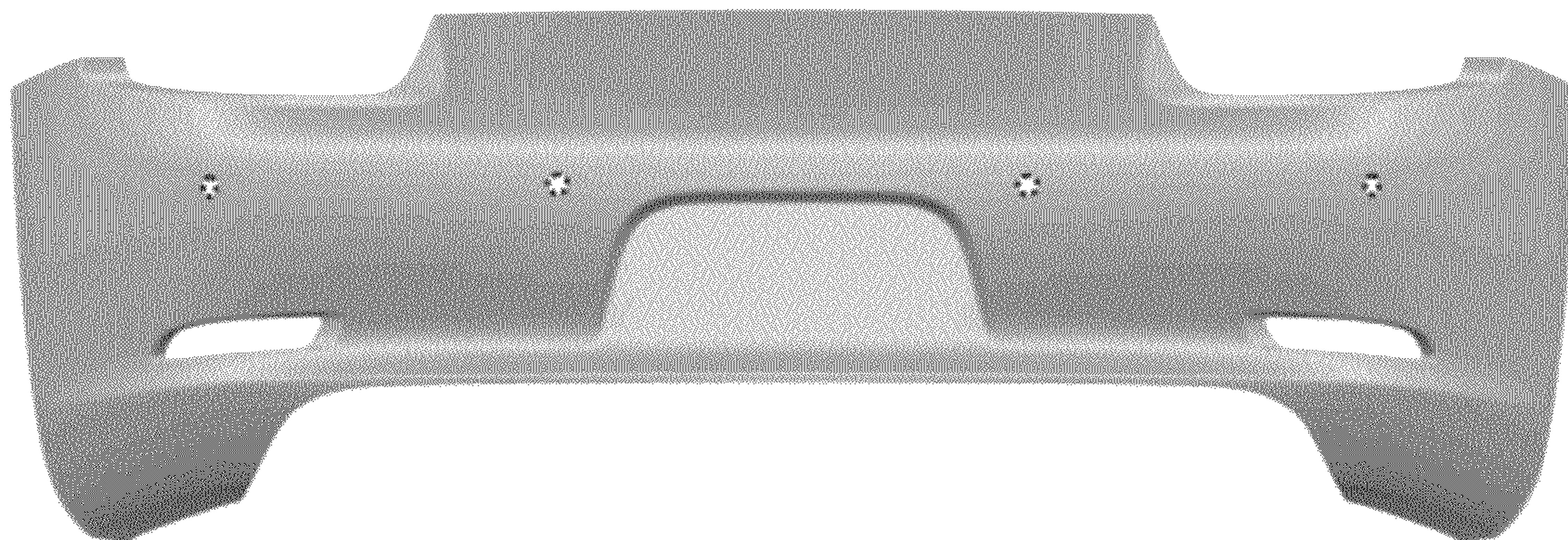
(57) **CLAIM**

The ornamental design for a rear bumper for a motor vehicle, as shown and described.

DESCRIPTION

FIG. 1 is a perspective view of a rear bumper for a motor vehicle;
FIG. 2 is a front elevation view thereof;
FIG. 3 is a rear elevation view thereof;
FIG. 4 is a left side elevation view thereof;
FIG. 5 is a right side elevation view thereof;
FIG. 6 is a top plan view thereof; and,
FIG. 7 is a bottom plan view thereof.
The broken lines are for illustration only and form no part of the claimed design.

1 Claim, 4 Drawing Sheets



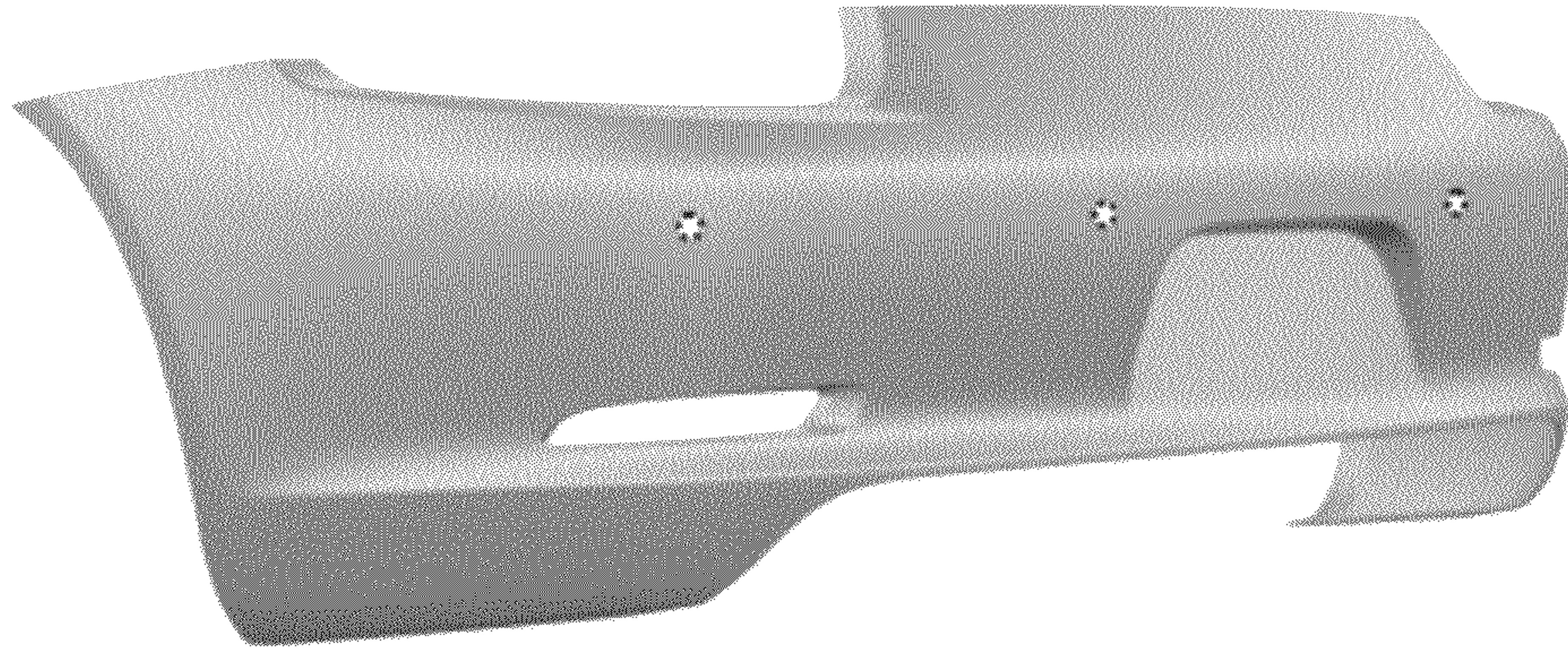


FIG. 1

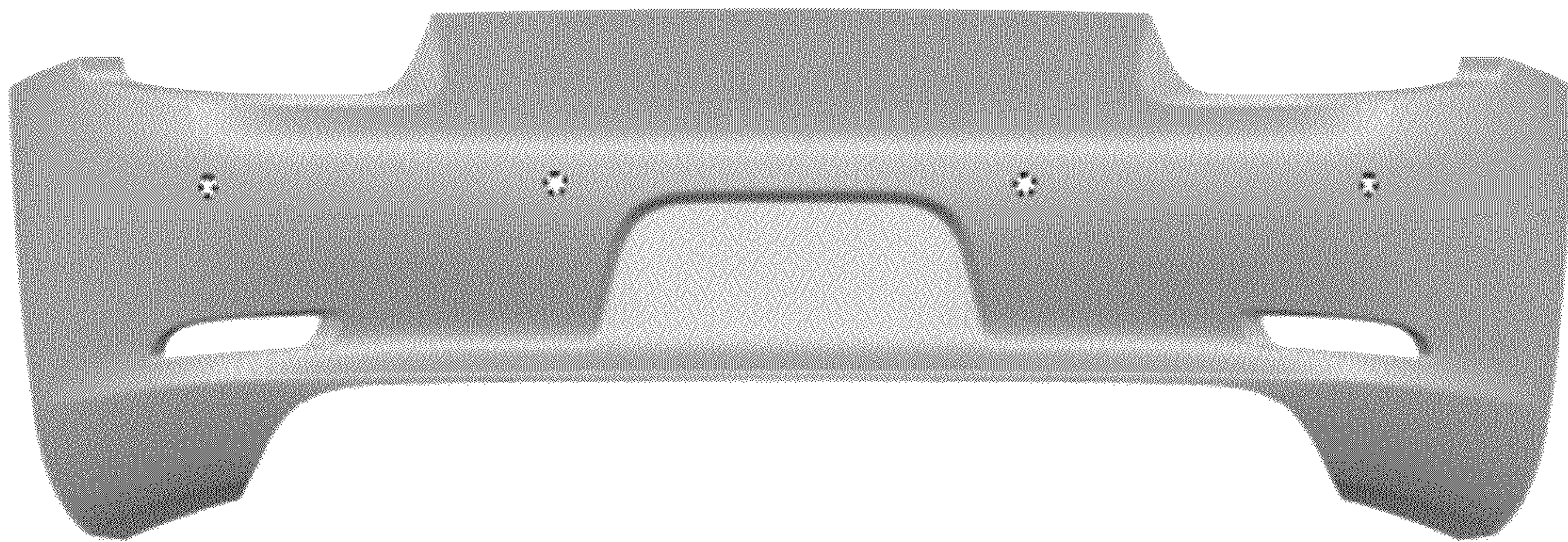


FIG. 2

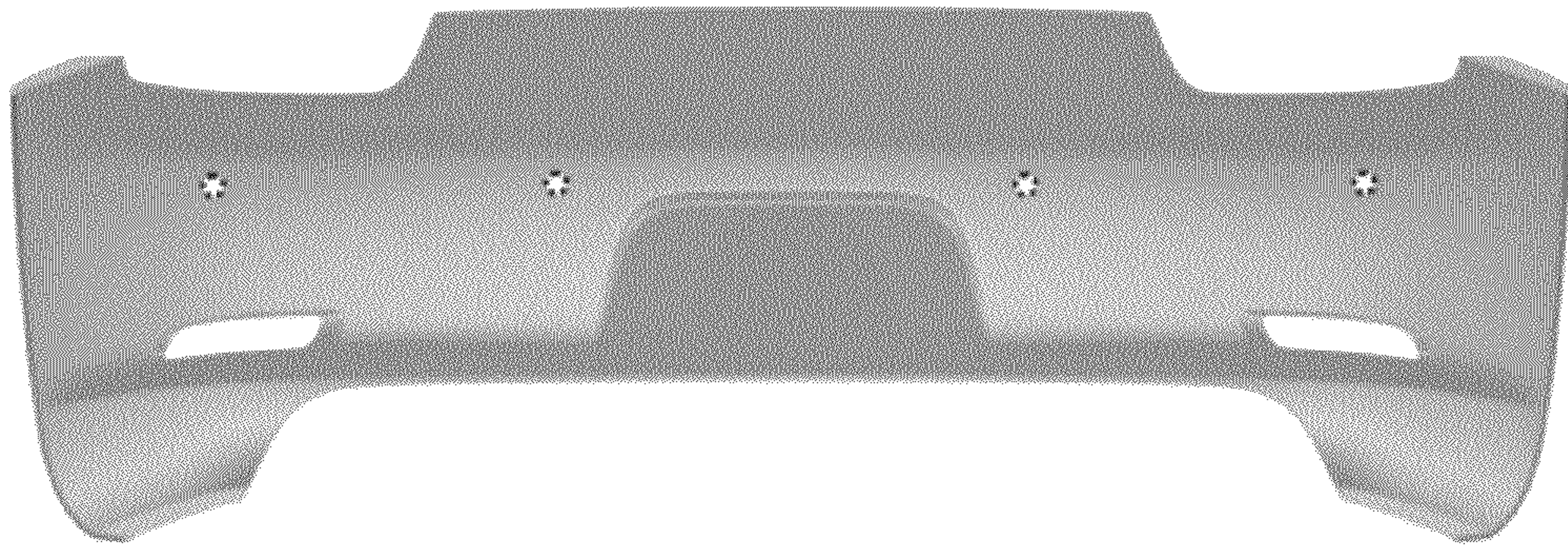


FIG. 3

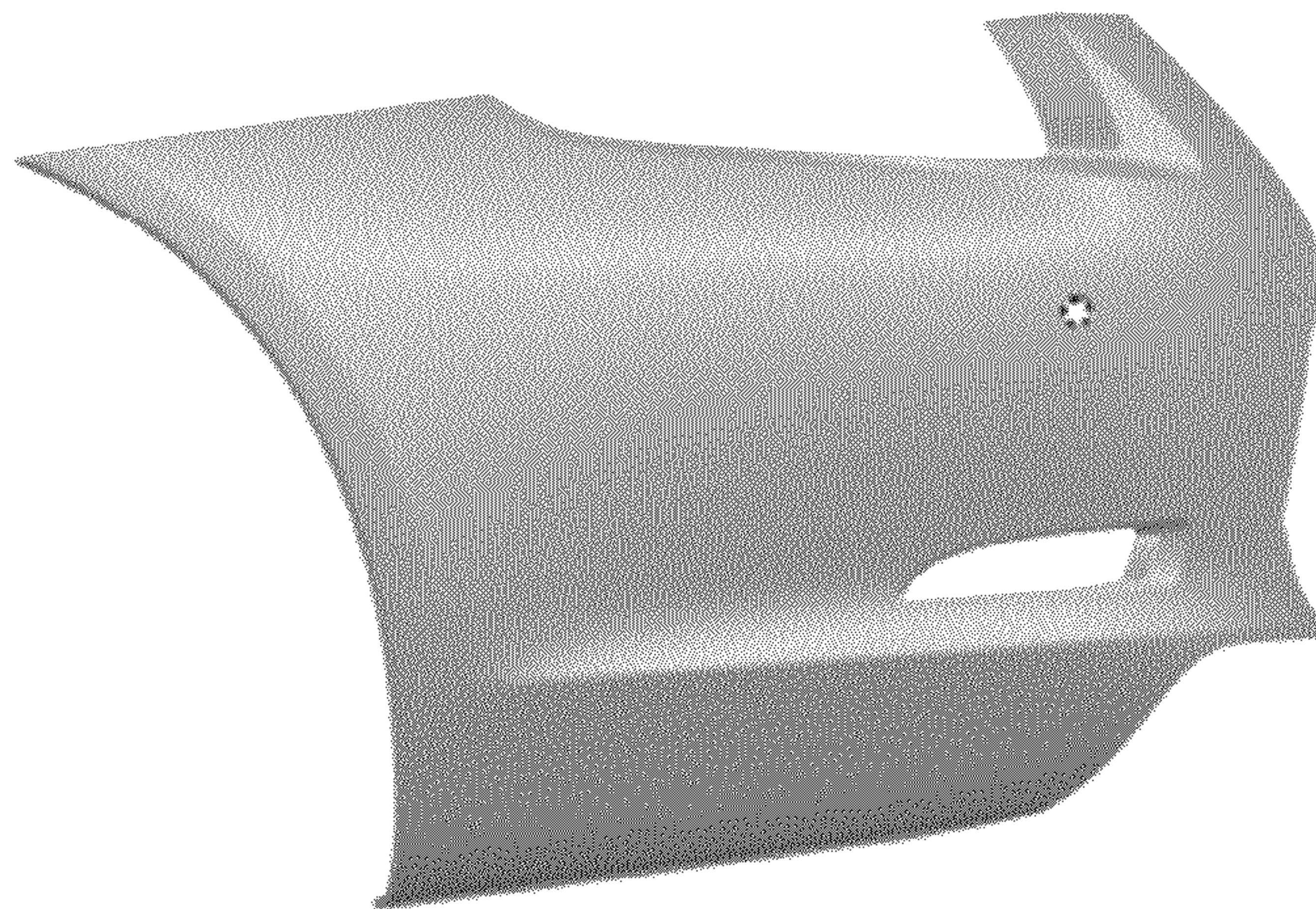


FIG. 4

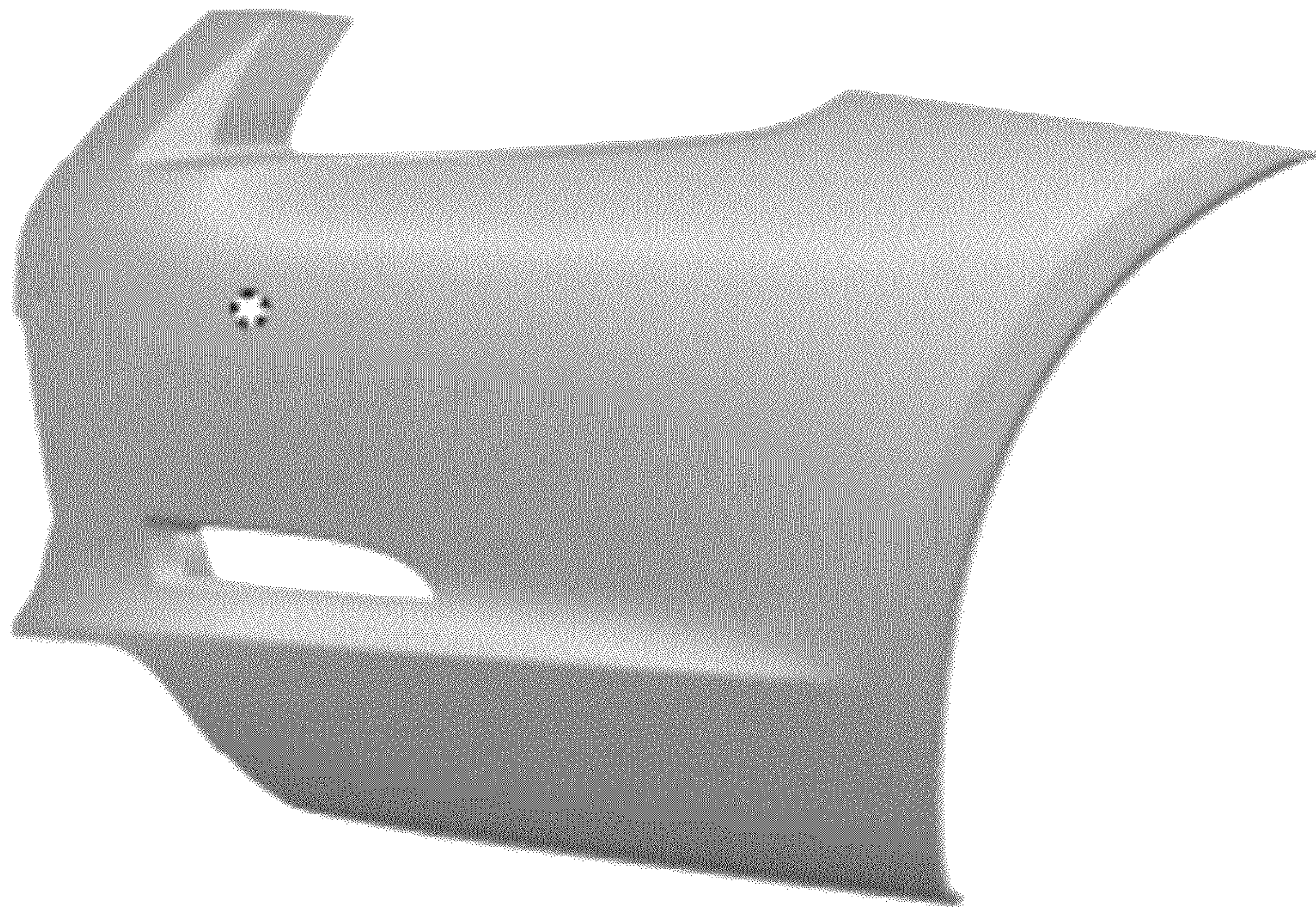


FIG. 5



FIG. 6

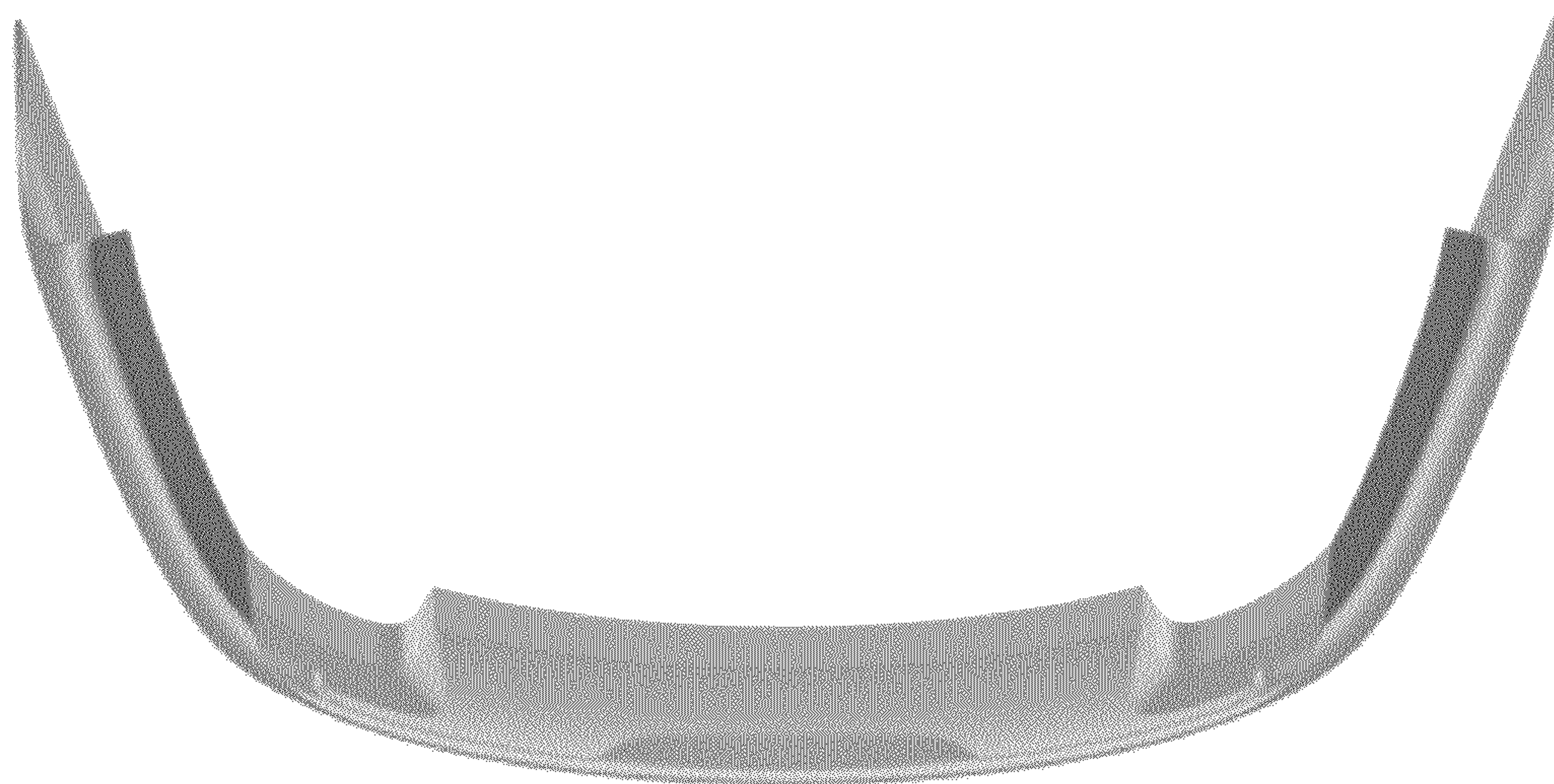


FIG. 7