



US00D659604S

(12) **United States Design Patent**
Varga

(10) **Patent No.:** **US D659,604 S**

(45) **Date of Patent:** **** May 15, 2012**

(54) **FRONT BUMPER FOR A MOTOR VEHICLE**

(75) Inventor: **Peter Varga**, Pforzheim (DE)

(73) Assignee: **Dr. Ing. h.c. F. Porsche**
Aktiengesellschaft, Stuttgart (DE)

(**) Term: **14 Years**

(21) Appl. No.: **29/369,503**

(22) Filed: **Sep. 9, 2010**

(30) **Foreign Application Priority Data**

Mar. 12, 2010 (DE) 402010001631

(51) **LOC (9) Cl.** **12-16**

(52) **U.S. Cl.** **D12/169**

(58) **Field of Classification Search** D12/169,
D12/196, 171, 216, 163, 86, 90-92; 293/102,
293/113, 115, 117, 120; 296/180.1, 180.2
See application file for complete search history.

(56) **References Cited**

U.S. PATENT DOCUMENTS

D520,417 S * 5/2006 Yagi et al. D12/169
D584,200 S * 1/2009 Leclercq D12/169
D588,053 S * 3/2009 Woolley et al. D12/169
D596,999 S * 7/2009 Nakamuta et al. D12/169

D598,339 S * 8/2009 George et al. D12/169
D598,828 S * 8/2009 Lee D12/169
D604,678 S * 11/2009 Walter et al. D12/169
D610,955 S * 3/2010 Kulla D12/169
D615,910 S * 5/2010 Borkert D12/169
D616,794 S * 6/2010 Borkert D12/169
D649,919 S * 12/2011 Varga D12/169

* cited by examiner

Primary Examiner — Melody N Brown

(74) *Attorney, Agent, or Firm* — RatnerPrestia

(57) **CLAIM**

The ornamental design for a front bumper for a motor vehicle, as shown and described.

DESCRIPTION

FIG. 1 is a perspective view of a front bumper for a motor vehicle;

FIG. 2 is a front elevation view thereof;

FIG. 3 is a rear elevation view thereof;

FIG. 4 is a left side elevation view thereof;

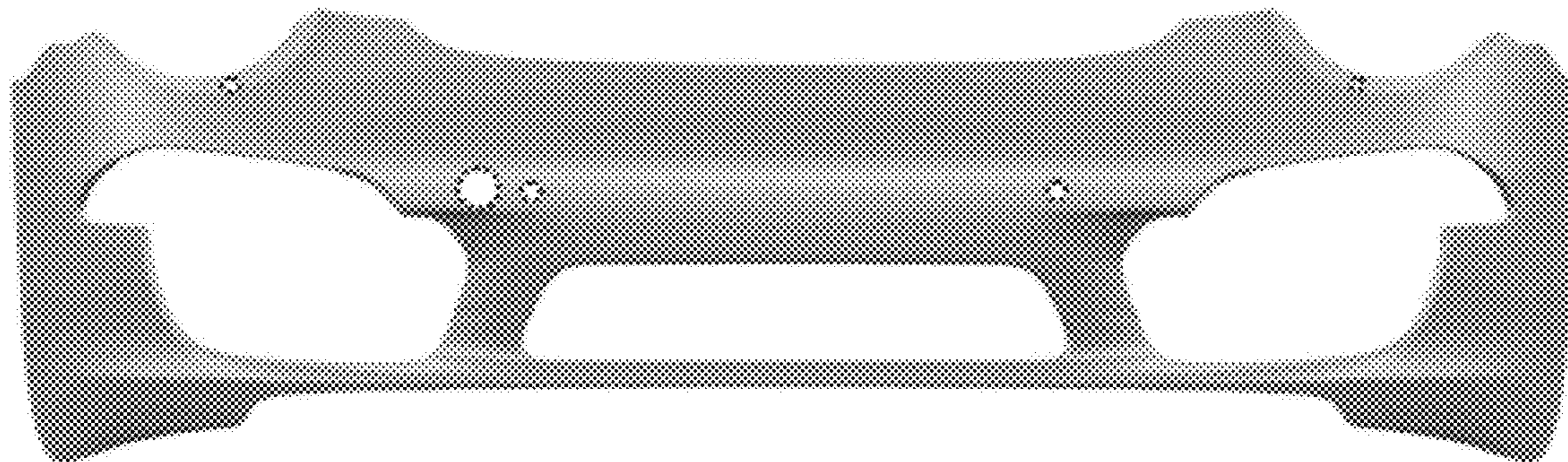
FIG. 5 is a right side elevation view thereof;

FIG. 6 is a top plan view thereof; and,

FIG. 7 is a bottom plan view thereof.

The broken lines are for illustration only and form no part of the claimed design.

1 Claim, 3 Drawing Sheets



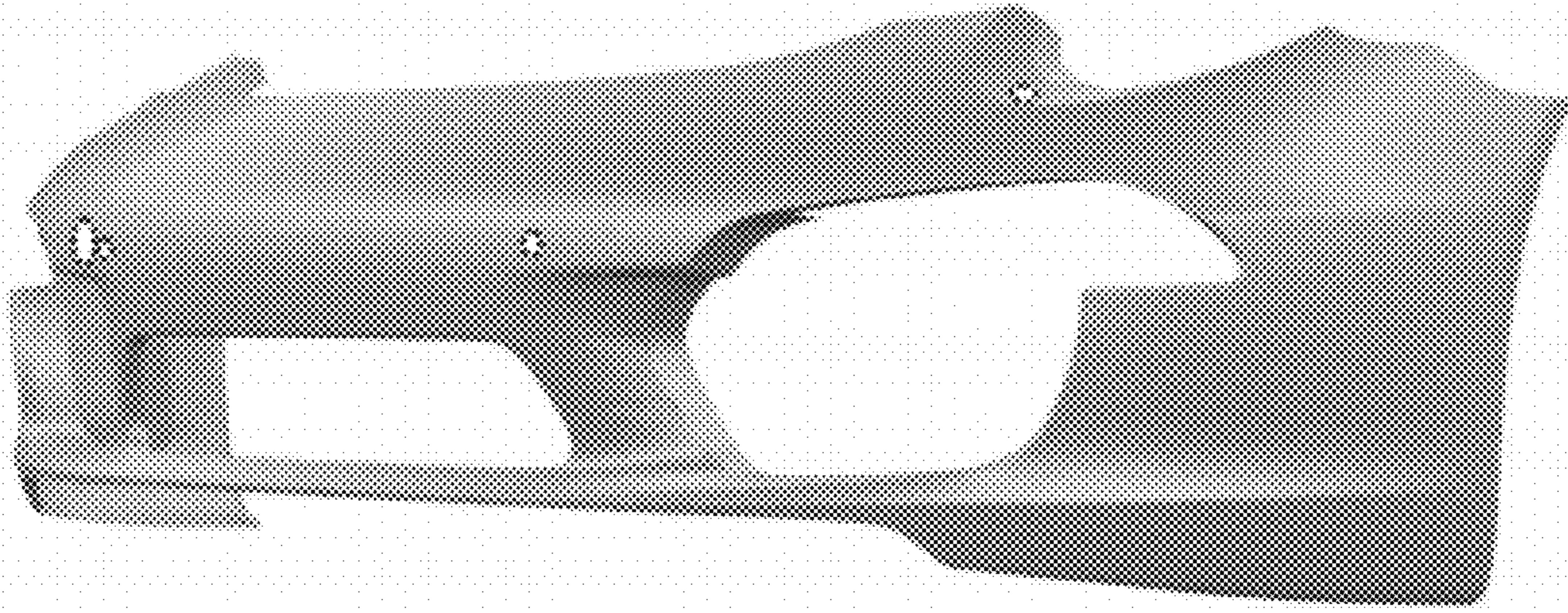


FIG. 1

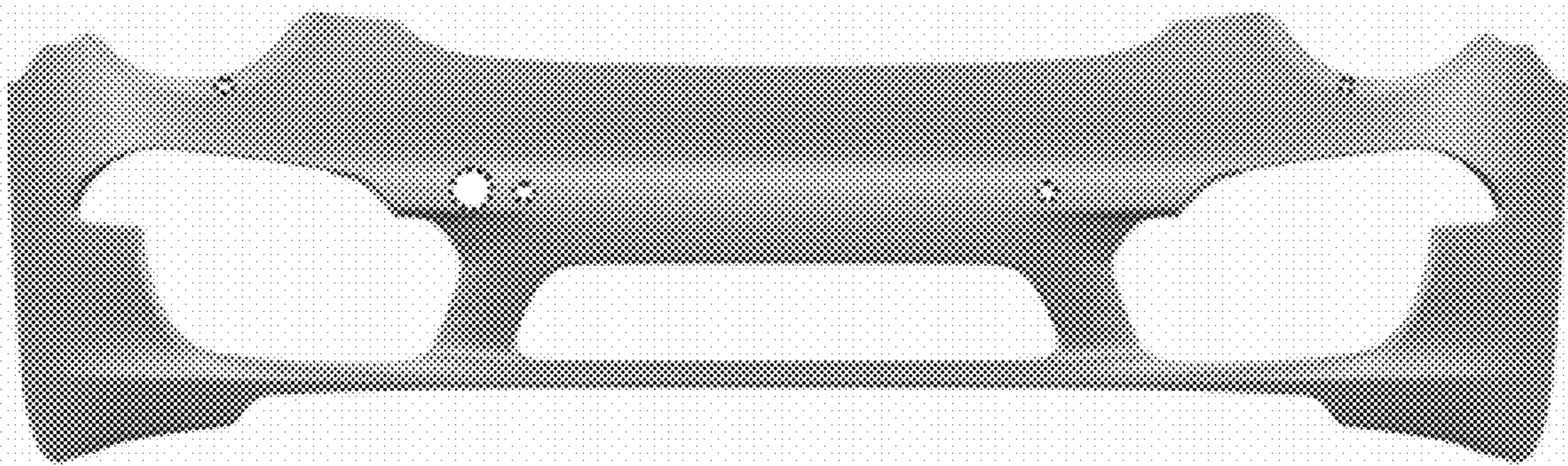


FIG. 2

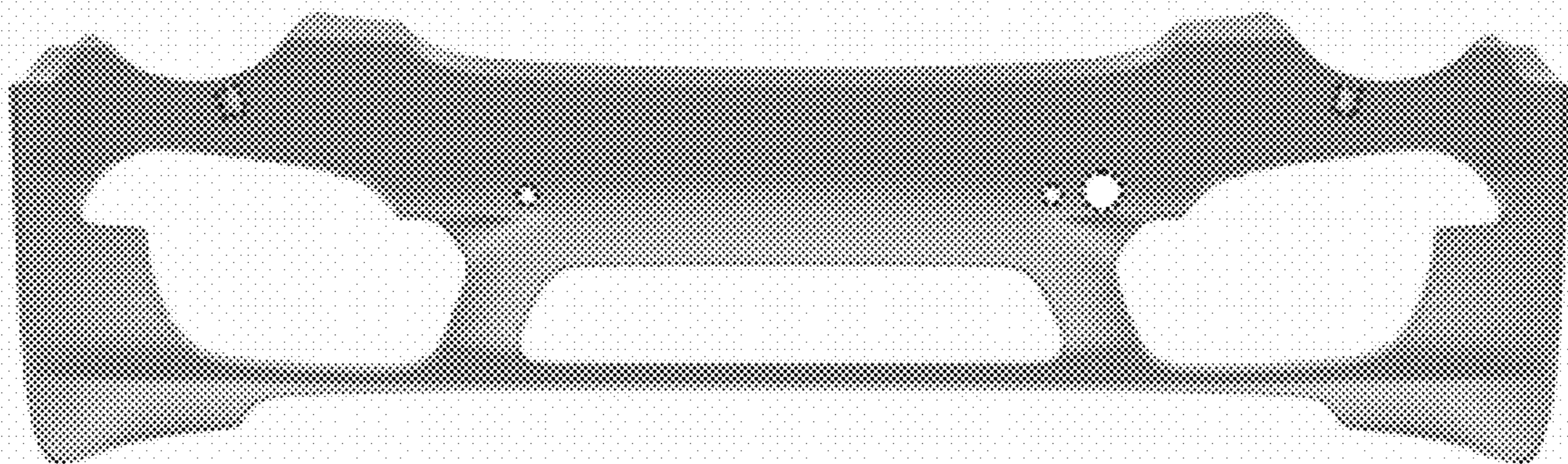


FIG. 3

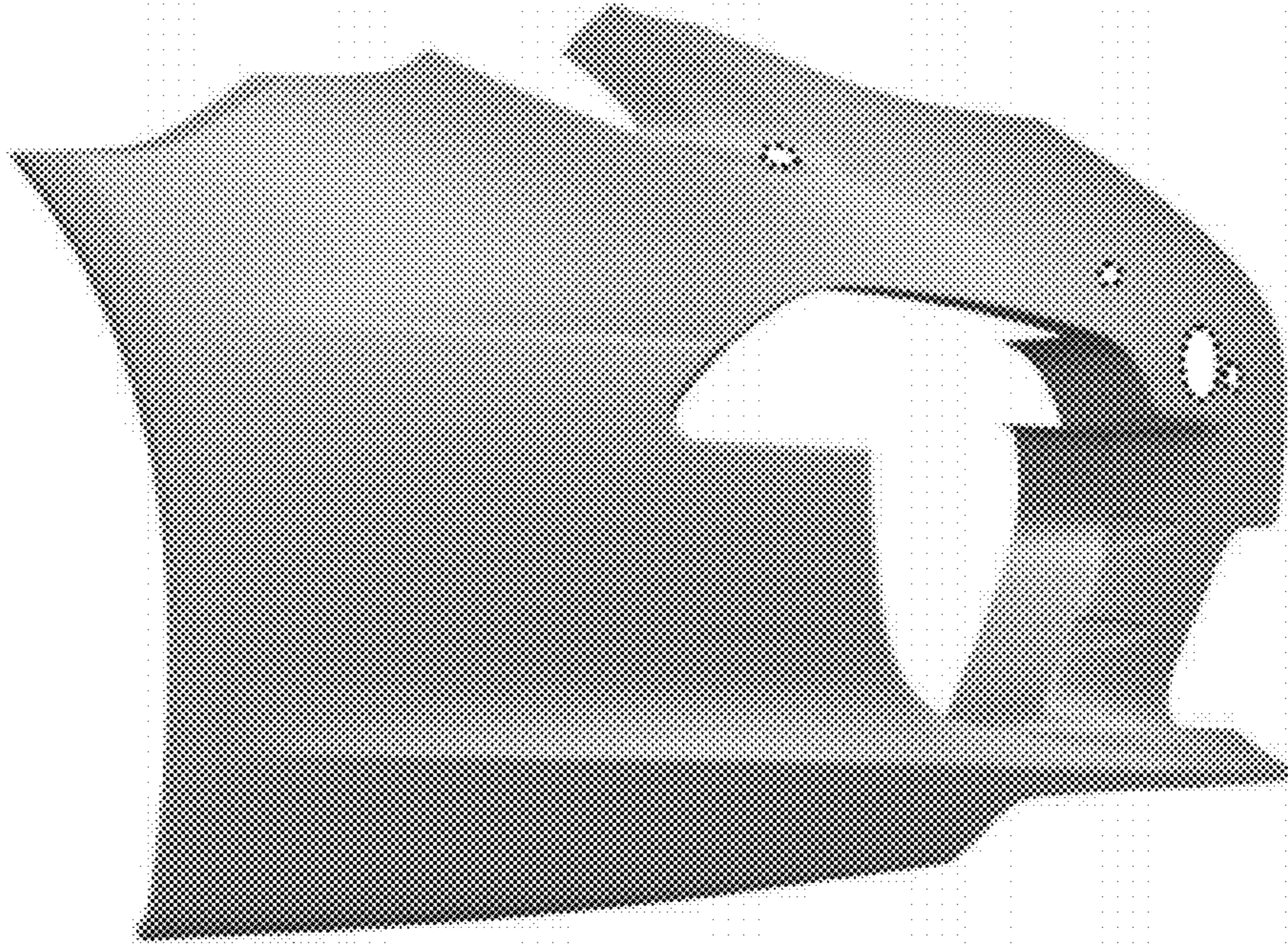


FIG. 4

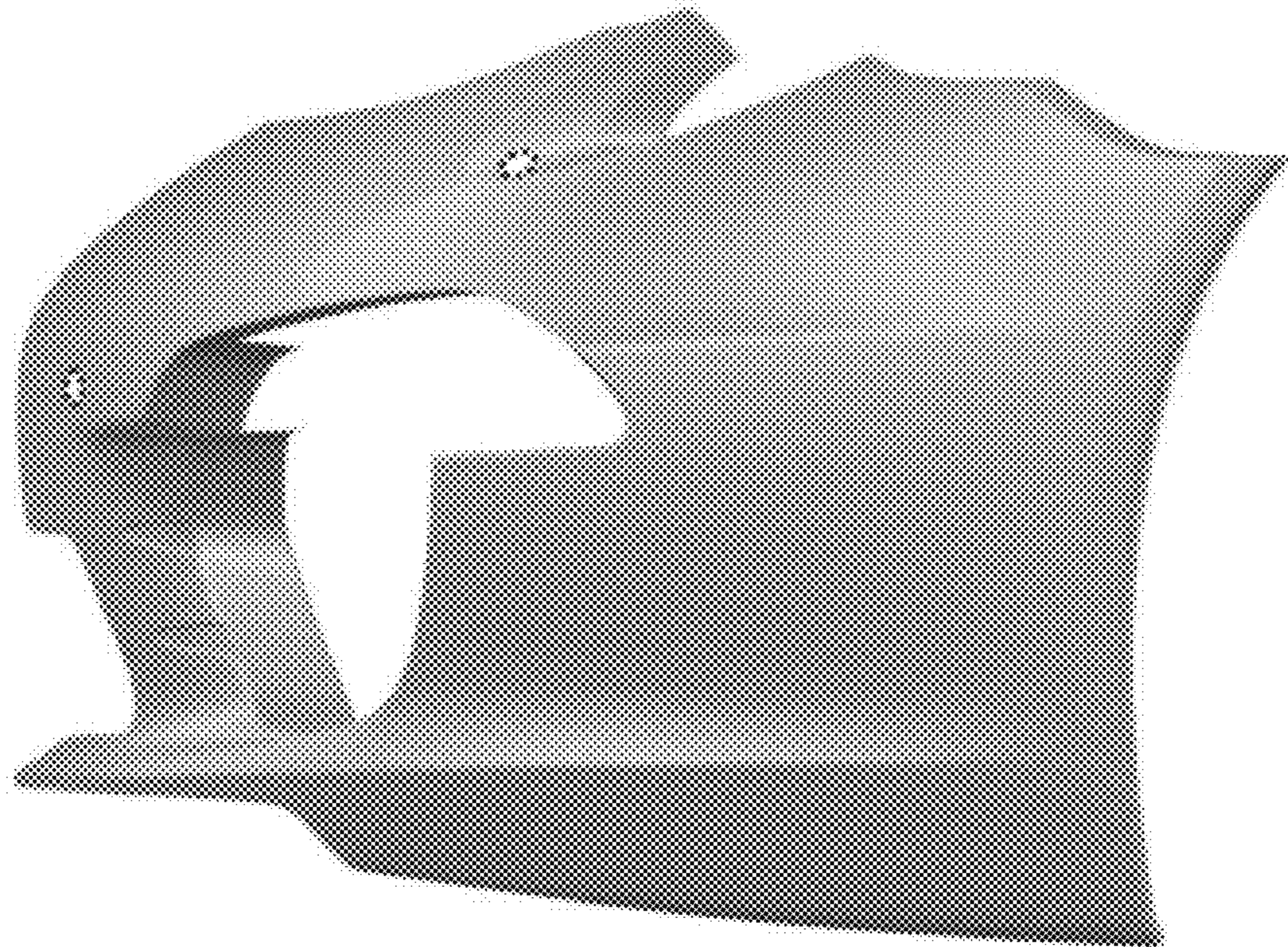


FIG. 5

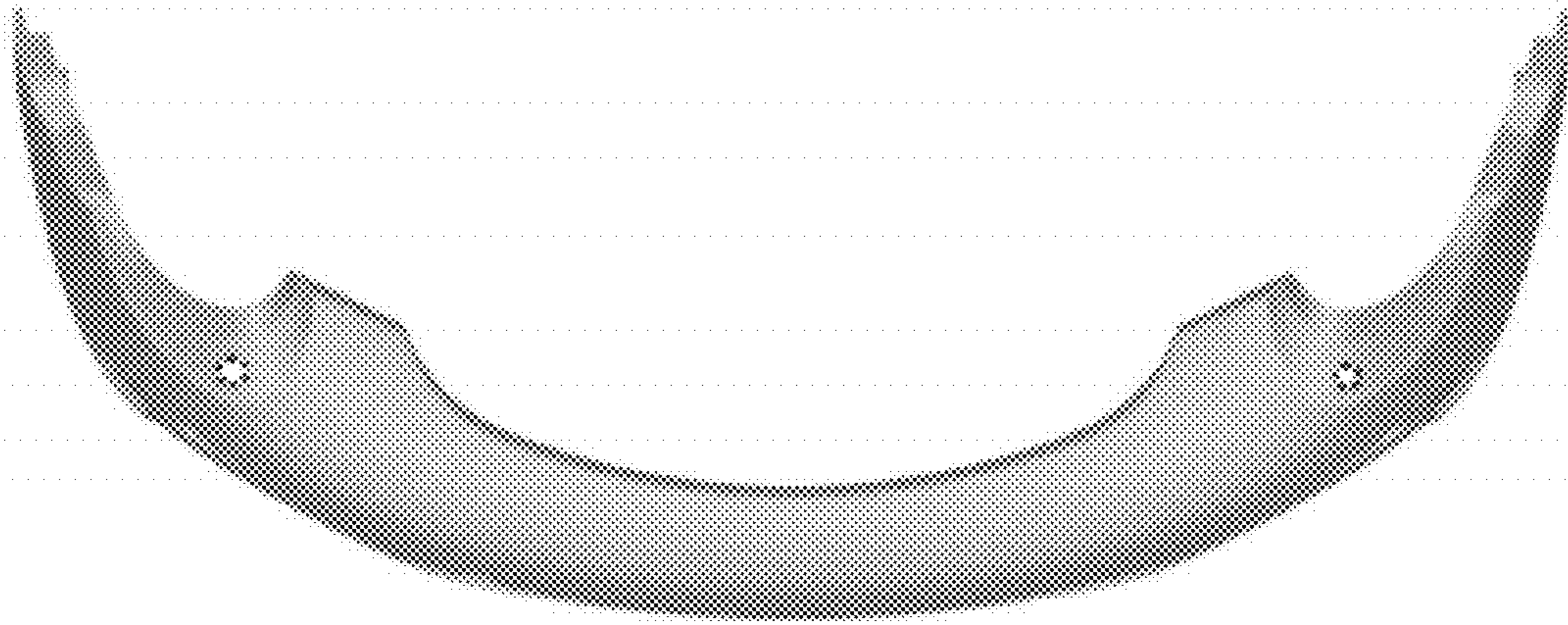


FIG. 6

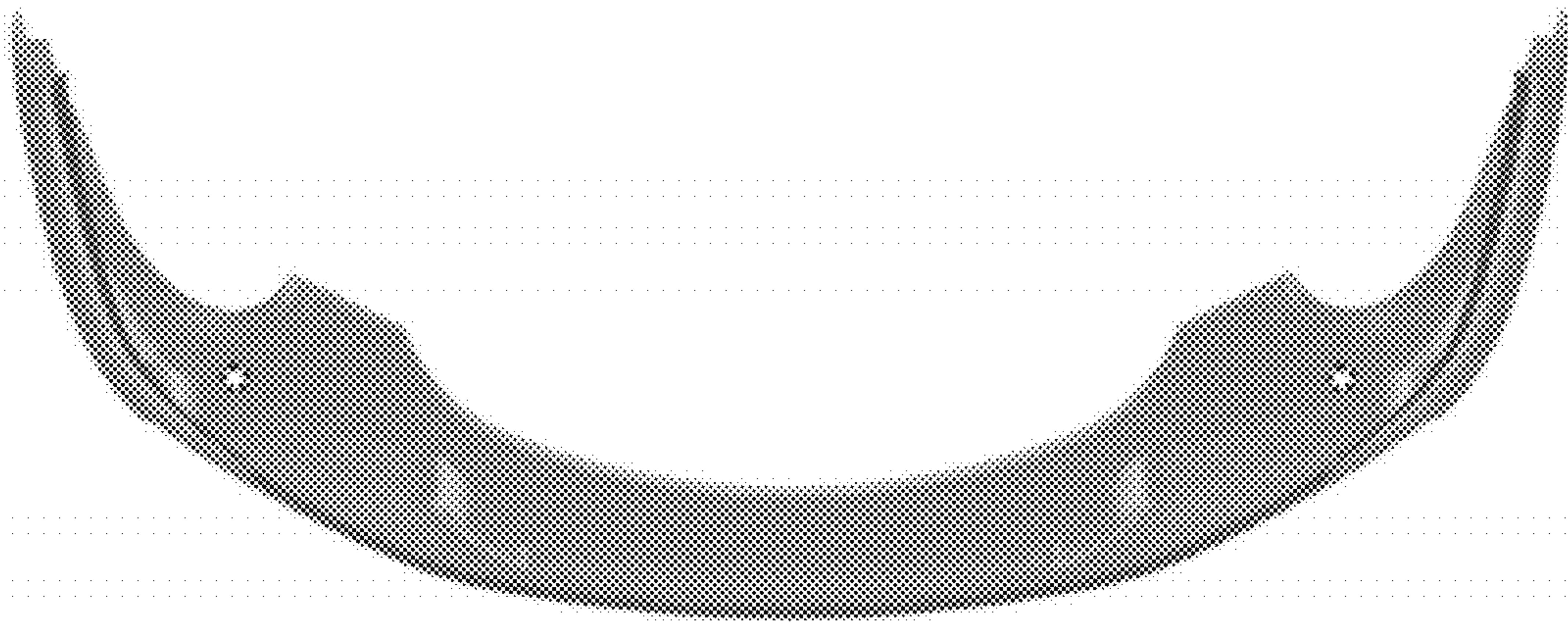


FIG. 7