



US00D659603S

(12) **United States Design Patent**
Varga

(10) **Patent No.:** **US D659,603 S**

(45) **Date of Patent:** **** May 15, 2012**

(54) **REAR BUMPER FOR A MOTOR VEHICLE**

(75) Inventor: **Peter Varga**, Pforzheim (DE)

(73) Assignee: **Dr. Ing. h.c. F. Porsche**
Aktiengesellschaft, Stuttgart (DE)

(**) Term: **14 Years**

(21) Appl. No.: **29/369,500**

(22) Filed: **Sep. 9, 2010**

(30) **Foreign Application Priority Data**

Mar. 12, 2010 (DE) 402010001643

(51) **LOC (9) Cl.** **12-16**

(52) **U.S. Cl.** **D12/169**

(58) **Field of Classification Search** D12/169,
D12/196, 171, 216, 163, 86, 90-92; 293/102,
293/113, 115, 117, 120; 296/180.1, 180.2
See application file for complete search history.

(56) **References Cited**

U.S. PATENT DOCUMENTS

D522,937 S * 6/2006 Tada D12/169
D576,928 S * 9/2008 Miyazaki D12/169
D578,447 S * 10/2008 Sawai D12/169

D583,723 S * 12/2008 Murakami D12/169
D583,730 S * 12/2008 Tonello D12/169
D584,202 S * 1/2009 Sonoda et al. D12/169
D585,797 S * 2/2009 Suzuki et al. D12/169
D586,271 S * 2/2009 Futschik et al. D12/169
D610,500 S * 2/2010 Kulla et al. D12/169
D620,404 S * 7/2010 Ward D12/169
D627,275 S * 11/2010 Sakae et al. D12/169
D647,437 S * 10/2011 Varga D12/169

* cited by examiner

Primary Examiner — Melody N Brown

(74) *Attorney, Agent, or Firm* — RatnerPrestia

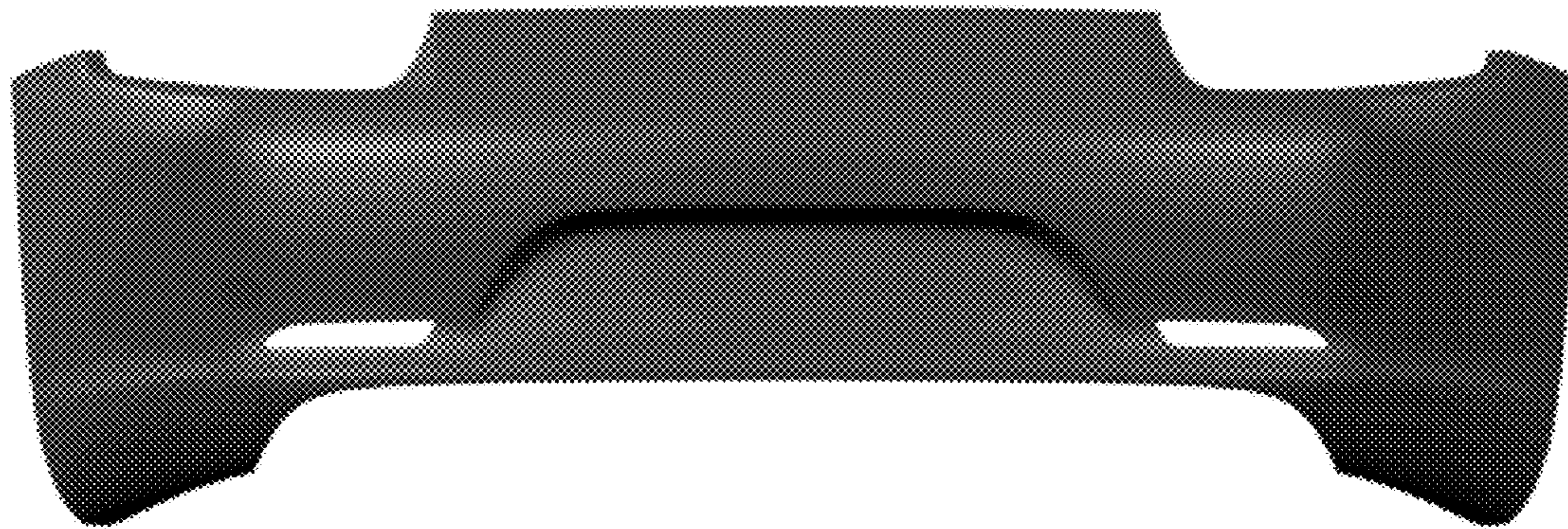
(57) **CLAIM**

The ornamental design for a rear bumper for a motor vehicle, as shown and described.

DESCRIPTION

FIG. 1 is a perspective view of a rear bumper for a motor vehicle;
FIG. 2 is a front elevation view thereof;
FIG. 3 is a rear elevation view thereof;
FIG. 4 is a left side elevation view thereof;
FIG. 5 is a right side elevation view thereof;
FIG. 6 is a top plan view thereof; and,
FIG. 7 is a bottom plan view thereof.

1 Claim, 4 Drawing Sheets



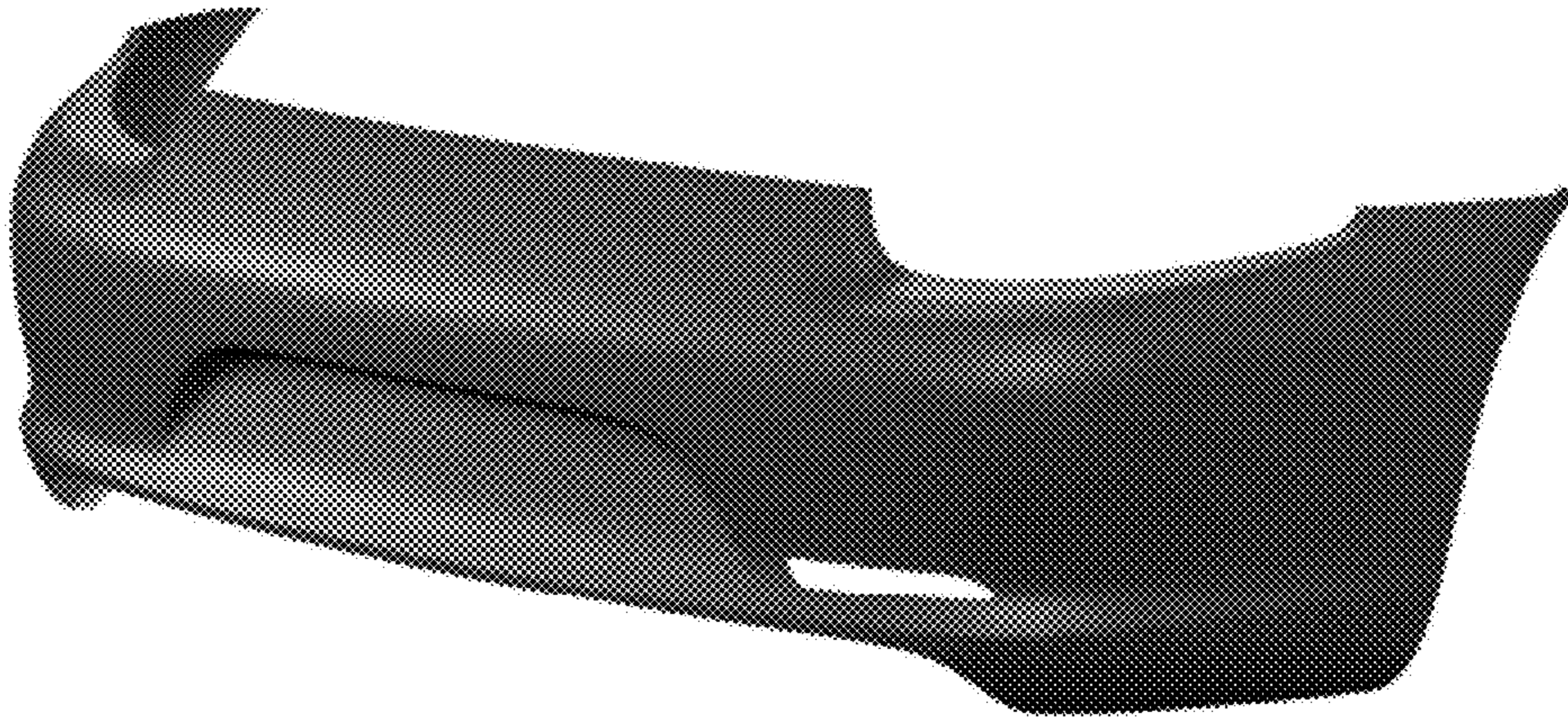


FIG. 1

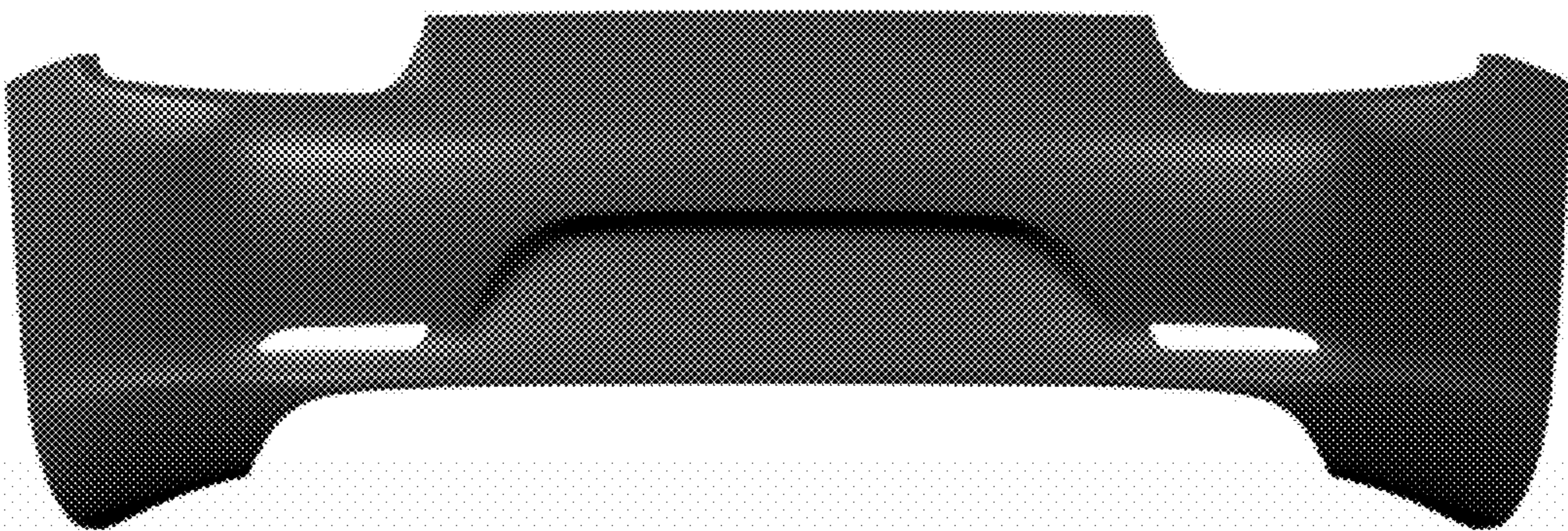


FIG. 2

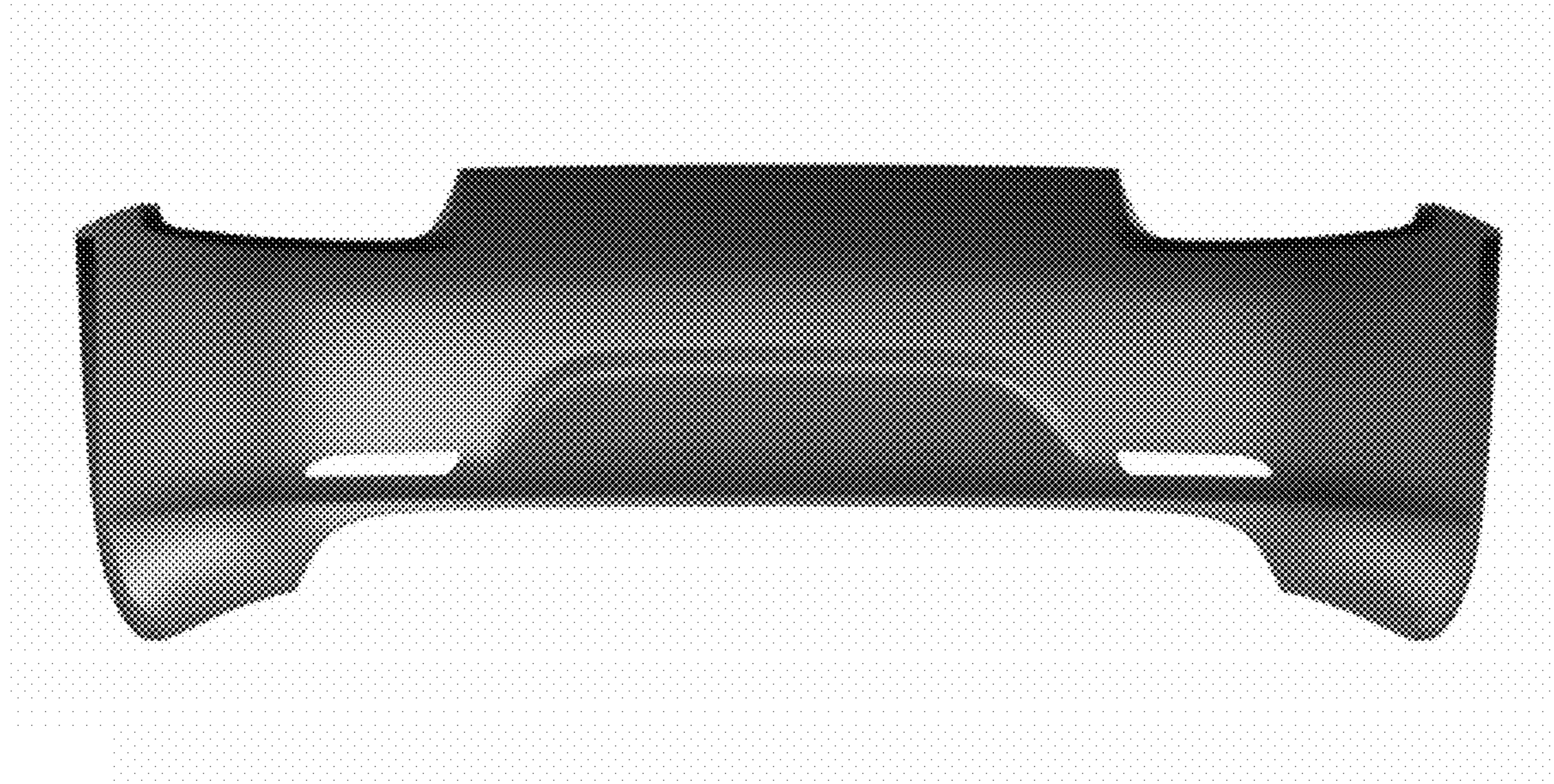


FIG. 3

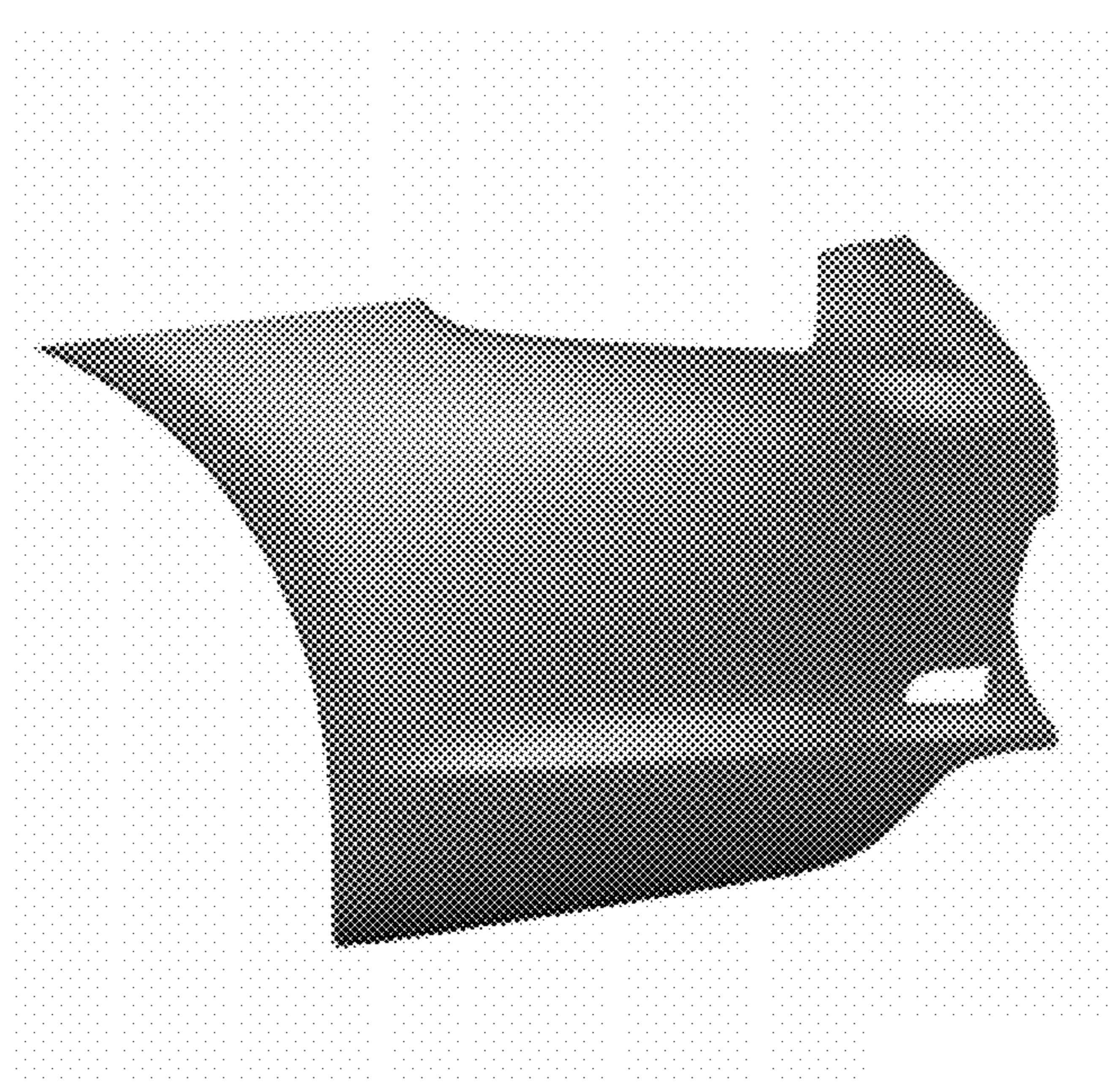


FIG. 4



FIG. 5

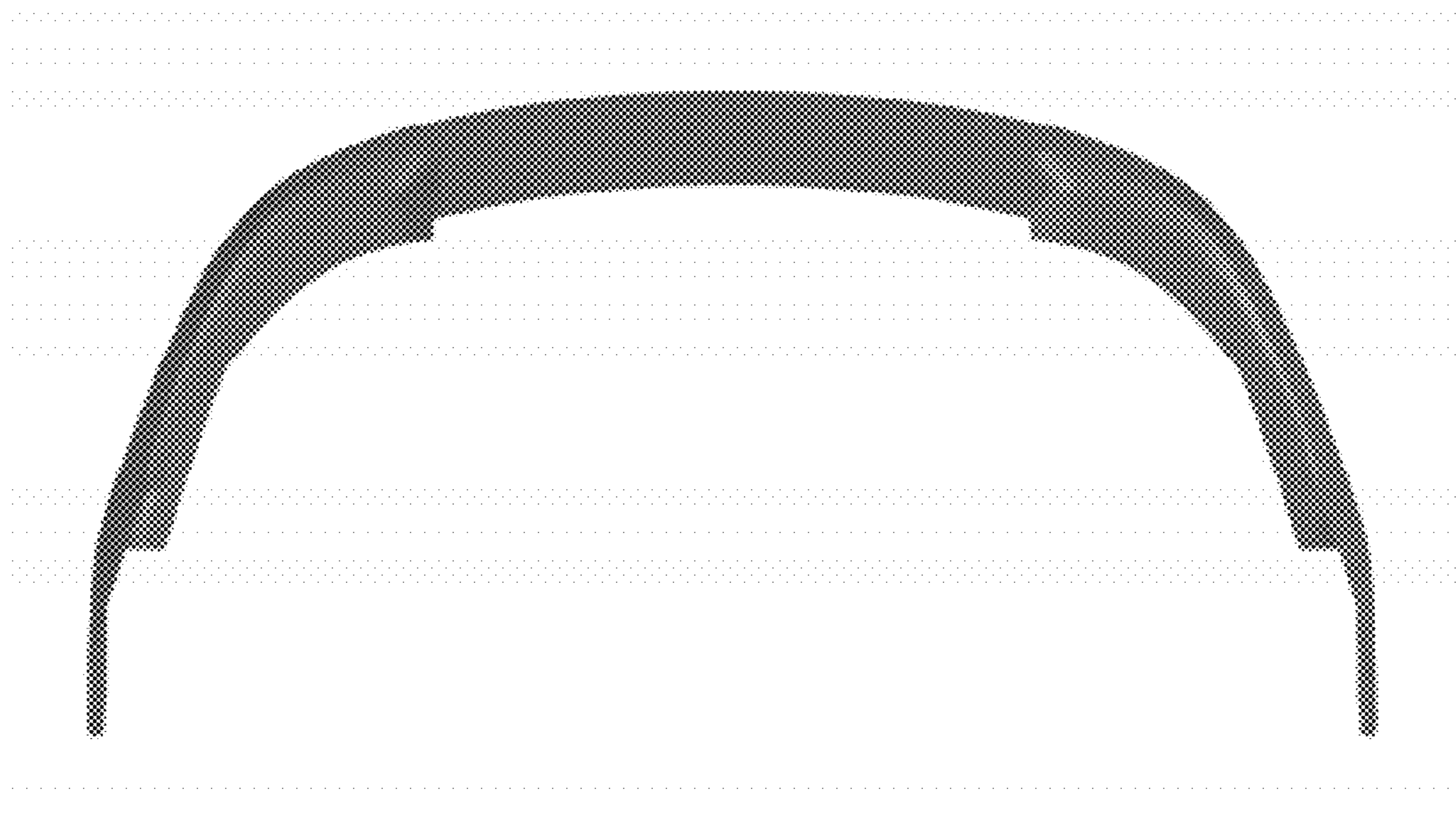


FIG. 6

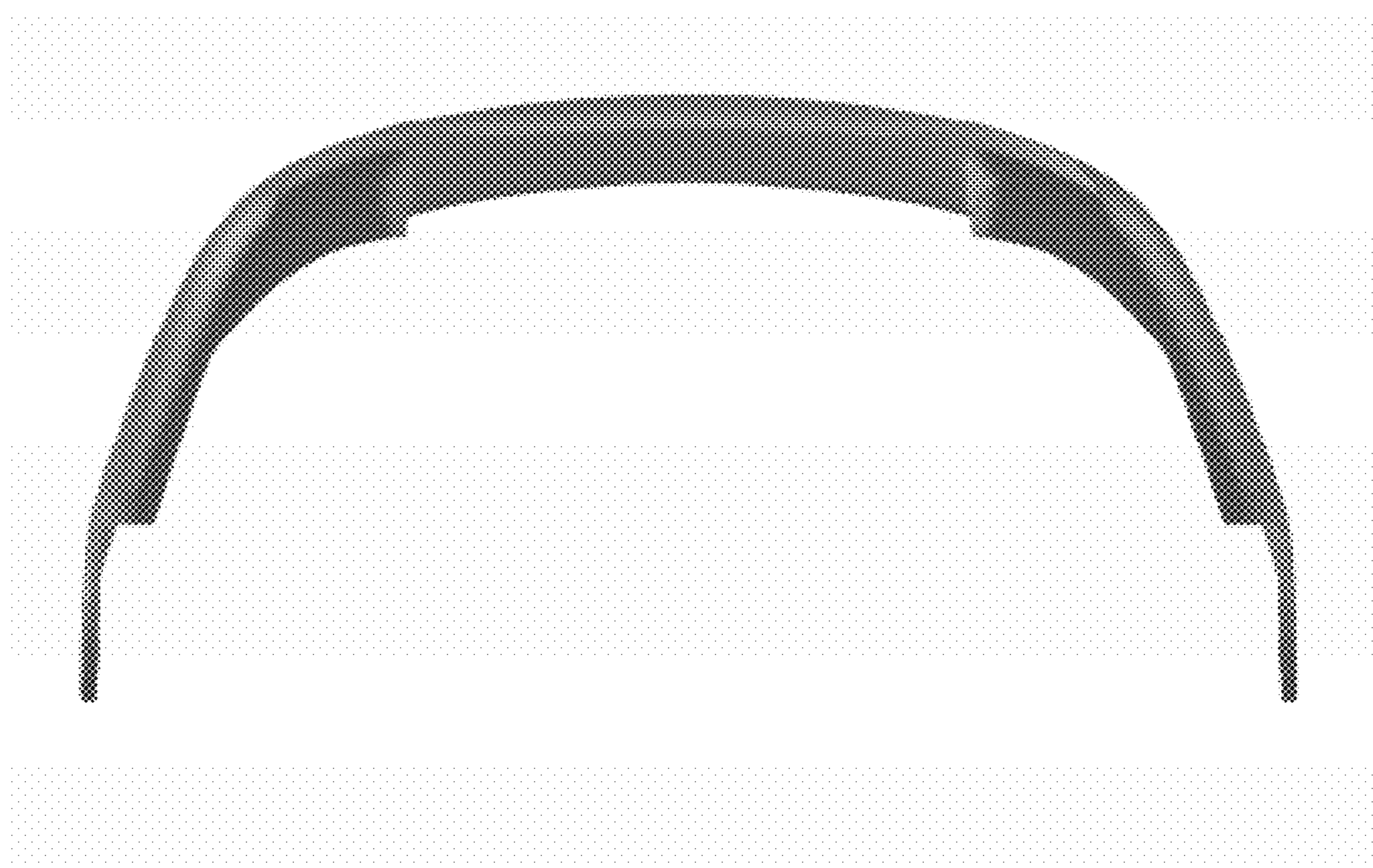


FIG. 7