



US00D659601S

(12) **United States Design Patent**  
**Kobayashi et al.**

(10) **Patent No.:** **US D659,601 S**  
(45) **Date of Patent:** **\*\* May 15, 2012**

(54) **FRONT PORTION OF AN AUTOMOBILE**

D630,553 S \* 1/2011 Muller ..... D12/91  
D630,554 S \* 1/2011 Kim ..... D12/91  
D630,555 S \* 1/2011 Koshino et al. .... D12/92

(75) Inventors: **Hirotda Kobayashi**, Toyota (JP);  
**Tomonori Matsumoto**, Newport Beach,  
CA (US)

**OTHER PUBLICATIONS**

Lexus LF-A, netcarshow.com, <http://www.netcarshow.com/lexus>,  
2009.  
Toyota-FT-HS Concept, netcarshow.com, <http://www.netcarshow.com>,  
2007.

(73) Assignee: **Toyota Jidosha Kabushiki Kaisha**,  
Toyota-shi (JP)

\* cited by examiner

(\*\*) Term: **14 Years**

*Primary Examiner* — Melody N Brown

(21) Appl. No.: **29/388,620**

(74) *Attorney, Agent, or Firm* — Finnegan, Henderson,  
Farabow, Garrett & Dunner, LLP

(22) Filed: **Mar. 31, 2011**

(51) **LOC (9) Cl.** ..... **12-16**

(52) **U.S. Cl.** ..... **D12/164**

(58) **Field of Classification Search** ..... D12/86,  
D12/90-92, 88, 164; D21/424, 433, 434;  
296/181.1, 181.5

(57) **CLAIM**

The ornamental design for a front portion of an automobile, as  
shown and described.

See application file for complete search history.

**DESCRIPTION**

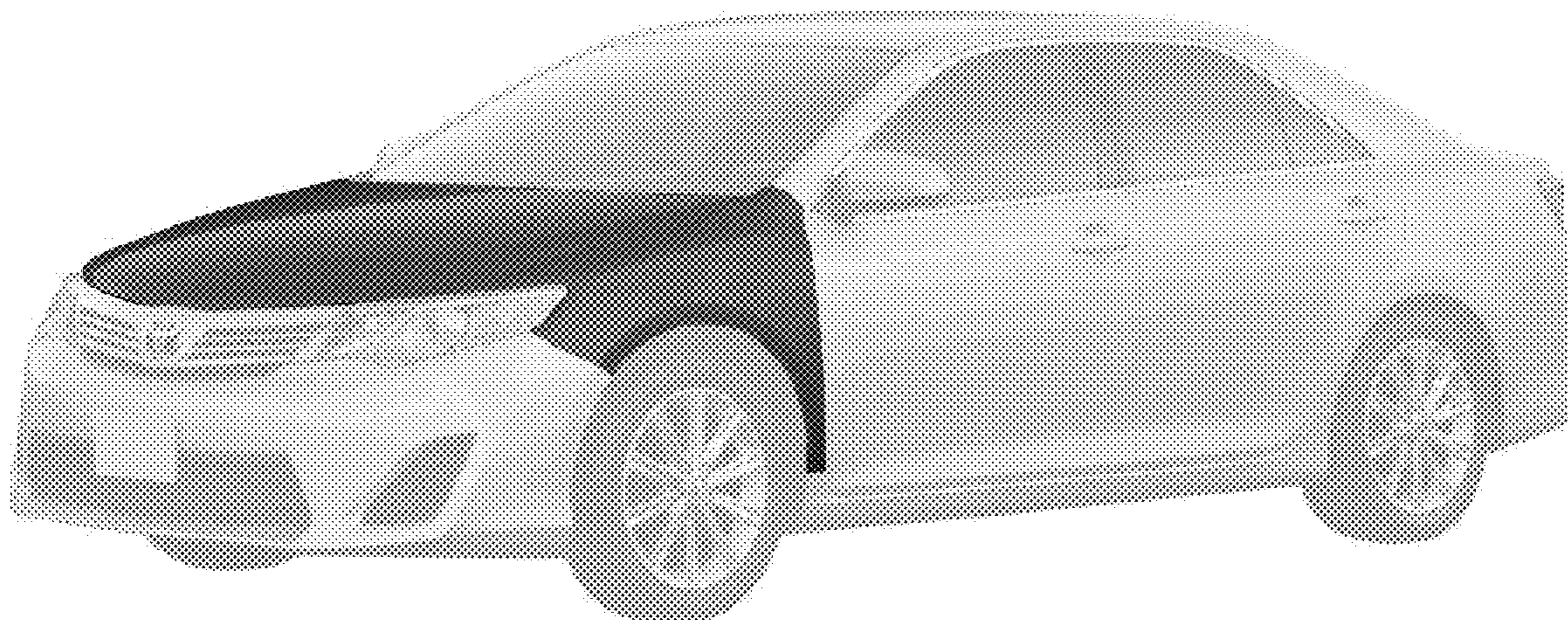
(56) **References Cited**

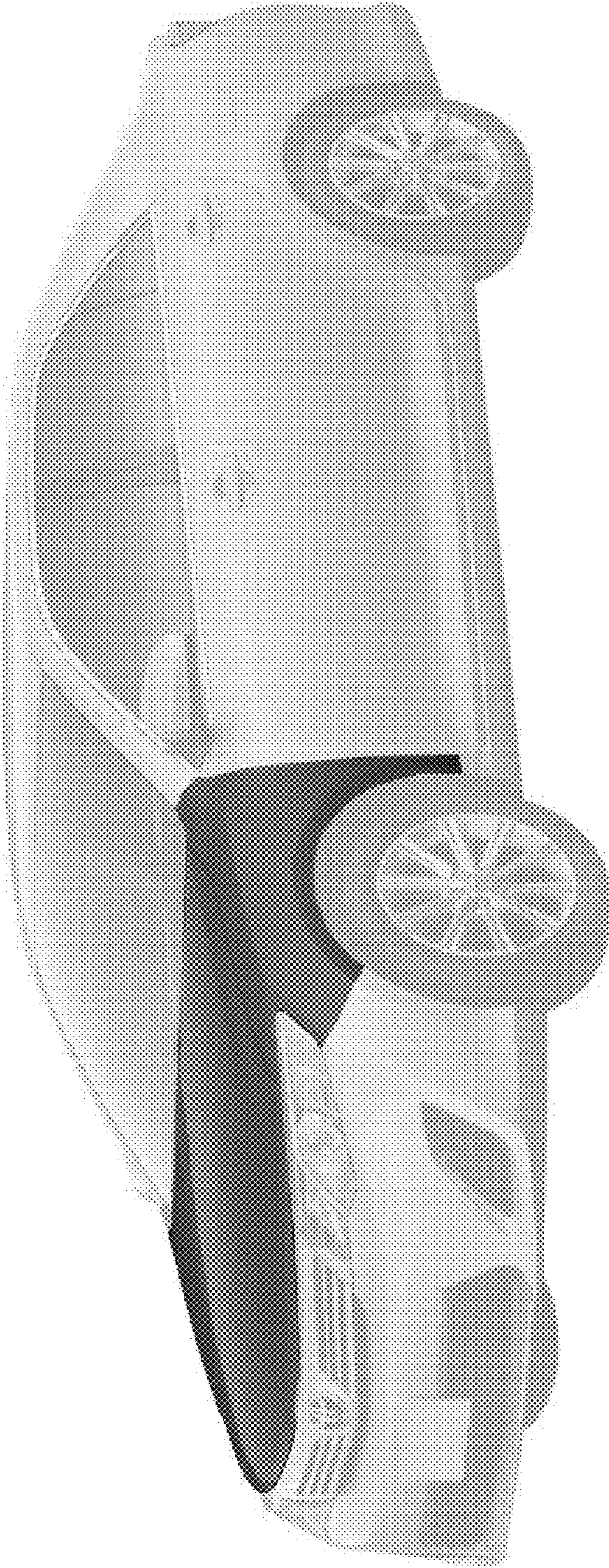
**U.S. PATENT DOCUMENTS**

D599,258 S \* 9/2009 Inukai et al. .... D12/164  
D619,502 S \* 7/2010 Cha ..... D12/91  
D622,191 S \* 8/2010 Yagi et al. .... D12/164  
D622,635 S \* 8/2010 Scott et al. .... D12/92  
D622,644 S \* 8/2010 Koyama et al. .... D12/164  
D624,850 S \* 10/2010 Yagi et al. .... D12/91  
D628,938 S \* 12/2010 Yamazaki et al. .... D12/91  
D628,942 S \* 12/2010 Kim ..... D12/92  
D630,133 S \* 1/2011 Eum ..... D12/91

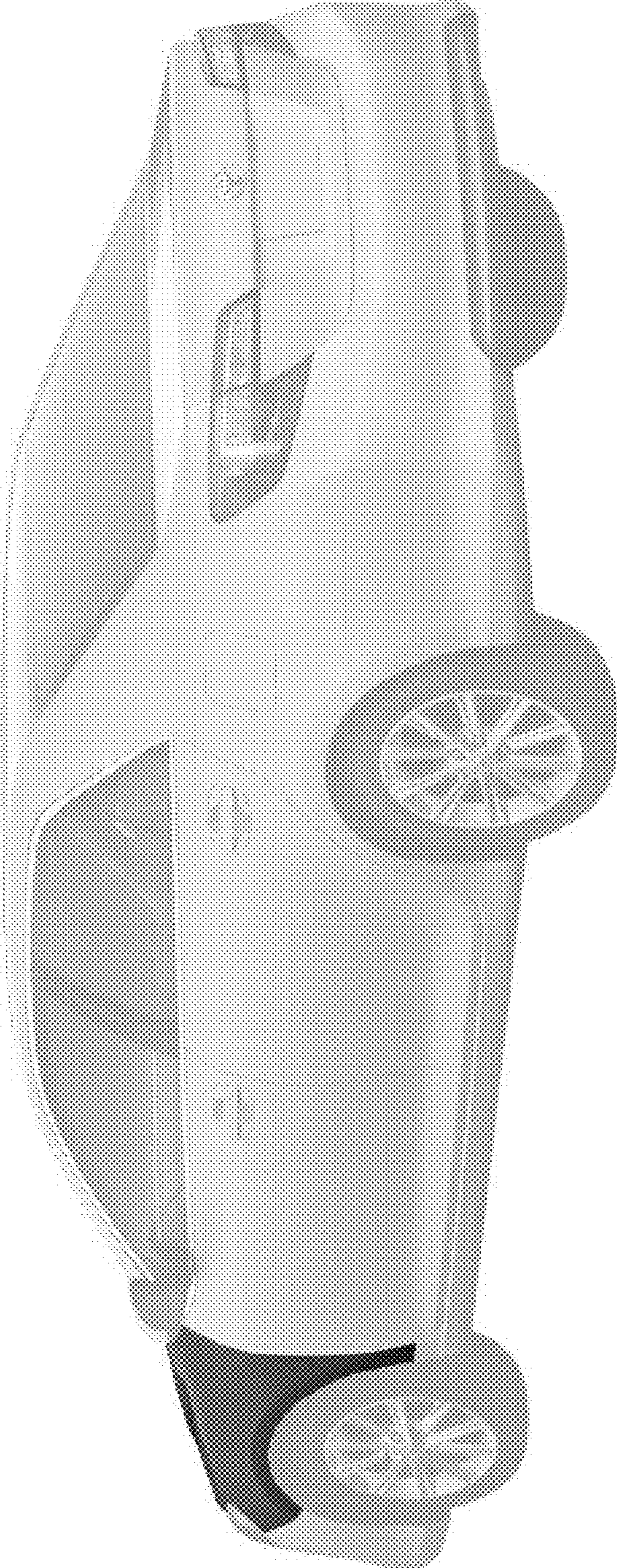
FIG. 1 is a front left perspective view of a front portion of an  
automobile of our new design;  
FIG. 2 is a rear right perspective view thereof;  
FIG. 3 is a front elevation view thereof;  
FIG. 4 is a rear elevation view thereof;  
FIG. 5 is a right side elevation view thereof, the left side view  
being a mirror image thereof; and,  
FIG. 6 is a top plan view thereof.  
The portion of the vehicle in light contrast is environment and  
is not a part of the claimed design.

**1 Claim, 5 Drawing Sheets**

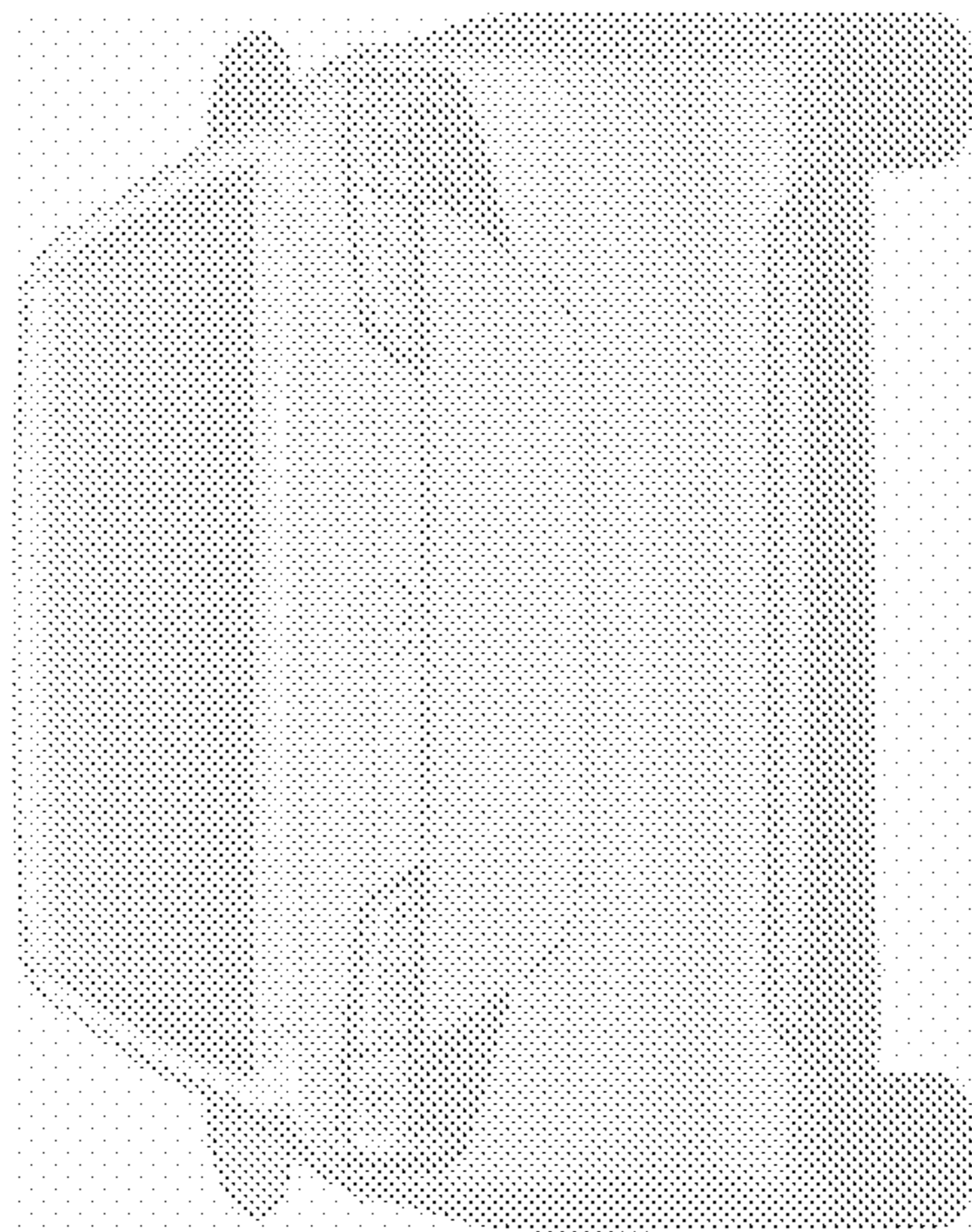




**FIG.1**



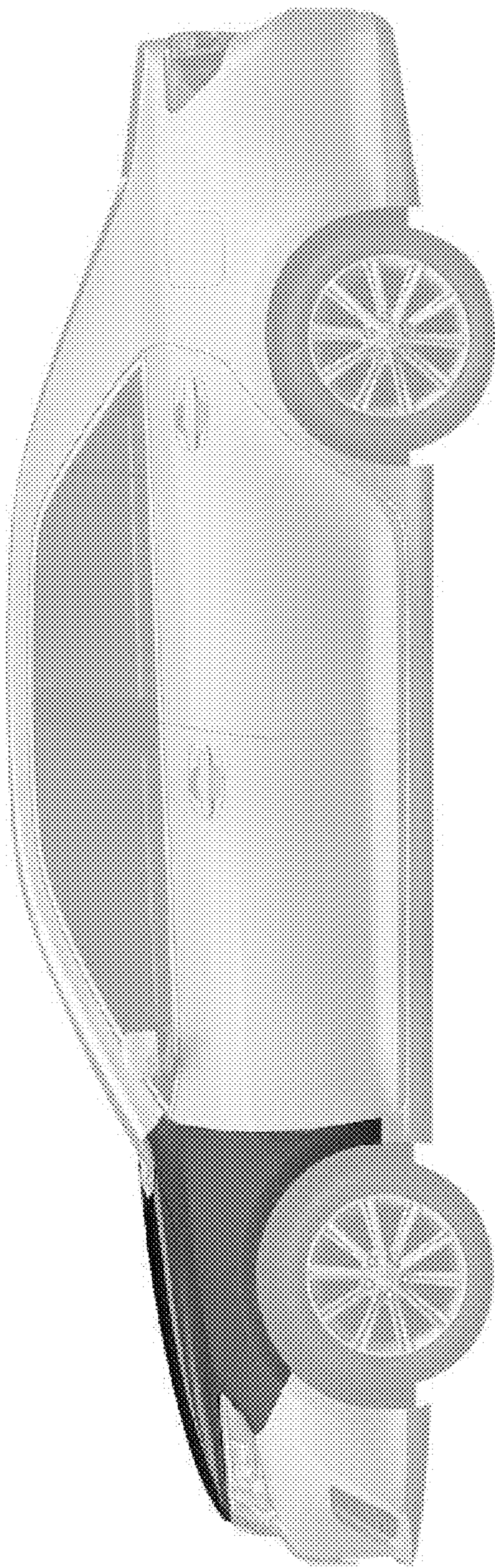
**FIG. 2**



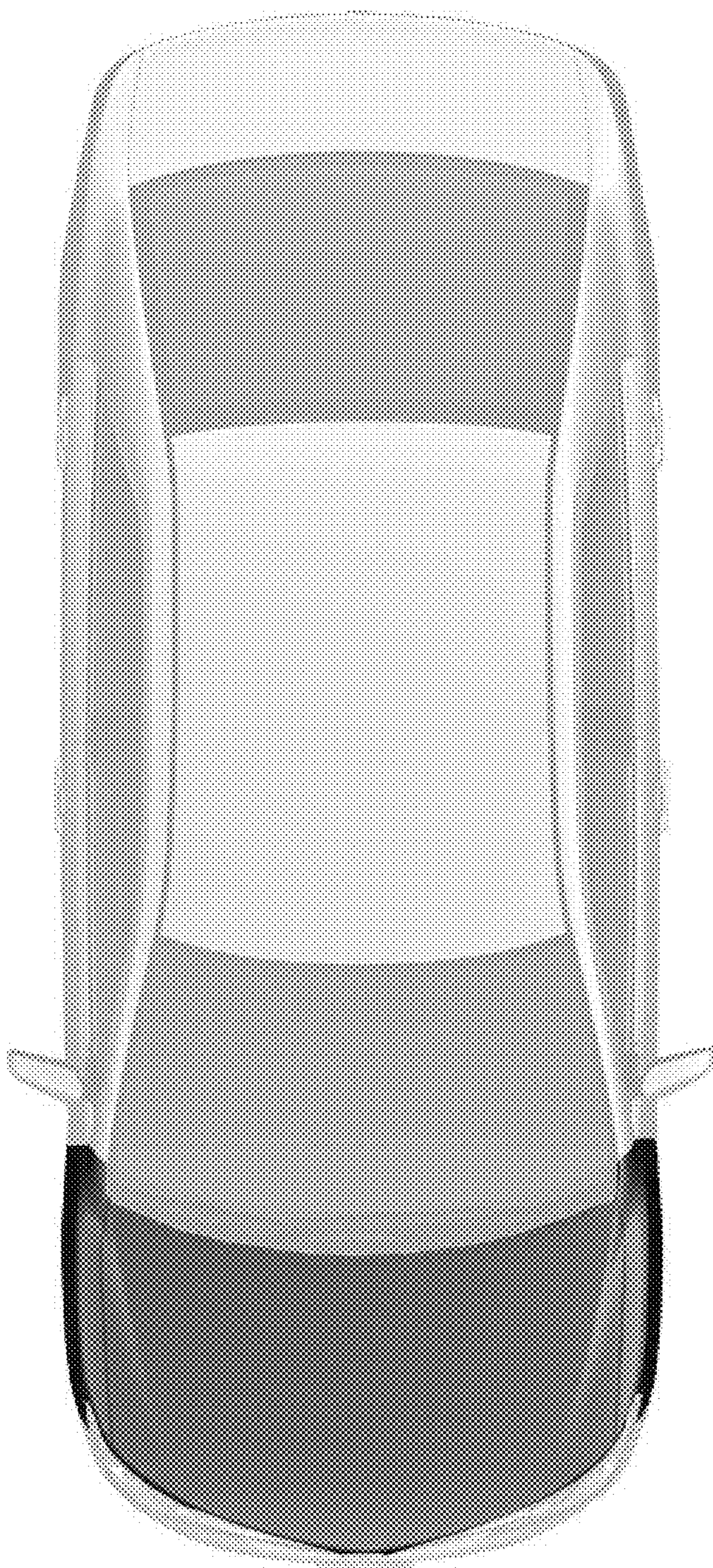
**FIG. 4**



**FIG. 3**



**FIG. 5**



**FIG. 6**