



US00D659600S

(12) **United States Design Patent**
Oya et al.

(10) **Patent No.:** **US D659,600 S**
(45) **Date of Patent:** **** May 15, 2012**

(54) **FRONT GRILL FOR AN AUTOMOBILE**

(75) Inventors: **Satoru Oya**, Toyota (JP); **Noriaki Takemasa**, Toyota (JP)

(73) Assignee: **Toyota Jidosha Kabushiki Kaisha**, Toyota-shi (JP)

(**) Term: **14 Years**

(21) Appl. No.: **29/388,648**

(22) Filed: **Mar. 31, 2011**

(51) **LOC (9) Cl.** **12-16**

(52) **U.S. Cl.** **D12/163**

(58) **Field of Classification Search** D12/163,
D12/196, 171, 169, 216, 90-92, 86; 180/68.1,
180/68.6; 296/193.11

See application file for complete search history.

(56) **References Cited**

U.S. PATENT DOCUMENTS

D505,099 S	5/2005	Suzuki	
D525,177 S	7/2006	Kitazumi et al.	
D565,480 S	4/2008	McMahan	
D574,304 S	8/2008	Tomida	
D630,975 S *	1/2011	Sperling et al.	D12/163
D631,801 S *	2/2011	Sperling et al.	D12/163
D645,795 S *	9/2011	Ishibashi	D12/163

OTHER PUBLICATIONS

Lexus GS 450h, Mfg.: Toyota; netcarshow.com, URL: <http://www.netcarshow.com/Lexus>; 2010.

Toyota Avensis, Mfg. Toyota; netcarshow.com; URL: <http://www.netcarshow.com/Lexus>; 2009.

* cited by examiner

Primary Examiner — Melody N Brown

(74) *Attorney, Agent, or Firm* — Finnegan, Henderson, Farabow, Garrett & Dunner, LLP

(57) **CLAIM**

The ornamental design for a front grill for an automobile, as shown and described.

DESCRIPTION

FIG. 1 is a front perspective view of a front grill for an automobile of our new design;

FIG. 2 is a front view thereof;

FIG. 3 is a top plan view thereof;

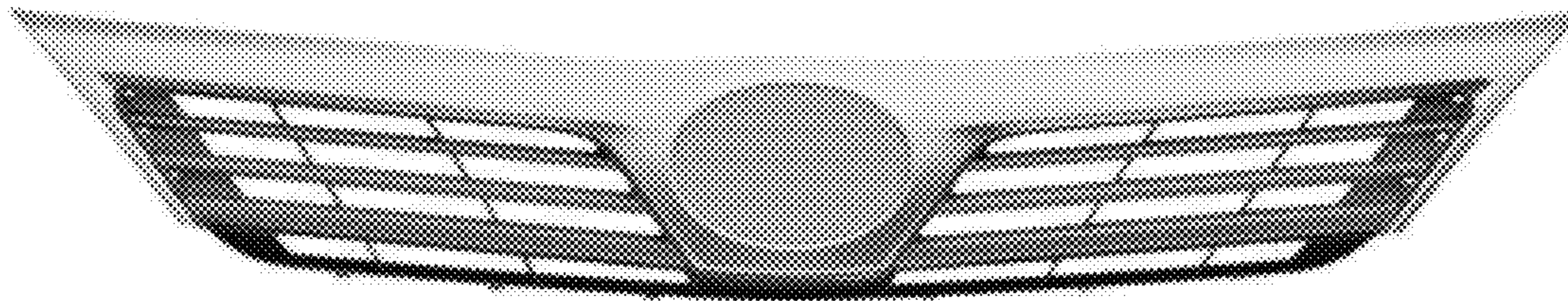
FIG. 4 is a bottom view thereof;

FIG. 5 is a right side view thereof; and,

FIG. 6 is a left side view thereof.

Appendix A is a rear view of our design, but it forms no part of the claimed design.

1 Claim, 3 Drawing Sheets



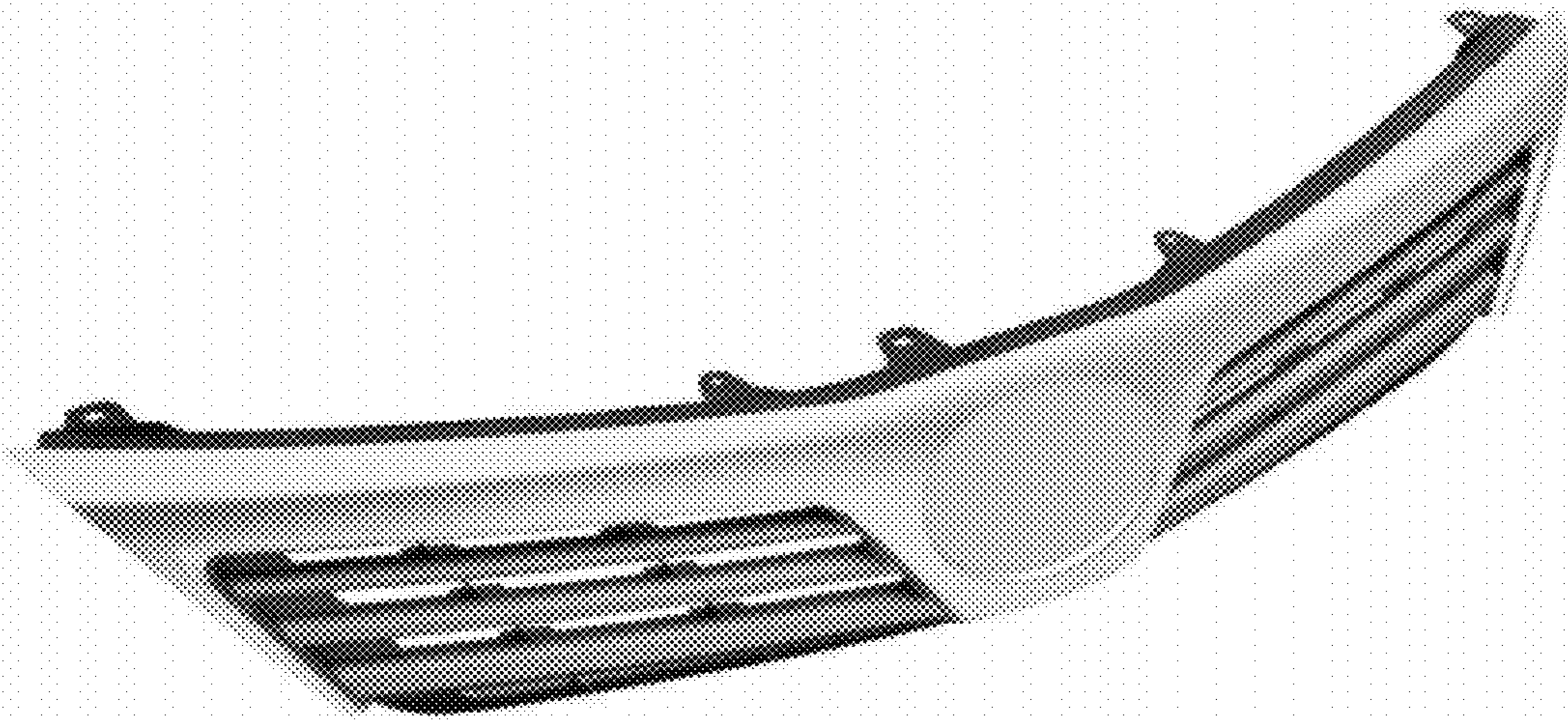


FIG. 1

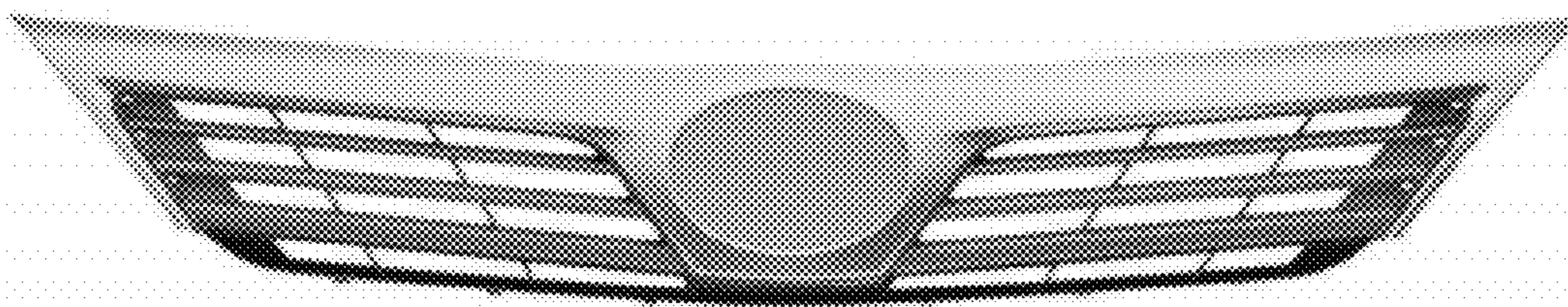


FIG. 2

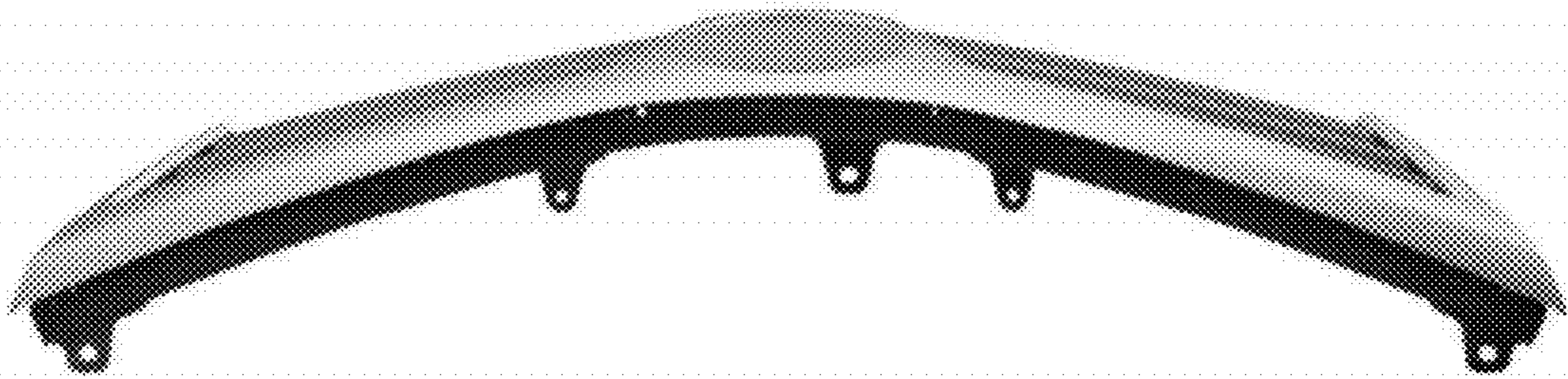


FIG. 3

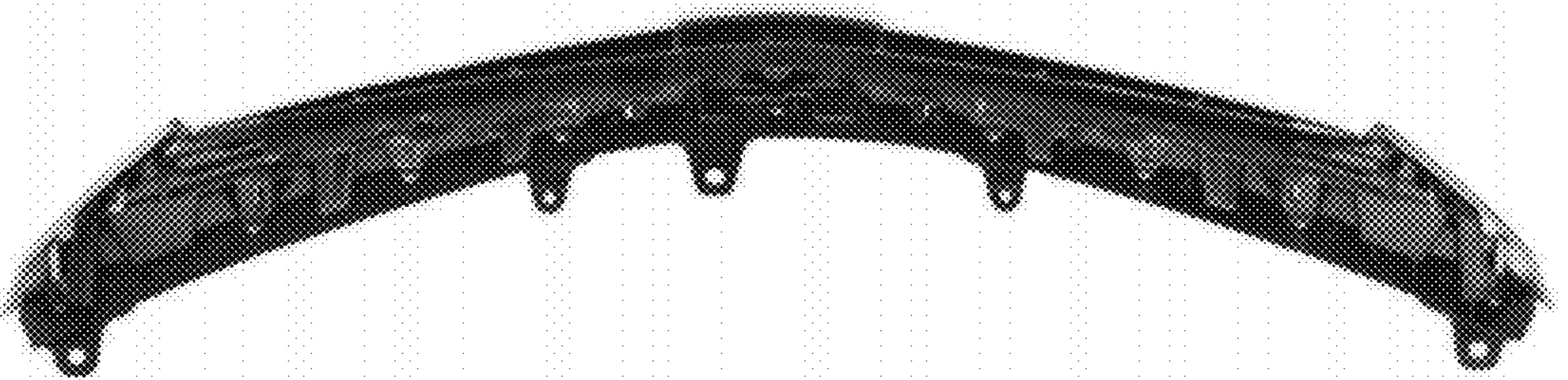


FIG. 4

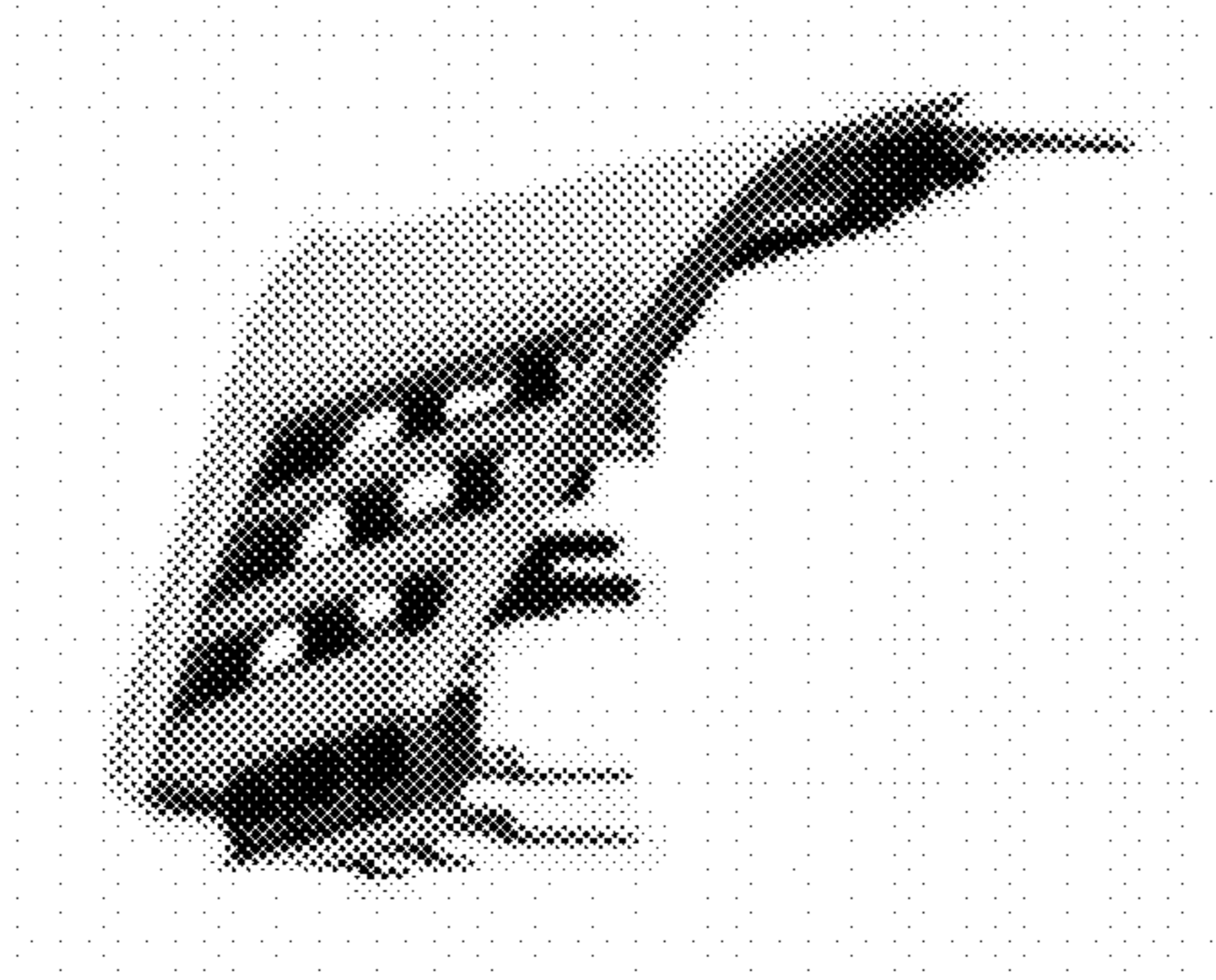


FIG. 5

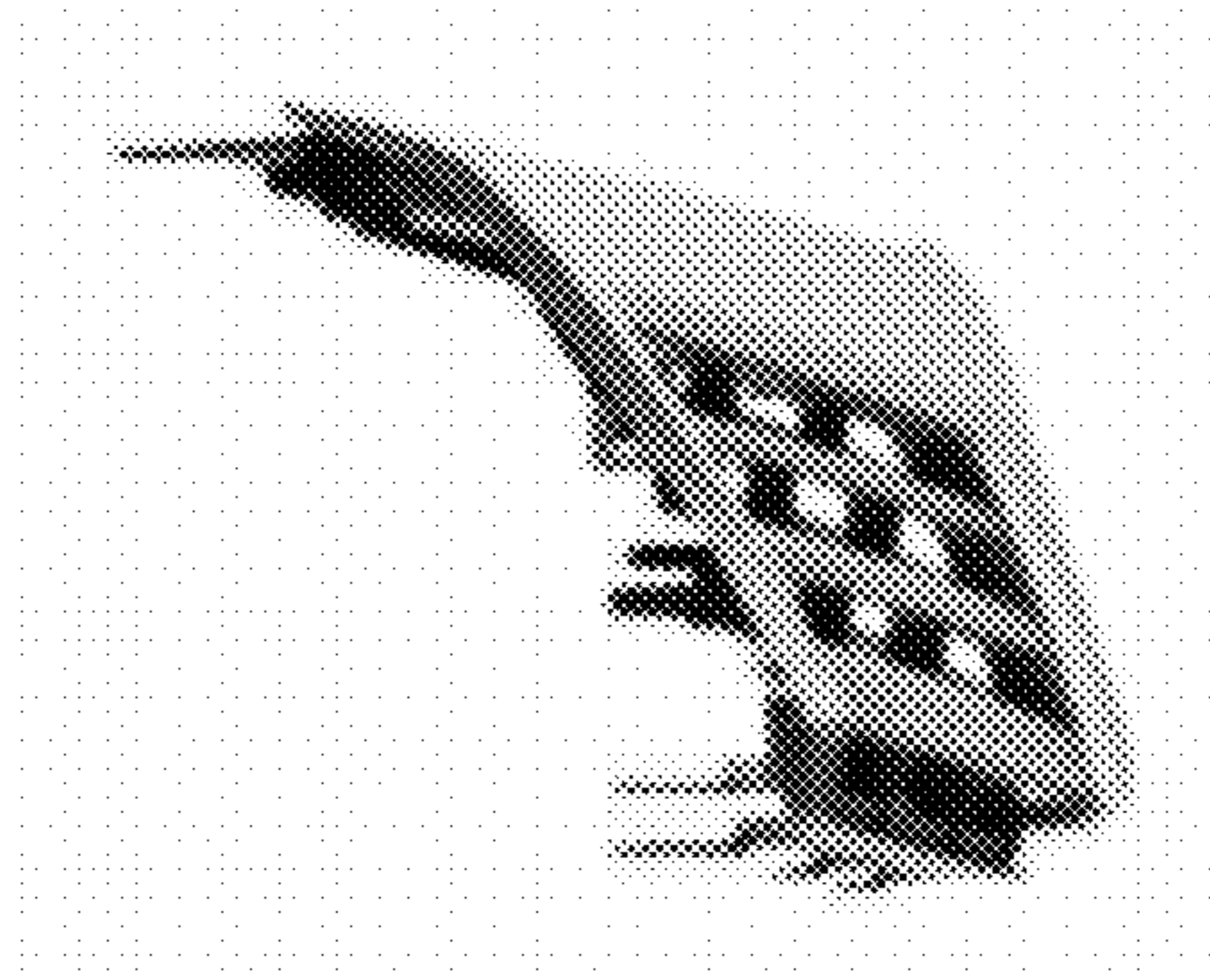


FIG. 6