



US00D659598S

(12) **United States Design Patent**  
**Cariddi**

(10) **Patent No.:** **US D659,598 S**

(45) **Date of Patent:** **\*\* May 15, 2012**

(54) **BIKE RACK**

(75) Inventor: **Anthony M. Cariddi**, Mesa, AZ (US)

(73) Assignee: **PW Athletic Mfg. Patterson-Williams, LLC**, Mesa, AZ (US)

(\*\*) Term: **14 Years**

(21) Appl. No.: **29/374,733**

(22) Filed: **Sep. 27, 2011**

(51) **LOC (9) Cl.** ..... **12-11**

(52) **U.S. Cl.** ..... **D12/115; D25/38**

(58) **Field of Classification Search** ..... D12/115,  
D12/120; 211/5, 17-24, 181.1, 182; 280/293;  
248/176.1, 309, 153, 175, 302; D6/462;  
D25/38, 39, 40, 43-45; 256/73

See application file for complete search history.

(56) **References Cited**

**U.S. PATENT DOCUMENTS**

590,443 A \* 9/1897 Temple ..... 211/21  
D27,769 S \* 10/1897 Pine ..... D12/115

D233,513 S \* 11/1974 Corkill ..... D12/115  
4,186,576 A \* 2/1980 Means et al. .... 70/233  
5,516,020 A \* 5/1996 Lawler et al. .... 224/405  
D502,550 S \* 3/2005 Walker ..... D25/38  
D583,484 S \* 12/2008 Ferris ..... D25/38  
D623,991 S \* 9/2010 Nusbaum ..... D12/115

\* cited by examiner

*Primary Examiner* — Susan M Lee

*Assistant Examiner* — Linda G. Brooks

(74) *Attorney, Agent, or Firm* — Peter B. Goldman

(57) **CLAIM**

The ornamental design for a bike rack, as shown and described.

**DESCRIPTION**

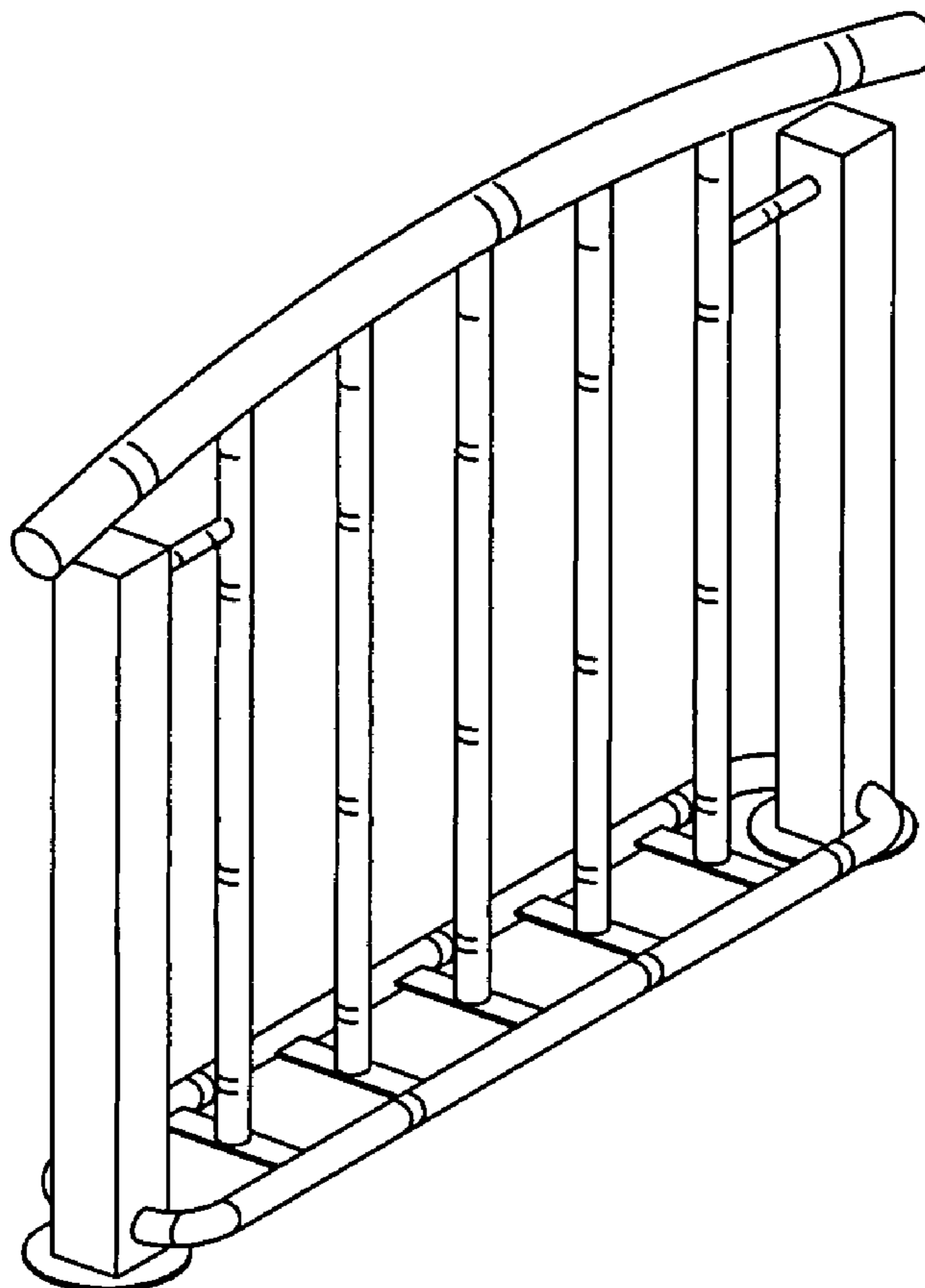
FIG. 1 is a perspective view of the bike rack in accordance with the invention;

FIG. 2 is a top plan view of the bike rack of FIG. 1;

FIG. 3 is a front elevation thereof; and,

FIG. 4 is a right side elevation thereof, and is a mirror image of the left side of the bike rack disclosed herein.

**1 Claim, 1 Drawing Sheet**



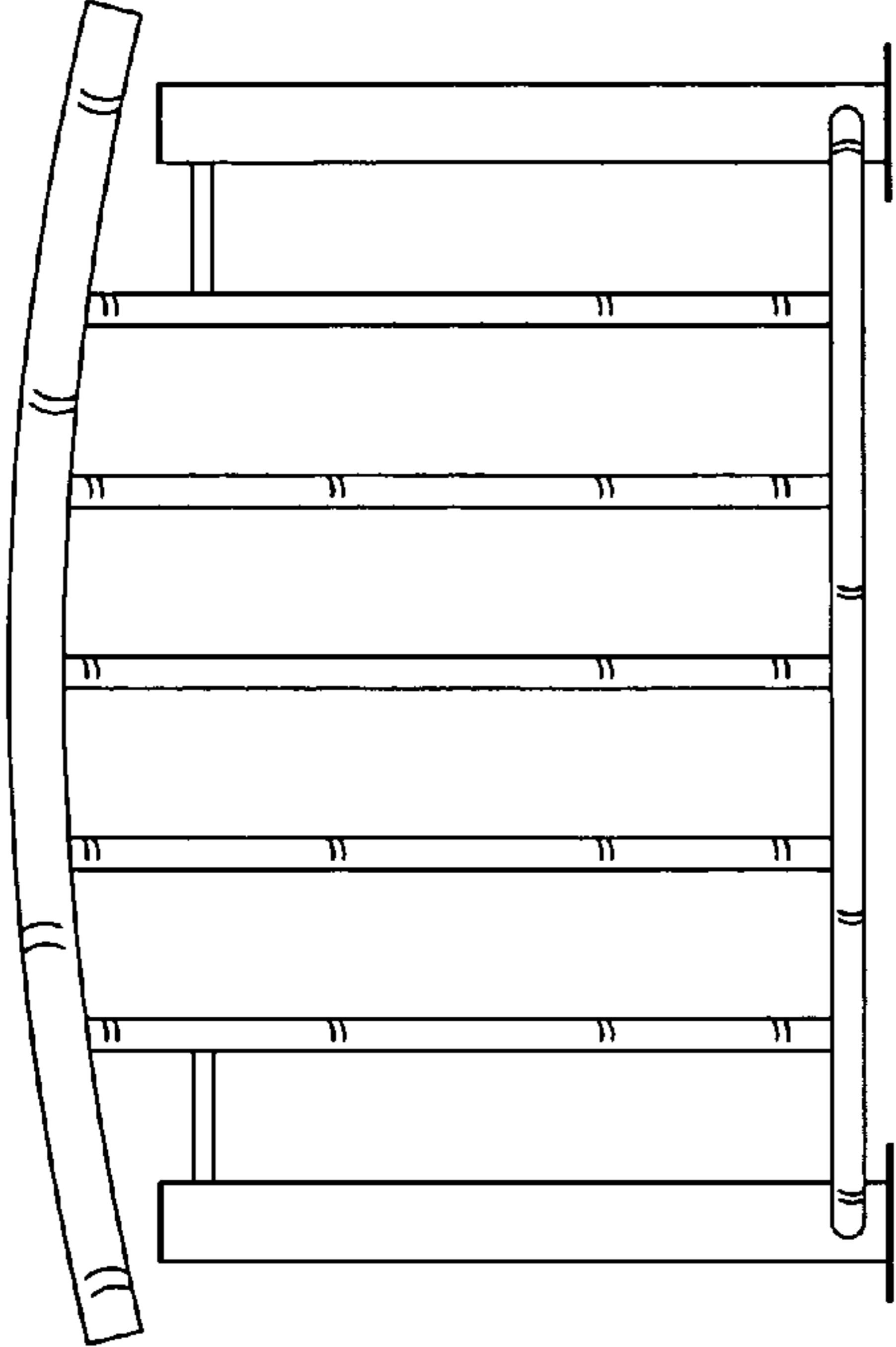


FIG. 3

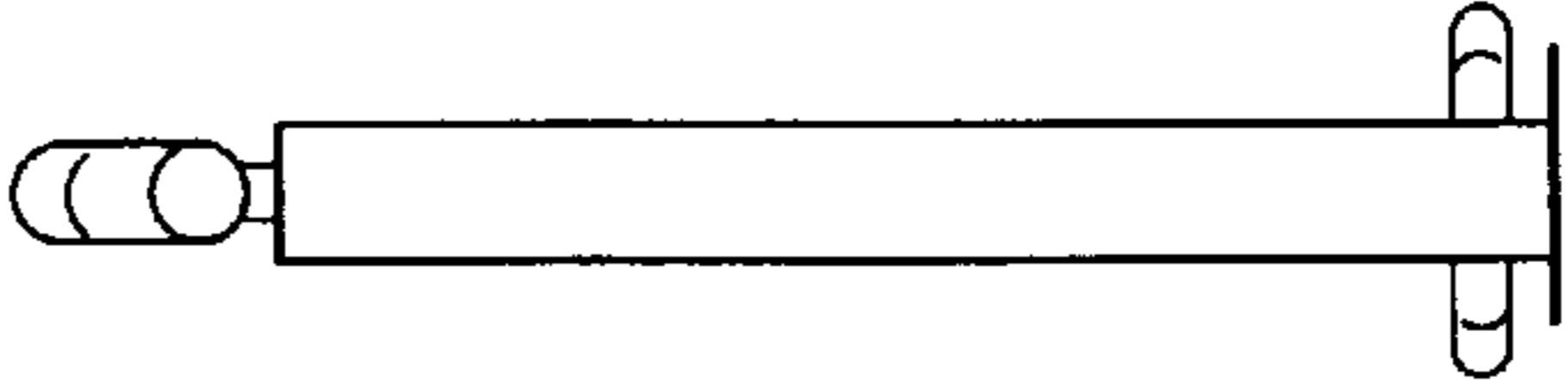


FIG. 4

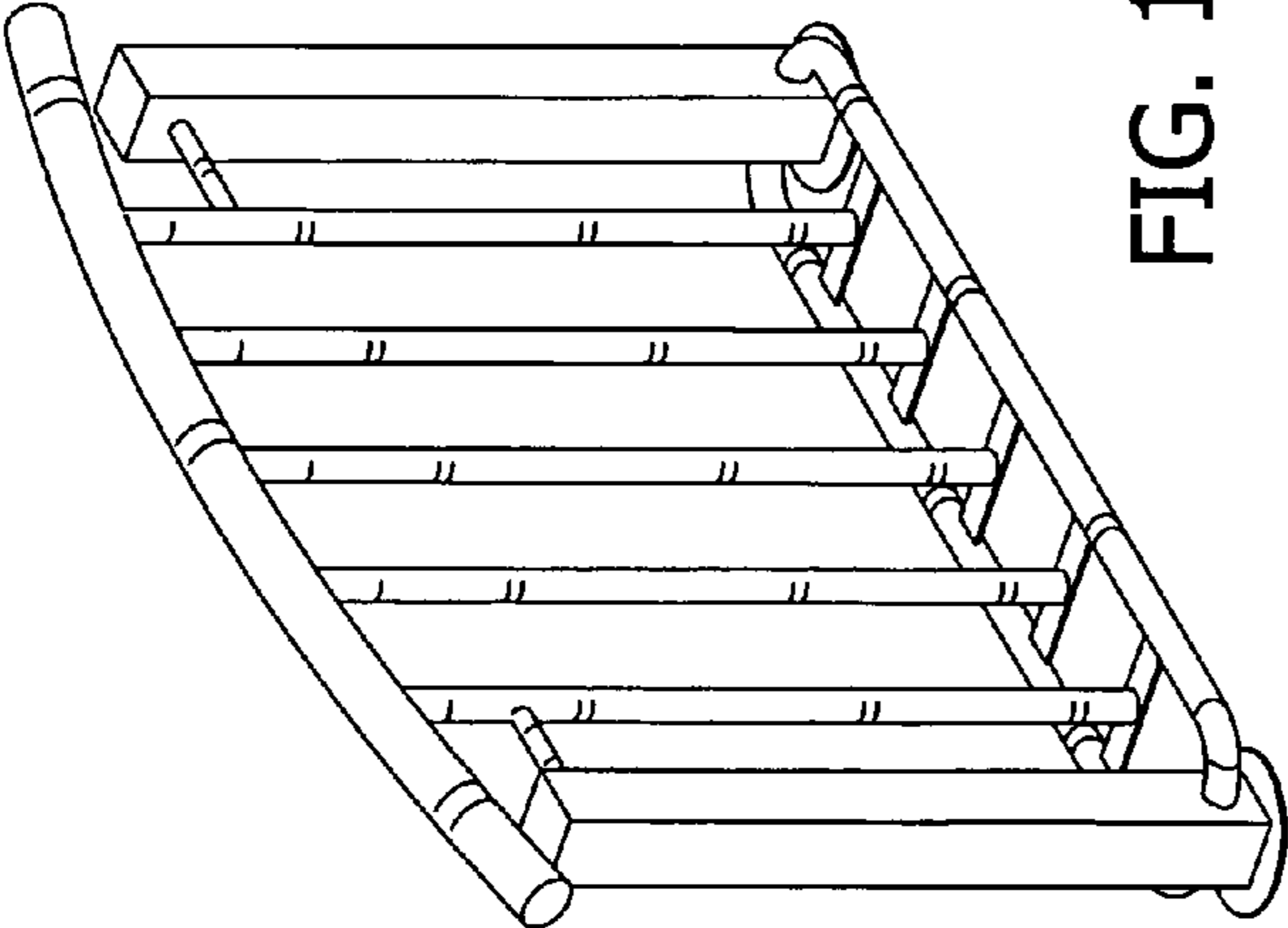


FIG. 1

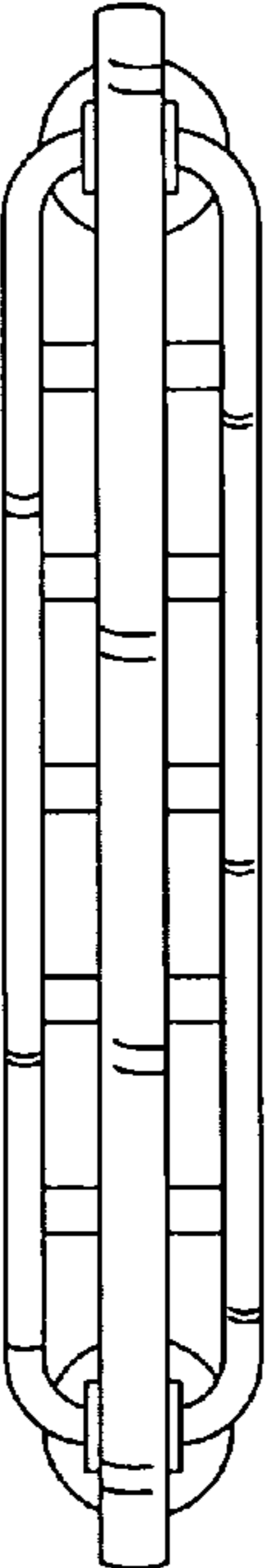


FIG. 2