



US00D659597S

(12) **United States Design Patent**  
**Chen**

(10) **Patent No.:** **US D659,597 S**

(45) **Date of Patent:** **\*\* May 15, 2012**

(54) **BALANCE BIKE**

(76) Inventor: **Wang-Chuan Chen**, Taichung (TW)

(\*\*) Term: **14 Years**

(21) Appl. No.: **29/397,879**

(22) Filed: **Jul. 22, 2011**

(51) **LOC (9) Cl.** ..... **12-11**

(52) **U.S. Cl.** ..... **D12/111**

(58) **Field of Classification Search** ..... D12/111;  
D21/419, 432, 538; 280/274-280, 283-288,  
280/288.1-288.3, 281.1; 446/440

See application file for complete search history.

(56) **References Cited**

**U.S. PATENT DOCUMENTS**

D430,509 S *	9/2000	Stocksmeier	.....	D12/111
D504,845 S *	5/2005	Coerschulte	.....	D12/111
D512,664 S *	12/2005	Schreier	.....	D12/111
D614,538 S *	4/2010	Rochon	.....	D12/111
D629,049 S *	12/2010	McFarland	.....	D21/419

\* cited by examiner

*Primary Examiner* — Susan M Lee

*Assistant Examiner* — Linda G. Brooks

(74) *Attorney, Agent, or Firm* — Alan Kamrath; Kamrath IP Lawfirm, PA

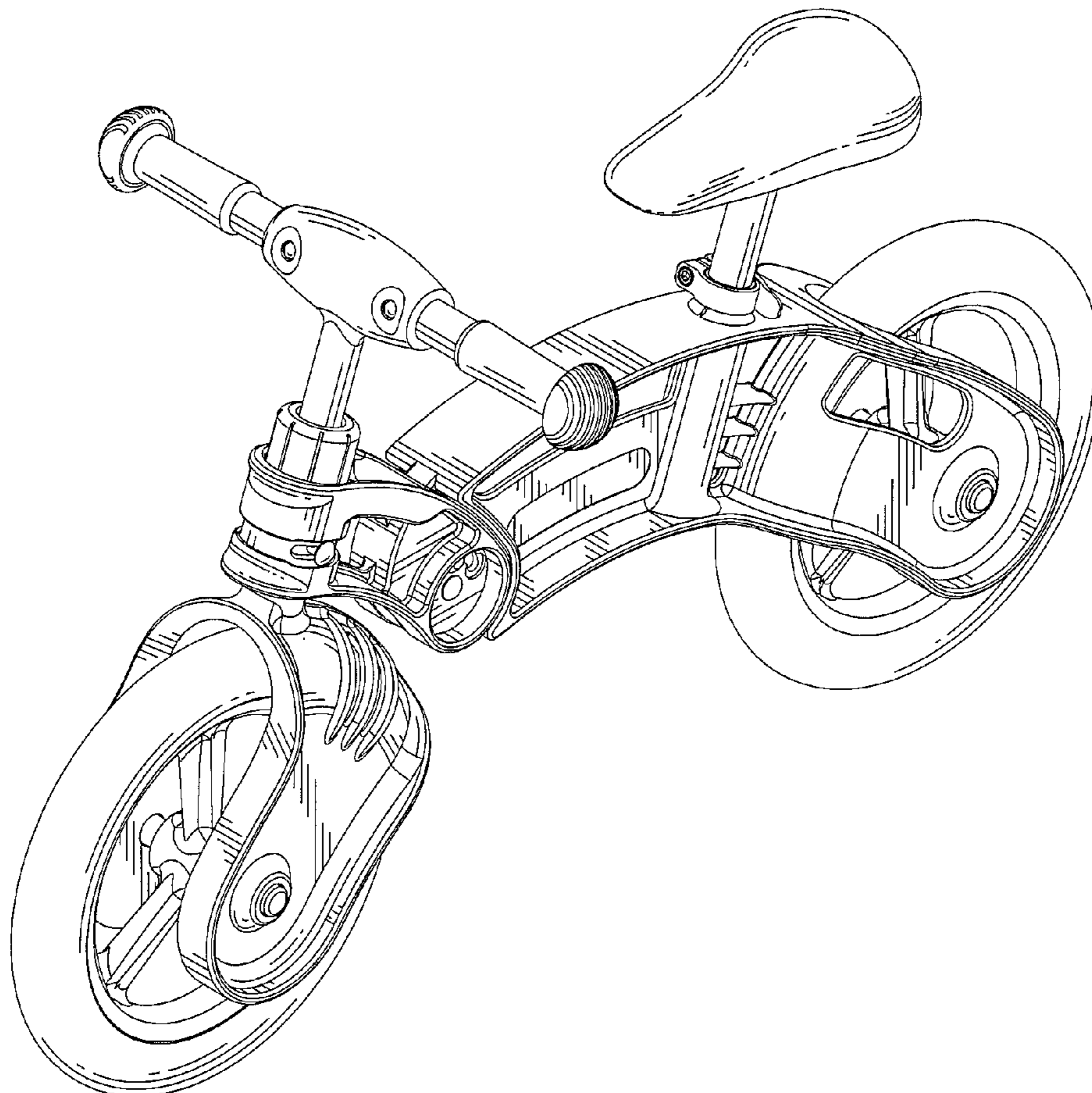
(57) **CLAIM**

The ornamental design for a balance bike, as shown and described.

**DESCRIPTION**

FIG. 1 is a perspective view of a balance bike showing my new design;  
FIG. 2 is a front view thereof;  
FIG. 3 is a rear view thereof;  
FIG. 4 is a left view thereof;  
FIG. 5 is a right view thereof;  
FIG. 6 is a top view thereof; and,  
FIG. 7 is a bottom view thereof.

**1 Claim, 6 Drawing Sheets**



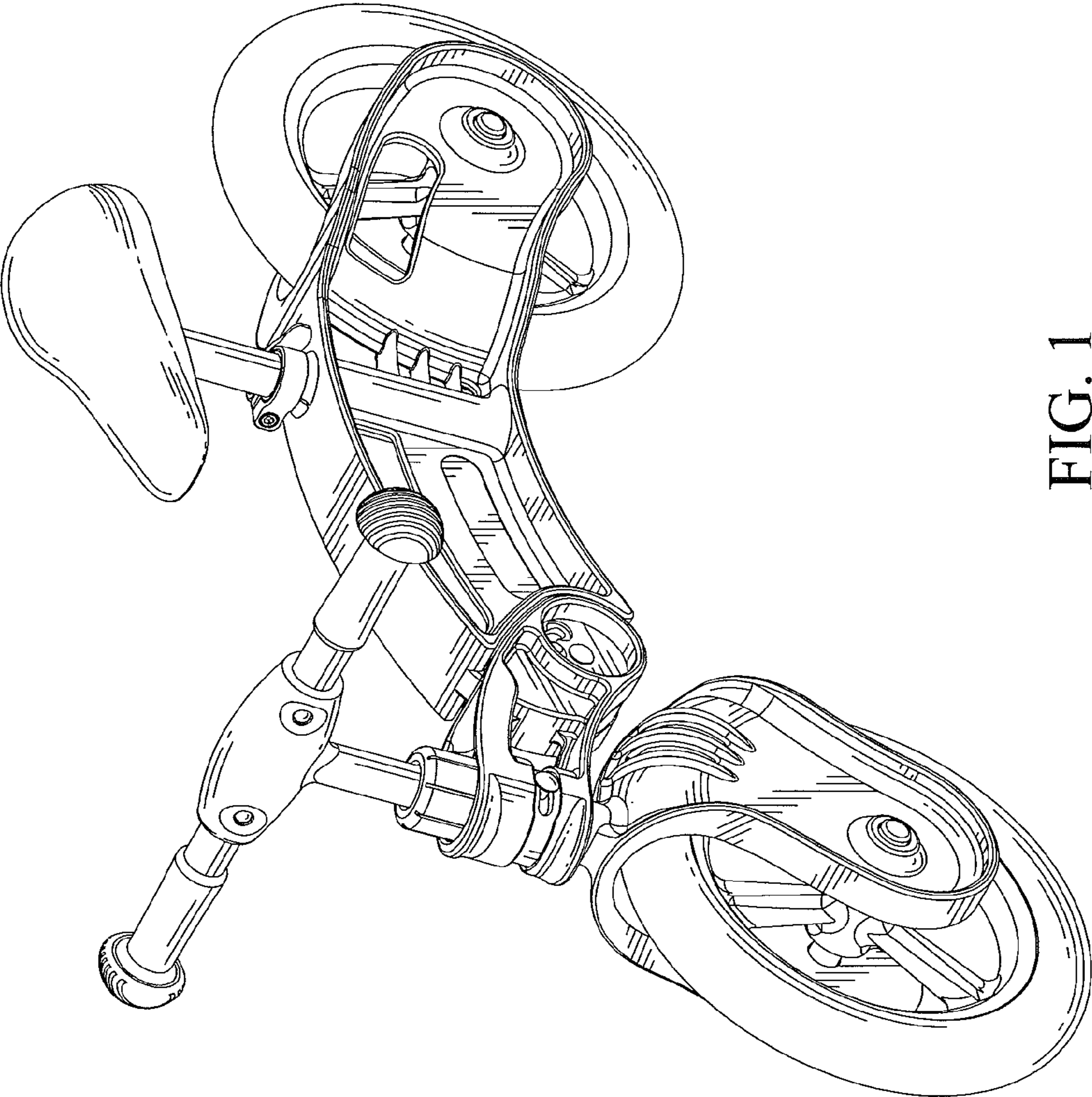


FIG. 1

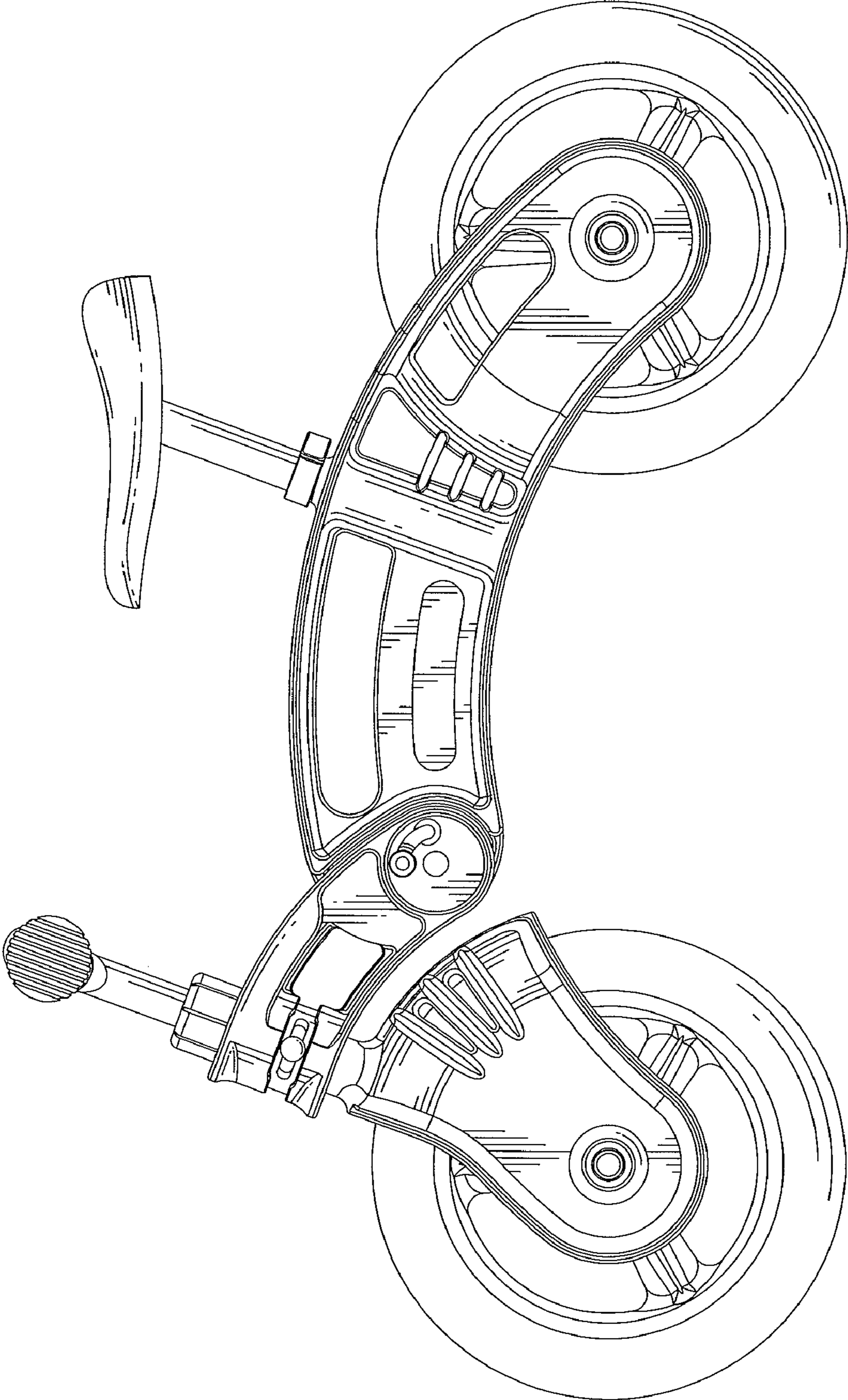


FIG. 2



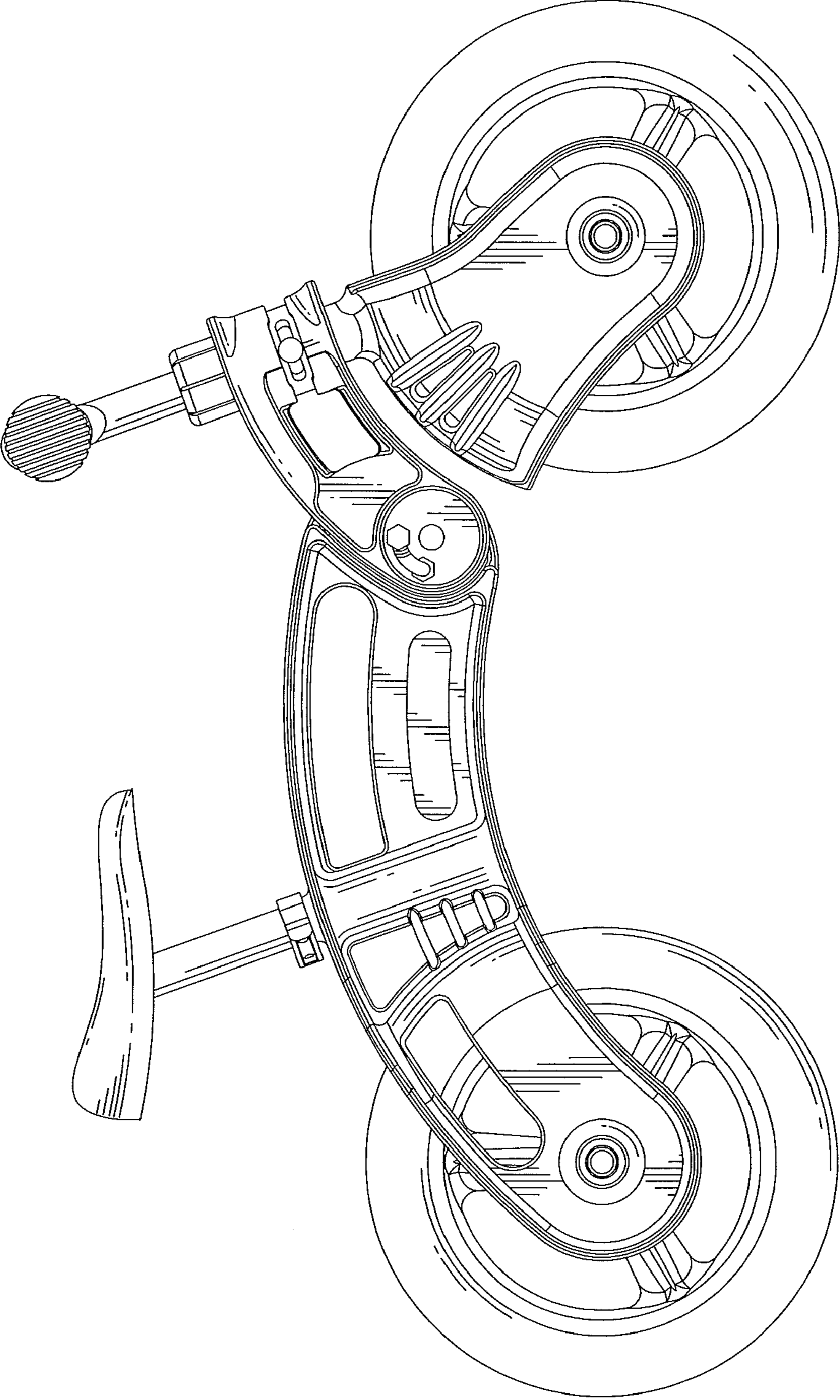


FIG. 3

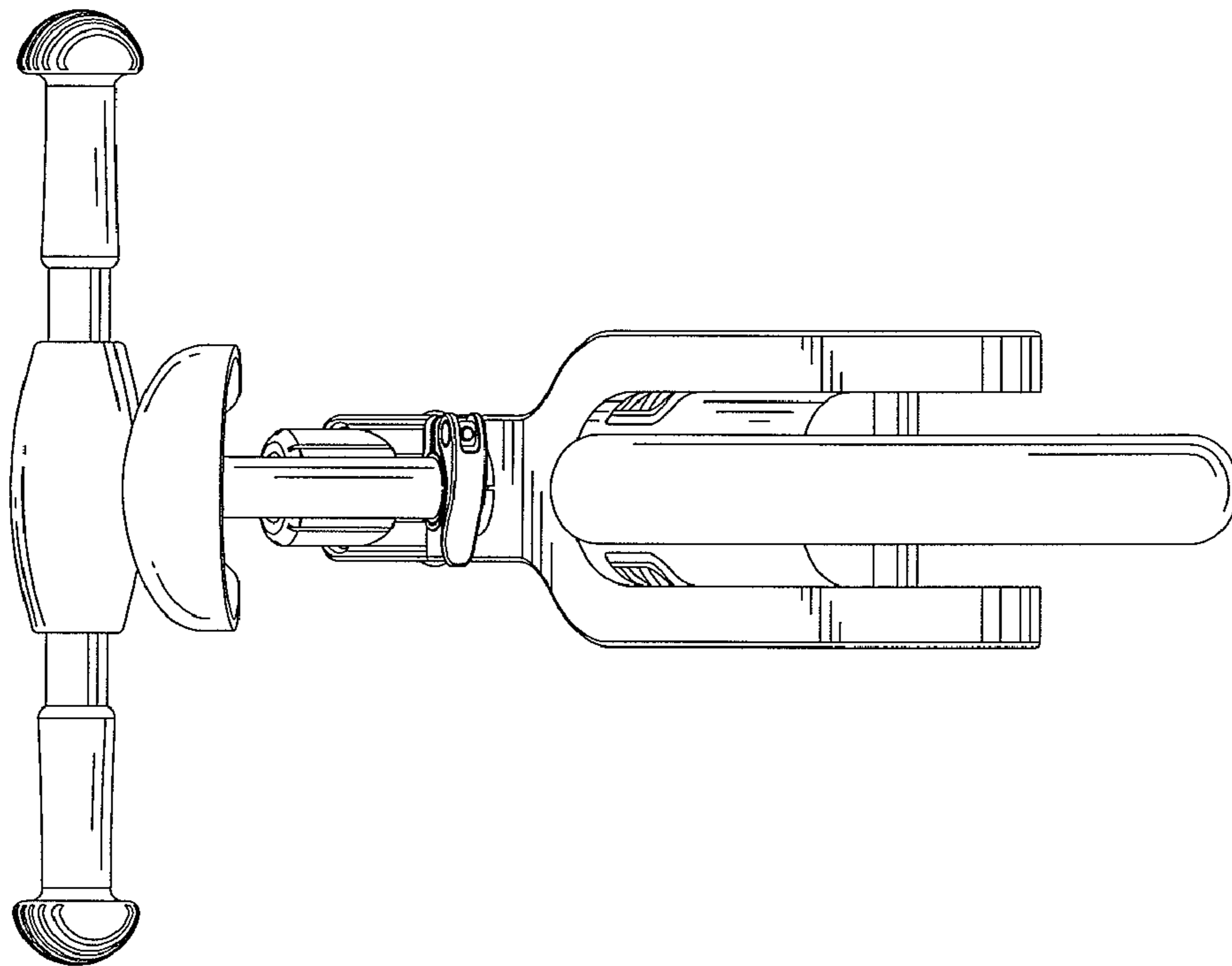


FIG. 5

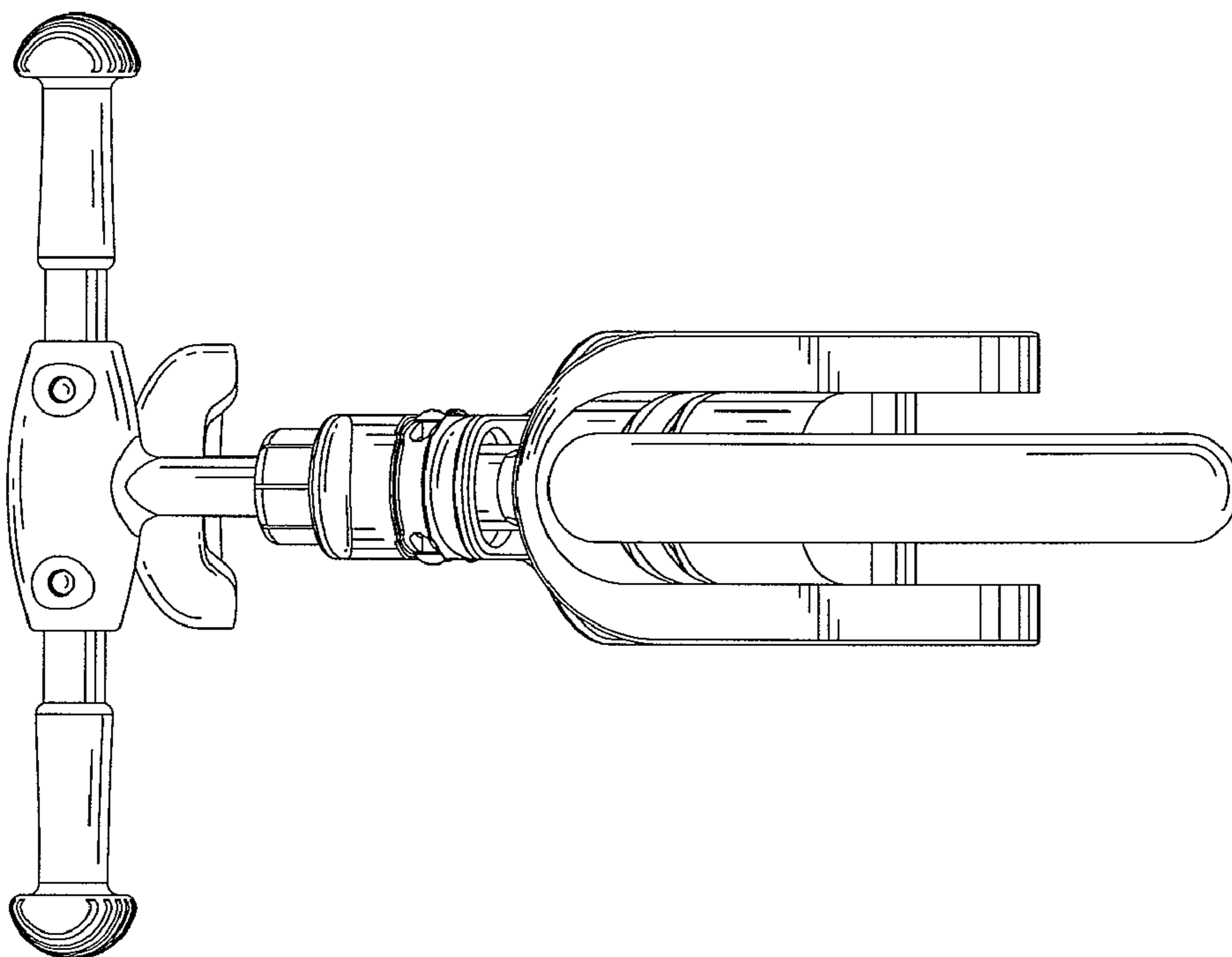


FIG. 4

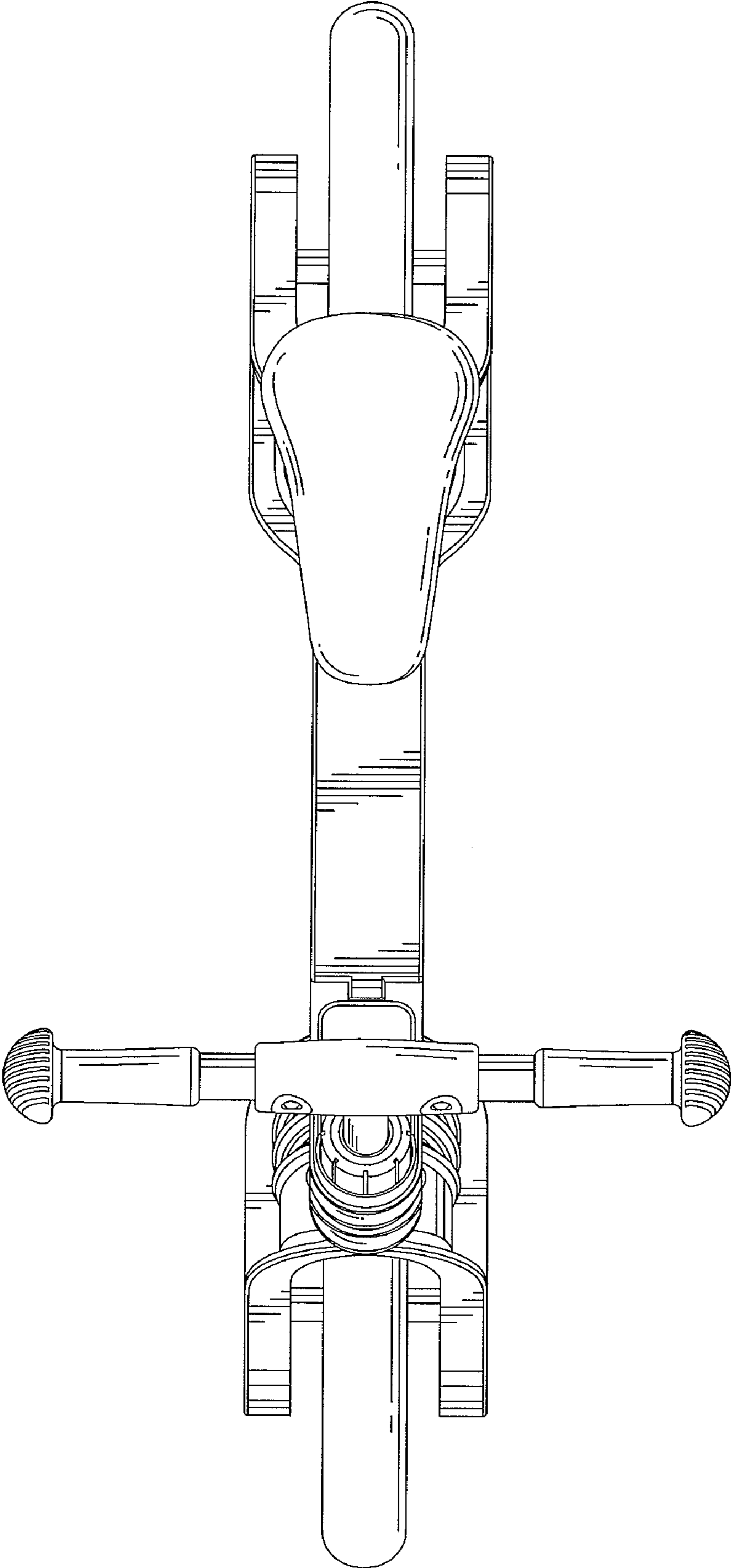


FIG. 6

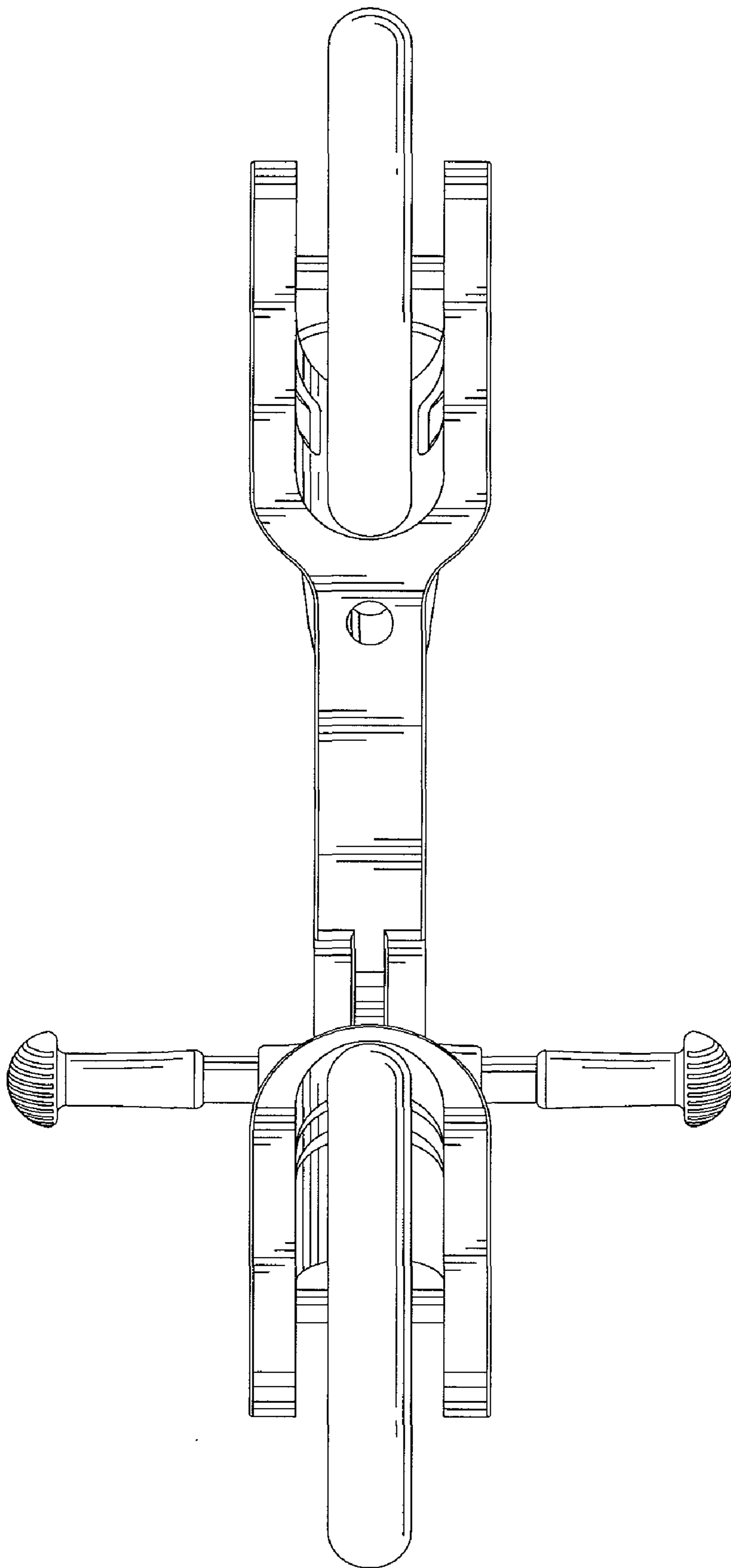


FIG. 7