



US00D659596S

(12) **United States Design Patent**
Zhang et al.

(10) **Patent No.:** **US D659,596 S**
(45) **Date of Patent:** **** May 15, 2012**

(54) **FRAME OF ELECTRIC VEHICLE**
(75) Inventors: **Xue-qing Zhang**, SuZhou (CN); **Xue Li**,
SuZhou (CN)
(73) Assignee: **Suzhou Eagle Electric Vehicle**
Manufacturing Co., Ltd., Suzhou,
Jiangsu Province (CN)

(**) Term: **14 Years**
(21) Appl. No.: **29/393,994**
(22) Filed: **Jun. 10, 2011**

(30) **Foreign Application Priority Data**

Jan. 31, 2011 (CN) 2011 3 0019399

(51) **LOC (9) Cl.** **12-11**
(52) **U.S. Cl.** **D12/110**
(58) **Field of Classification Search** D12/110,
D12/107; 180/219, 220, 225, 228, 231, 311,
180/312, 230, 218, 65.1, 65.5-65.8, 68.1,
180/68.2, 68.5; 280/274-280, 281.1, 283-288,
280/288.1-288.3

See application file for complete search history.

(56) **References Cited**

U.S. PATENT DOCUMENTS

2,458,720 A * 1/1949 Mertz 474/89
2,910,130 A * 10/1959 Schlaphoff 180/208
D207,042 S * 2/1967 Otsuka et al. D12/110

D216,415 S * 12/1969 Proffer D12/110
3,666,293 A * 5/1972 Schlaphoff 280/278
D223,790 S * 6/1972 Miyachi et al. D12/110
6,047,786 A * 4/2000 Stevenson et al. 180/65.1
6,464,031 B1 * 10/2002 Cobb 180/230
D591,203 S * 4/2009 Martin D12/110
D653,590 S * 2/2012 Patterson et al. D12/110

* cited by examiner

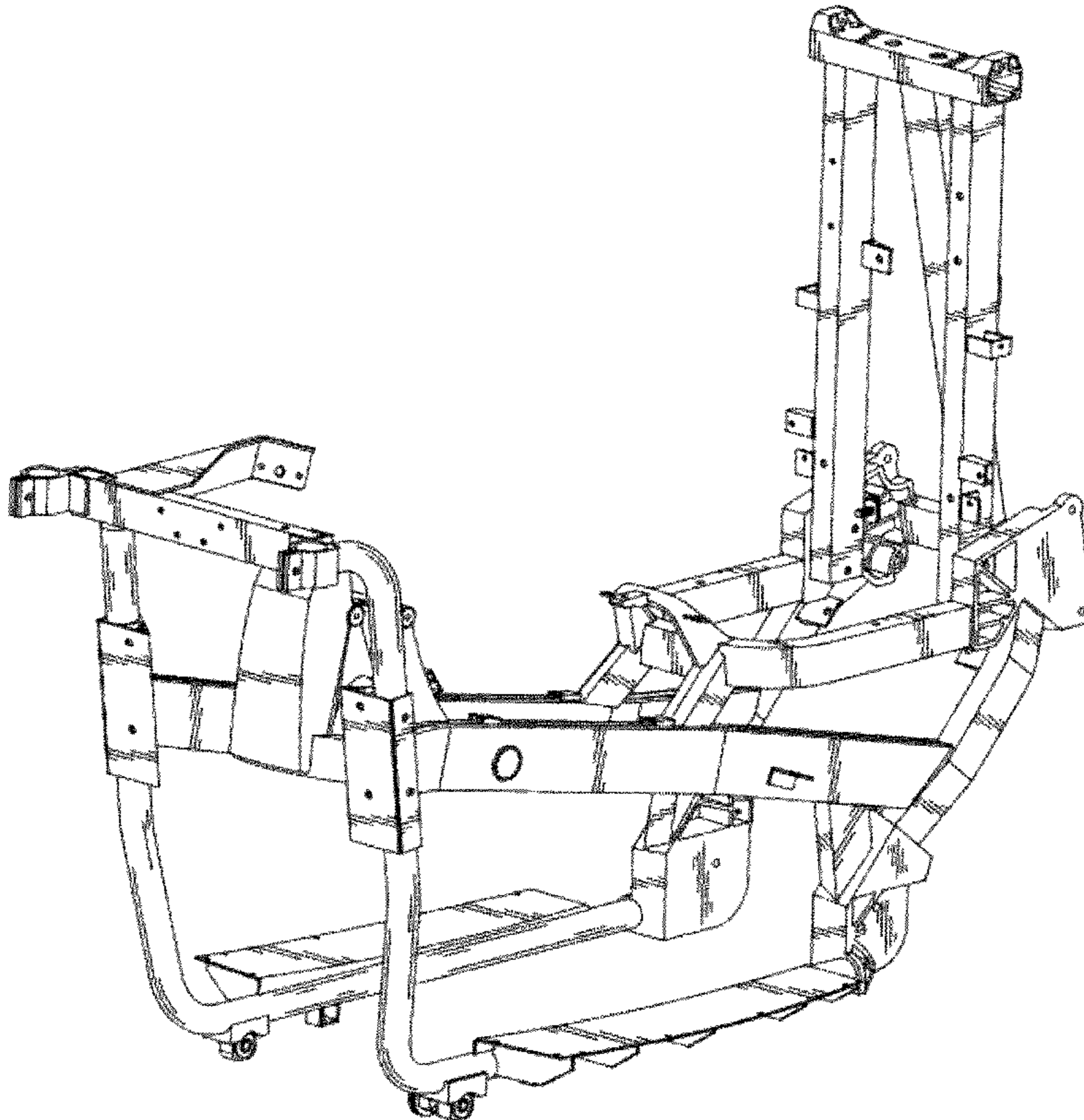
Primary Examiner — Susan M Lee
Assistant Examiner — Linda G. Brooks
(74) *Attorney, Agent, or Firm* — Cheng-Ju Chiang

(57) **CLAIM**
The ornamental design for a frame of electric vehicle, as
shown and described.

DESCRIPTION

FIG. 1 is a top, front and right side perspective view of a frame
of electric vehicle showing our new design;
FIG. 2 is a front elevation view thereof;
FIG. 3 is a rear elevation view thereof;
FIG. 4 is a left side elevation view thereof;
FIG. 5 is a right side elevation view thereof; and,
FIG. 6 is a top side elevation view thereof.
The bottom has no claimed ornamental features.

1 Claim, 6 Drawing Sheets



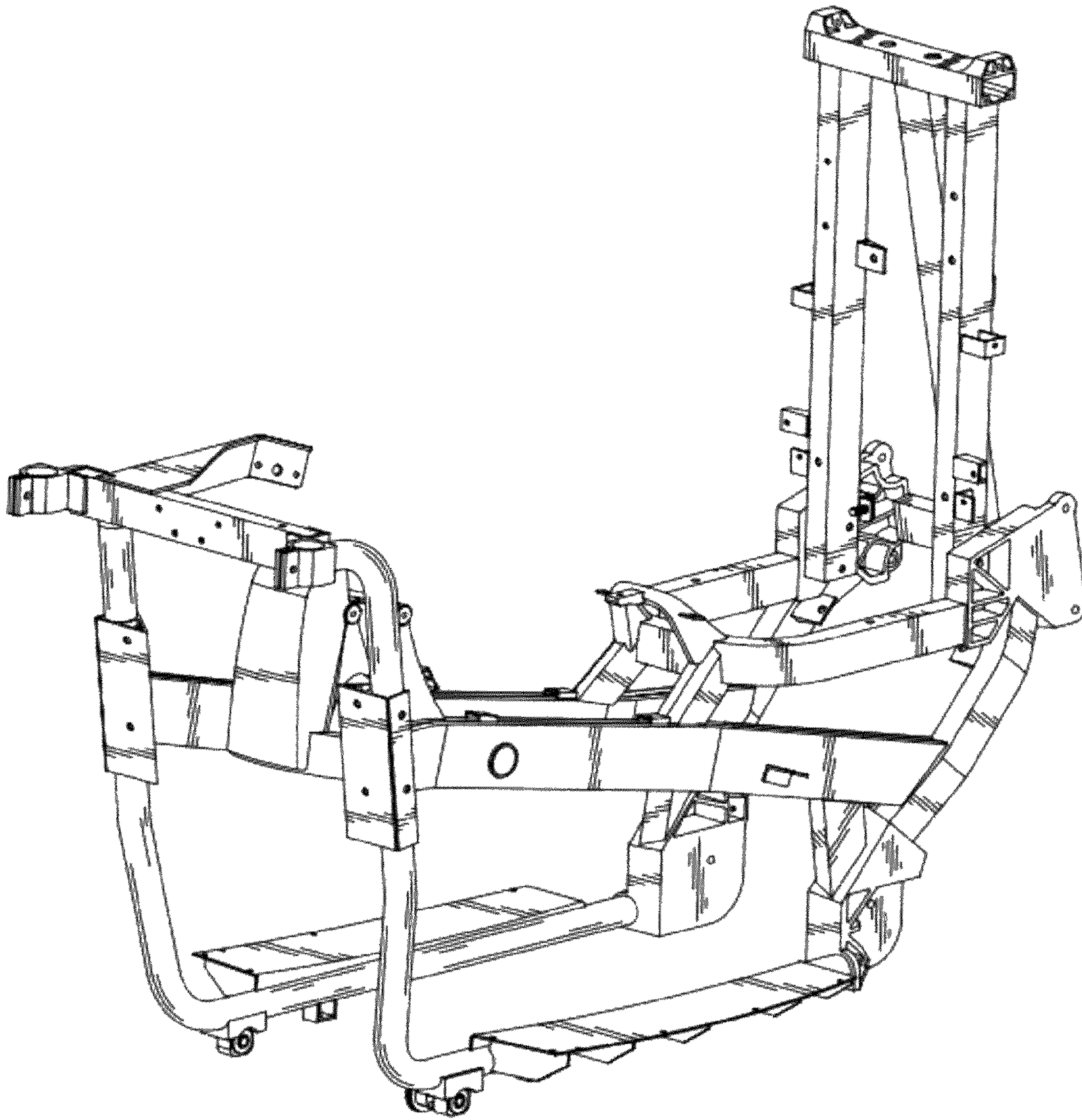


FIG. 1

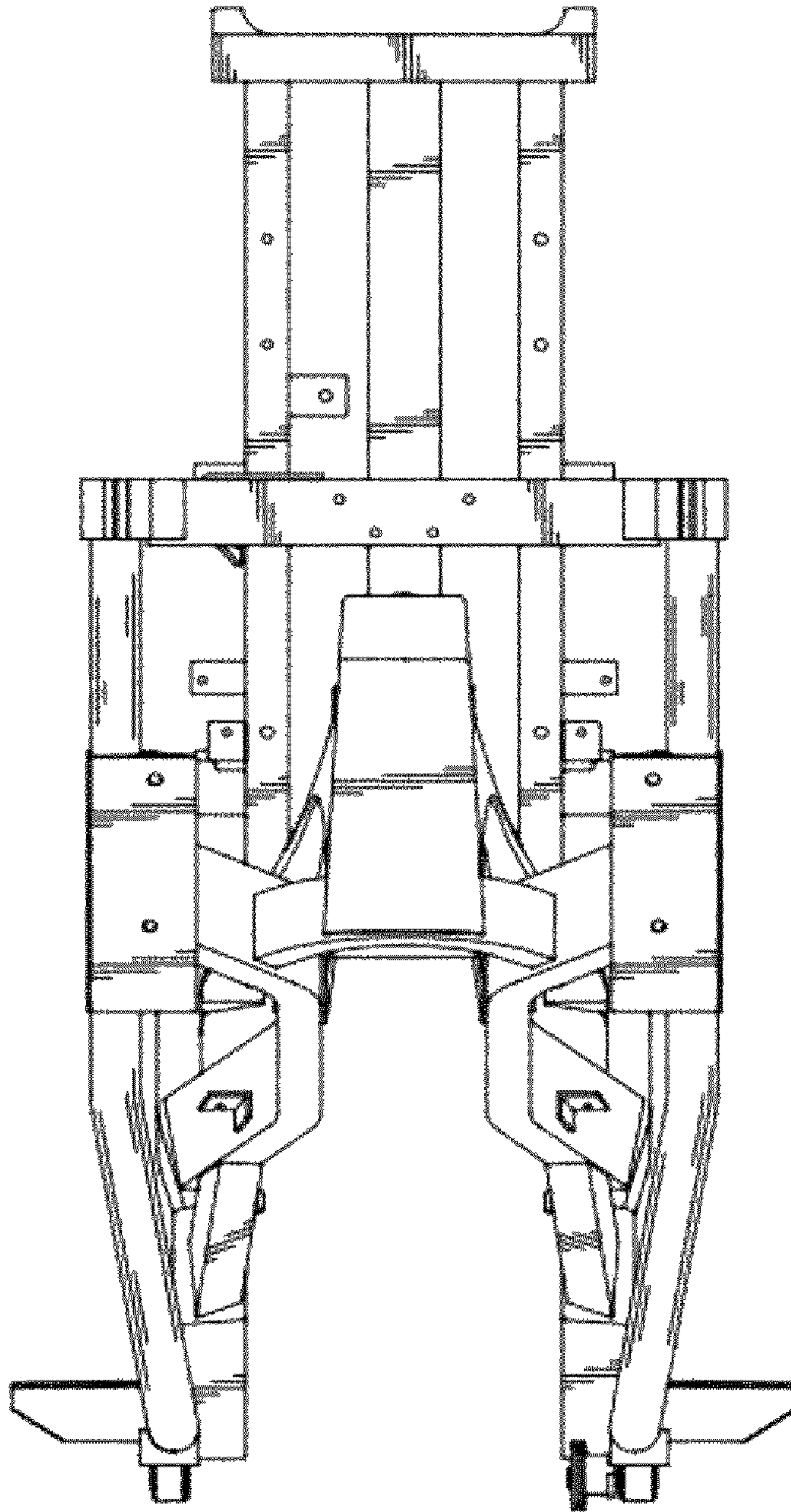


FIG. 2

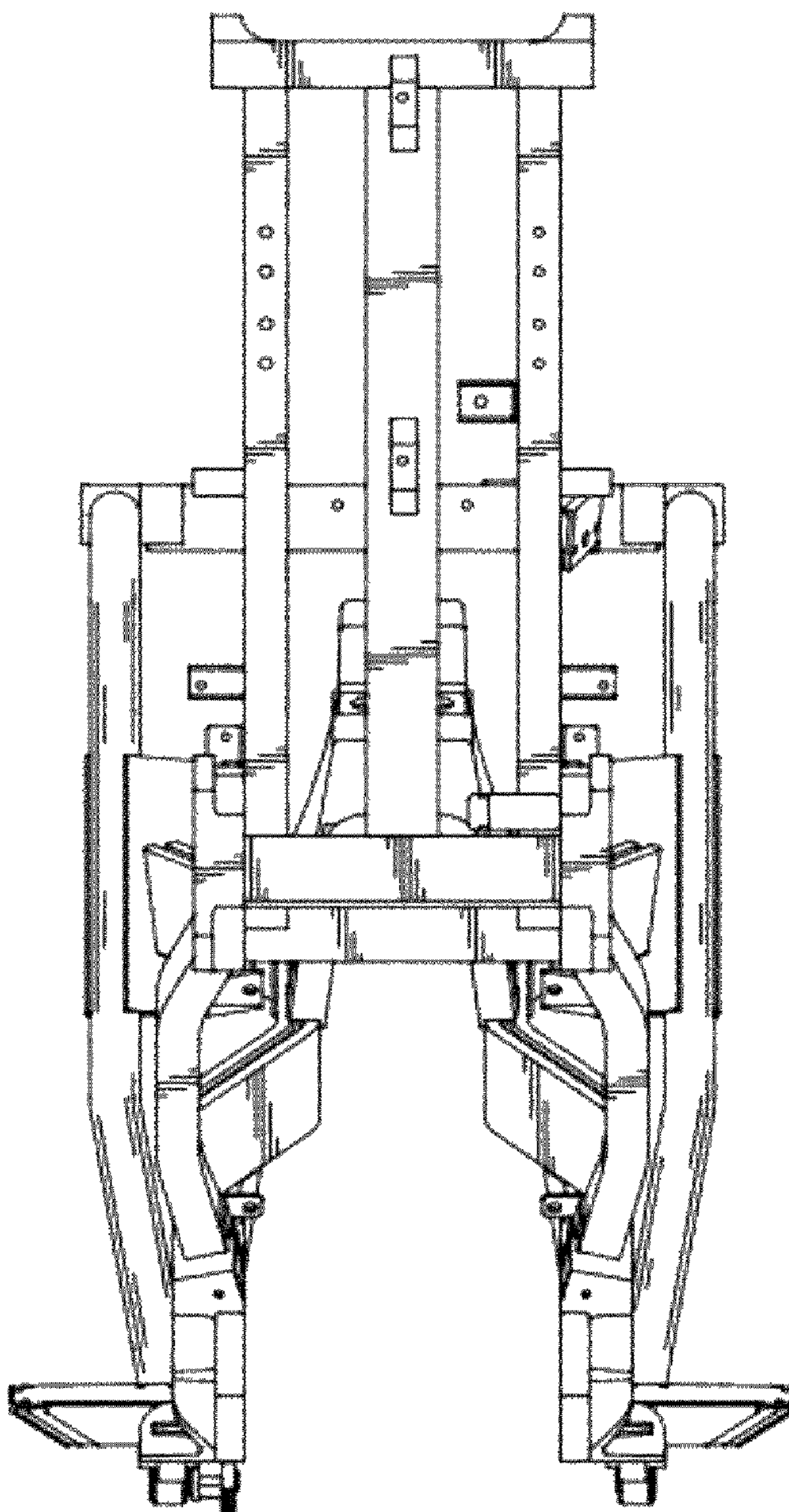


FIG. 3

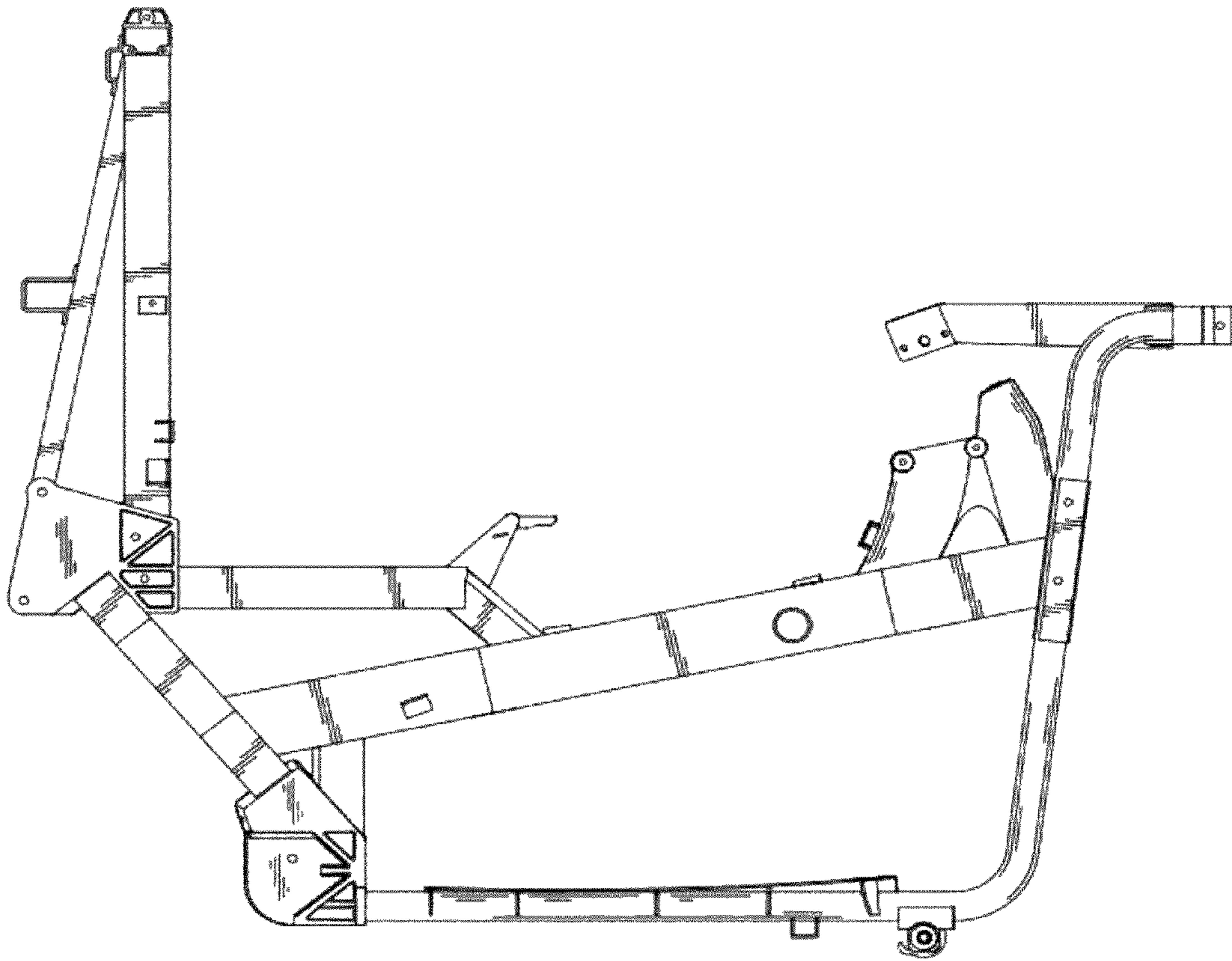


FIG. 4

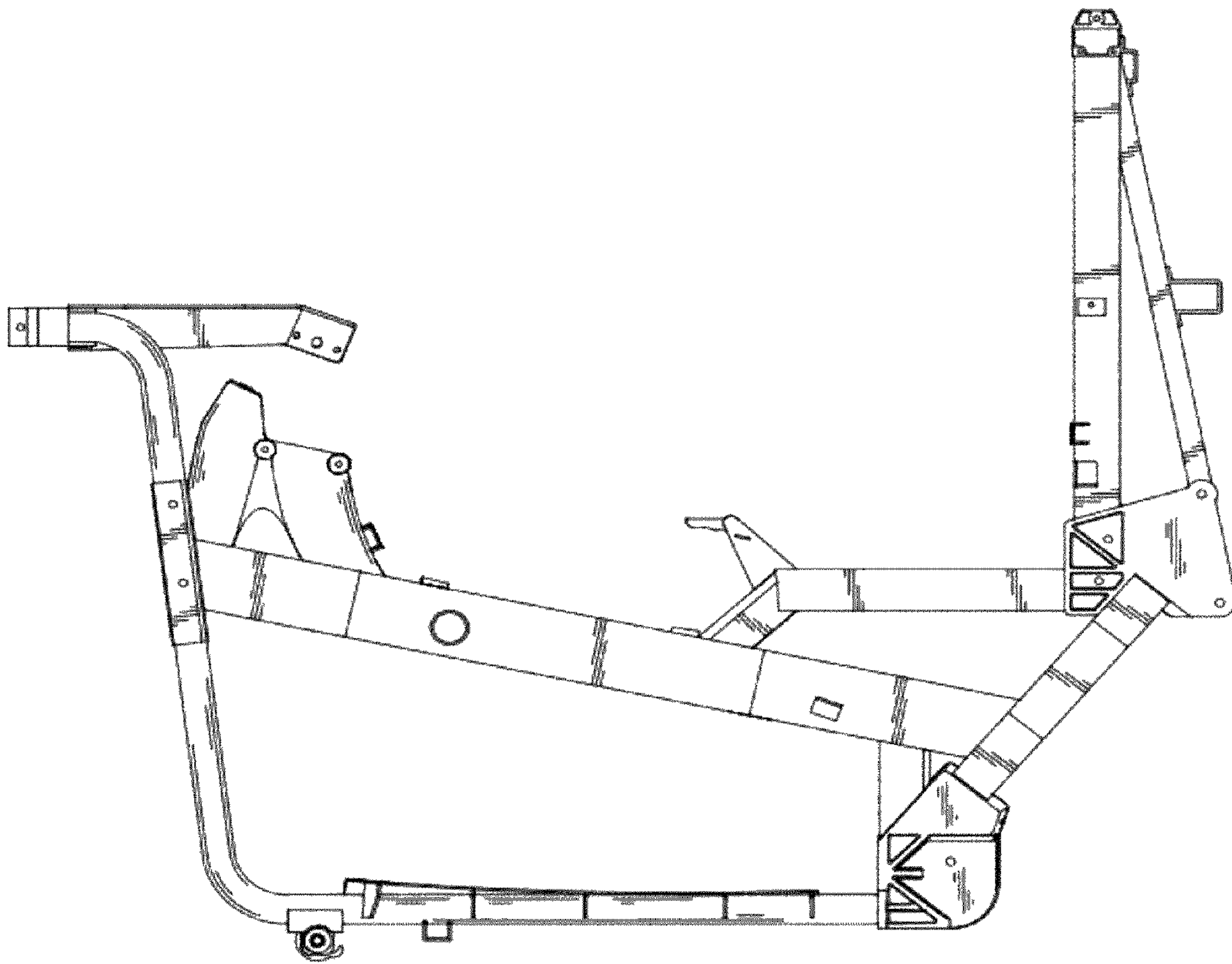


FIG. 5

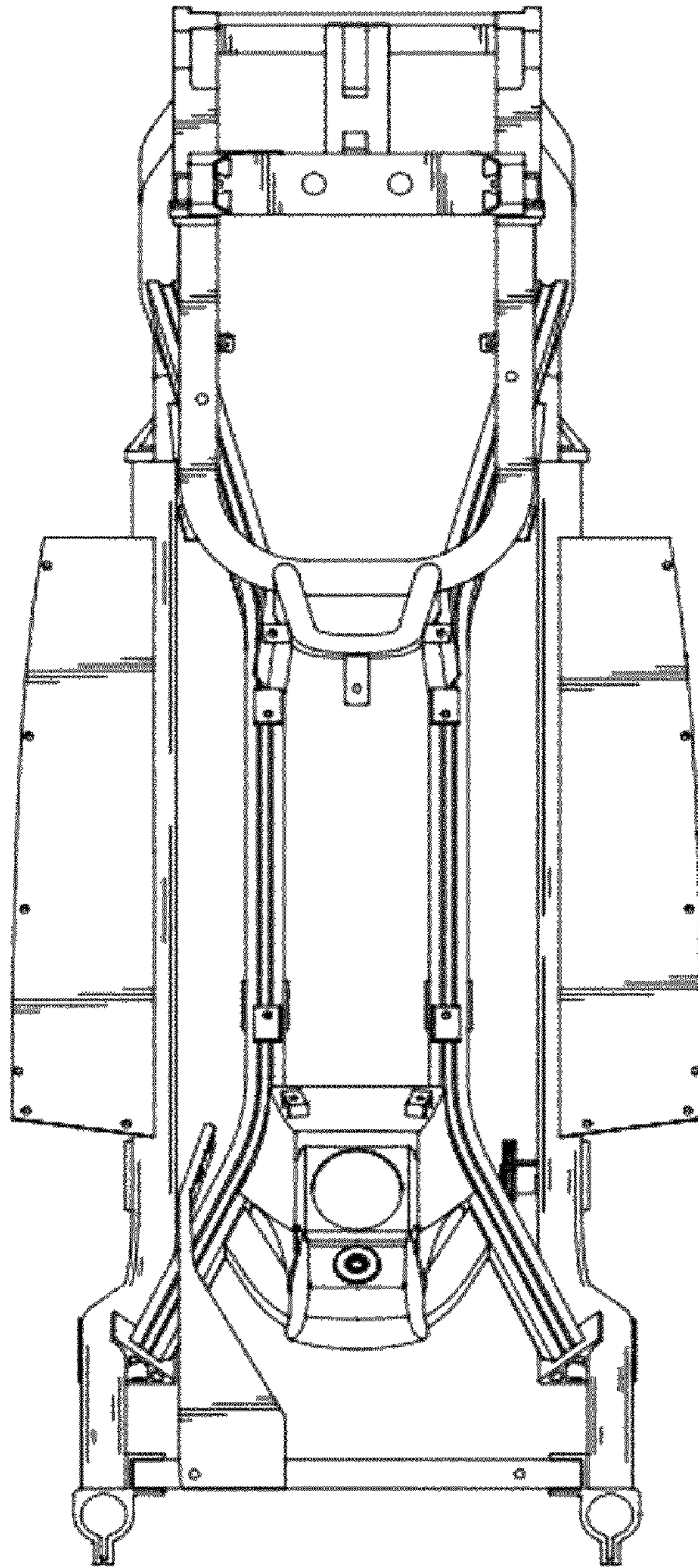


FIG. 6