



US00D659595S

(12) **United States Design Patent**  
**Eliason**

(10) **Patent No.:** **US D659,595 S**

(45) **Date of Patent:** **\*\* May 15, 2012**

(54) **TRAILER MOUNTED WET ABRASIVE  
BLASTING UNIT**

8,082,698 B2 \* 12/2011 Drake ..... 52/79.5  
8,091,942 B2 \* 1/2012 Watts et al. .... 296/61  
D653,588 S \* 2/2012 Heard ..... D12/102

\* cited by examiner

(75) Inventor: **Keith Eliason**, Virginia Beach, VA (US)

*Primary Examiner* — Caron D Veynar

(73) Assignee: **Ecoquip Inc.**, Virginia Beach, VA (US)

*Assistant Examiner* — Katrina A Betton

(\*\*) Term: **14 Years**

(74) *Attorney, Agent, or Firm* — Bernard G. Pike; Pike IP Law, PLLC

(21) Appl. No.: **29/402,317**

(57) **CLAIM**

(22) Filed: **Sep. 22, 2011**

The ornamental design for a trailer mounted wet abrasive blasting unit, as shown and described.

(51) **LOC (9) Cl.** ..... **12-10**

(52) **U.S. Cl.** ..... **D12/102; D15/124**

(58) **Field of Classification Search** ..... D12/100–106,  
D12/19, 129; D21/425, 435; D34/21–26,  
D34/12, 16; 280/204, 205, 63, 475, 482,  
280/647;  
296/168, 180, 180.2, 10, 61, 100.01–100.08;  
D15/124

**DESCRIPTION**

See application file for complete search history.

FIG. 1 is a perspective view of a trailer mounted wet abrasive blasting unit;  
FIG. 2 is a top view of the trailer mounted wet abrasive blasting unit;  
FIG. 3 is a right side view of the trailer mounted wet abrasive blasting unit;  
FIG. 4 is a left side view of the trailer mounted wet abrasive blasting unit;  
FIG. 5 is a front view of the trailer mounted wet abrasive blasting unit; and,  
FIG. 6 is a rear view of the trailer mounted wet abrasive blasting unit.

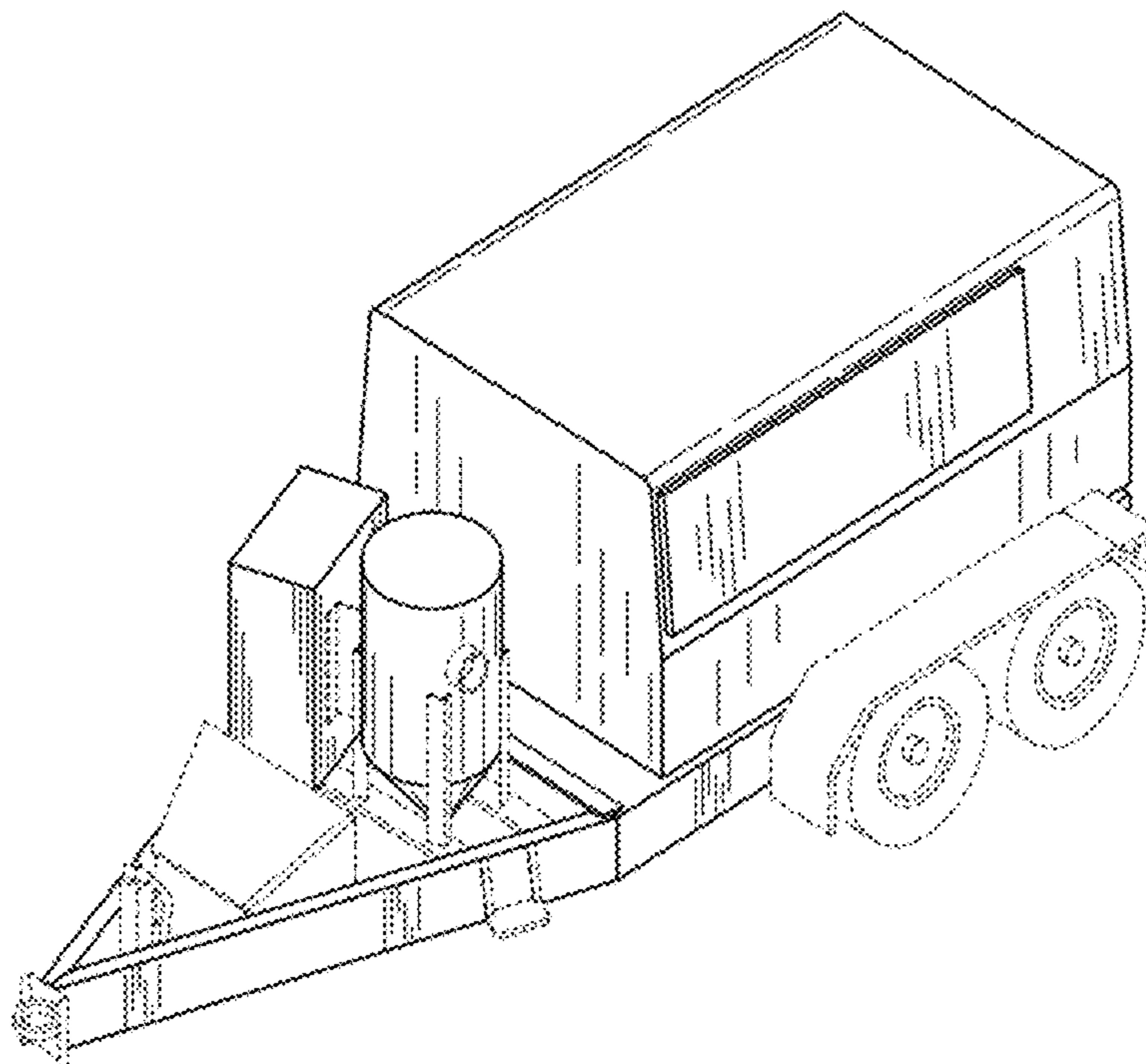
(56) **References Cited**

U.S. PATENT DOCUMENTS

D265,301 S \* 7/1982 Zander ..... D12/102  
D268,178 S \* 3/1983 Reid ..... D12/102  
D272,996 S \* 3/1984 Trabue et al. .... D12/102  
D274,896 S \* 7/1984 Wilson ..... D12/102  
D367,248 S \* 2/1996 Christensen ..... D12/102  
D391,525 S \* 3/1998 Savitski ..... D12/102  
7,681,941 B2 \* 3/2010 Freeman et al. .... 296/168  
7,735,898 B1 \* 6/2010 Bridges ..... 296/100.06  
D625,667 S \* 10/2010 Oviedo ..... D12/102  
7,806,463 B2 \* 10/2010 Oliver et al. .... 296/168

Portions of the figures shown in broken, dashed lines illustrate the environment of the claimed ornamental features of the trailer mounted wet abrasive blasting unit and do not form any part of the ornamental design. Shading is shown in the figures merely to aid in the understanding of the scope of the claim.

**1 Claim, 5 Drawing Sheets**



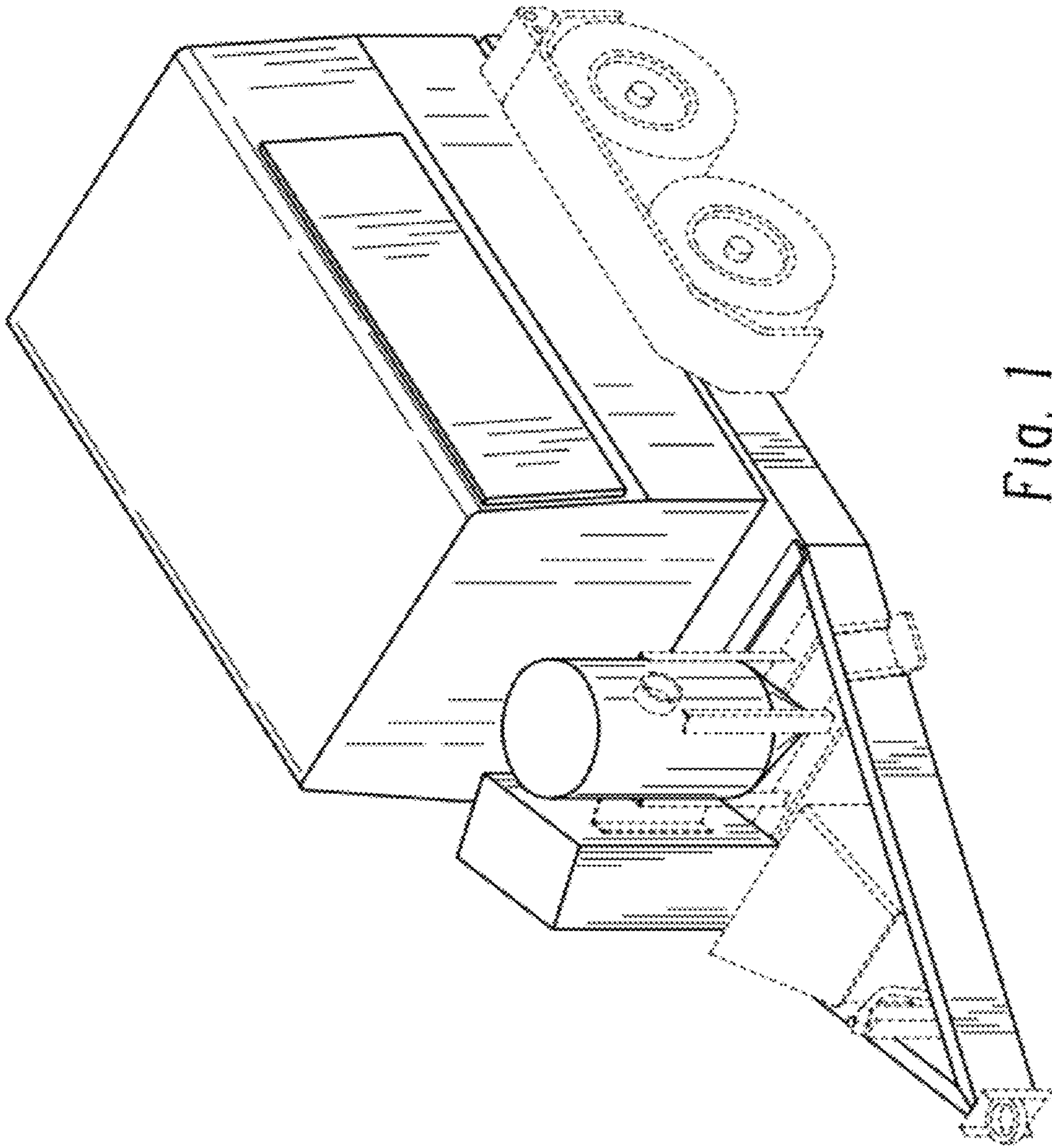


Fig. 1

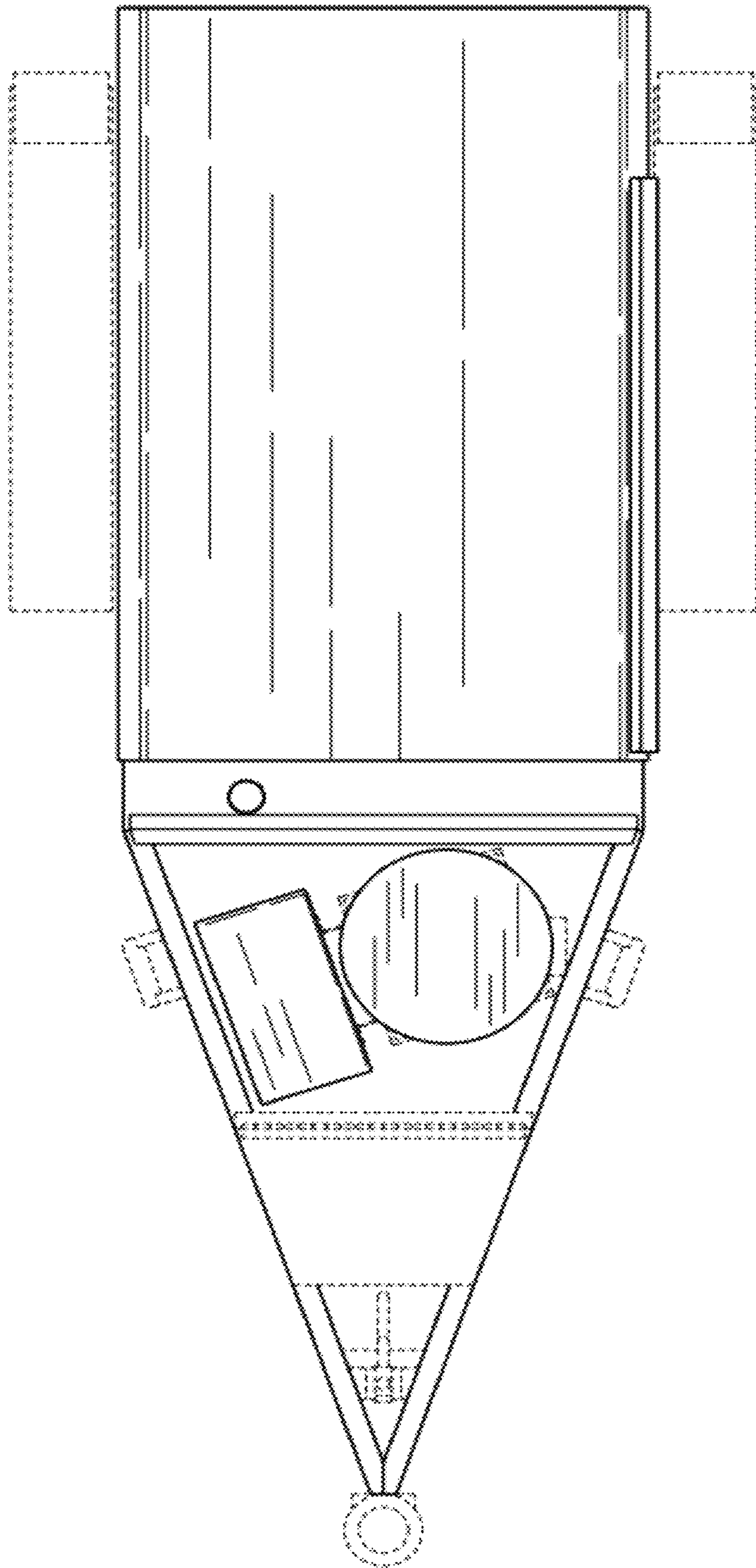


Fig. 2



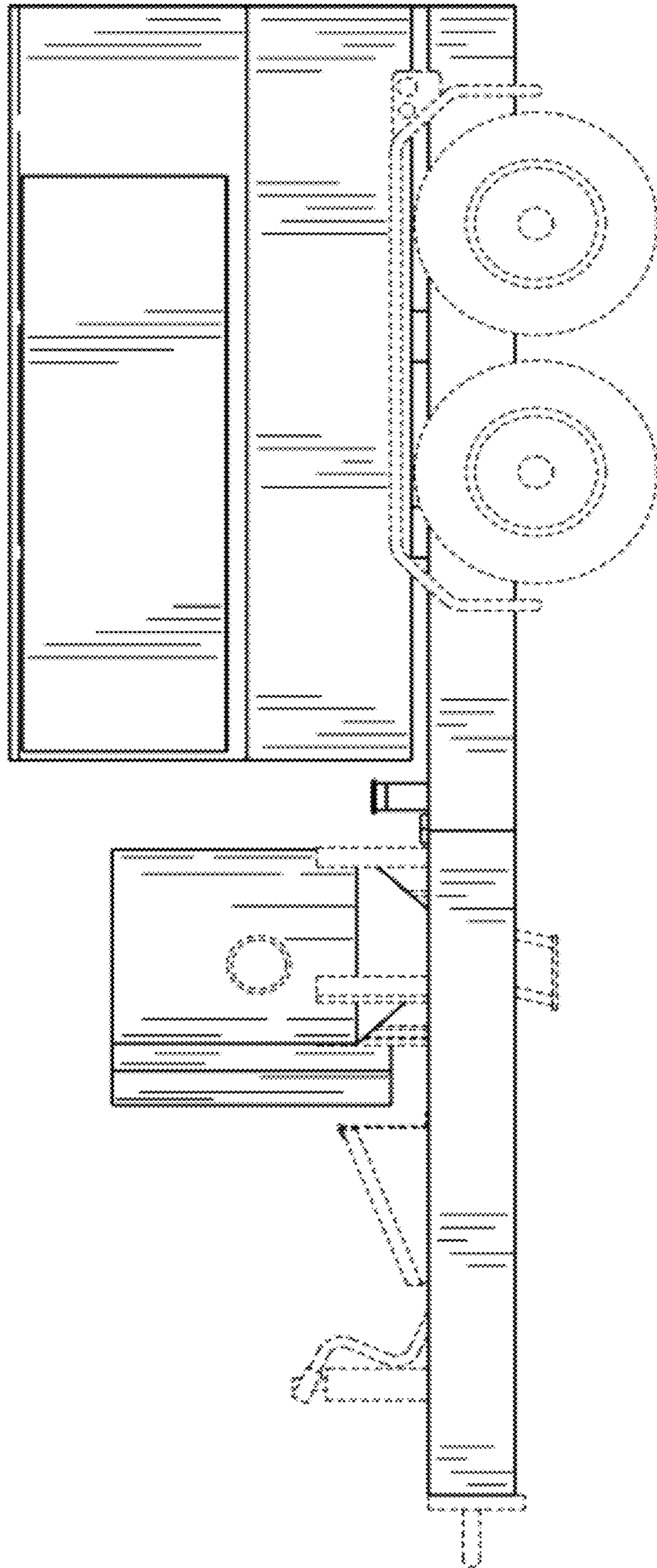


Fig. 3

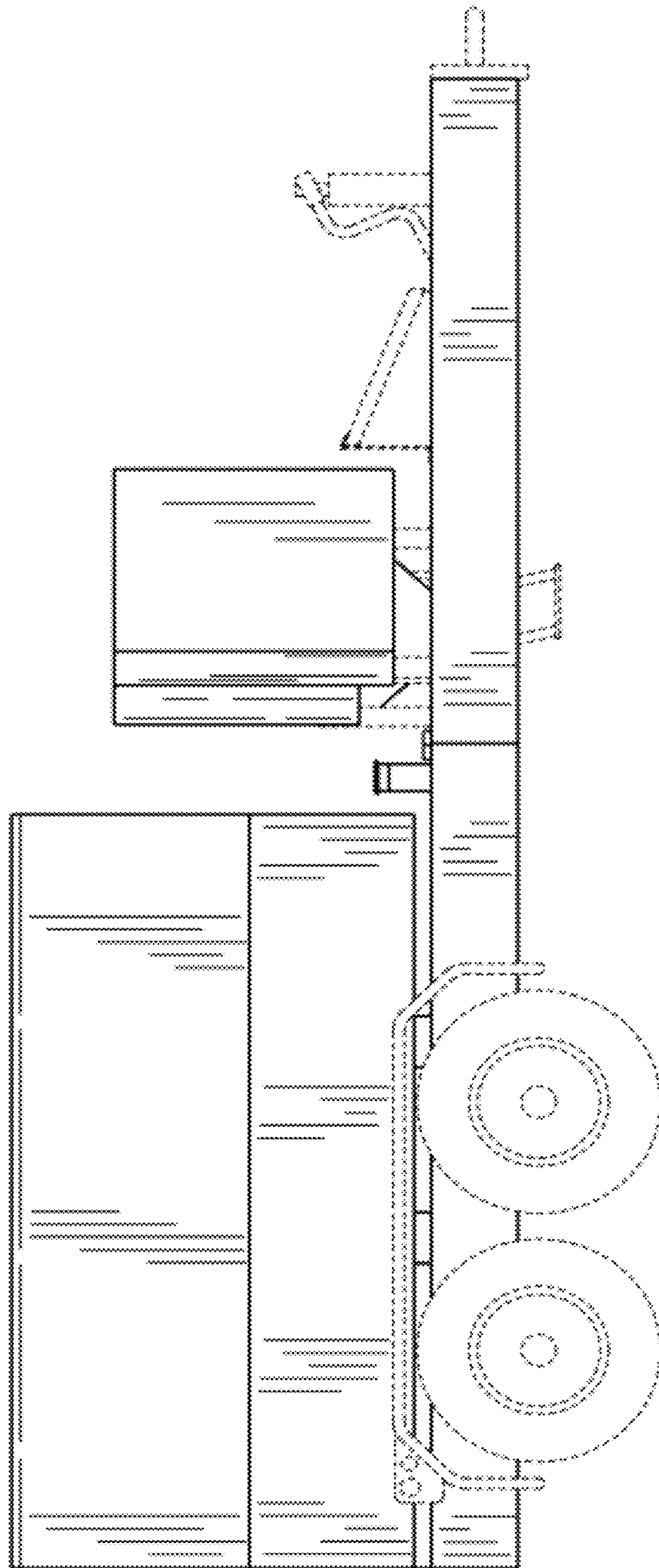


Fig. 4

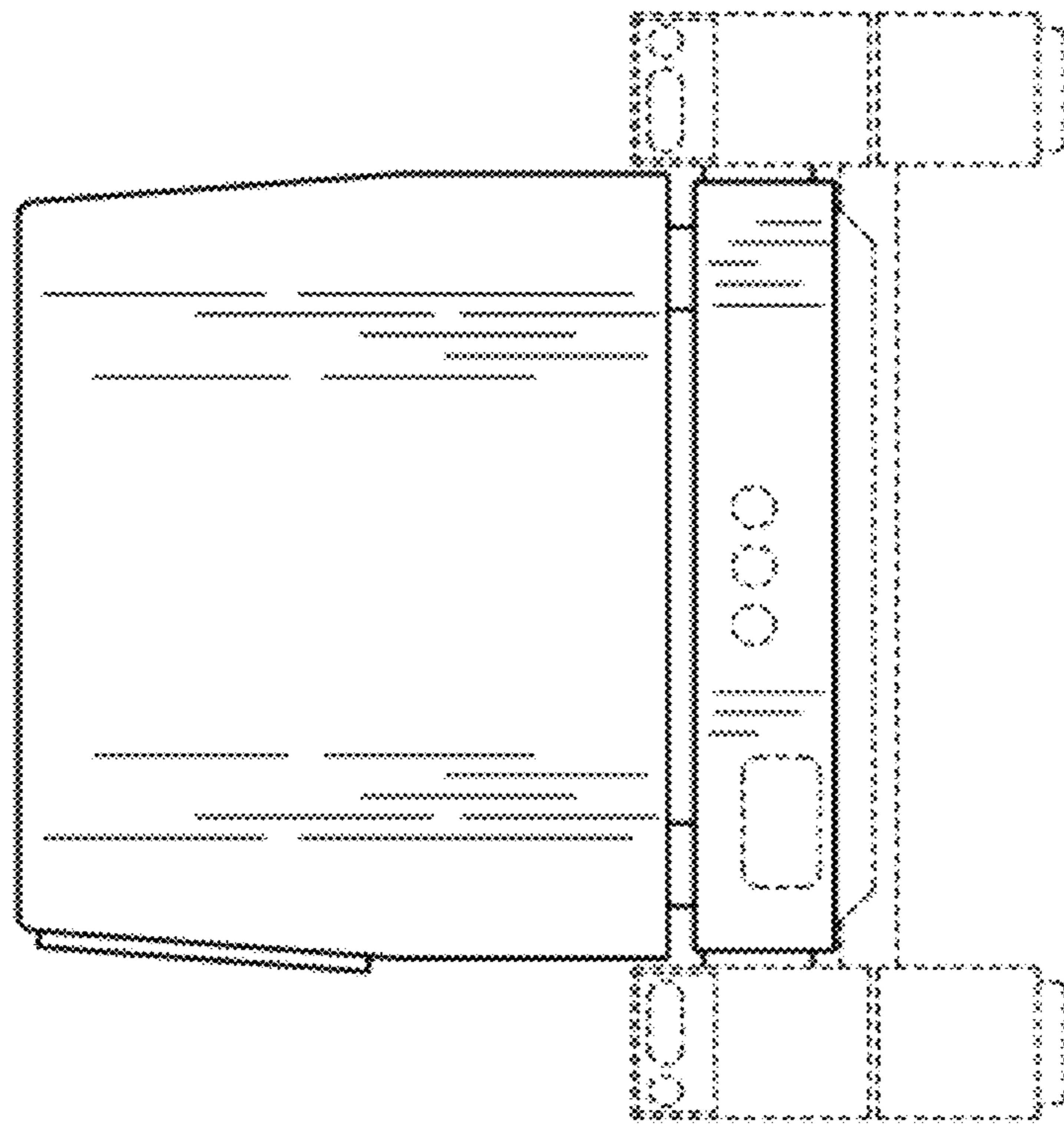


Fig. 6

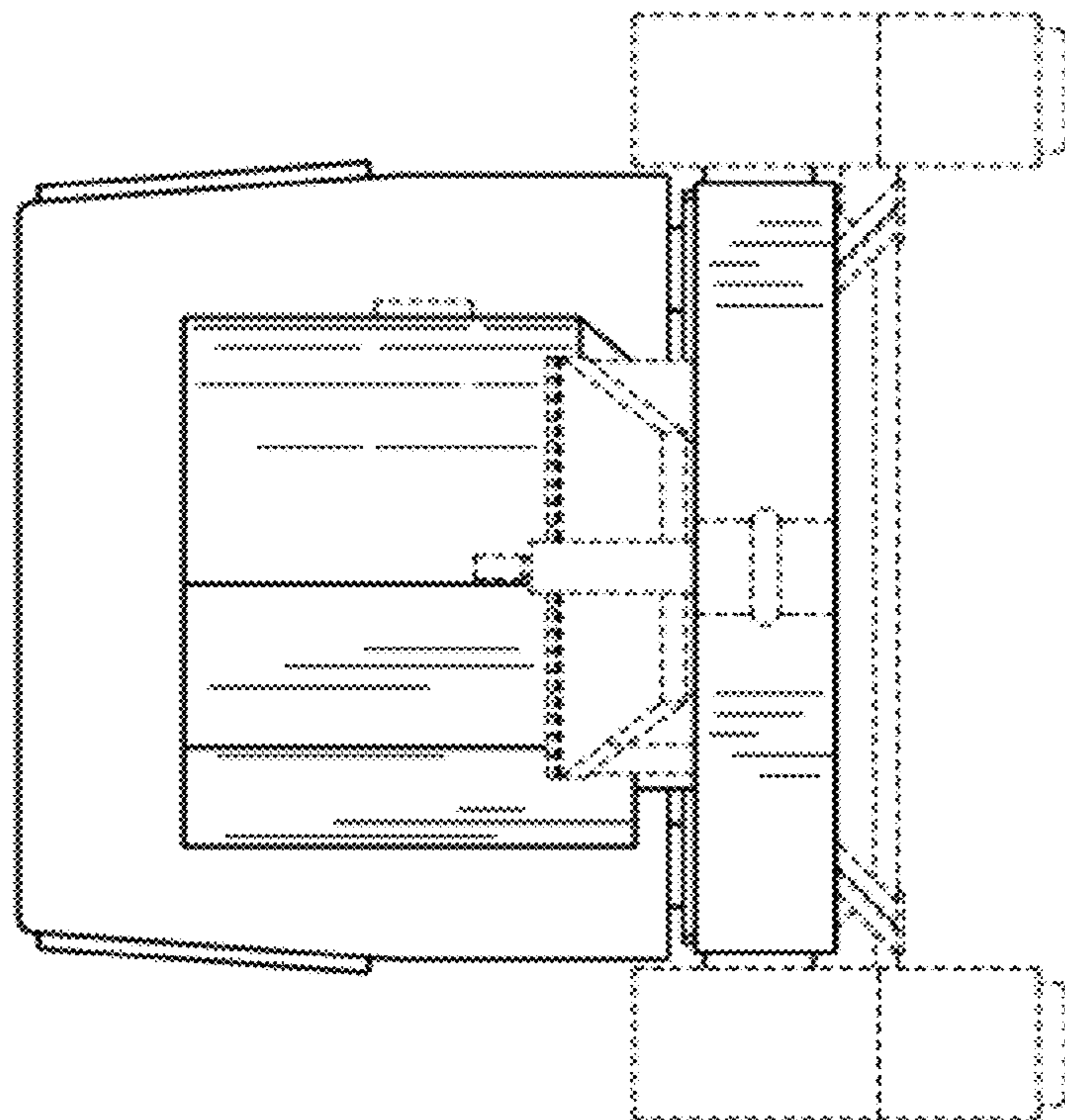


Fig. 5