



US00D659590S

(12) **United States Design Patent**
Dunn

(10) **Patent No.:** **US D659,590 S**

(45) **Date of Patent:** **** May 15, 2012**

(54) **FISH DISPLAY DEVICE FOR A CORD**

(76) Inventor: **Scott E. Dunn**, Atlanta, GA (US)

(**) Term: **14 Years**

(21) Appl. No.: **29/394,592**

(22) Filed: **Jun. 18, 2011**

(51) **LOC (9) Cl.** **11-99**

(52) **U.S. Cl.** **D11/184**

(58) **Field of Classification Search** D11/184;

D8/105, 107, 333, 349, 354, 356, 358, 367,

D8/373, 382, 383, 394-396; D23/261; D26/38;

24/197, 561; 174/153 G; 242/400.1, 405.1,

242/405.2, 600, 916; 248/65, 74.1-74.4,

248/214, 215, 229.26, 201, 302, 204, 316.7,

248/316.8; 439/501; D34/38; 108/57.52

See application file for complete search history.

(56) **References Cited**

U.S. PATENT DOCUMENTS

1,195,276	A	8/1916	Seaman	
1,388,219	A	8/1921	Thompson	
1,832,318	A	11/1931	Myers	
D137,768	S *	4/1944	Lehman	D20/30
3,203,700	A	8/1965	Antonious	
3,576,304	A *	4/1971	Gillemot et al.	248/74.2
3,696,920	A *	10/1972	Lahay	206/370
3,772,809	A	11/1973	Schneller	
4,004,362	A	1/1977	Barbieri	
4,011,673	A	3/1977	Levine	
4,261,121	A	4/1981	Coon	
D275,174	S *	8/1984	Rolli	D8/356
4,539,767	A	9/1985	Jaffe	
D285,044	S *	8/1986	Mockett	D8/354
D289,138	S *	4/1987	Nead	D8/356
4,656,767	A	4/1987	Tarrant	
D289,732	S *	5/1987	Jason	D8/356
D293,766	S *	1/1988	Lamb	D8/356
4,856,214	A	8/1989	Machen	
D308,011	S *	5/1990	Norris	D8/356
D325,400	S	4/1992	Wolff	

D358,615	S	5/1995	Cline	
D388,833	S	1/1998	Wilson	
D390,066	S *	2/1998	Watkins et al.	D7/633
D401,883	S *	12/1998	Madhvani	D11/81
5,933,995	A	8/1999	Gorbach	
5,971,436	A	10/1999	Cox	
5,979,028	A	11/1999	Hicks et al.	
D421,773	S	3/2000	Yashar	
D436,518	S *	1/2001	Matsubara	D8/356
D448,276	S *	9/2001	Kelleghan	D8/356
6,301,756	B1	10/2001	Howard	
6,332,247	B1	12/2001	Hsich	

(Continued)

FOREIGN PATENT DOCUMENTS

WO 2010132567 A1 11/2010

OTHER PUBLICATIONS

<http://www.thecablelabelco.co.uk/buy.php> (Buy Cable Bug Labels In Bags) (First access Nov. 26, 2010).

(Continued)

Primary Examiner — T. Chase Nelson

Assistant Examiner — Michelle E Wilson

(74) *Attorney, Agent, or Firm* — Ballard Spahr LLP

(57) **CLAIM**

The ornamental design for a fish display device for a cord, as shown and described.

DESCRIPTION

FIG. 1 is a perspective view of a fish display device for a cord of the present invention;

FIG. 2 is a front elevational view thereof;

FIG. 3 is a rear elevational view thereof;

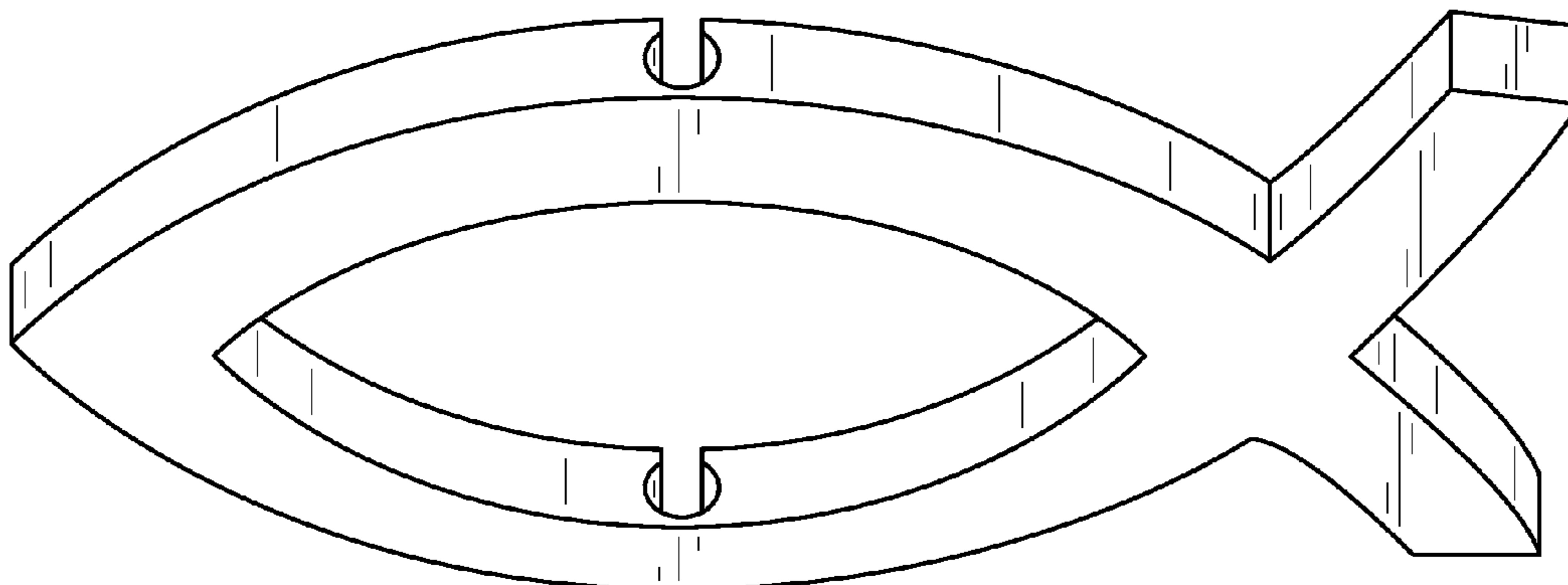
FIG. 4 is a left side elevational view thereof;

FIG. 5 is a right side elevational view thereof;

FIG. 6 is a top plan view thereof; and,

FIG. 7 is a bottom plan view thereof.

1 Claim, 5 Drawing Sheets



US D659,590 S

Page 2

U.S. PATENT DOCUMENTS

D454,244 S * 3/2002 Scheff D99/34
D455,145 S * 4/2002 Williams D14/232
D456,016 S * 4/2002 Denson D14/232
D456,389 S * 4/2002 Denson D14/232
D456,692 S * 5/2002 Epstein D8/356
6,392,147 B1 * 5/2002 Hier et al. 174/70 C
D459,194 S 6/2002 Johansson et al.
6,430,782 B1 8/2002 Torres et al.
D465,993 S * 11/2002 Kelleghan D8/356
6,634,528 B2 10/2003 Hurtgam
6,651,362 B2 11/2003 Cavency
D490,692 S * 6/2004 Williams D8/356
D507,508 S * 7/2005 Brownell D11/184
7,073,282 B2 7/2006 Savagian et al.
D542,123 S * 5/2007 Symons D8/356
D548,057 S * 8/2007 Kelleghan D8/356
D568,723 S * 5/2008 Morgan D8/356
D587,162 S * 2/2009 Baker D11/131
D587,163 S * 2/2009 Baker D11/131
D587,164 S * 2/2009 Baker D11/131
D587,623 S * 3/2009 Baker D11/131
D587,624 S * 3/2009 Baker D11/131

D589,328 S * 3/2009 Edge D8/356
7,509,765 B2 3/2009 Flores
D599,246 S * 9/2009 Rudes D11/100
D626,880 S * 11/2010 Castaline et al. D11/82
D629,286 S * 12/2010 Laskowski D8/356
D629,671 S * 12/2010 Oho et al. D8/356
D644,501 S * 9/2011 Chen D8/356
2008/0285785 A1 11/2008 Zieg et al.

OTHER PUBLICATIONS

[http:// www.fibernetworktools.com/catalog2.php](http://www.fibernetworktools.com/catalog2.php) (FNT Cables and Assemblies)(First access Nov. 26, 2010).
<http://www.nelcoproducts.com> (NELCO Blank Flag Tie Markets)(First access Nov. 26, 2010).
<http://stickngo.com.au> (Stick'nGo Cables Label)(First access Nov. 26, 2010).
http://www.the_storagestore.com (Computer Cable Flags)(First access Nov. 26, 2010).
<http://www.sunlec.com.au> (Sunlec International Cable Sleeves)(First access Nov. 26, 2010).

* cited by examiner

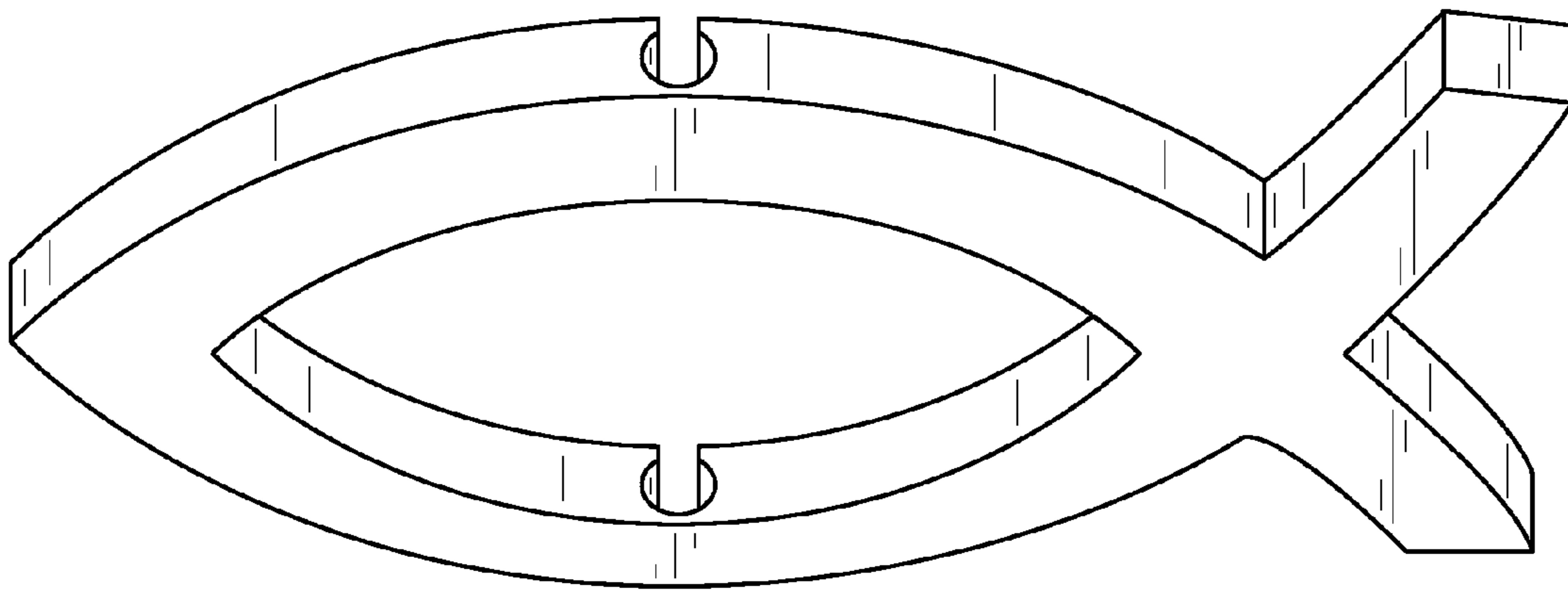


FIG. 1

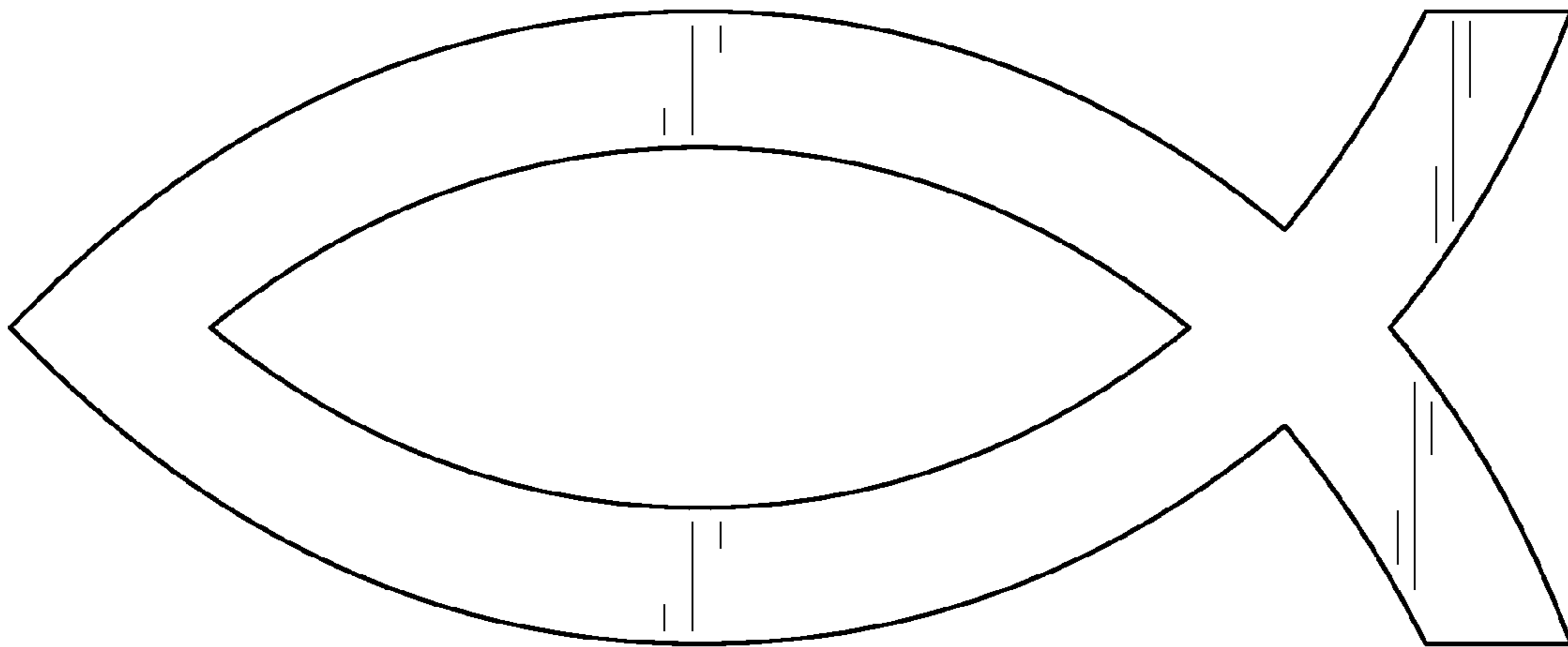


FIG. 2

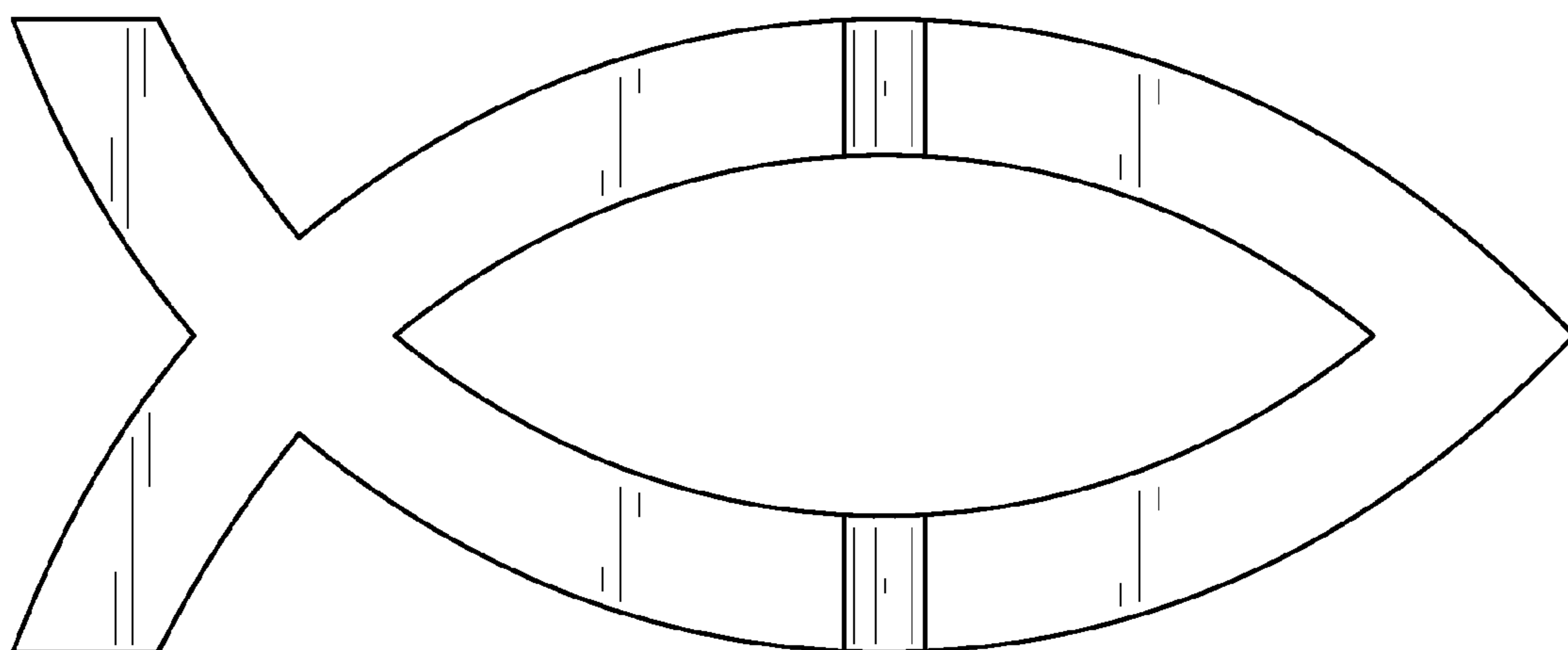


FIG. 3

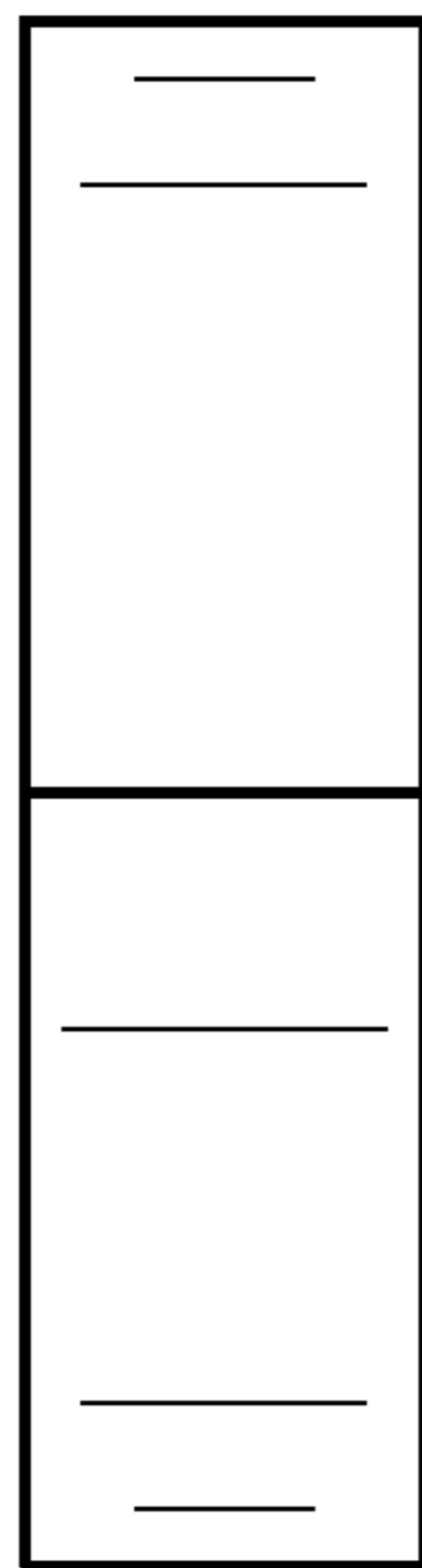


FIG. 4

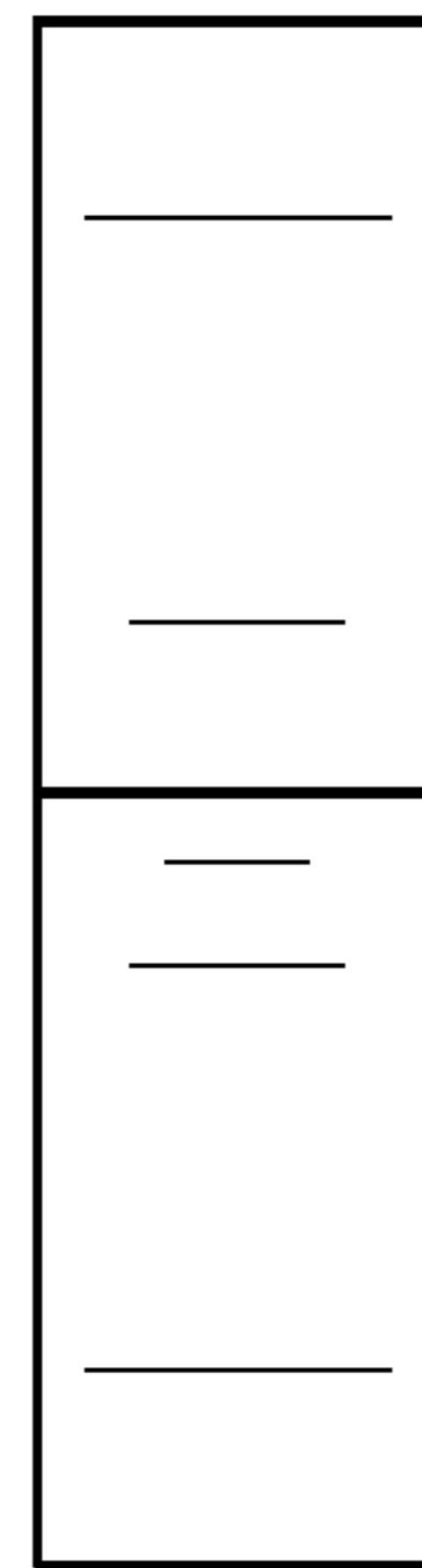


FIG. 5

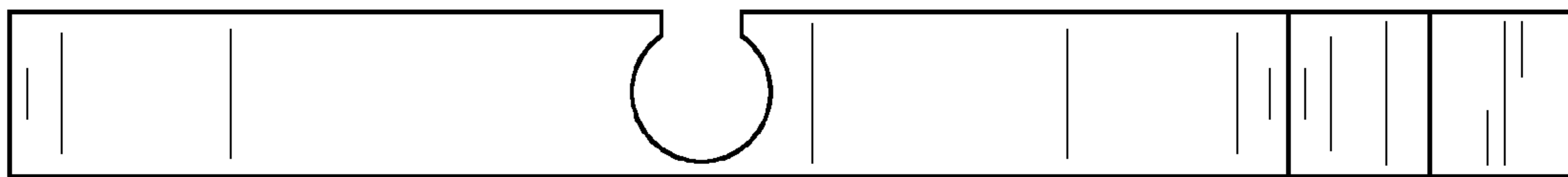


FIG. 6

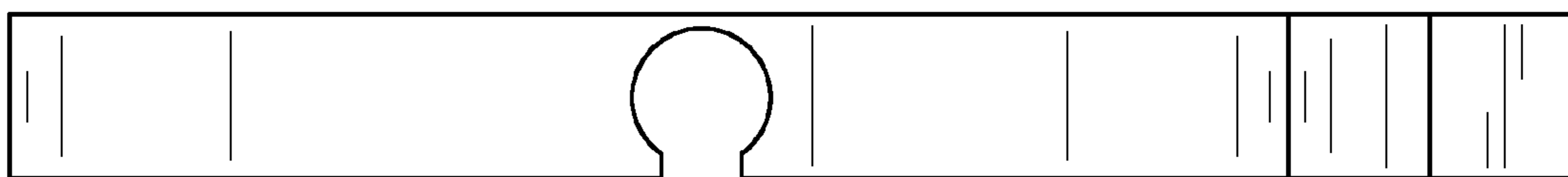


FIG. 7