



US00D659587S

(12) **United States Design Patent**  
**Willsie**

(10) **Patent No.:** **US D659,587 S**

(45) **Date of Patent:** **\*\* May 15, 2012**

(54) **PORTABLE FROST COVER FOR OUTDOOR PLANTS**

(76) Inventor: **Douglas H. Willsie**, Thedford (CA)

(\*\*) Term: **14 Years**

(21) Appl. No.: **29/407,698**

(22) Filed: **Dec. 1, 2011**

(51) **LOC (9) Cl.** ..... **11-02**

(52) **U.S. Cl.** ..... **D11/164; D11/145**

(58) **Field of Classification Search** ..... D6/403-405,  
D6/556-558; D8/1; D11/143-156, 164;  
D25/1; D26/9-11, 16, 19; D34/1, 2, 4-6;  
D99/5, 19; 47/17, 32.4, 32.5, 33, 39, 41.01,  
47/41.1, 41.11-41.15, 44-47, 65, 65.5, 65.9,  
47/66.1, 66.2, 66.6, 66.7, 67-71

See application file for complete search history.

(56) **References Cited**

**U.S. PATENT DOCUMENTS**

2,526,313	A *	10/1950	Zaroban	.....	47/17
D165,256	S *	11/1951	Yellin	.....	D11/145
3,088,244	A	5/1963	Commisso		
3,282,327	A *	11/1966	Hardy et al.	.....	D11/145
D312,951	S	12/1990	Forrest		
5,179,798	A	1/1993	Sonagere		
D356,403	S *	3/1995	Pritchard et al.	.....	D11/145

D359,929	S *	7/1995	Thornhill	.....	D11/143
6,038,810	A	3/2000	Kocsis, Jr.		
D624,330	S *	9/2010	Wing	.....	D6/405
2004/0049976	A1	3/2004	Maffei		
2006/0112621	A1	6/2006	White		

**OTHER PUBLICATIONS**

WWW.GARDENHARVESTSUPPLY.COM; Haxnicks Easy Tunnel Row Cover; Internet; as of Aug. 16, 2011.

\* cited by examiner

*Primary Examiner* — Garth Rademaker

(57) **CLAIM**

The ornamental design for a portable frost cover for outdoor plants, as shown and described.

**DESCRIPTION**

FIG. 1 is a perspective view of a portable frost cover for outdoor plants showing my new design wherein the cover is transparent;

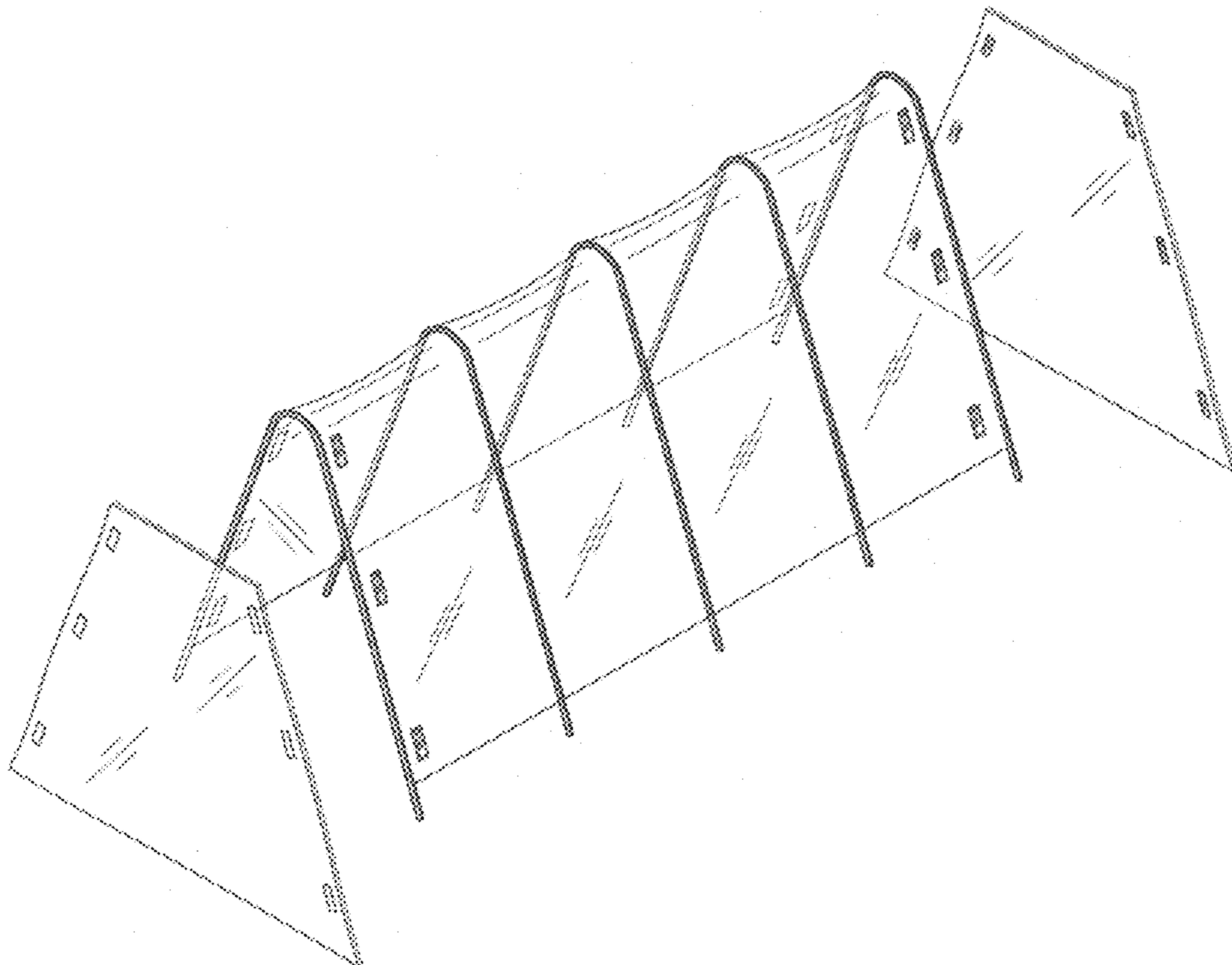
FIG. 2 is a side view thereof, the opposite side view being a mirror image thereof;

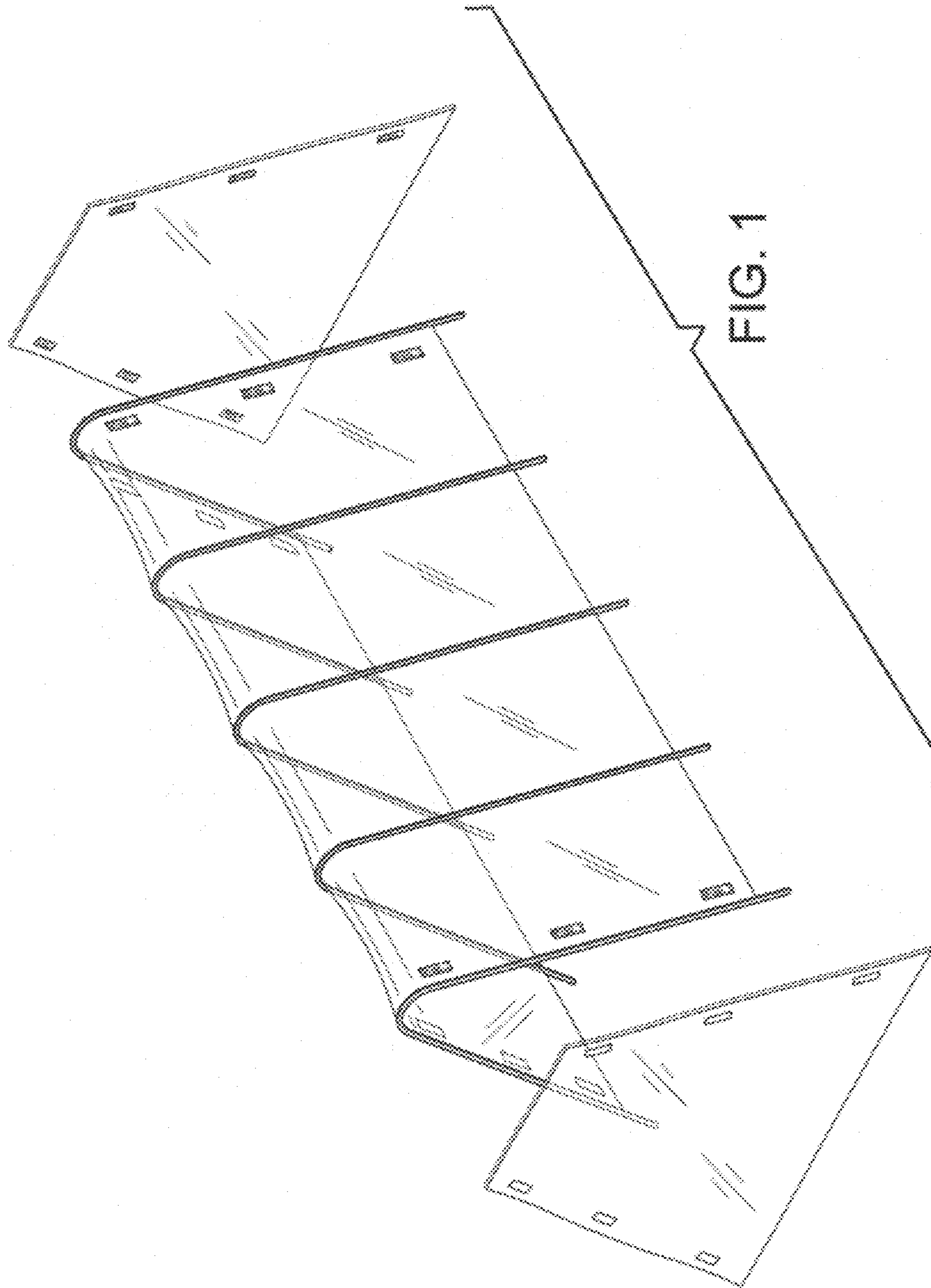
FIG. 3 is a front view, the back view thereof being a mirror image thereof;

FIG. 4 is a top view thereof; and,

FIG. 5 is a bottom view thereof.

**1 Claim, 5 Drawing Sheets**





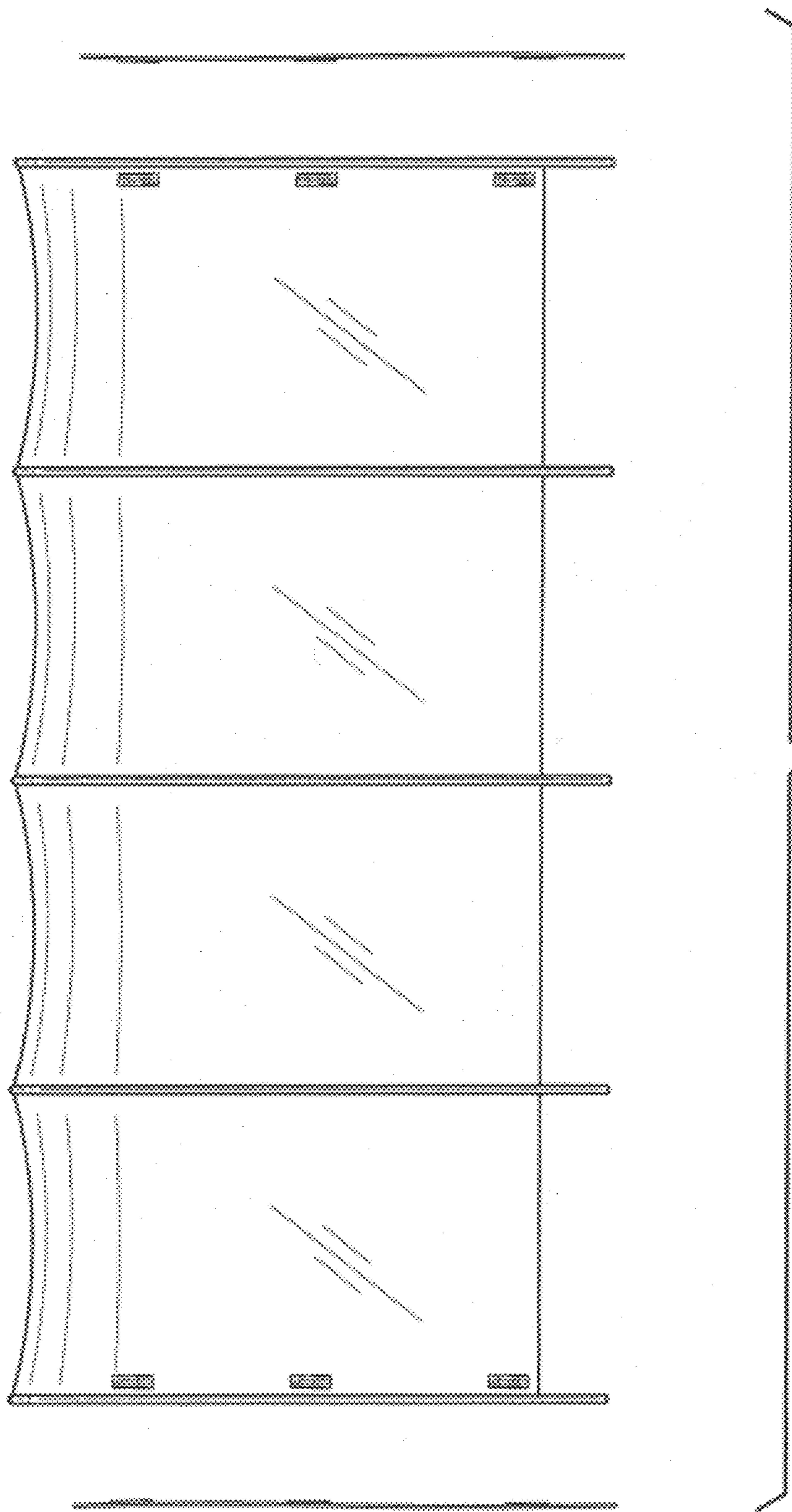


FIG. 2

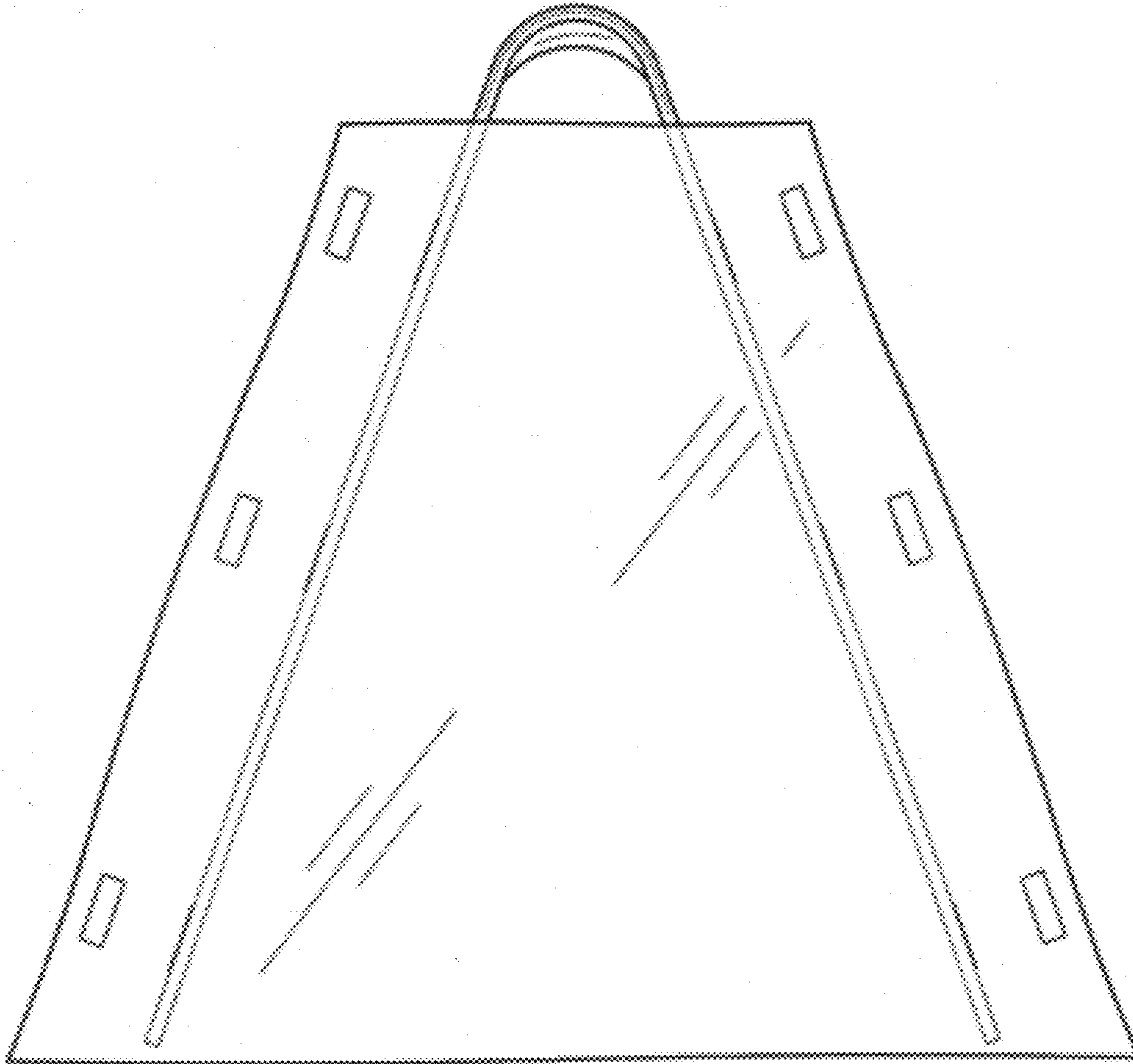


FIG. 3



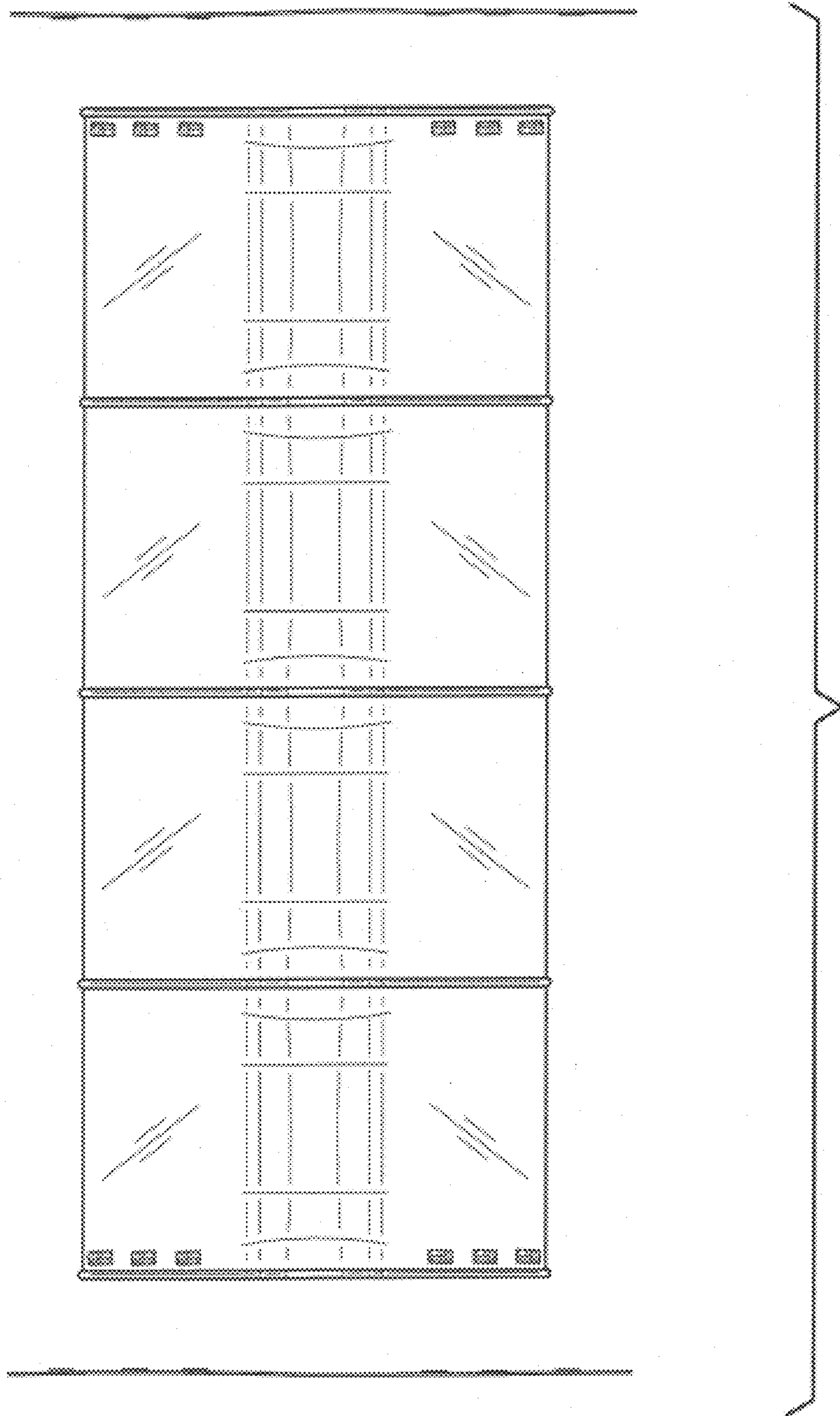


FIG. 4

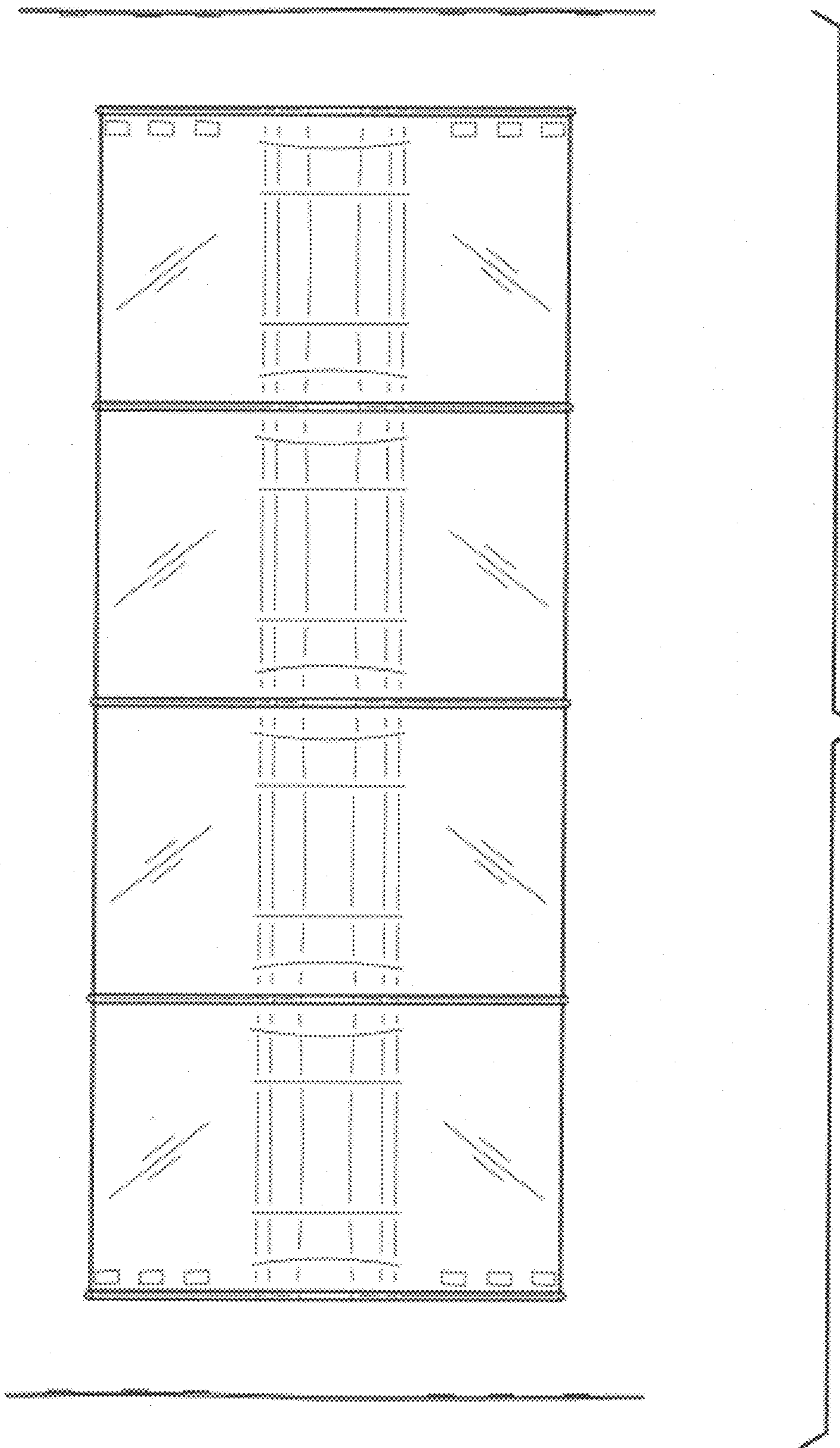


FIG. 5