



US00D659582S

(12) **United States Design Patent**  
**Veit**

(10) **Patent No.:** **US D659,582 S**

(45) **Date of Patent:** **\*\* May 15, 2012**

(54) **RING**

(76) Inventor: **Jorg Veit**, Pforzheim (DE)

(\*\*) Term: **14 Years**

(21) Appl. No.: **29/404,231**

(22) Filed: **Oct. 18, 2011**

(30) **Foreign Application Priority Data**

Aug. 9, 2011 (WO) ..... DM/076562

(51) **LOC (9) Cl.** ..... **11-01**

(52) **U.S. Cl.** ..... **D11/34**

(58) **Field of Classification Search** ..... D11/3,  
D11/26-39; 63/3, 3.1, 3.2, 15, 15.1-15.4,  
63/15.45, 15.5, 15.6, 15.65, 15.7, 26-28  
See application file for complete search history.

(56) **References Cited**

**U.S. PATENT DOCUMENTS**

D309,276 S *	7/1990	Mejias	.....	D11/26
D376,557 S *	12/1996	Mottl	.....	D11/37
D377,769 S *	2/1997	Roemer	.....	D11/26
6,212,908 B1 *	4/2001	Melas	.....	63/15
D450,009 S *	11/2001	Molfese	.....	D11/26
D451,045 S *	11/2001	Ambar	.....	D11/26
D453,486 S *	2/2002	Zillig	.....	D11/38
D458,558 S *	6/2002	Tschetter	.....	D11/26

D460,926 S *	7/2002	Zillig	.....	D11/26
D541,693 S *	5/2007	Skuzza et al.	.....	D11/39
D542,690 S *	5/2007	Miller et al.	.....	D11/26
D632,992 S *	2/2011	Kapoor	.....	D11/39

\* cited by examiner

*Primary Examiner* — Cathron Brooks

*Assistant Examiner* — Melanie Pellegrini

(74) *Attorney, Agent, or Firm* — Cantor Colburn LLP

(57) **CLAIM**

I claim, the ornamental design for a ring, as shown and described.

**DESCRIPTION**

FIG. 1 is a front perspective view of a ring, showing my new design;

FIG. 2 is a bottom plan view thereof;

FIG. 3 is a top plan view thereof;

FIG. 4 is a side elevation view thereof taken from the right of FIG. 3;

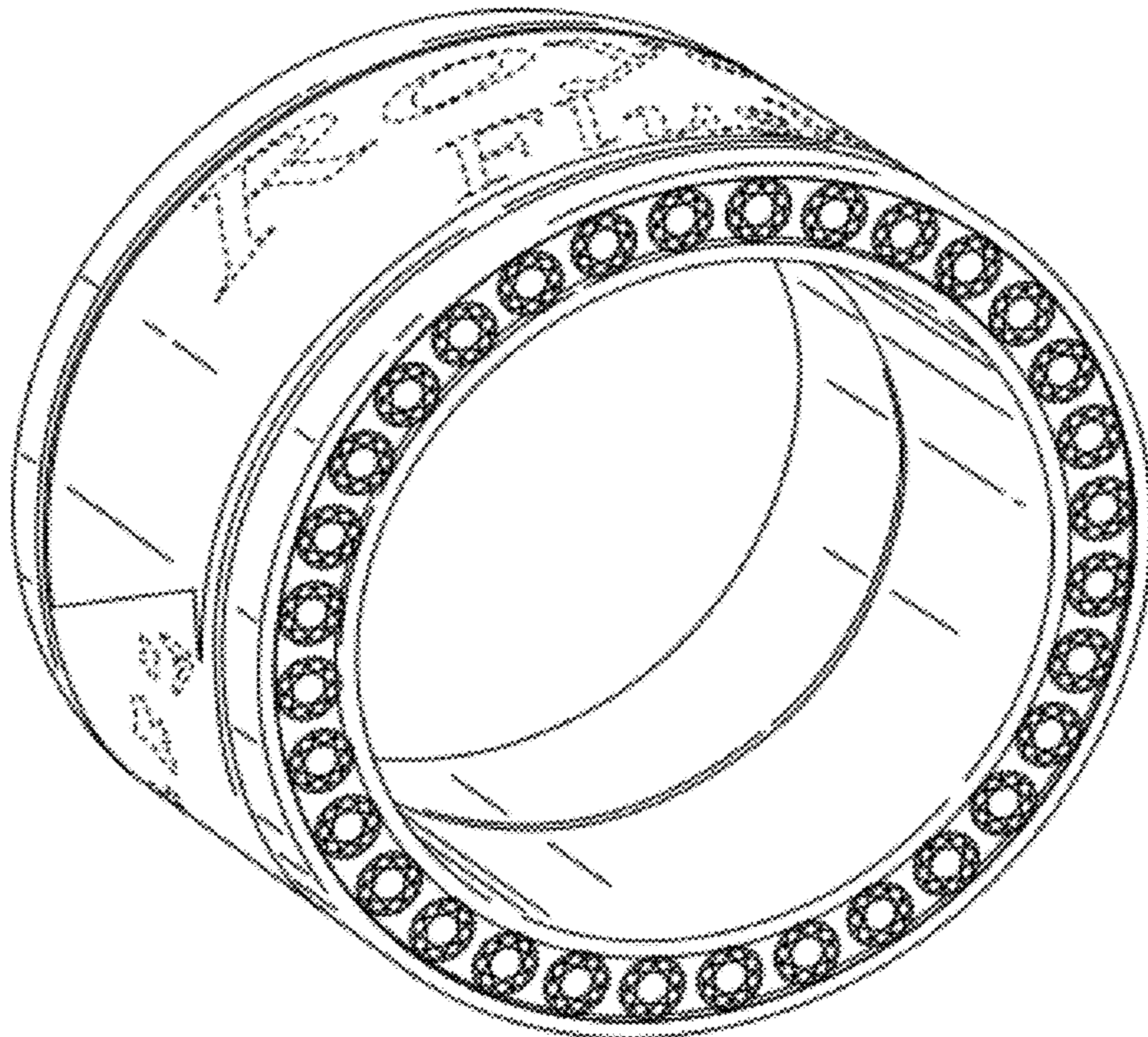
FIG. 5 is a side elevation view thereof taken from the left of FIG. 3;

FIG. 6 is front elevation view thereof; and,

FIG. 7 is a rear elevation view thereof.

The broken lines shown in the drawings represent unclaimed portions of the ring and form no part of the claimed design.

**1 Claim, 7 Drawing Sheets**



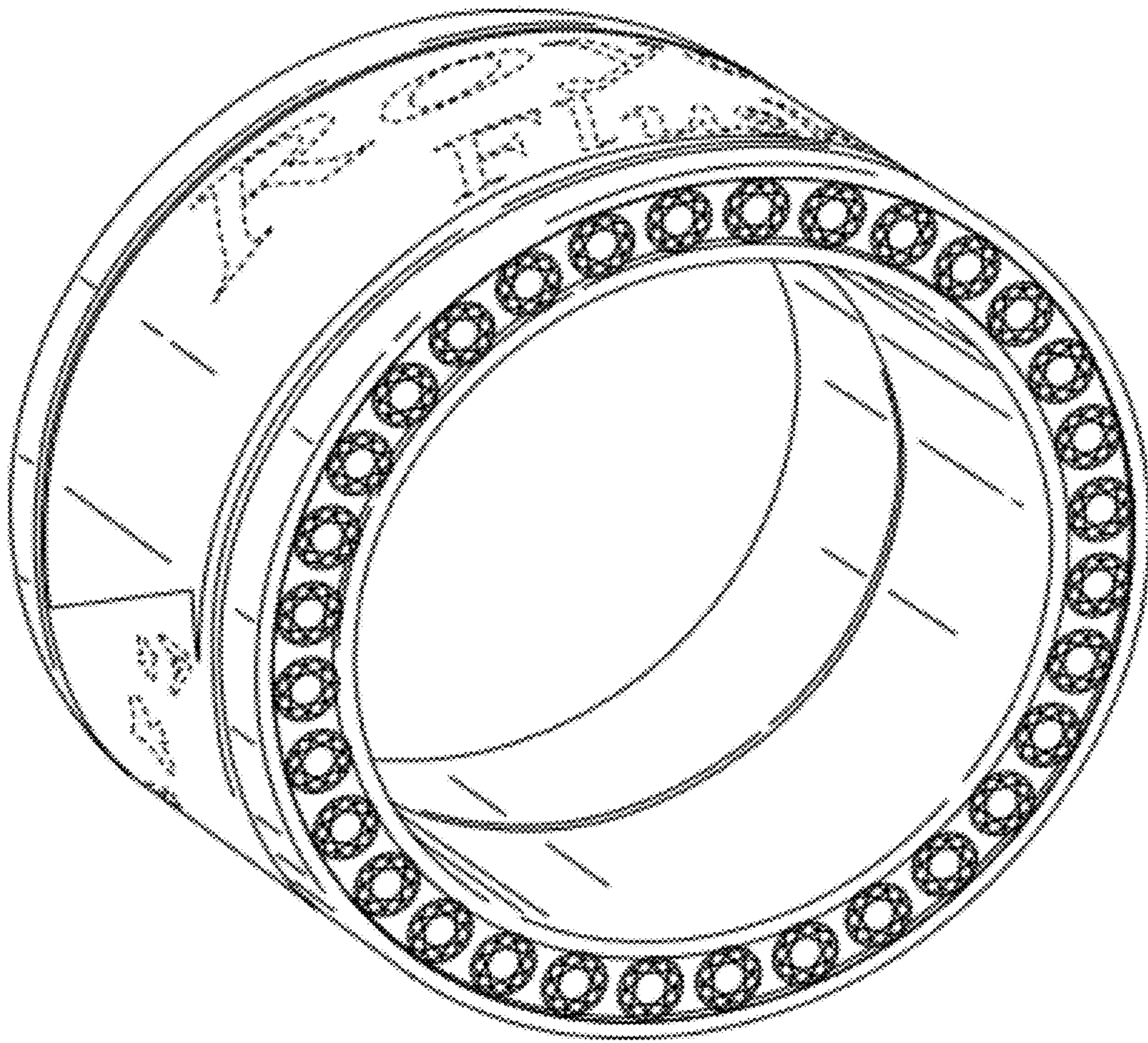


FIG. 1

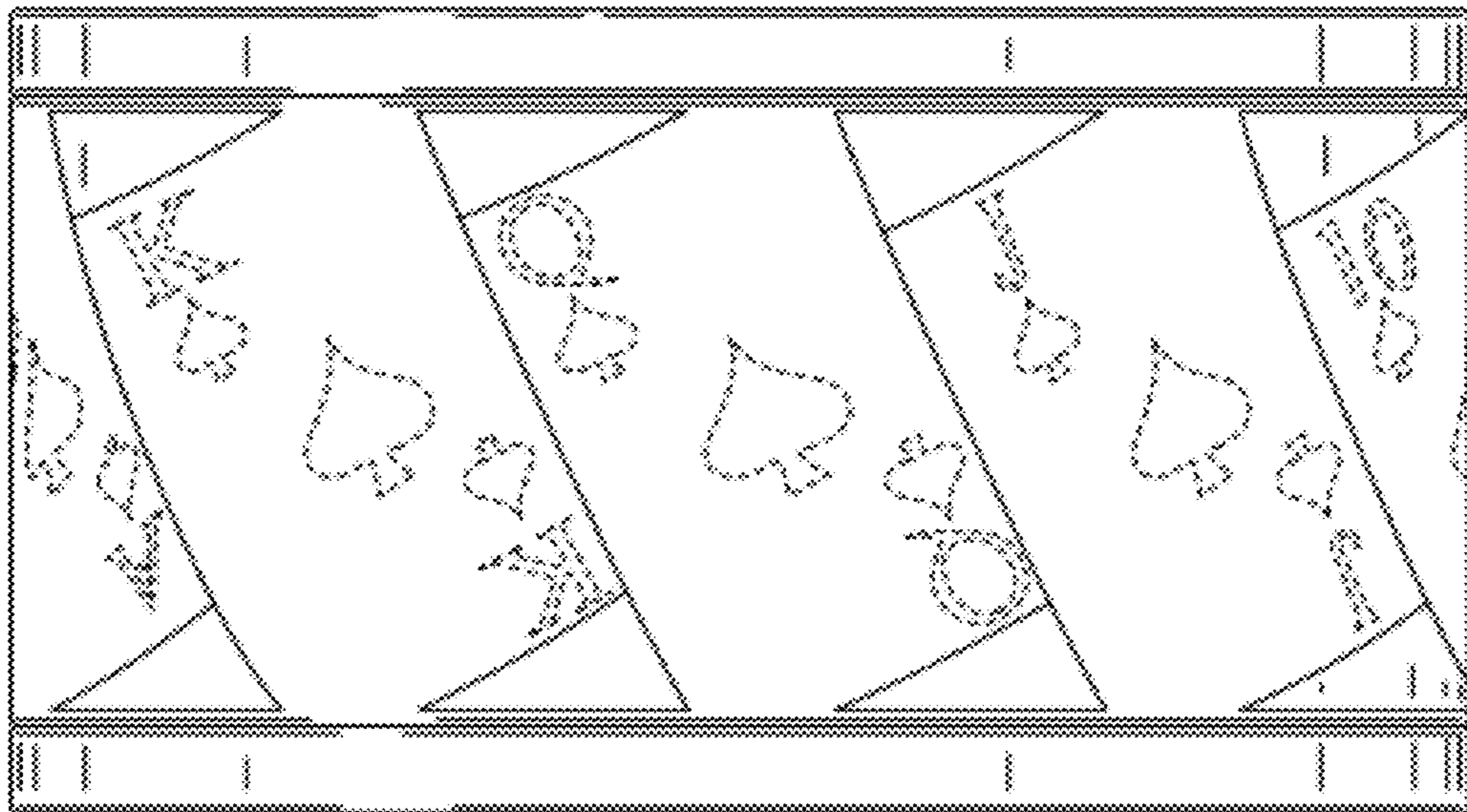


FIG. 2

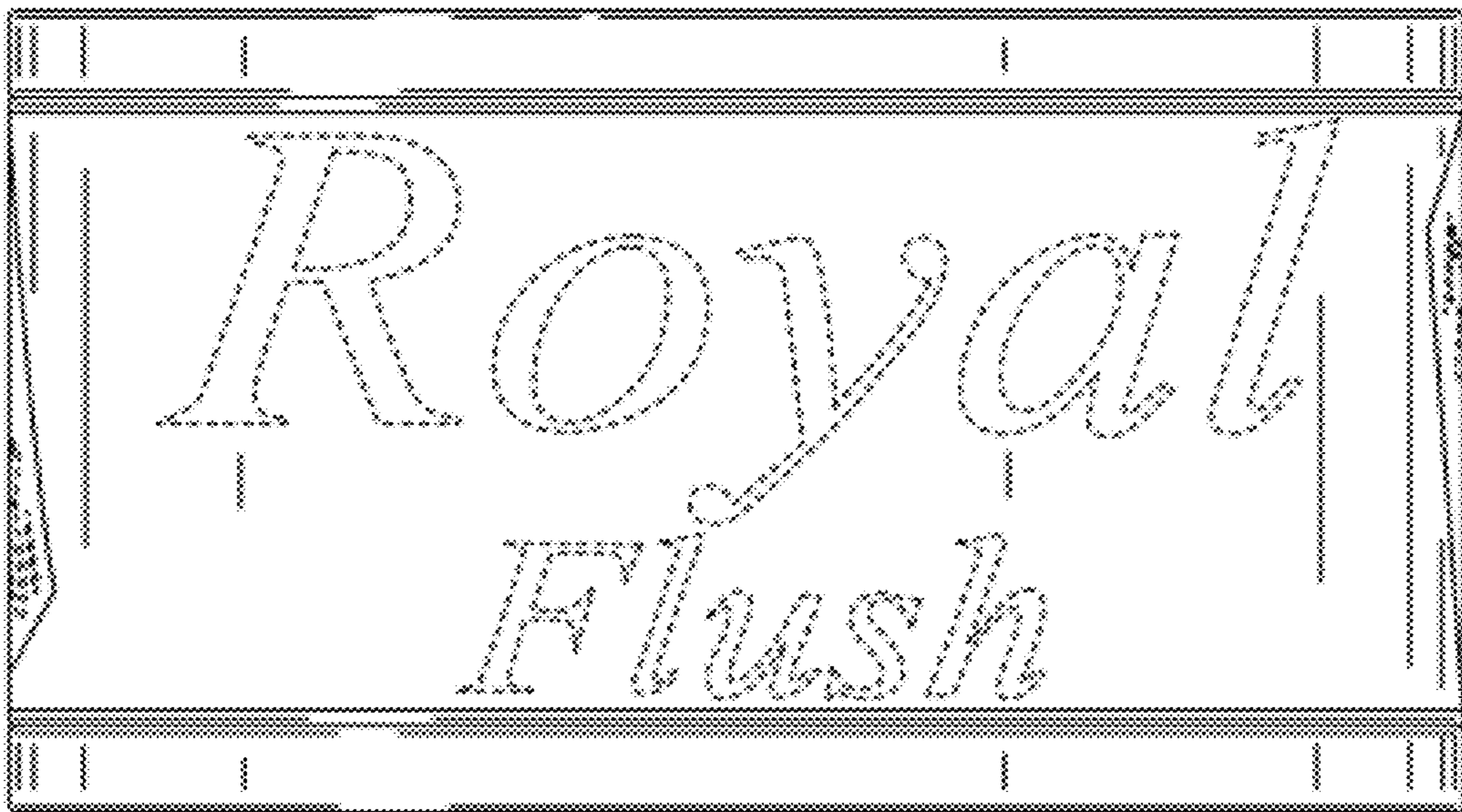


FIG. 3

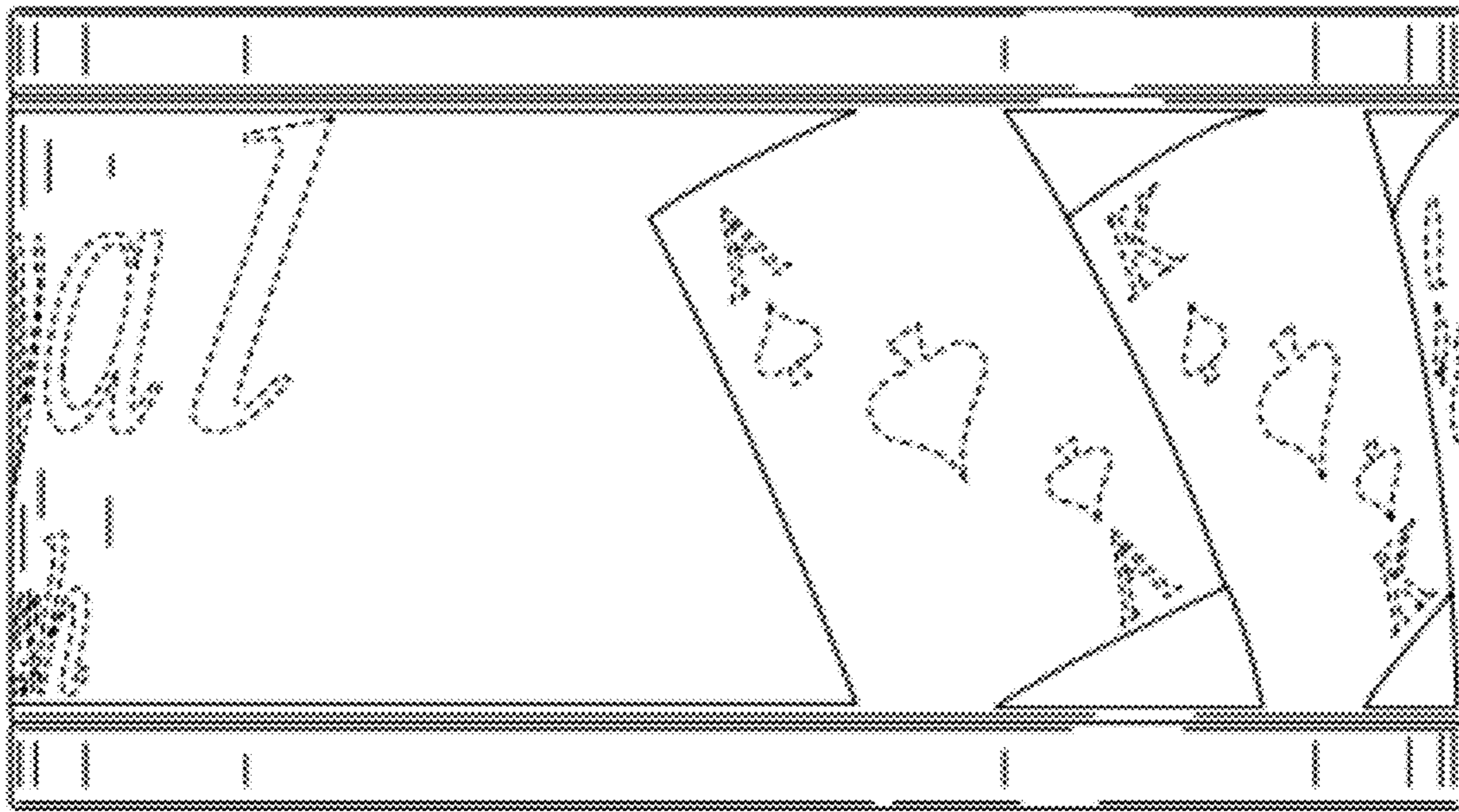


FIG. 4

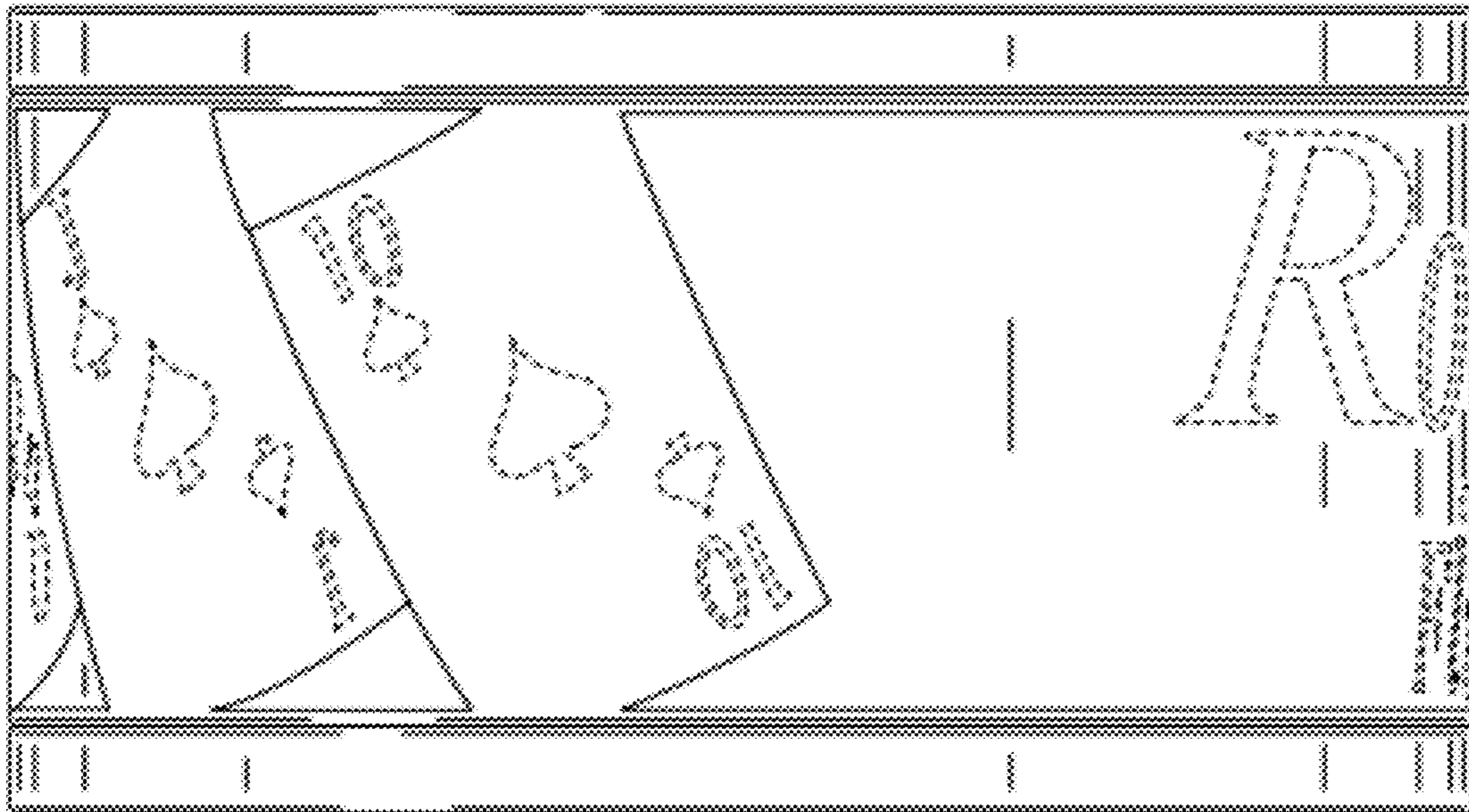


FIG. 5

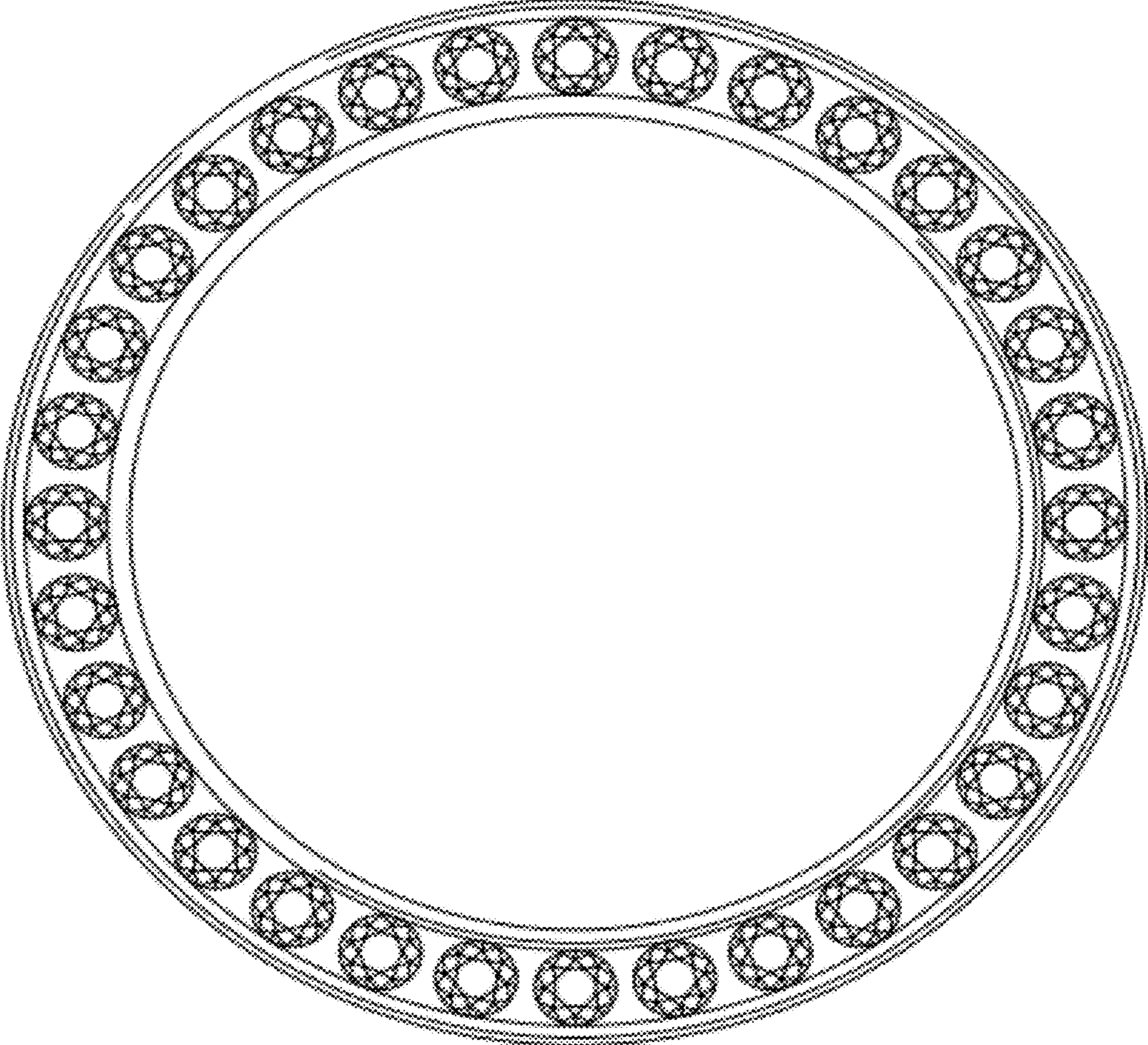


FIG. 6

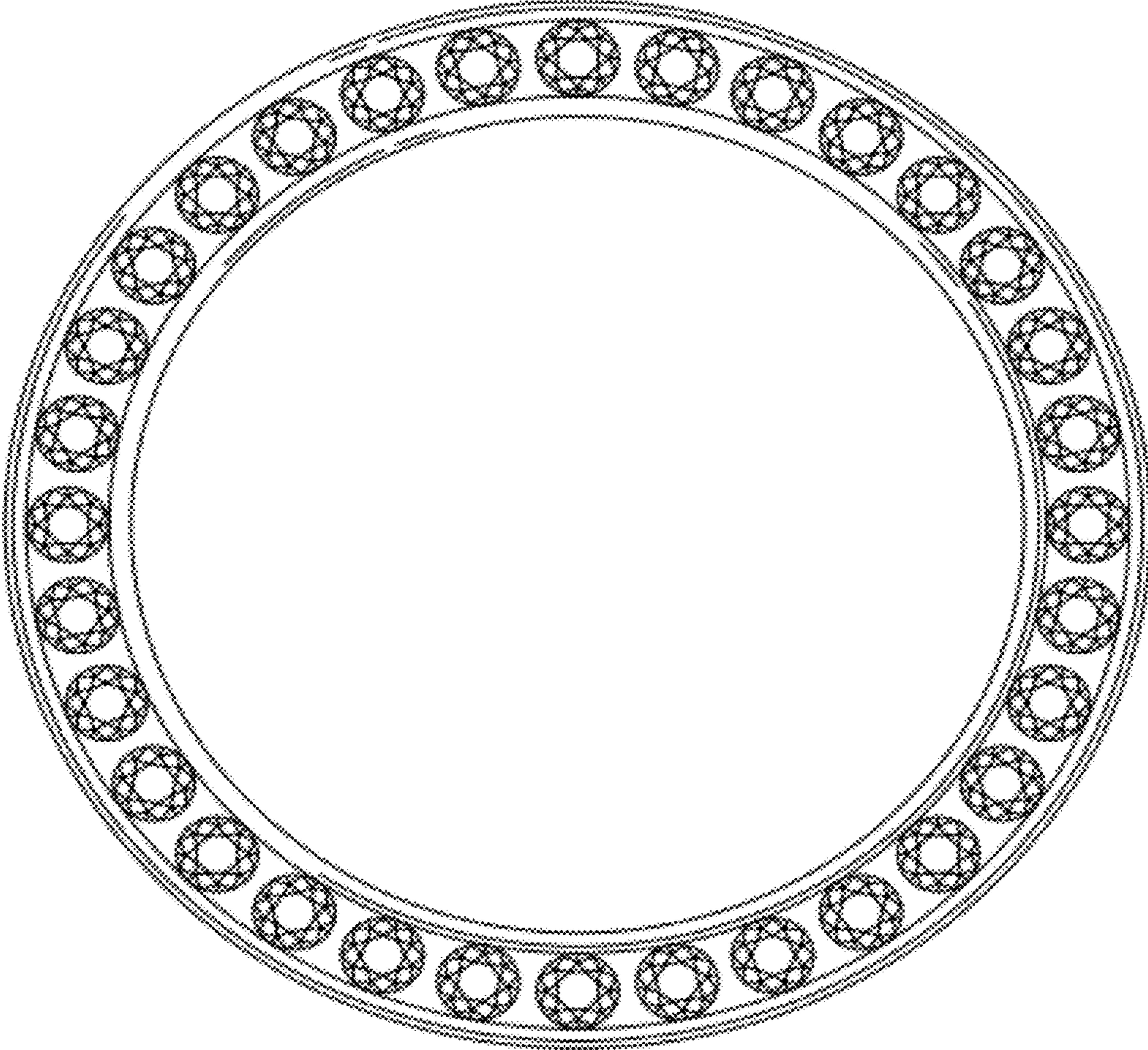


FIG. 7