



US00D659581S

(12) **United States Design Patent**
Fillon

(10) **Patent No.:** **US D659,581 S**

(45) **Date of Patent:** **** May 15, 2012**

(54) **RING**

(75) Inventor: **Arnaud Fillon**, Paris (FR)

(73) Assignee: **Cartier Creation Studio SA**, Geneva (CH)

(**) Term: **14 Years**

(21) Appl. No.: **29/374,408**

(22) Filed: **Aug. 9, 2011**

(30) **Foreign Application Priority Data**

Feb. 10, 2011 (WO) DM/075 359

(51) **LOC (9) Cl.** **11-01**

(52) **U.S. Cl.** **D11/26**

(58) **Field of Classification Search** D11/1-39;
63/3, 3.1, 3.2, 15, 15.1-15.4, 15.45, 15.5,
63/15.6, 15.65, 15.7, 26-28

See application file for complete search history.

(56) **References Cited**

U.S. PATENT DOCUMENTS

D260,620 S * 9/1981 Blum D11/3
D424,967 S * 5/2000 Perrin et al. D11/28
D448,699 S * 10/2001 Pasquetti D11/26
D457,089 S * 5/2002 Mistretta D11/26
D463,307 S * 9/2002 Charriol D11/3

D470,429 S * 2/2003 Bonnet D11/3
D480,981 S * 10/2003 Pasquetti D11/26
D540,709 S * 4/2007 Daas D11/16
D541,692 S * 5/2007 Daas D11/16
D542,689 S * 5/2007 Daas D11/16
D543,127 S * 5/2007 Daas D11/16
D601,054 S * 9/2009 Sivriere D11/26
D606,895 S * 12/2009 Lebail D11/34
7,631,517 B2 * 12/2009 Kaplan 63/15
D626,025 S * 10/2010 Iacomucci D11/26
D631,382 S * 1/2011 Iacomucci D11/26
2008/0006055 A1 * 1/2008 Silvant 63/10

* cited by examiner

Primary Examiner — Cathron Brooks

Assistant Examiner — Melanie Pellegrini

(74) *Attorney, Agent, or Firm* — Clifford W. Browning;
Krieg DeVault LLP

(57) **CLAIM**

The ornamental design for a ring, as shown and described.

DESCRIPTION

FIG. 1 is a front view of the ring of the present invention.

FIG. 2 is a back view of the ring of FIG. 1.

FIG. 3 is a right side view of the ring of FIG. 1.

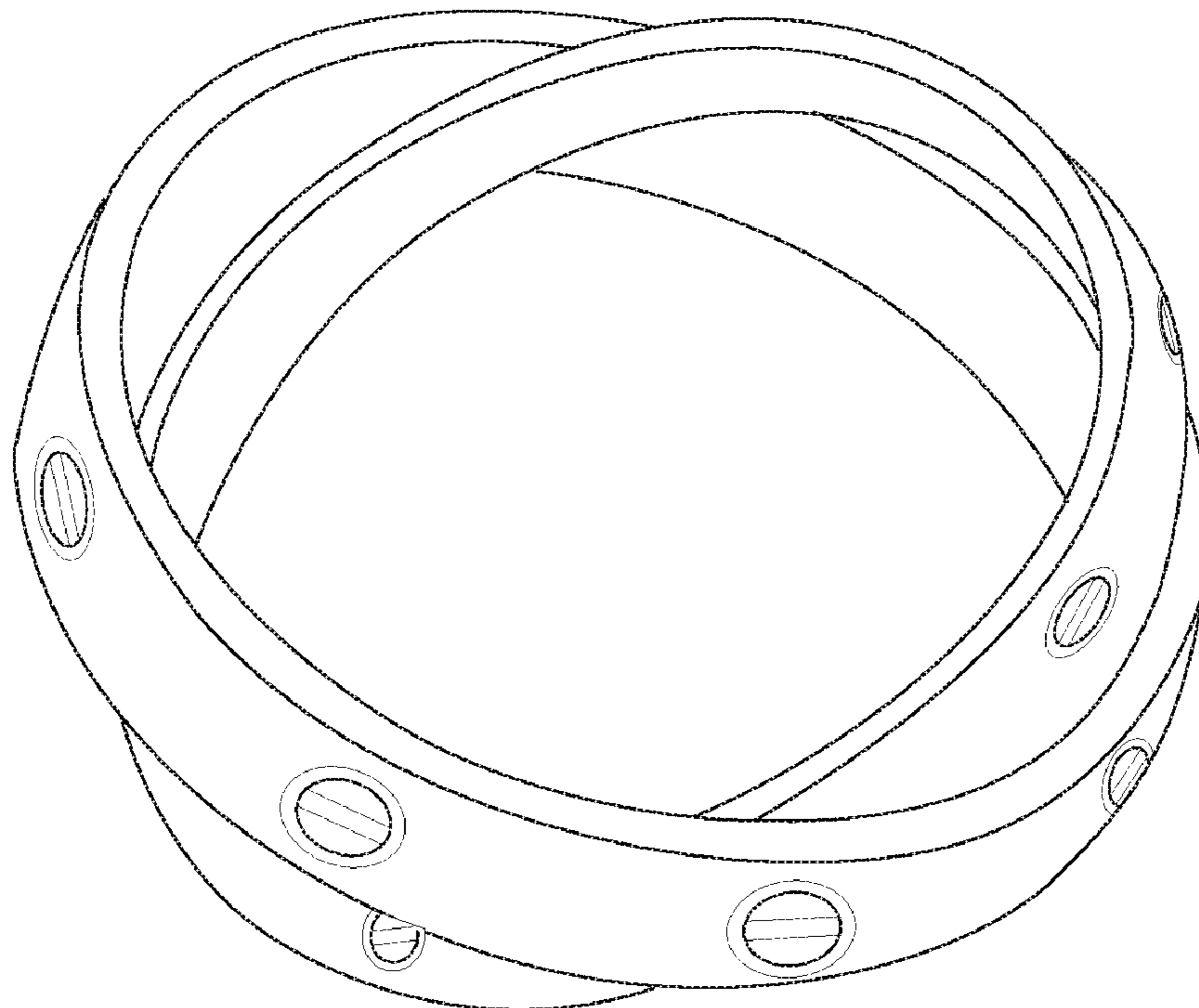
FIG. 4 is a left side view of the ring of FIG. 1.

FIG. 5 is a top view of the ring of FIG. 1.

FIG. 6 is a bottom view of the ring of FIG. 1; and,

FIG. 7 is a perspective view of the ring of FIG. 1.

1 Claim, 4 Drawing Sheets



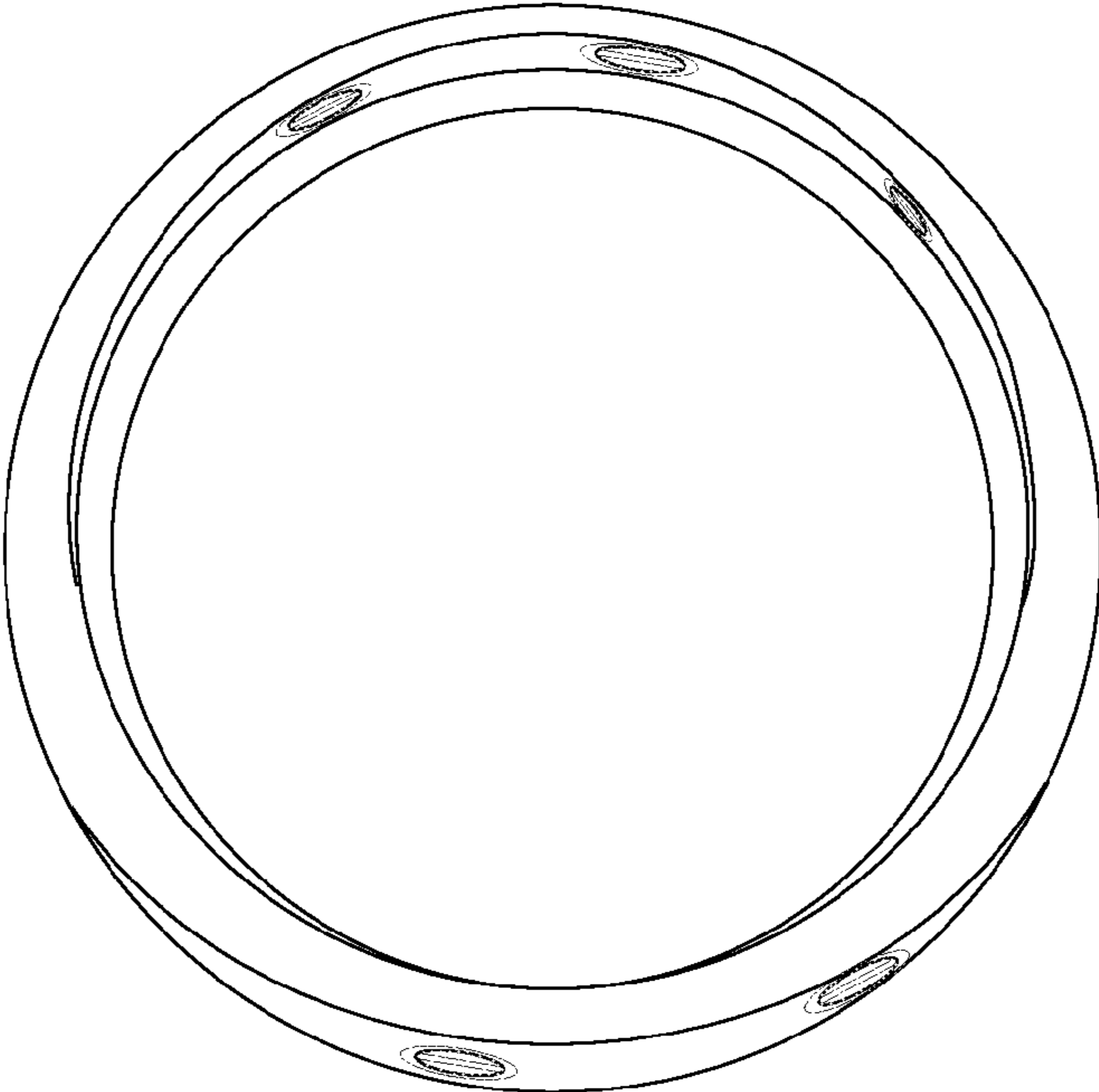


FIG. 1

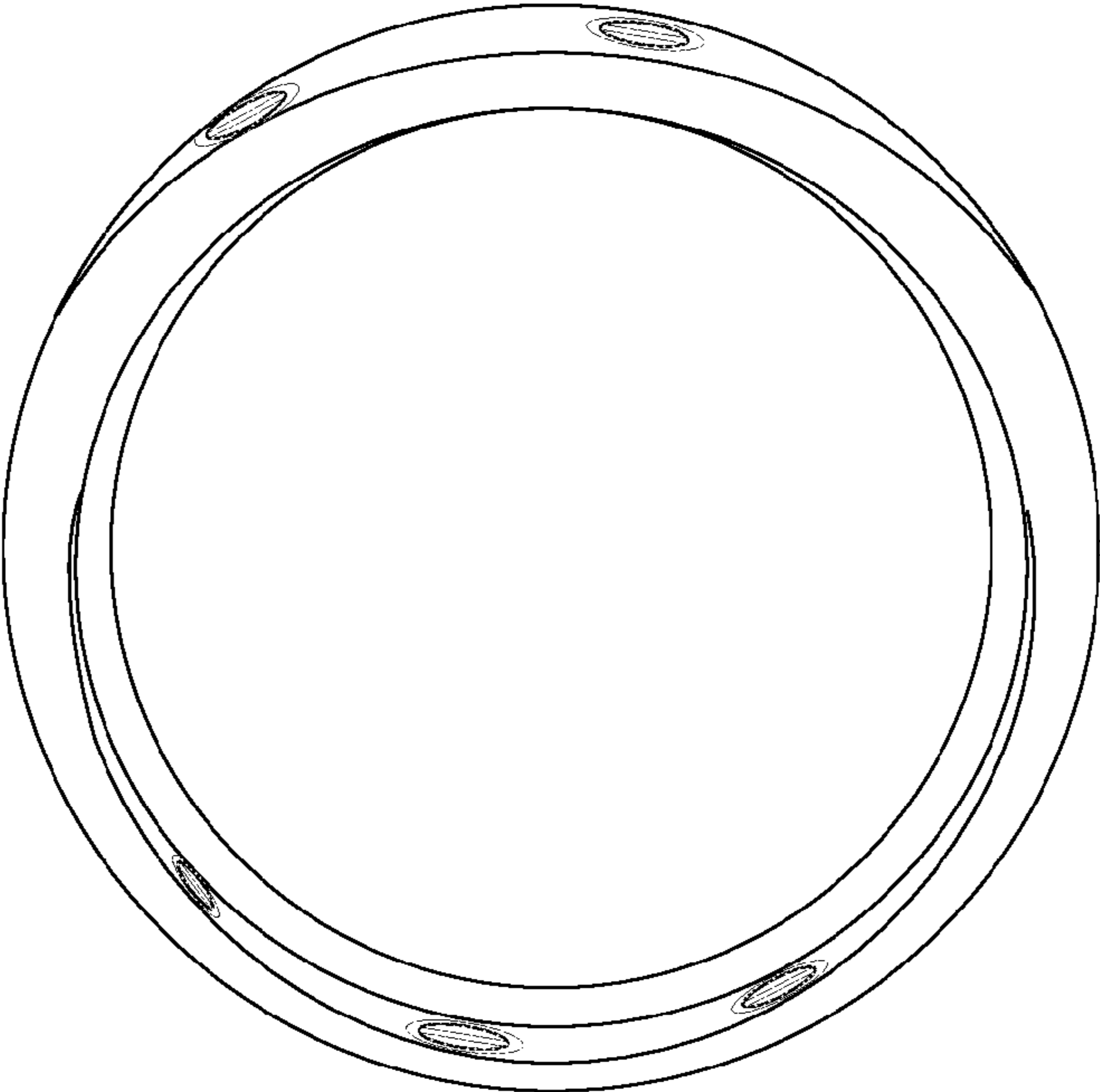


FIG. 2

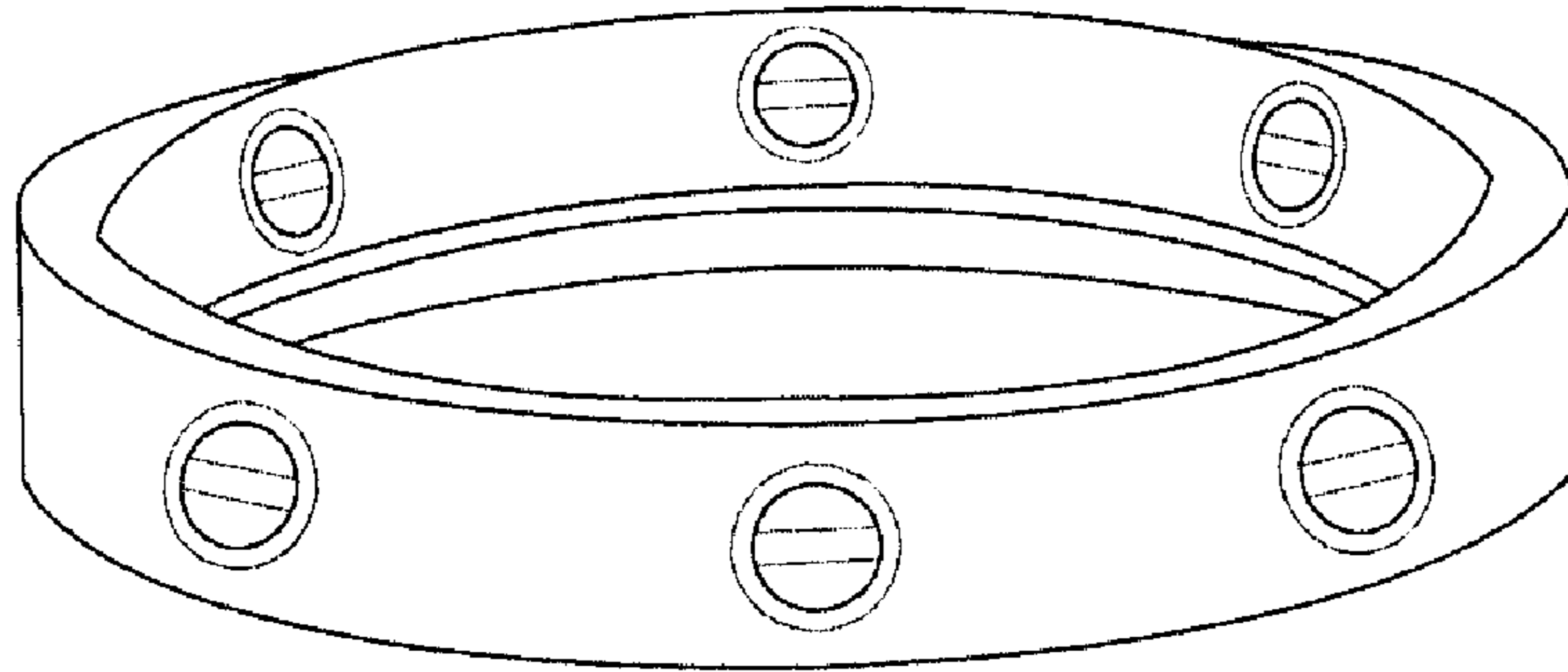


FIG. 3

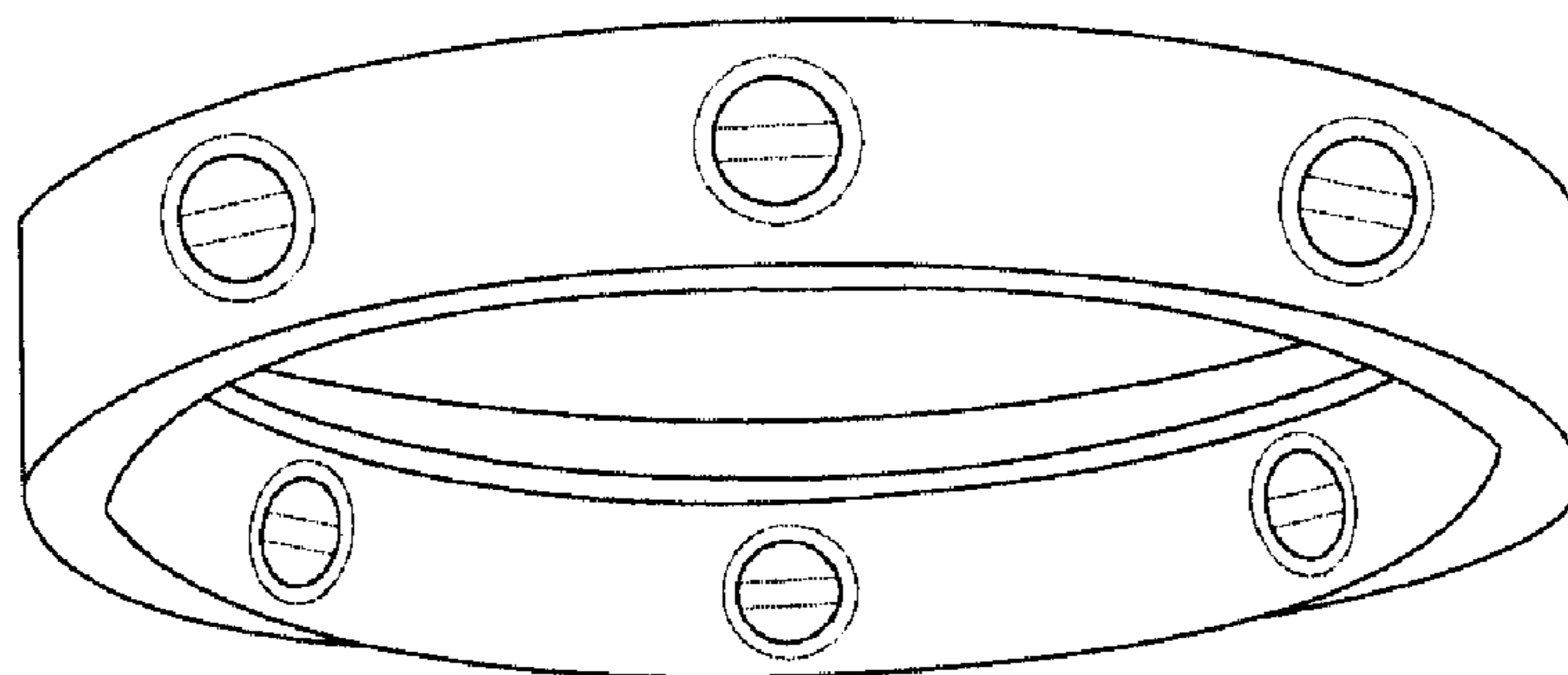


FIG. 4

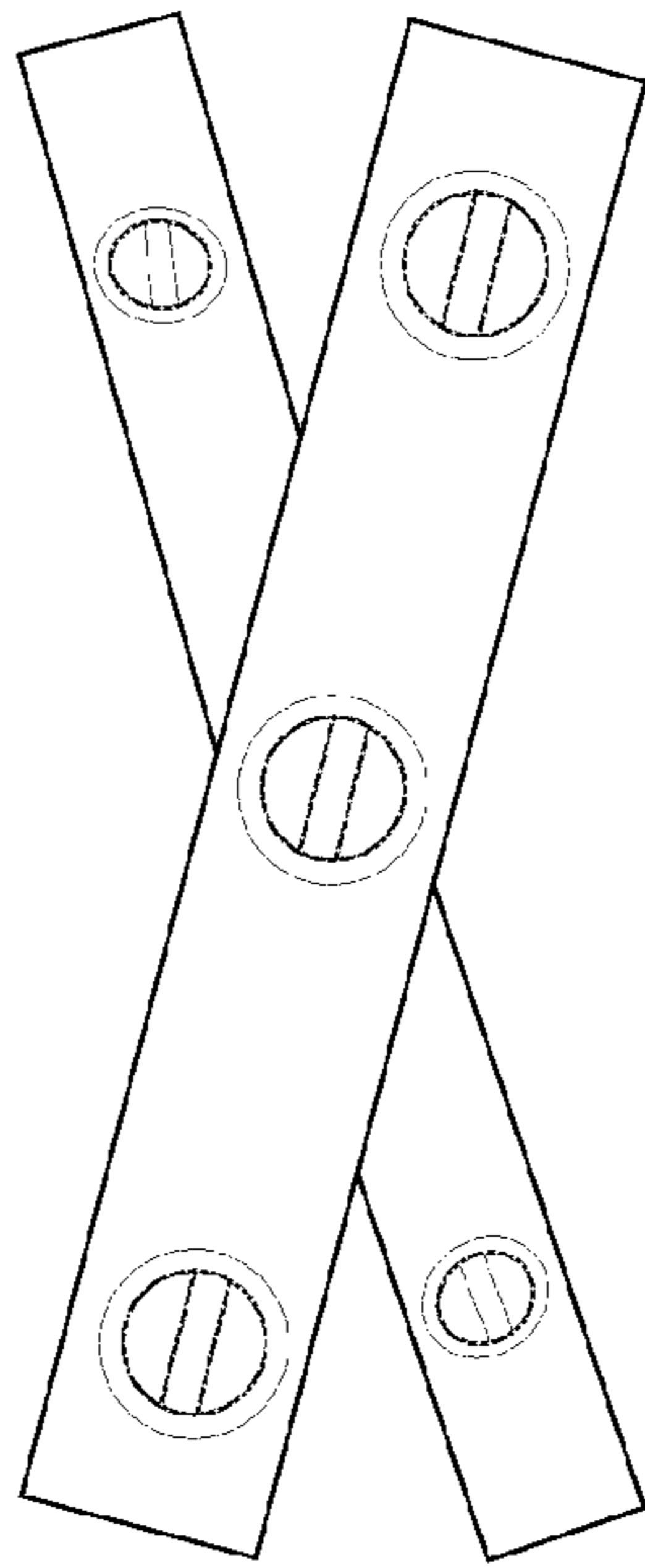


FIG. 5

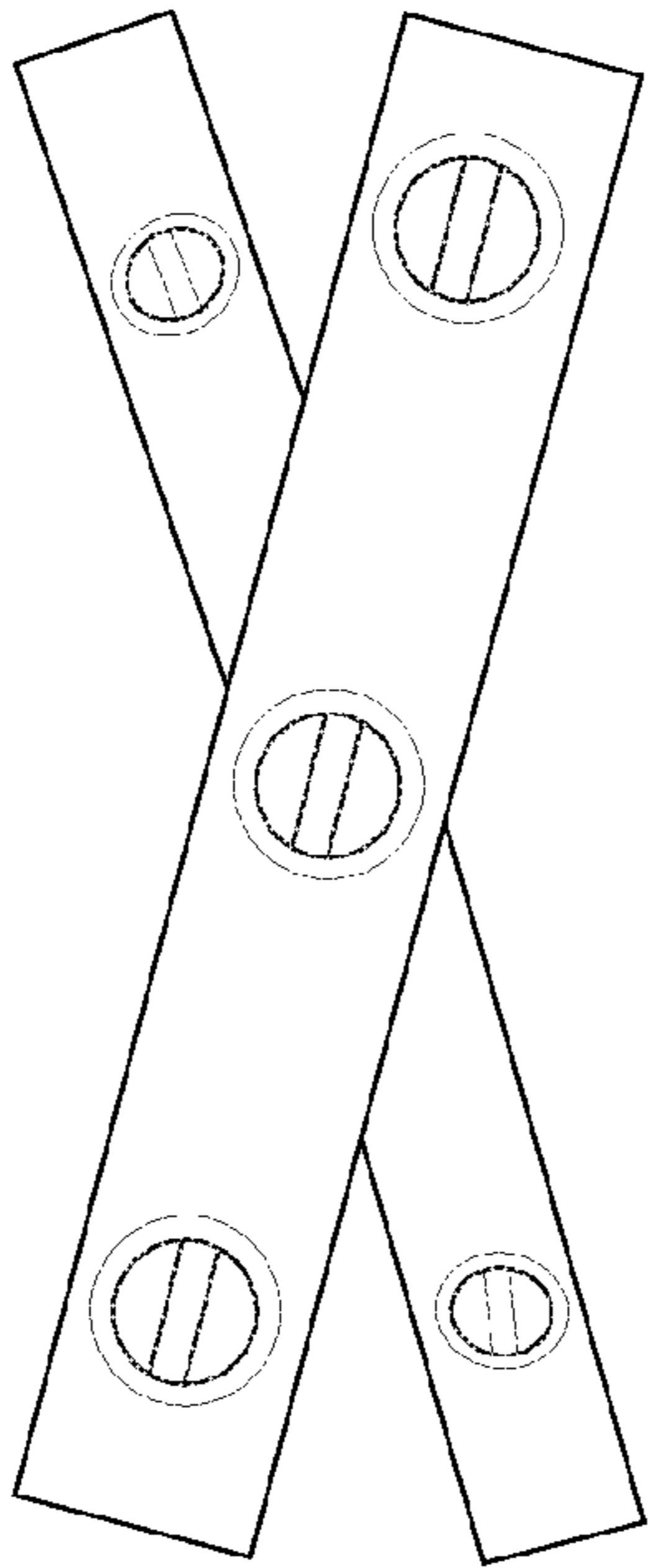


FIG. 6

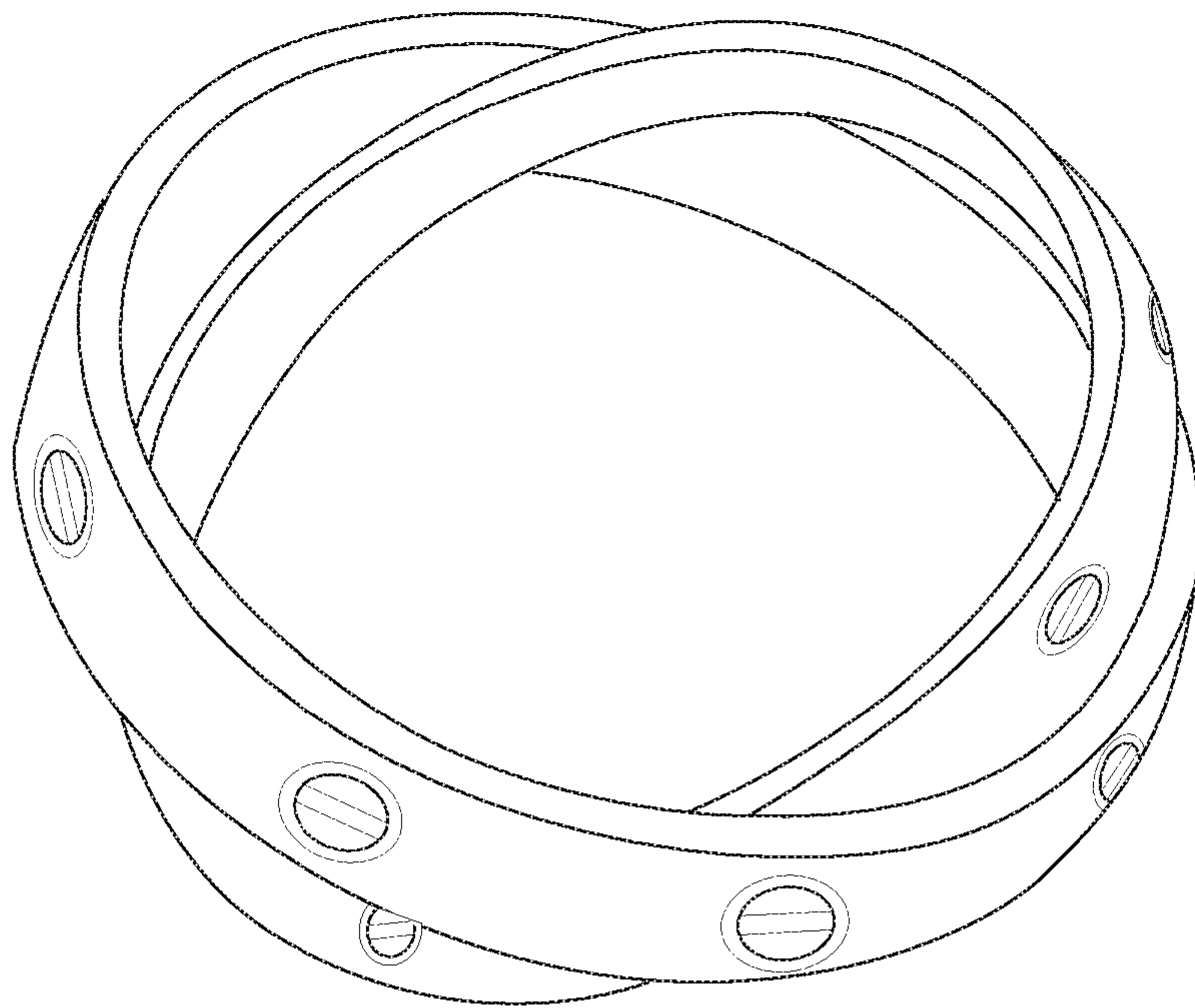


FIG. 7