



US00D659578S

(12) **United States Design Patent**  
**Hess et al.**

(10) **Patent No.:** **US D659,578 S**

(45) **Date of Patent:** **\*\* May 15, 2012**

(54) **CONSUMER PORTABLE ALARM UNIT**

(75) Inventors: **Brian K. Hess**, Westerville, OH (US);  
**Spencer B. Murrell**, Lewis Center, OH (US)

(73) Assignee: **TattleTale Portable Alarm Systems, Inc.**, Westerville, OH (US)

(\*\*) Term: **14 Years**

(21) Appl. No.: **29/358,253**

(22) Filed: **Mar. 24, 2010**

(51) **LOC (9) Cl.** ..... **10-05**

(52) **U.S. Cl.** ..... **D10/106.6**

(58) **Field of Classification Search** ..... D10/104.1,  
D10/106.6; D14/141.2-141.3, 159, 171,  
D14/188; D21/324, 332, 674; 340/561,  
340/562, 567, 556, 555

See application file for complete search history.

(56) **References Cited**

**U.S. PATENT DOCUMENTS**

D339,759 S \* 9/1993 Ho ..... D10/106.6  
D497,319 S \* 10/2004 Shaanan ..... D10/104.1

D539,181 S \* 3/2007 Concari ..... D10/104.1  
D542,684 S \* 5/2007 Nama ..... D10/104.1  
D583,360 S \* 12/2008 Gredler ..... D14/171

\* cited by examiner

*Primary Examiner* — George D Kirschbaum

(74) *Attorney, Agent, or Firm* — Rader, Fishman & Grauer PLLC

(57) **CLAIM**

The ornamental design for consumer portable alarm unit, as shown and described.

**DESCRIPTION**

FIG. 1 is a perspective view of the consumer portable alarm unit;

FIG. 2 is a front view of the consumer portable alarm unit;

FIG. 3 is a back view of the consumer portable alarm unit;

FIG. 4 is a top view of the consumer portable alarm unit;

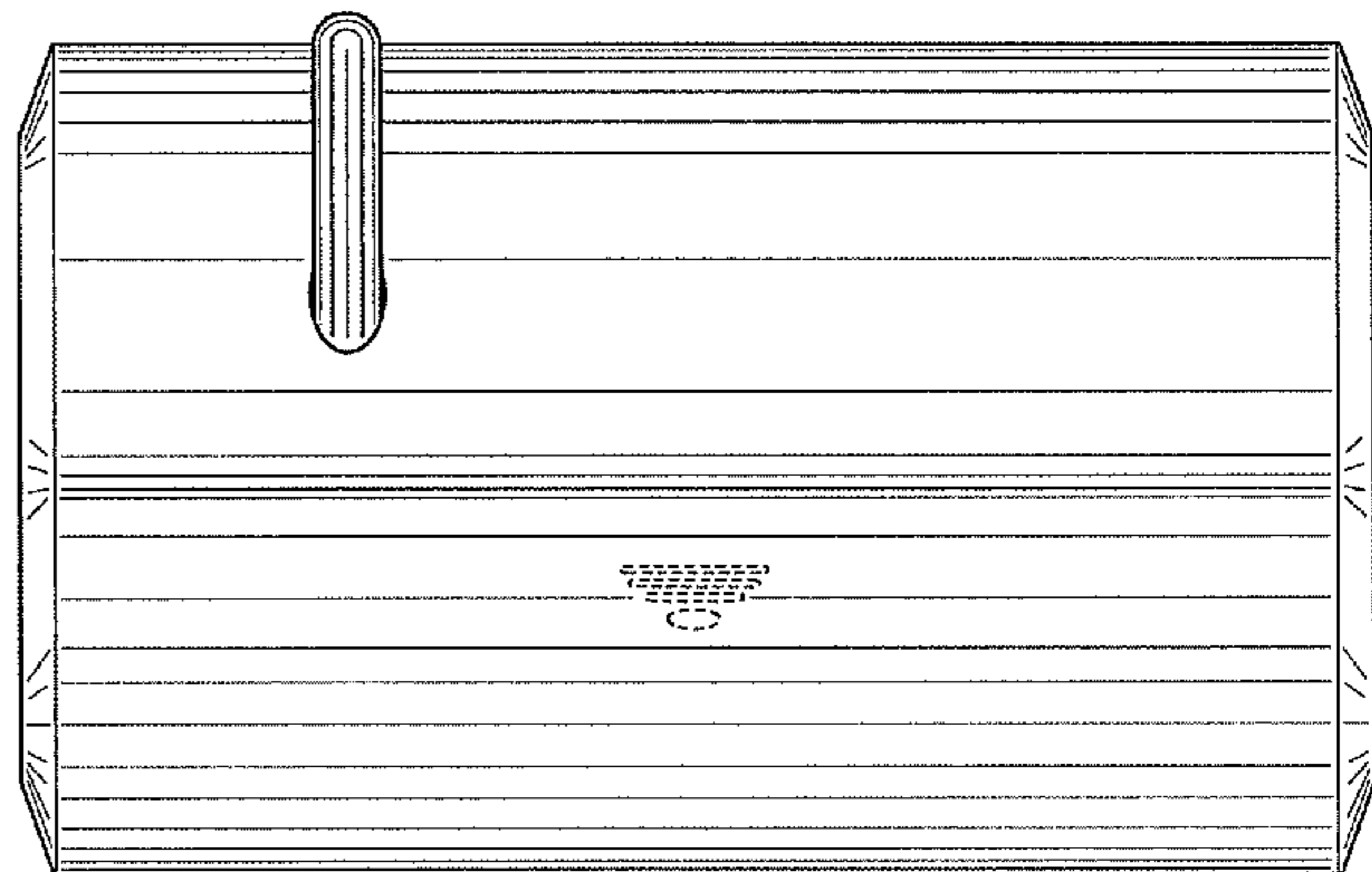
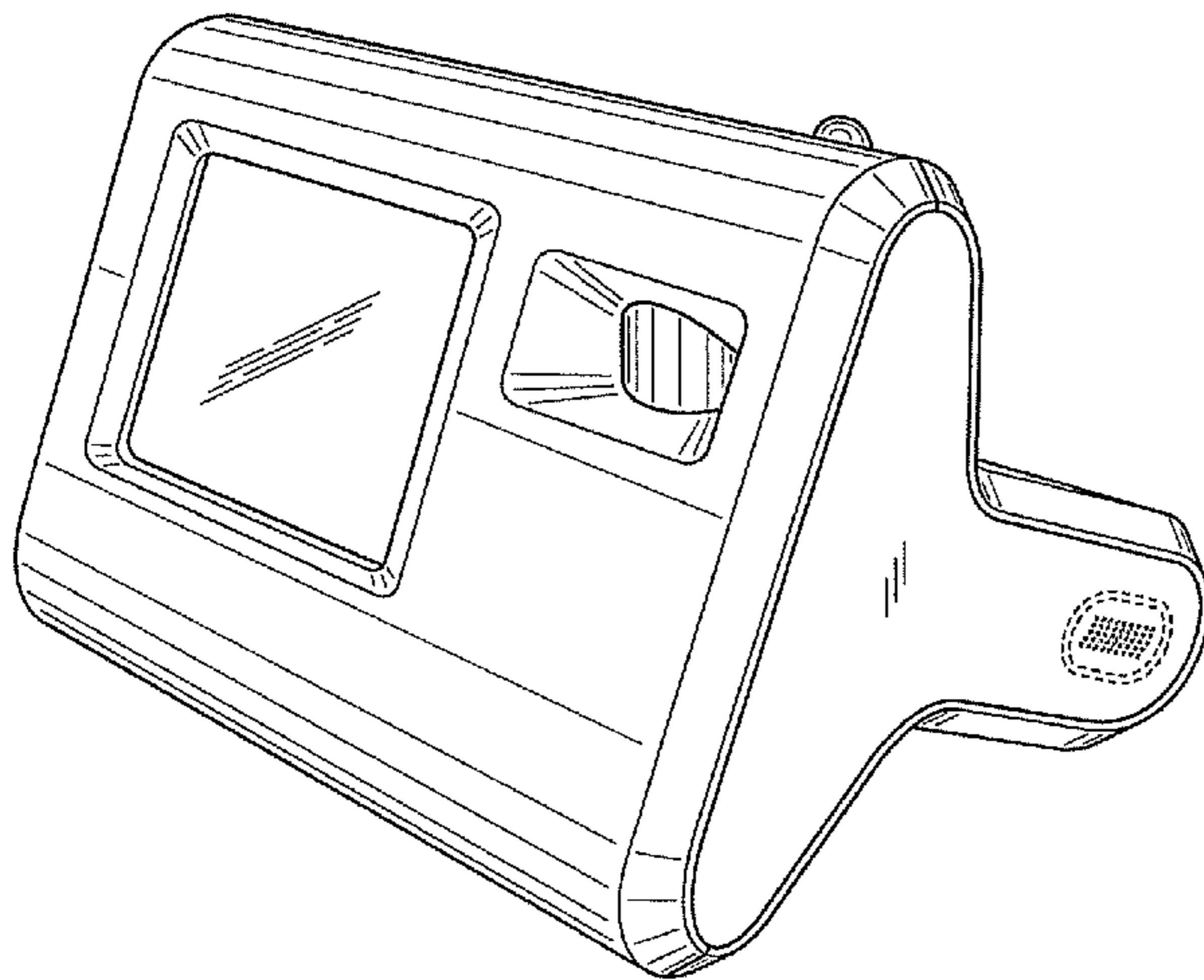
FIG. 5 is a bottom view of the consumer portable alarm unit;

and,

FIGS. 6 & 7 are left and right side views of the consumer portable alarm unit.

In the drawings, the broken line showing depicts environmental subject matter and forms no part of the claim.

**1 Claim, 4 Drawing Sheets**



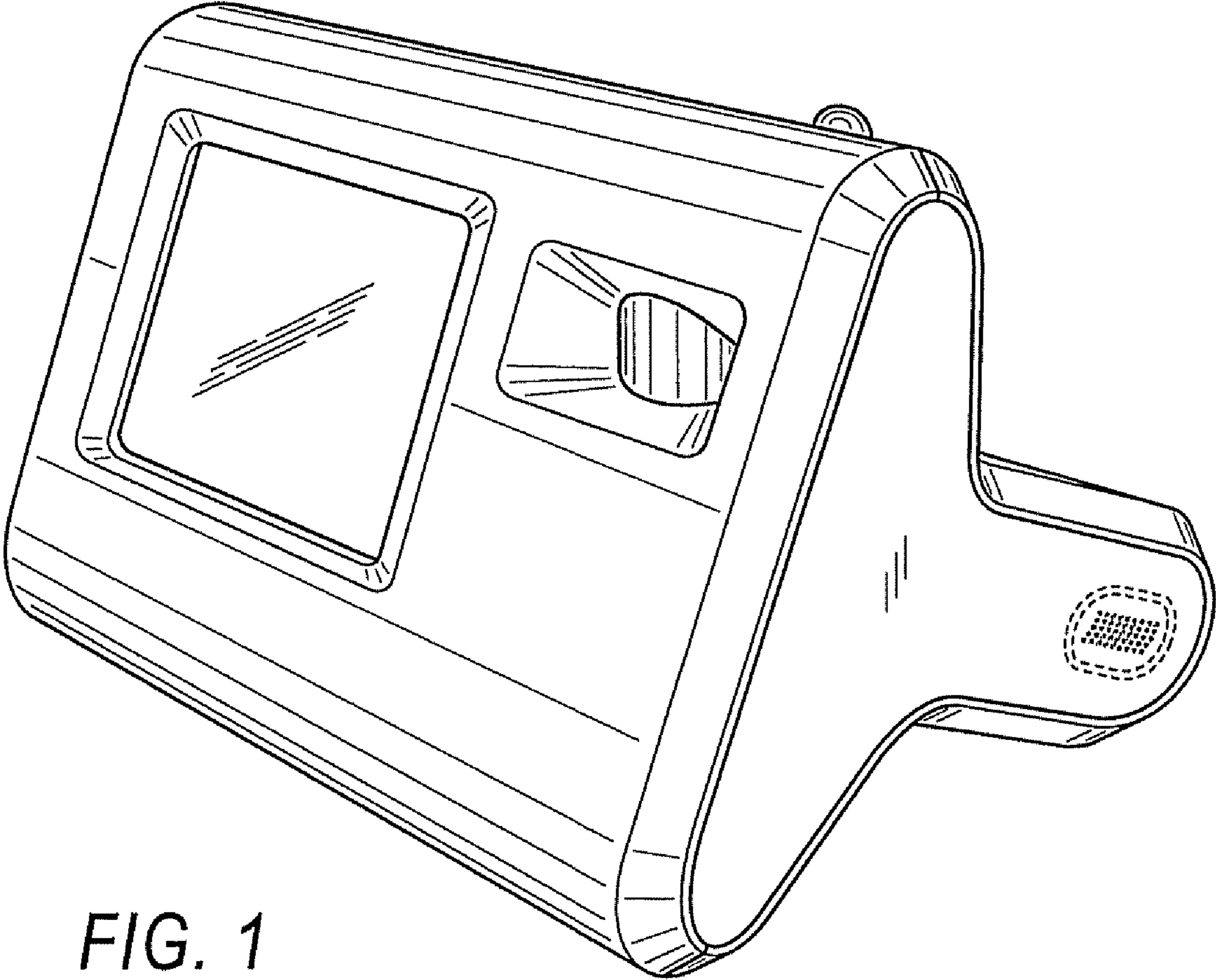


FIG. 1

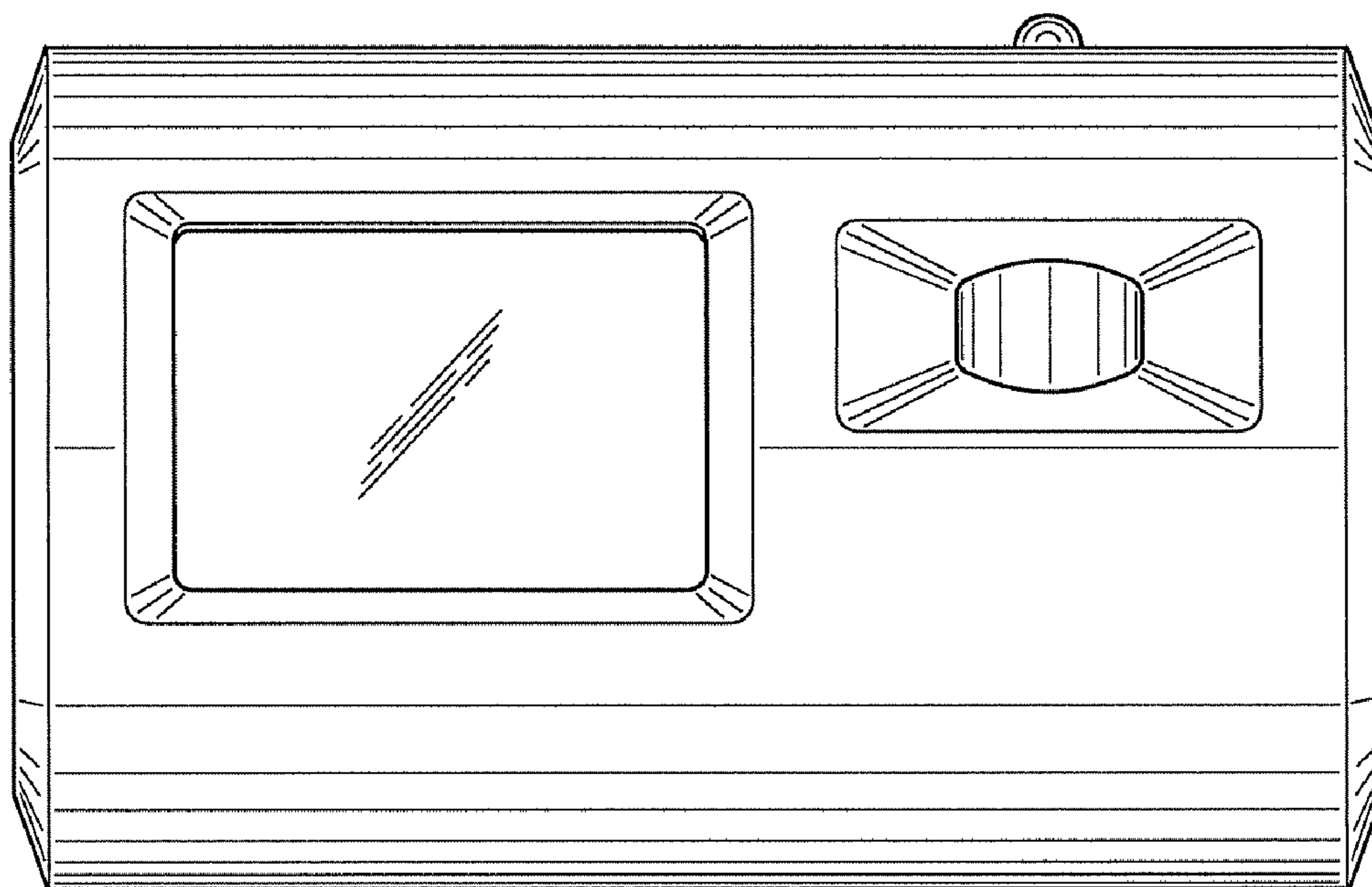


FIG. 2

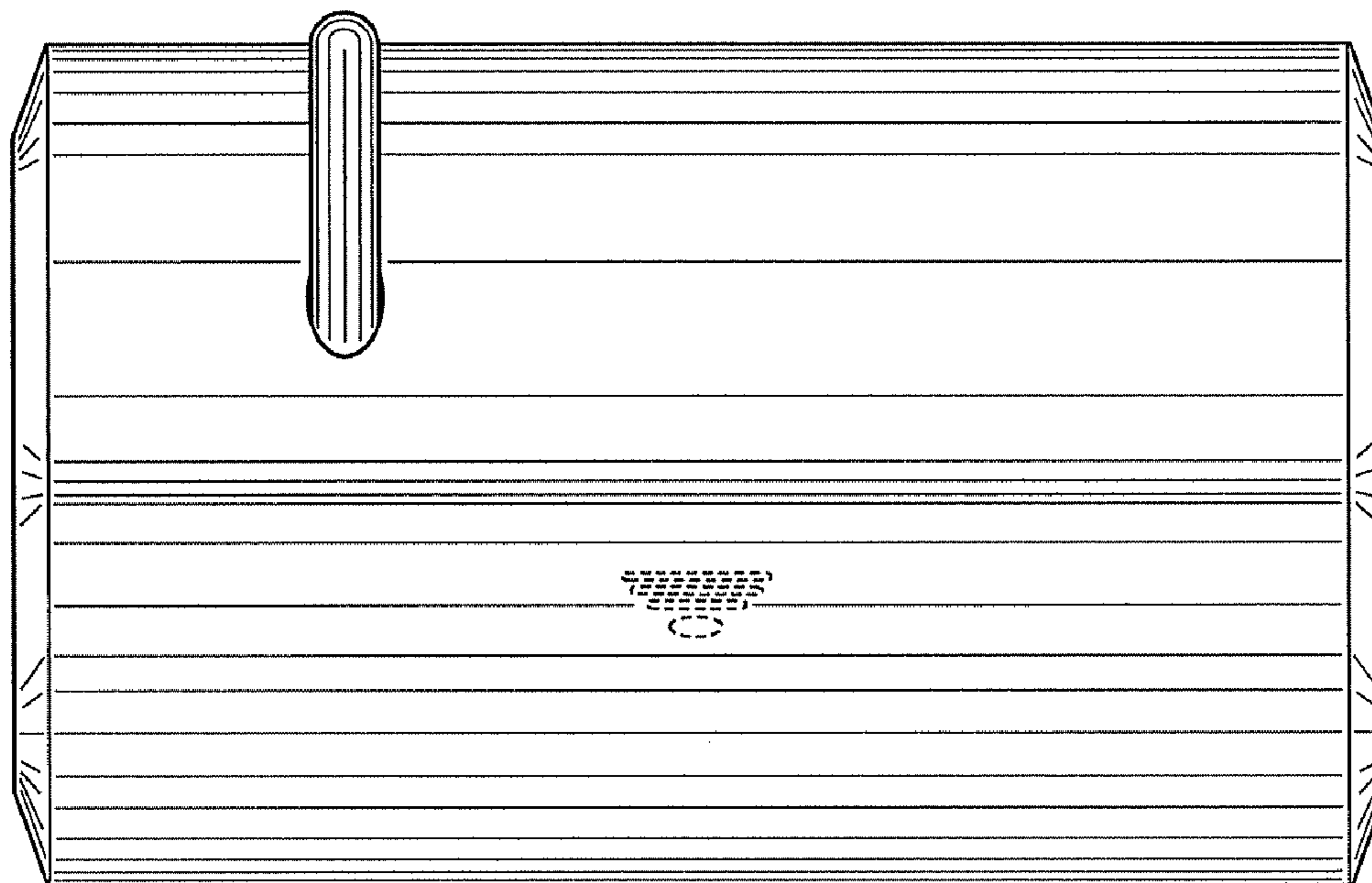


FIG. 3

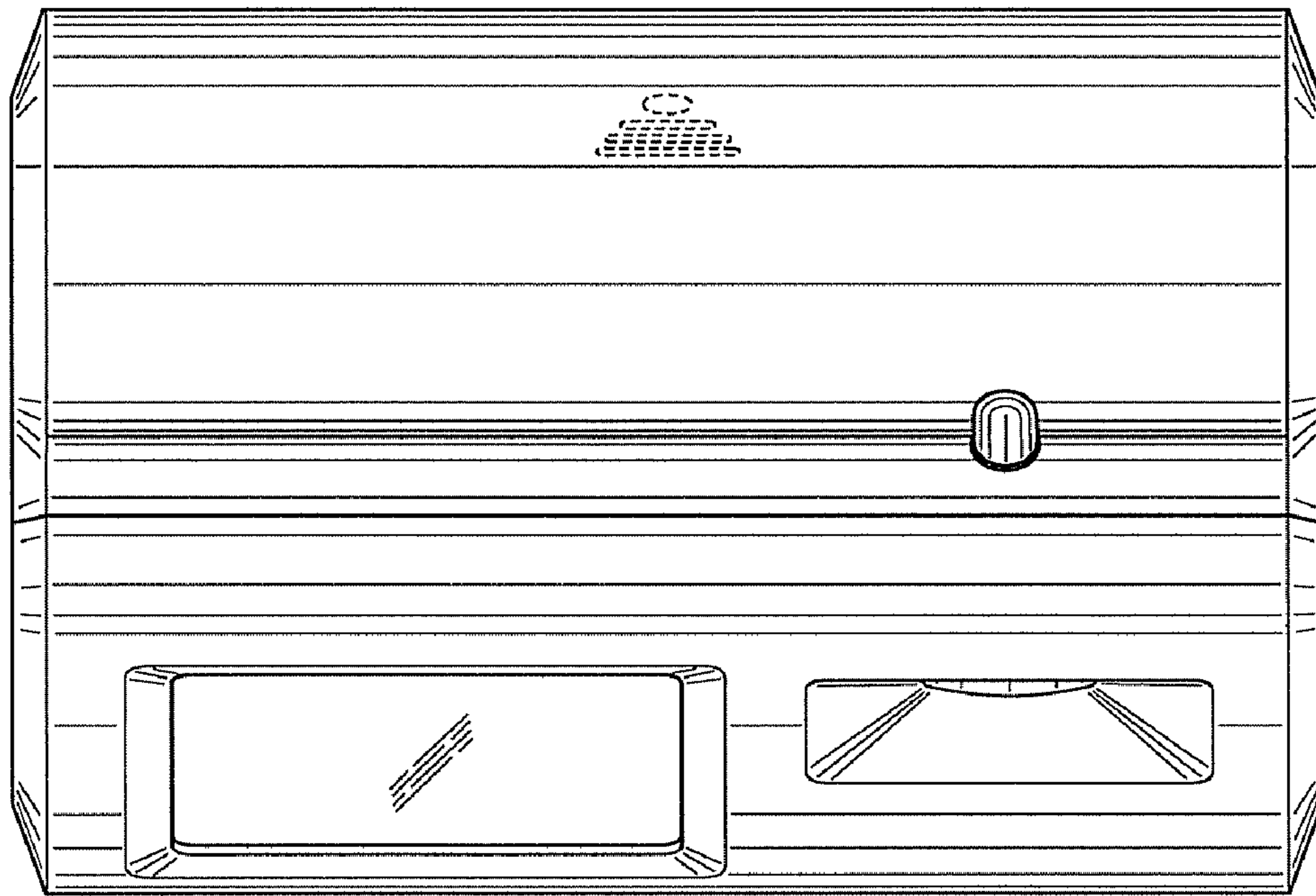


FIG. 4

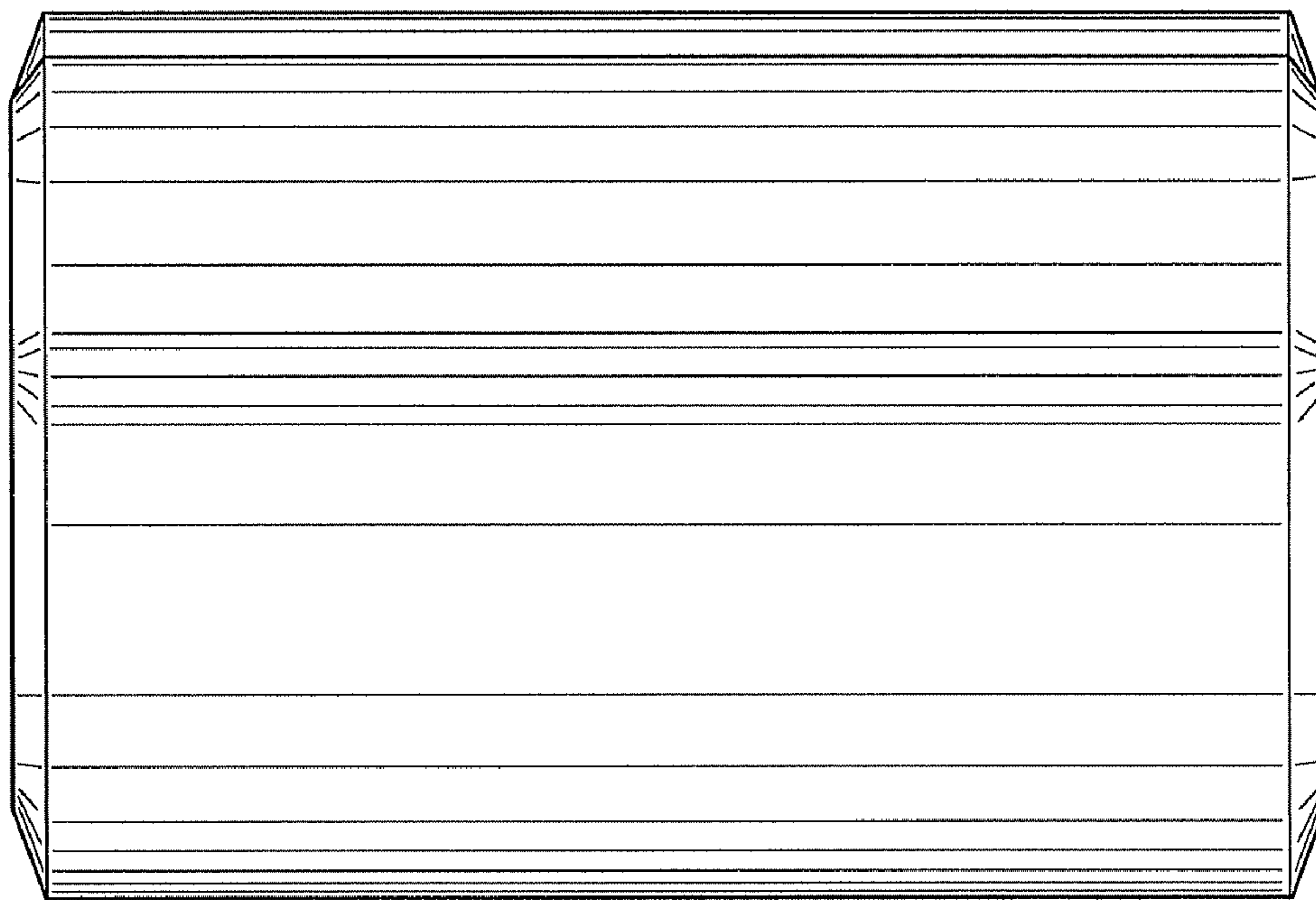


FIG. 5

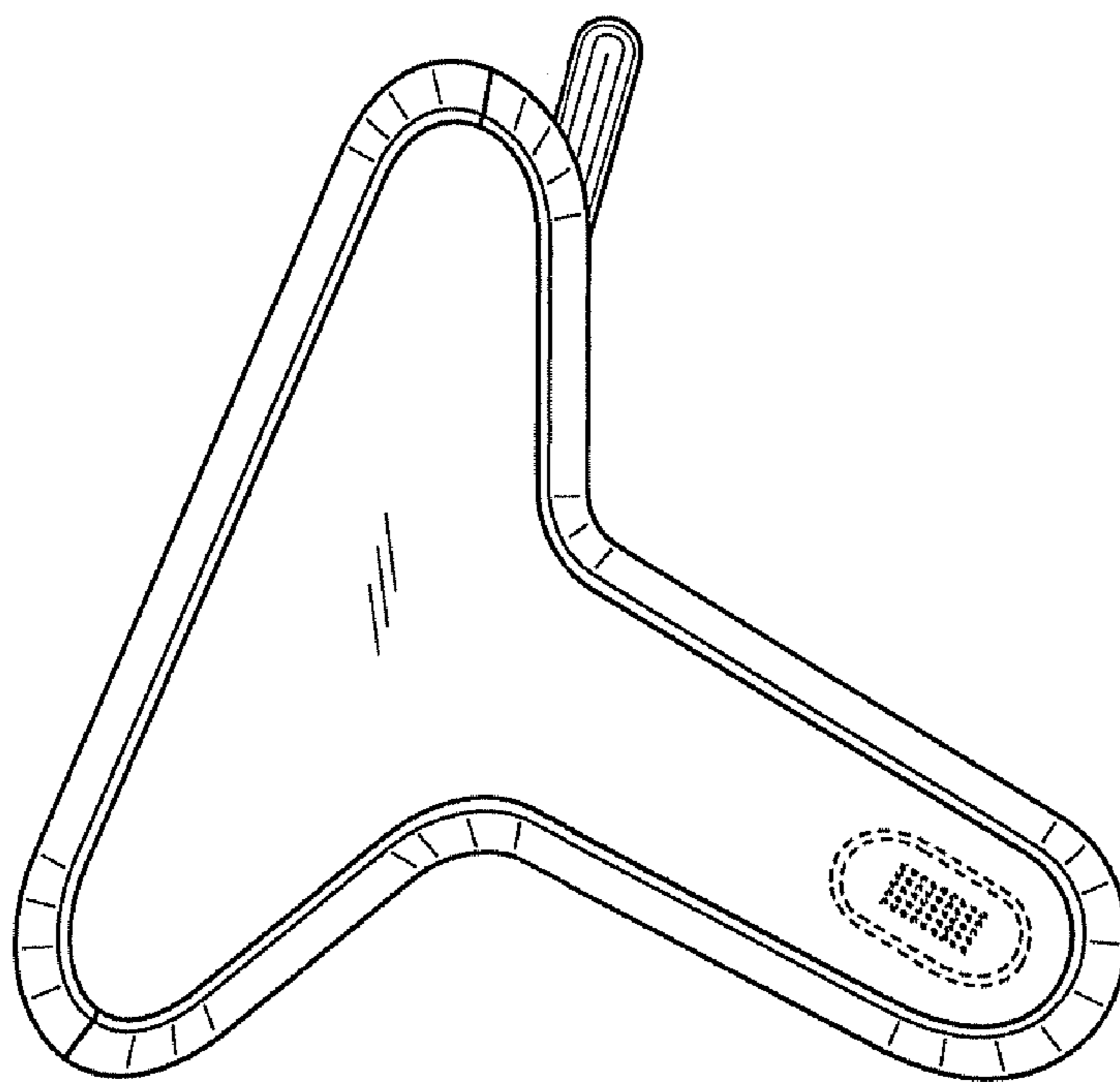


FIG. 6

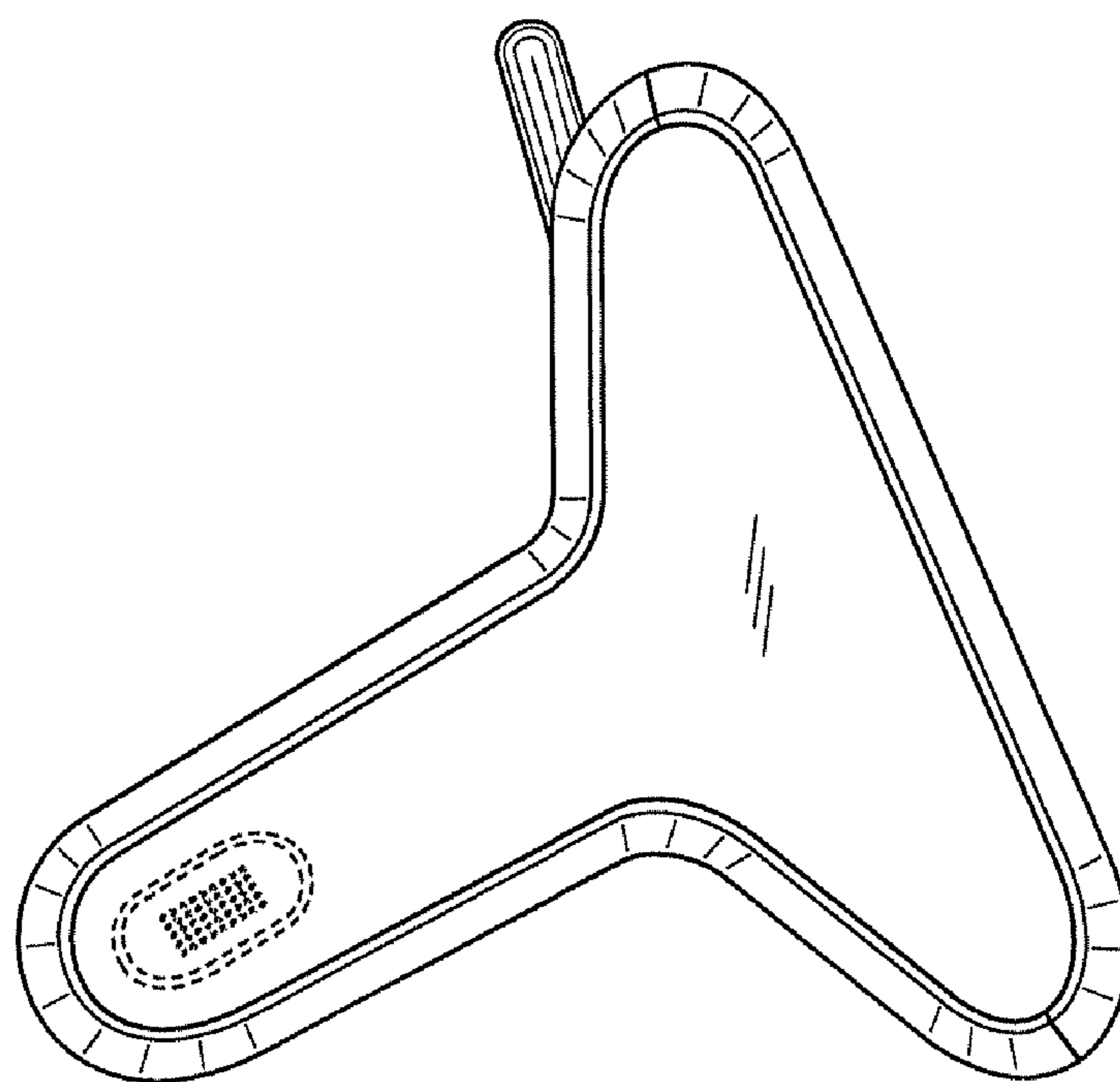


FIG. 7