



US00D659577S

(12) **United States Design Patent**  
**Kittleson et al.**

(10) **Patent No.:** **US D659,577 S**

(45) **Date of Patent:** **\*\* May 15, 2012**

(54) **HANDHELD COMBUSTIBLE GAS  
DETECTOR**

(75) Inventors: **Travis J. Kittleson**, Mankato, MN (US);  
**Scott Peder Opsahl**, Lakeville, MN  
(US)

(73) Assignee: **SPX Corporation**, Charlotte, NC (US)

(\*\*) Term: **14 Years**

(21) Appl. No.: **29/378,049**

(22) Filed: **Oct. 28, 2010**

(51) **LOC (9) Cl.** ..... **10-04**

(52) **U.S. Cl.** ..... **D10/81; D10/78**

(58) **Field of Classification Search** ..... D10/78,  
D10/81; 73/31.02, 31.03, 31.05, 431; 324/693  
See application file for complete search history.

(56) **References Cited**

**U.S. PATENT DOCUMENTS**

D330,521 S *	10/1992	Krolopp	.....	D10/81
7,802,472 B1 *	9/2010	Richer et al.	.....	73/431
2006/0010974 A1 *	1/2006	Koyano et al.	.....	73/431

\* cited by examiner

*Primary Examiner* — Antoine D Davis

(74) *Attorney, Agent, or Firm* — Baker & Hostetler LLP

(57) **CLAIM**

The ornamental design for the handheld combustible gas detector, as shown and described.

**DESCRIPTION**

FIG. 1 is a perspective view of a handheld combustible gas detector;

FIG. 2 is a front view of the handheld combustible gas detector;

FIG. 3 is a rear view of the handheld combustible gas detector;

FIG. 4 is a left side view of the handheld combustible gas detector;

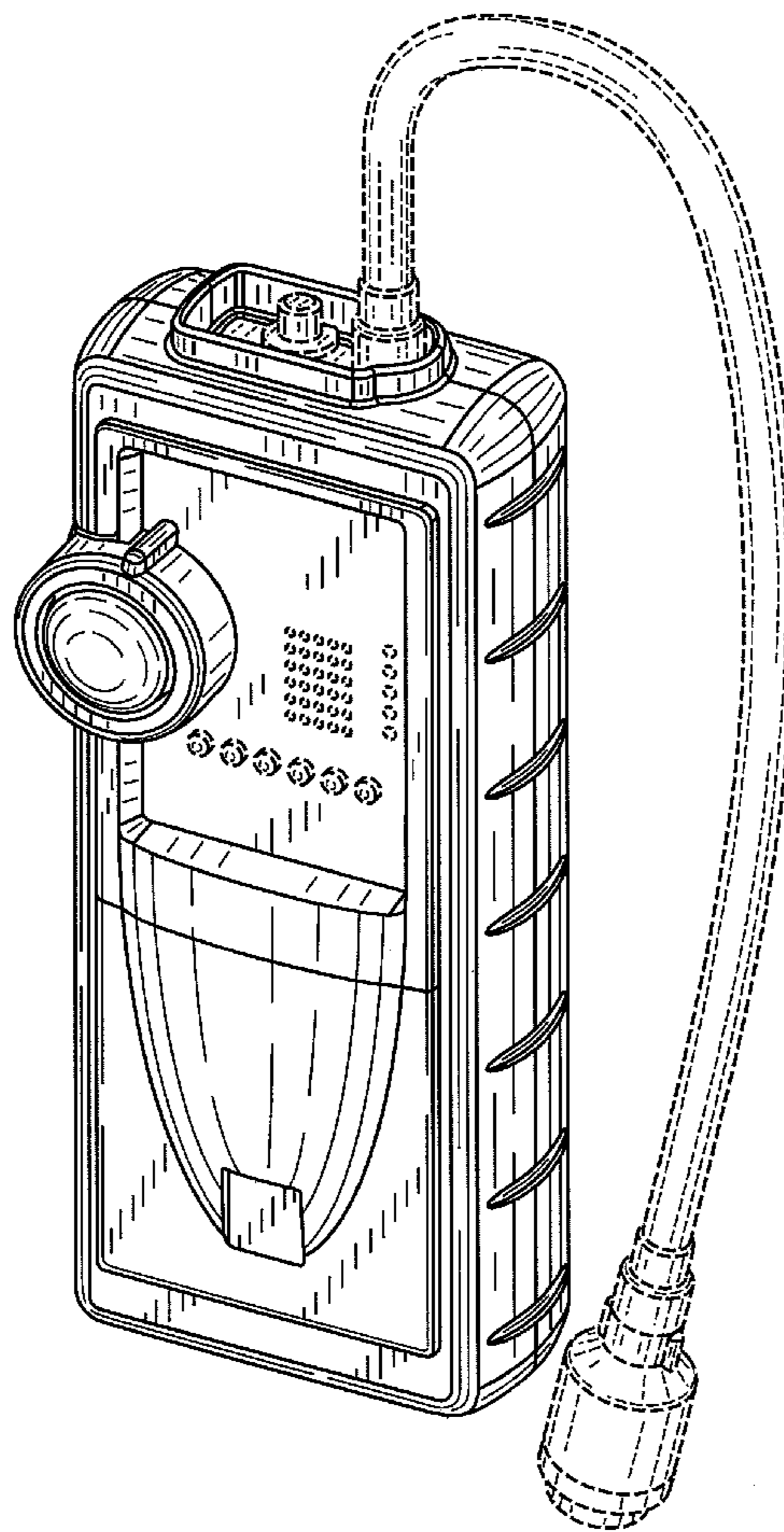
FIG. 5 is a right side view of the handheld combustible gas detector;

FIG. 6 is a top view of the handheld combustible gas detector;

and,  
FIG. 7 is a bottom view of the handheld combustible gas detector.

The broken lines shown in the drawings illustrate environmental structure and from no part of the claimed design.

**1 Claim, 7 Drawing Sheets**



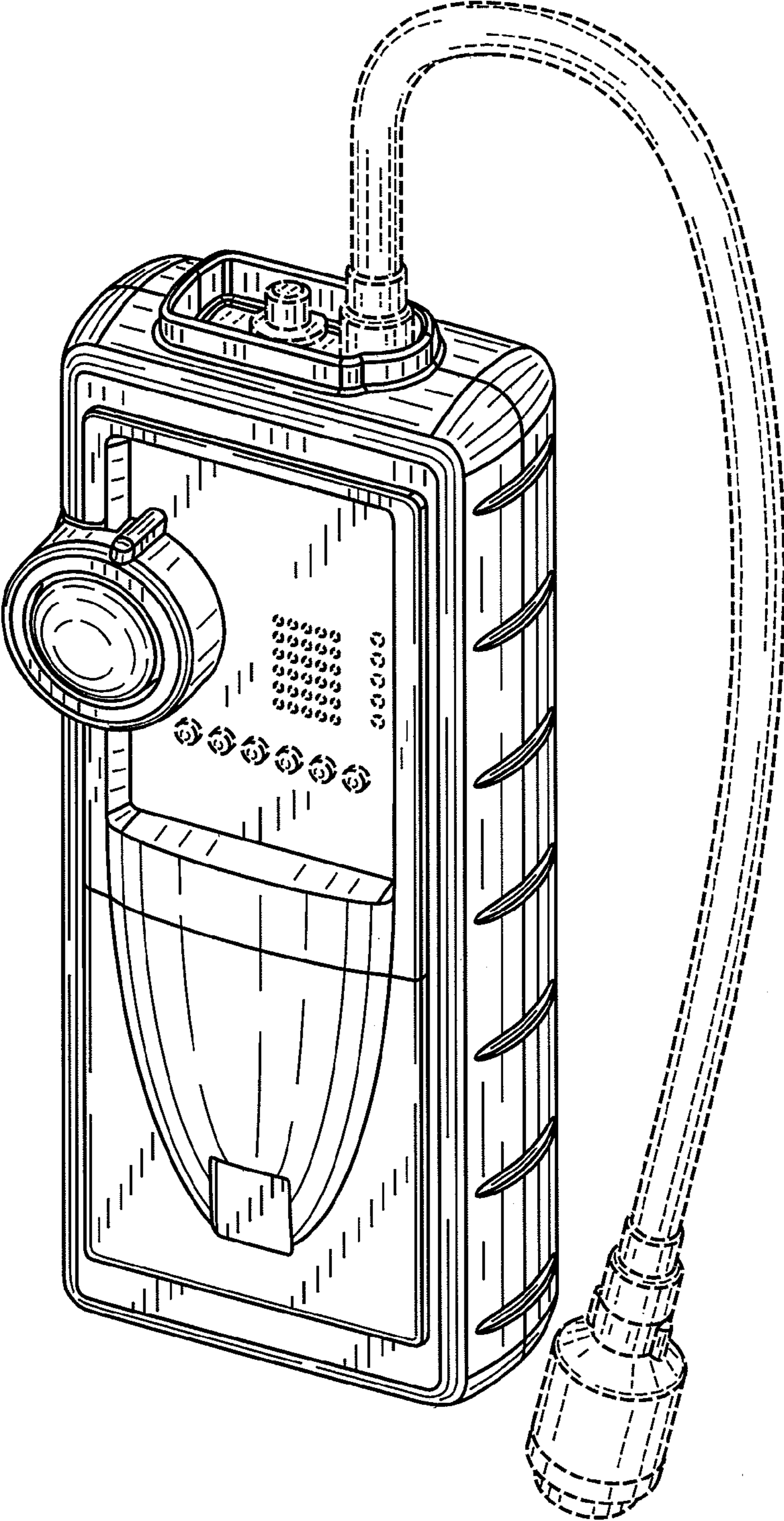


FIG. 1

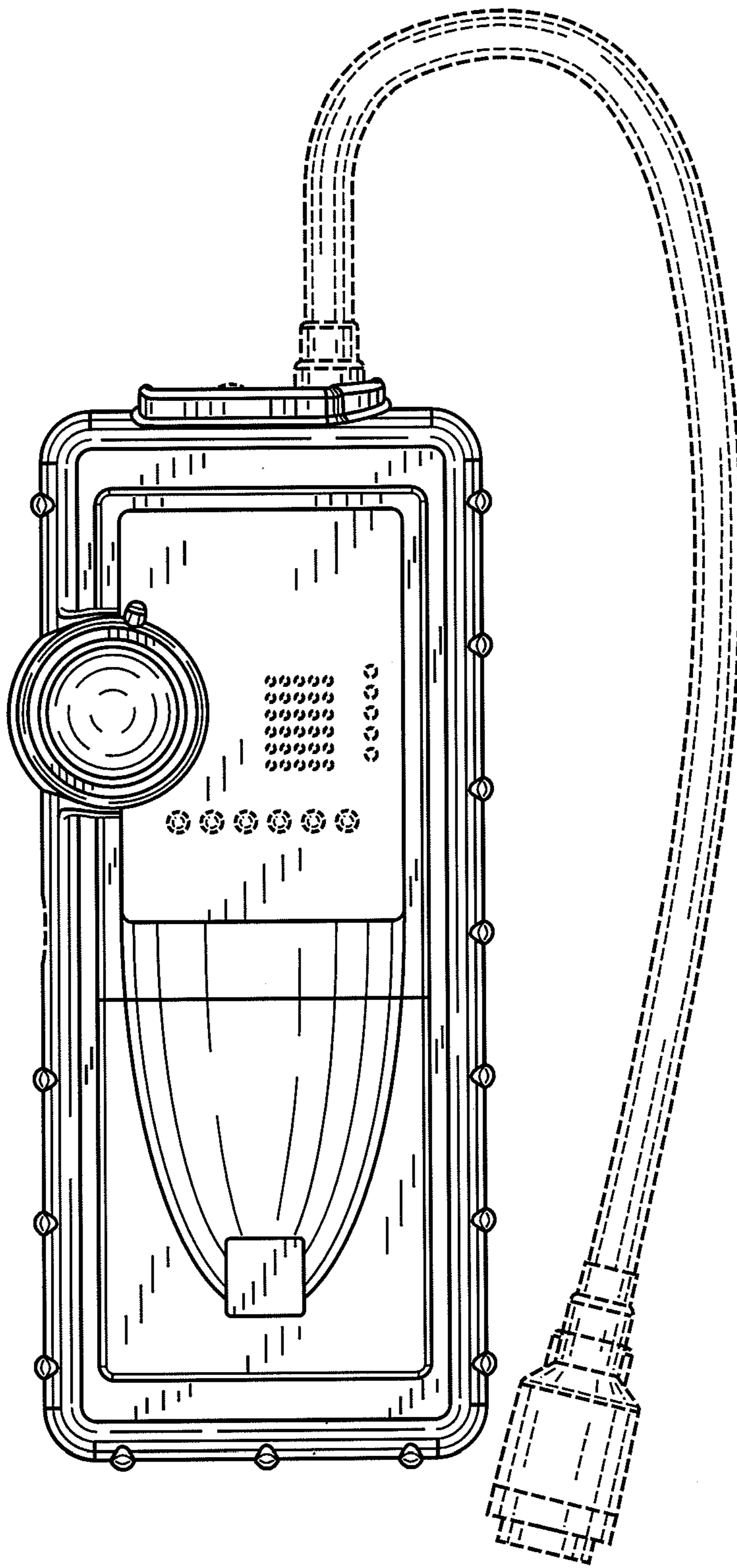


FIG. 2



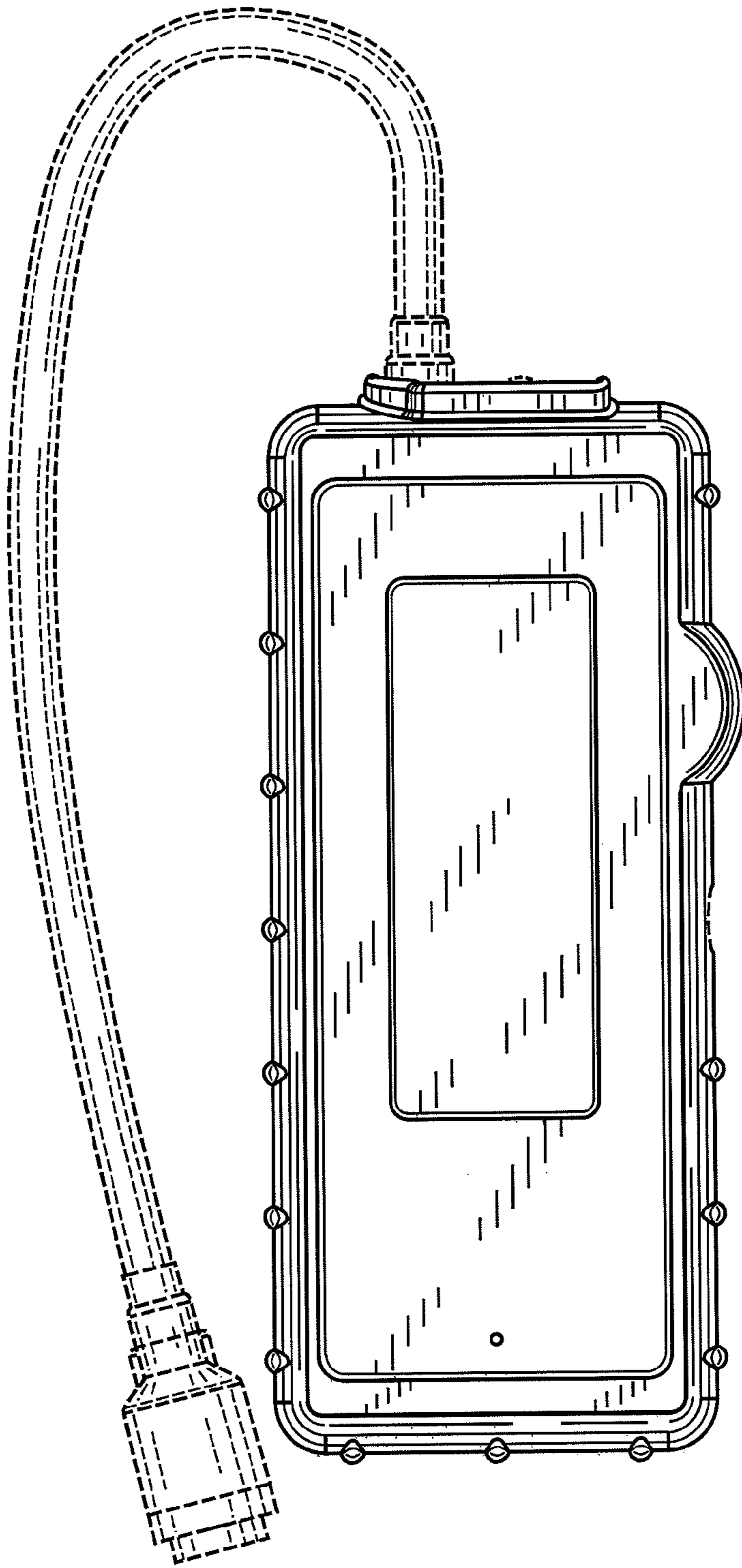


FIG. 3

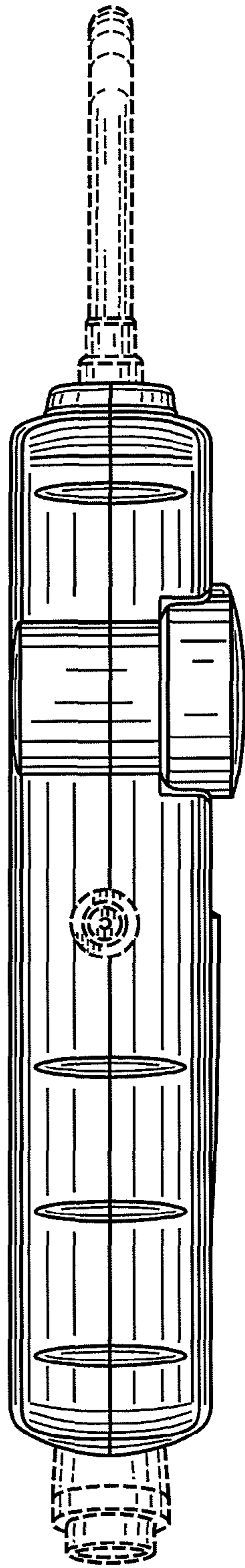


FIG. 4

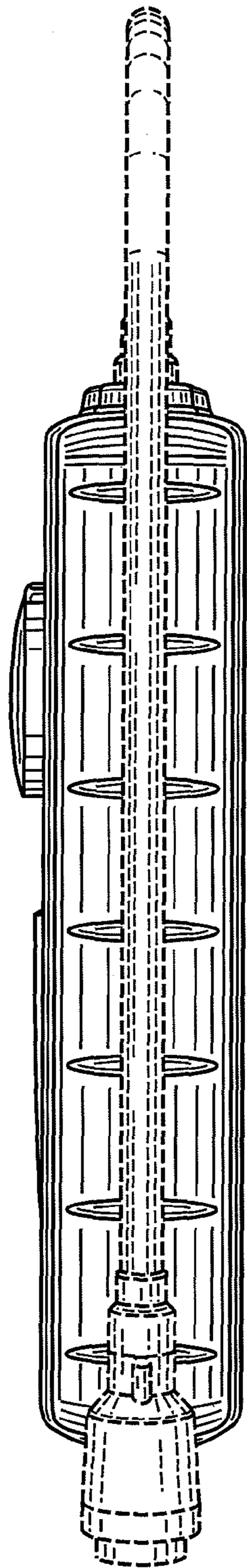


FIG. 5

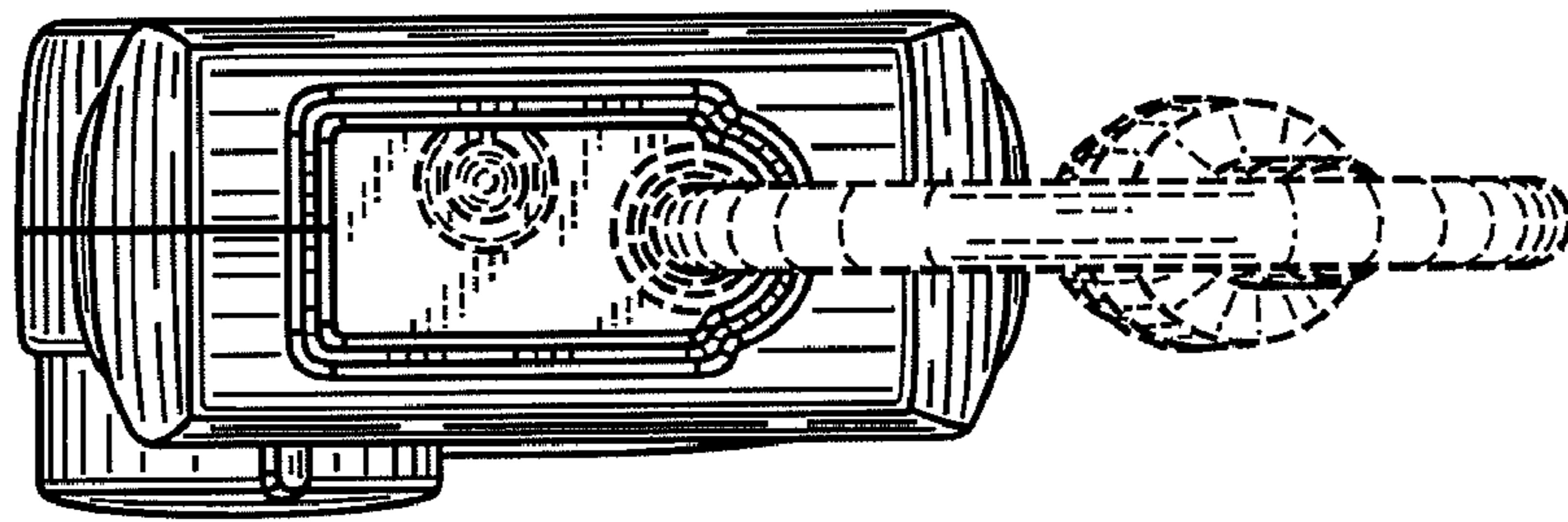


FIG. 6

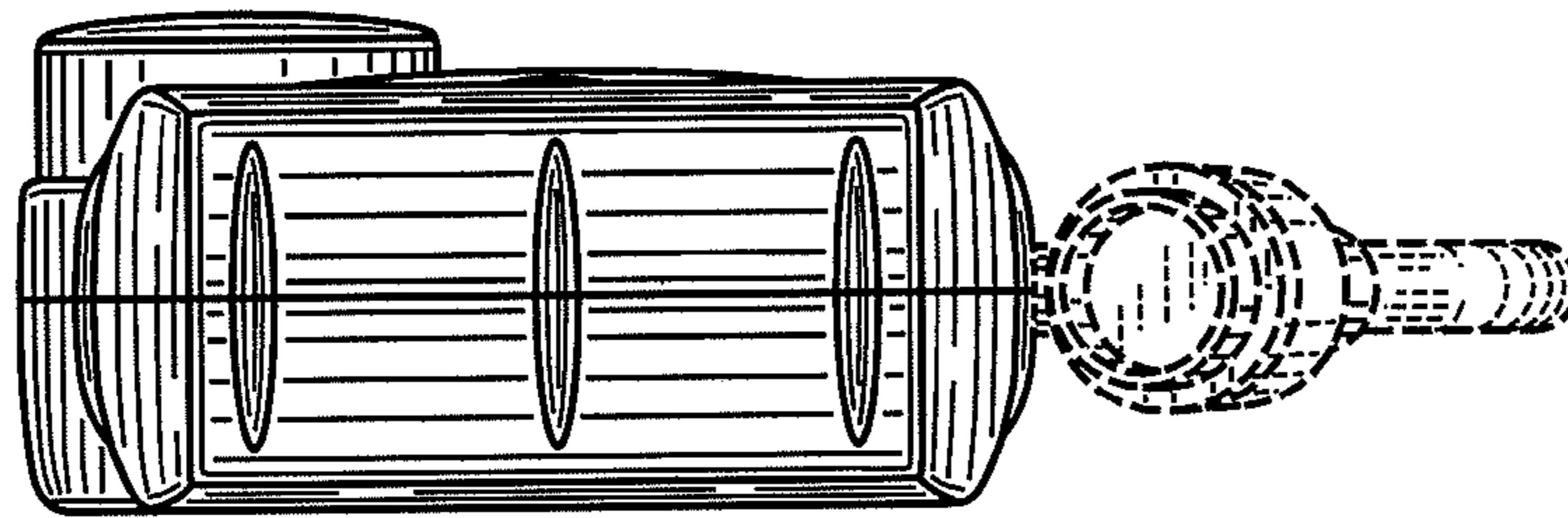


FIG. 7