



US00D659575S

(12) **United States Design Patent**  
**Matsumiya et al.**

(10) **Patent No.:** **US D659,575 S**

(45) **Date of Patent:** **\*\* May 15, 2012**

(54) **MEASURING HEAD**

(75) Inventors: **Sadayuki Matsumiya**, Kawasaki (JP);  
**Shuichi Kamiyama**, Kawasaki (JP);  
**Tomoyuki Miyazaki**, Kawasaki (JP);  
**Shigeru Ohtani**, Kawasaki (JP); **Yoshiro Asano**, Tokyo (JP)

(73) Assignee: **Mitutoyo Corporation**, Kawasaki-shi (JP)

(\*\*) Term: **14 Years**

(21) Appl. No.: **29/401,976**

(22) Filed: **Sep. 19, 2011**

(30) **Foreign Application Priority Data**

Apr. 22, 2011 (JP) ..... 2011-009407  
Aug. 2, 2011 (JP) ..... 2011-017757

(51) **LOC (9) Cl.** ..... **10-04**

(52) **U.S. Cl.** ..... **D10/74**

(58) **Field of Classification Search** ..... D10/74;  
33/359-360, DIG. 3; 356/601-640  
See application file for complete search history.

(56) **References Cited**

U.S. PATENT DOCUMENTS

D327,854 S \* 7/1992 Bennett ..... D10/74  
D472,170 S \* 3/2003 Reymond ..... D10/74

\* cited by examiner

*Primary Examiner* — Antoine D Davis

(74) *Attorney, Agent, or Firm* — Oliff & Berridge, PLC

(57) **CLAIM**

We claim the ornamental design for a measuring head, as shown and described.

**DESCRIPTION**

FIG. 1 is a front perspective view of one embodiment of a measuring head showing our new design;

FIG. 2 is a front view thereof;

FIG. 3 is a rear view thereof;

FIG. 4 is a left-side view thereof;

FIG. 5 is a right-side view thereof;

FIG. 6 is a top view thereof; and

FIG. 7 is a bottom view thereof.

FIG. 8 is a front perspective view of another embodiment of a measuring head showing our new design;

FIG. 9 is a front view thereof;

FIG. 10 is a rear view thereof;

FIG. 11 is a left-side view thereof;

FIG. 12 is a right-side view thereof;

FIG. 13 is a top view thereof; and,

FIG. 14 is a bottom view thereof.

The broken lines depict environmental subject matter only and form no part of the claimed design.

**1 Claim, 14 Drawing Sheets**

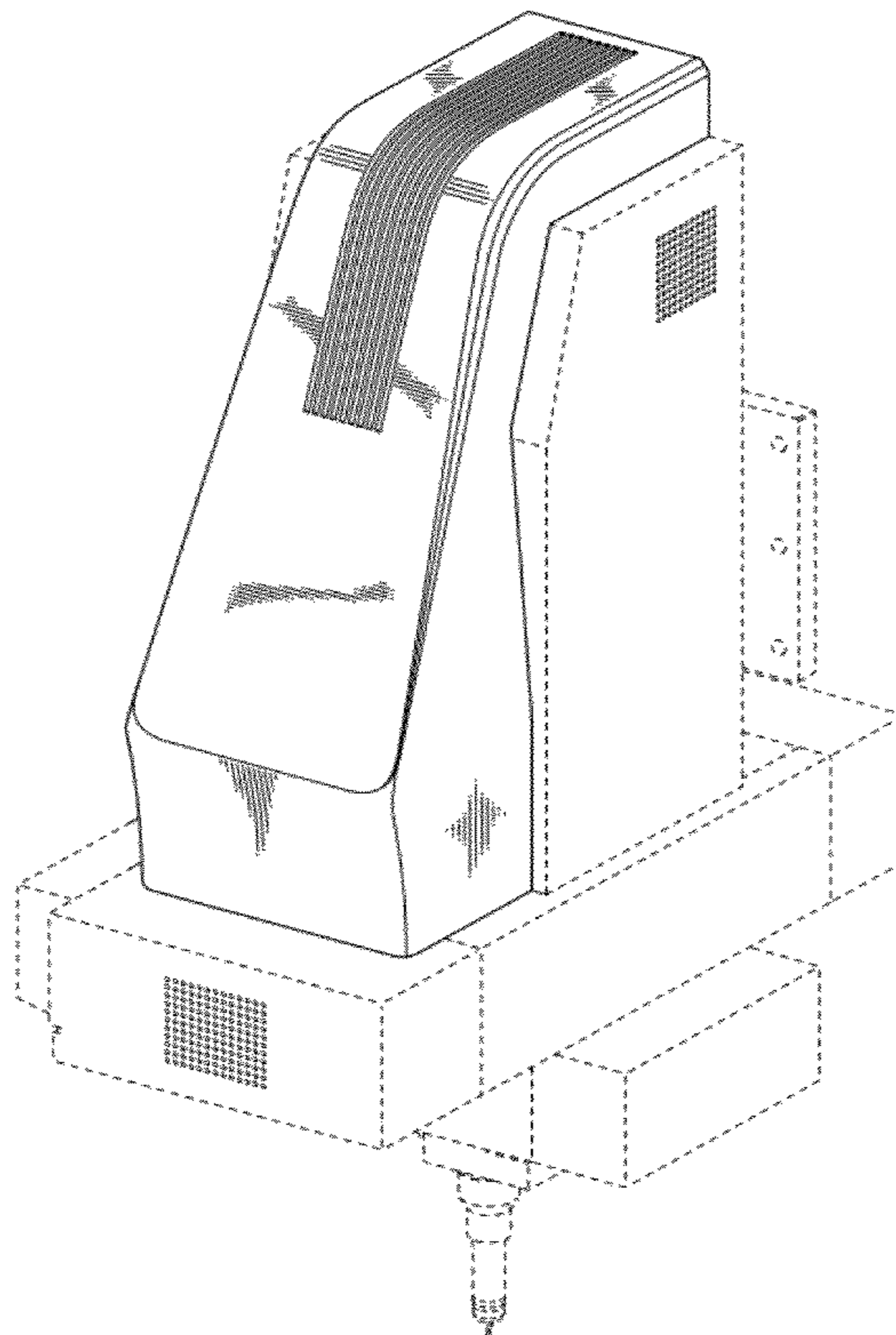


FIG. 1

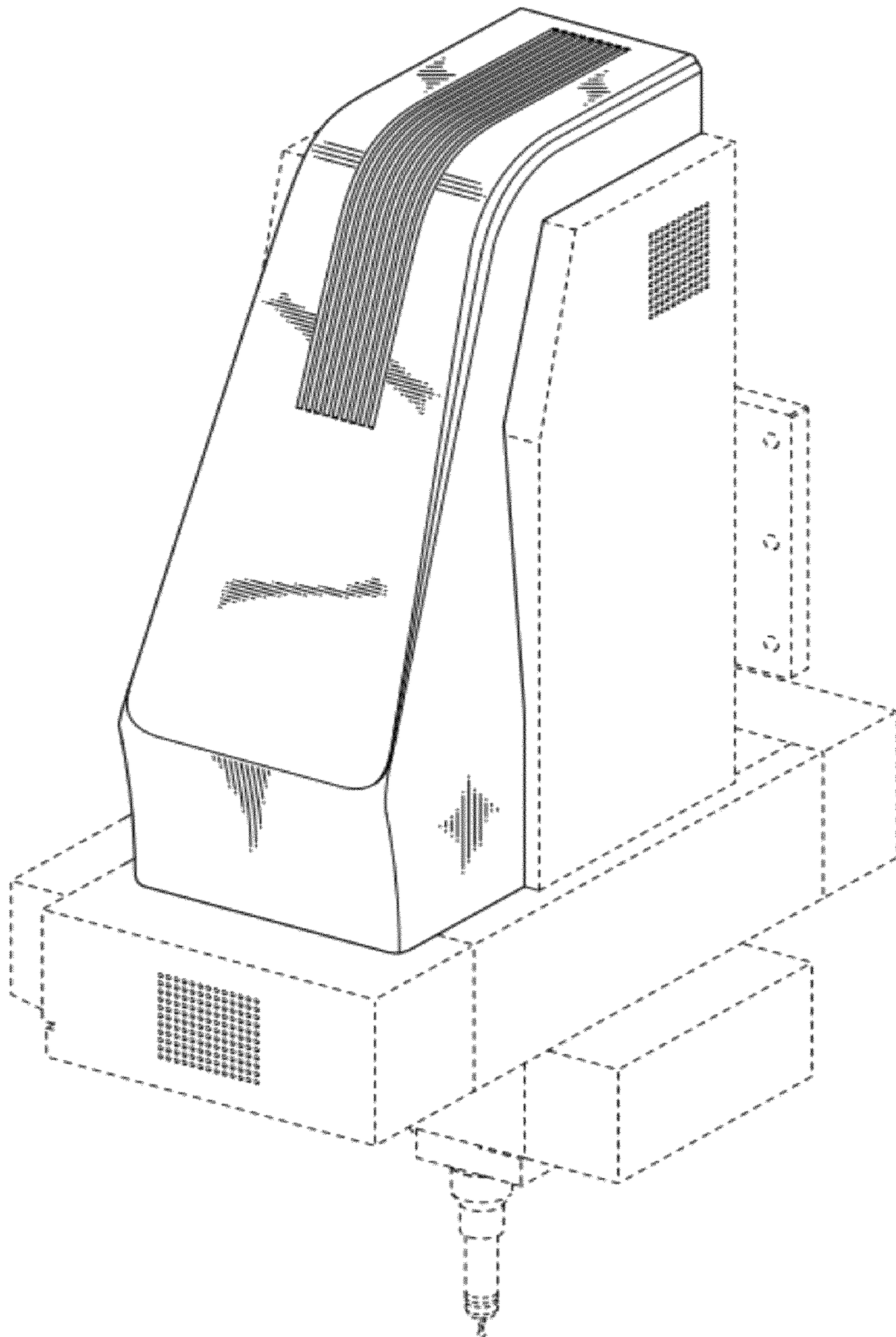


FIG. 2

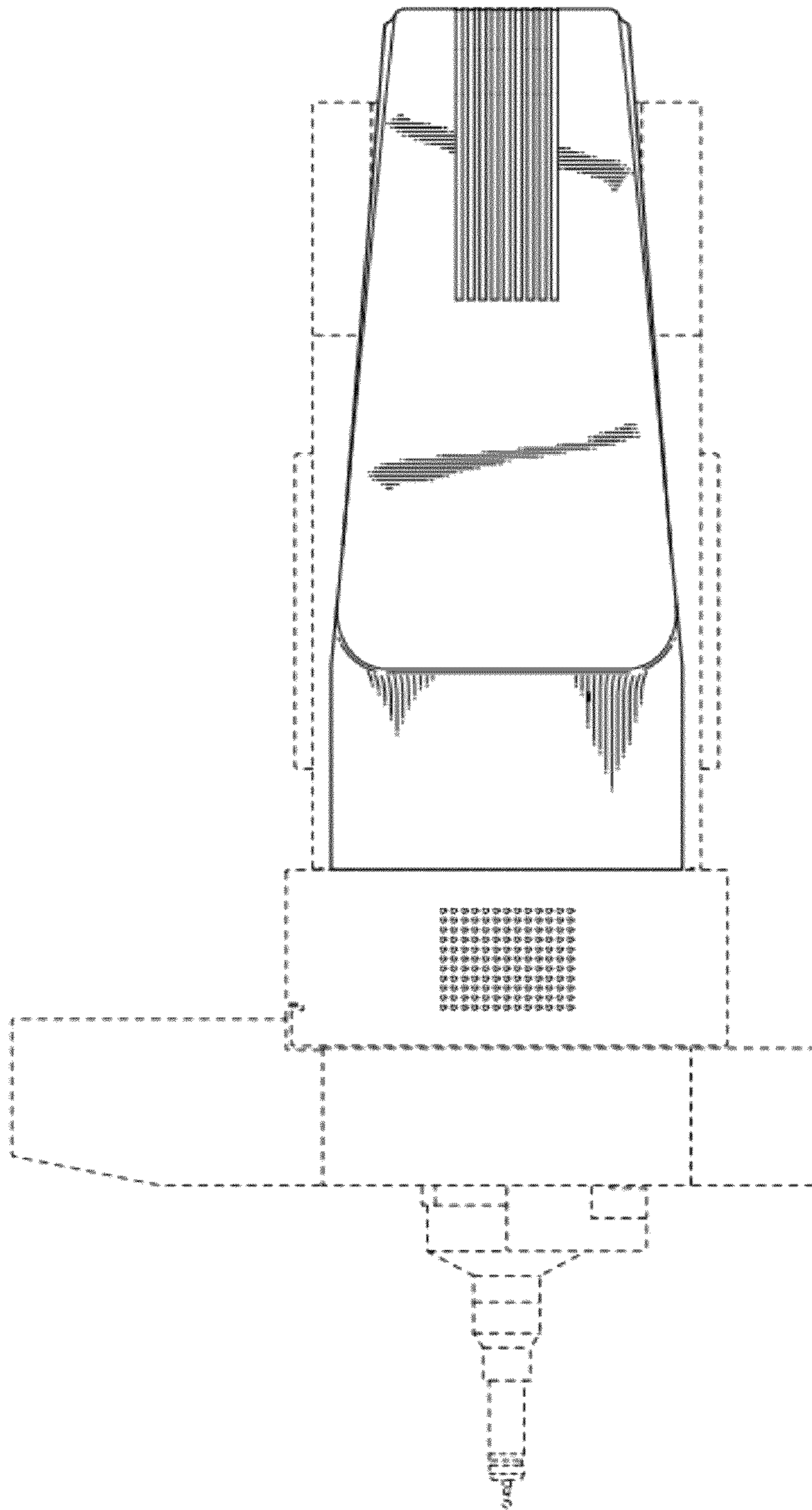


FIG. 3

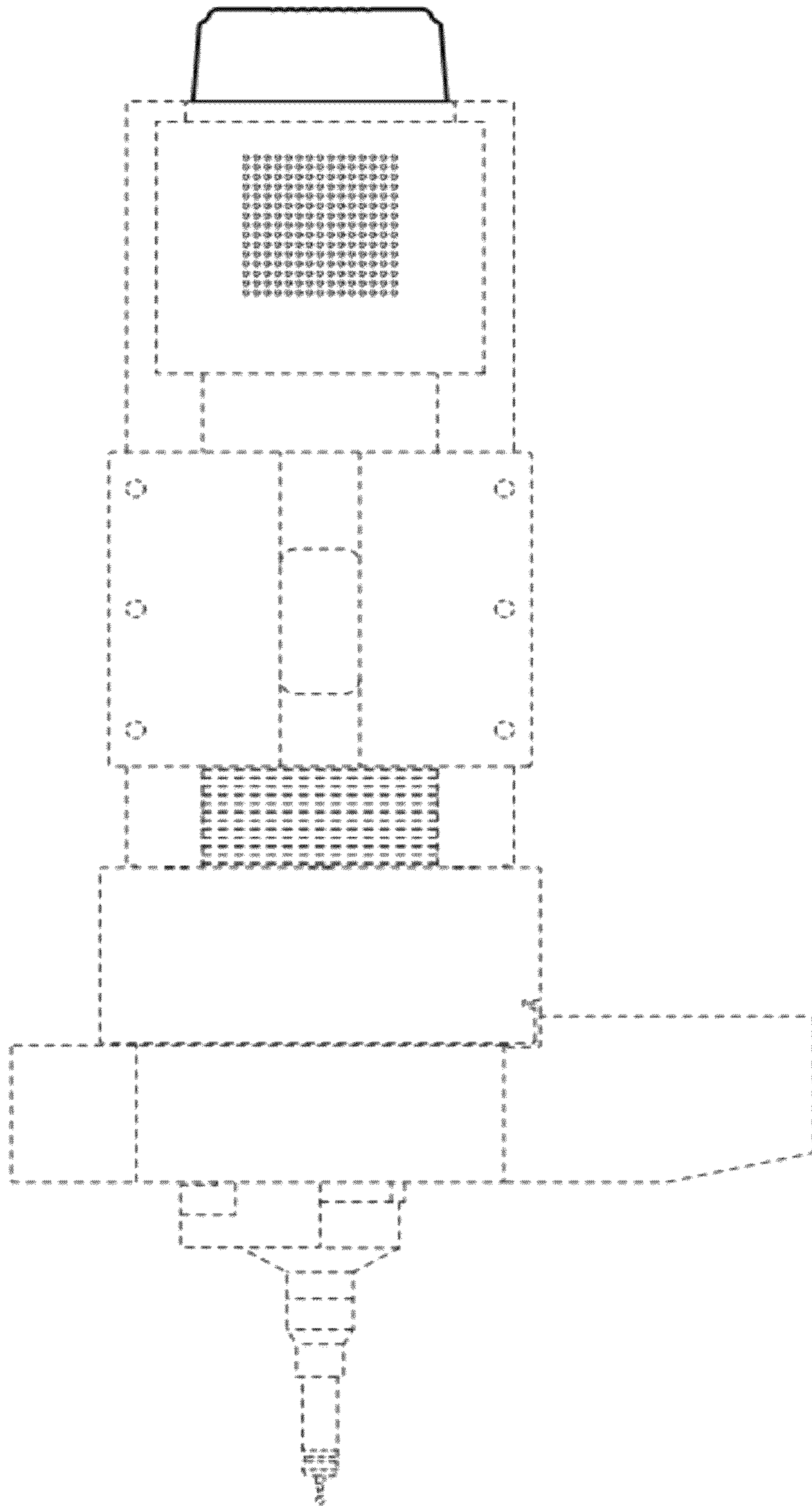


FIG. 4

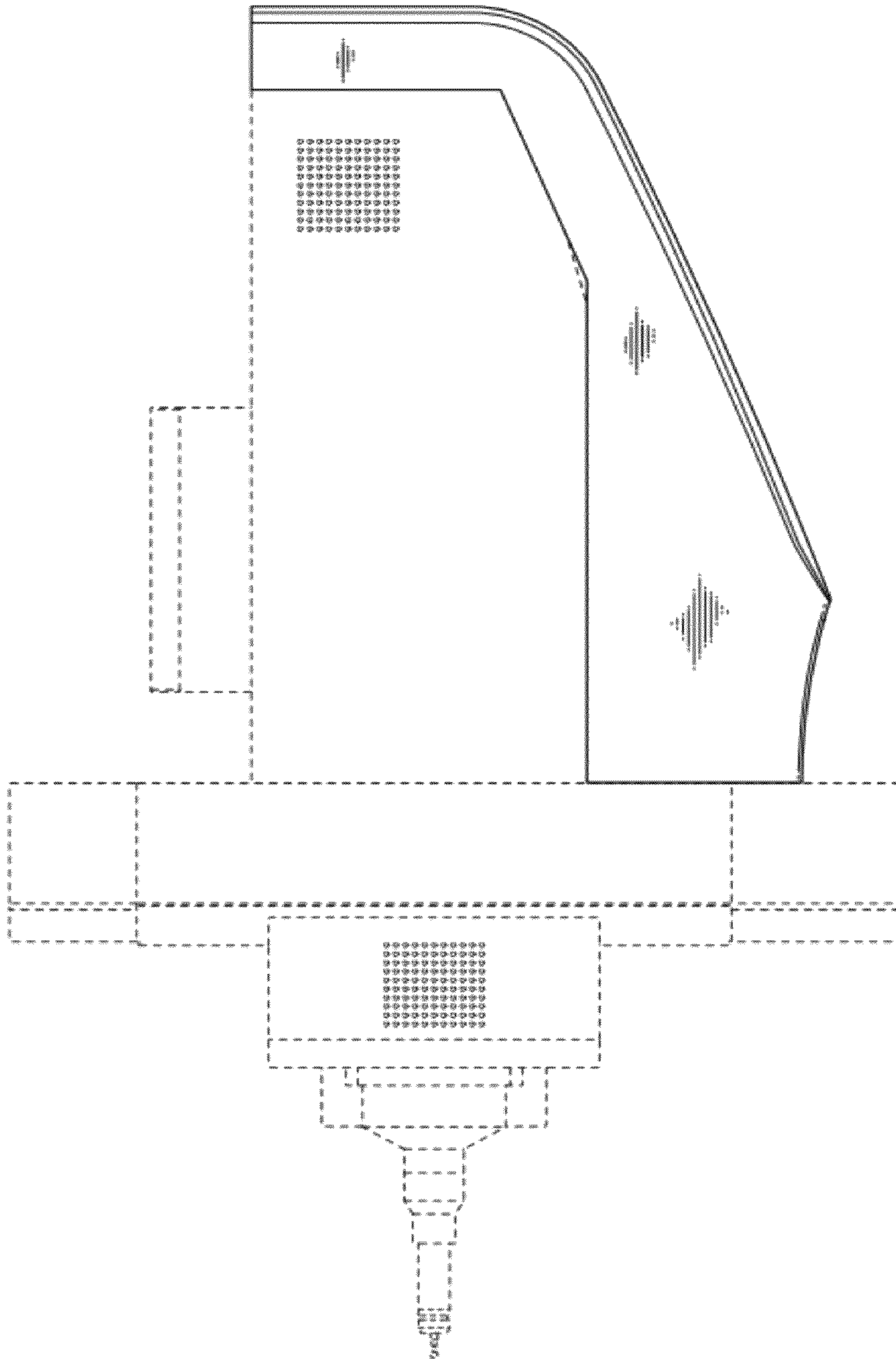


FIG. 5

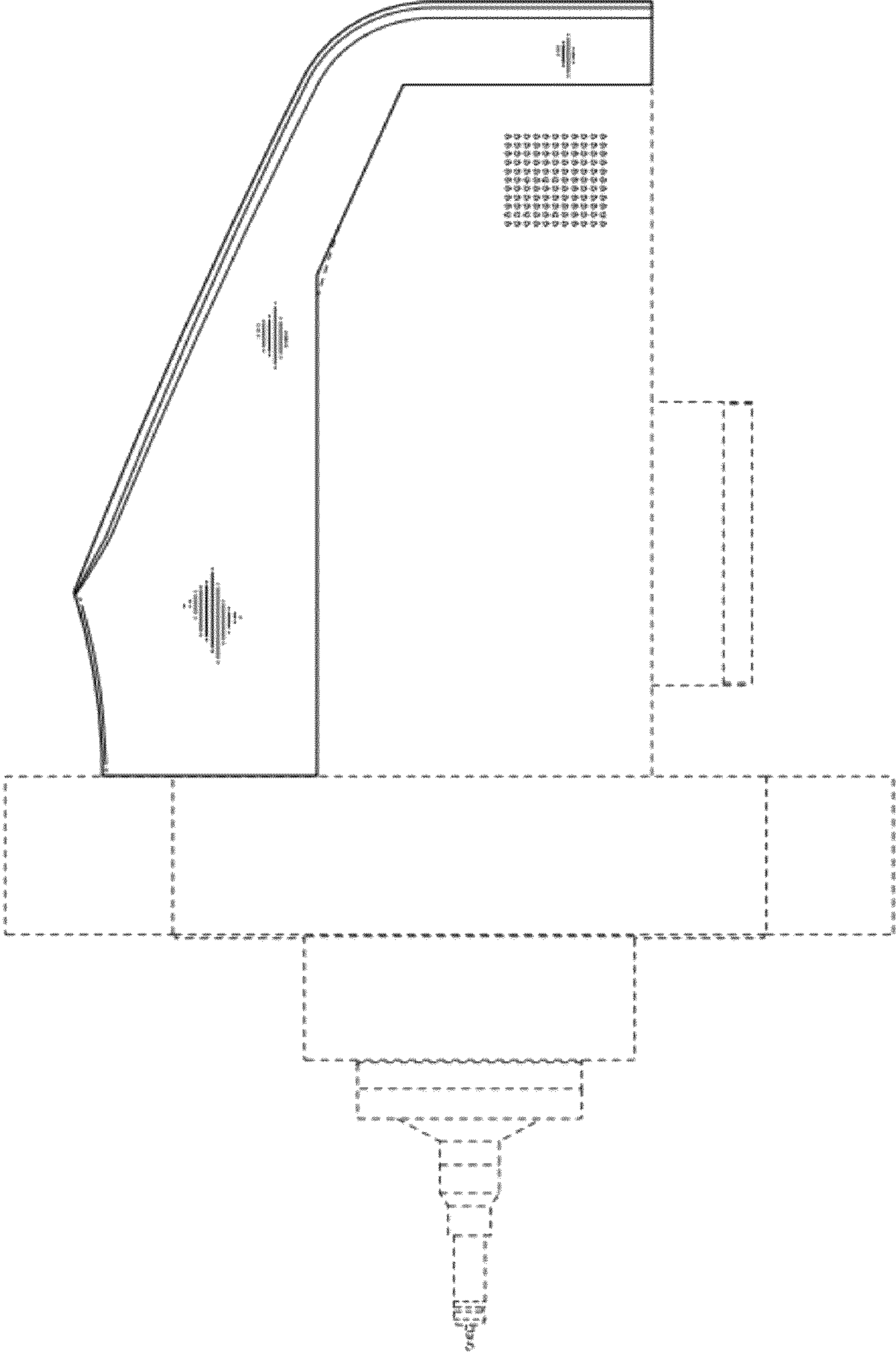


FIG. 6

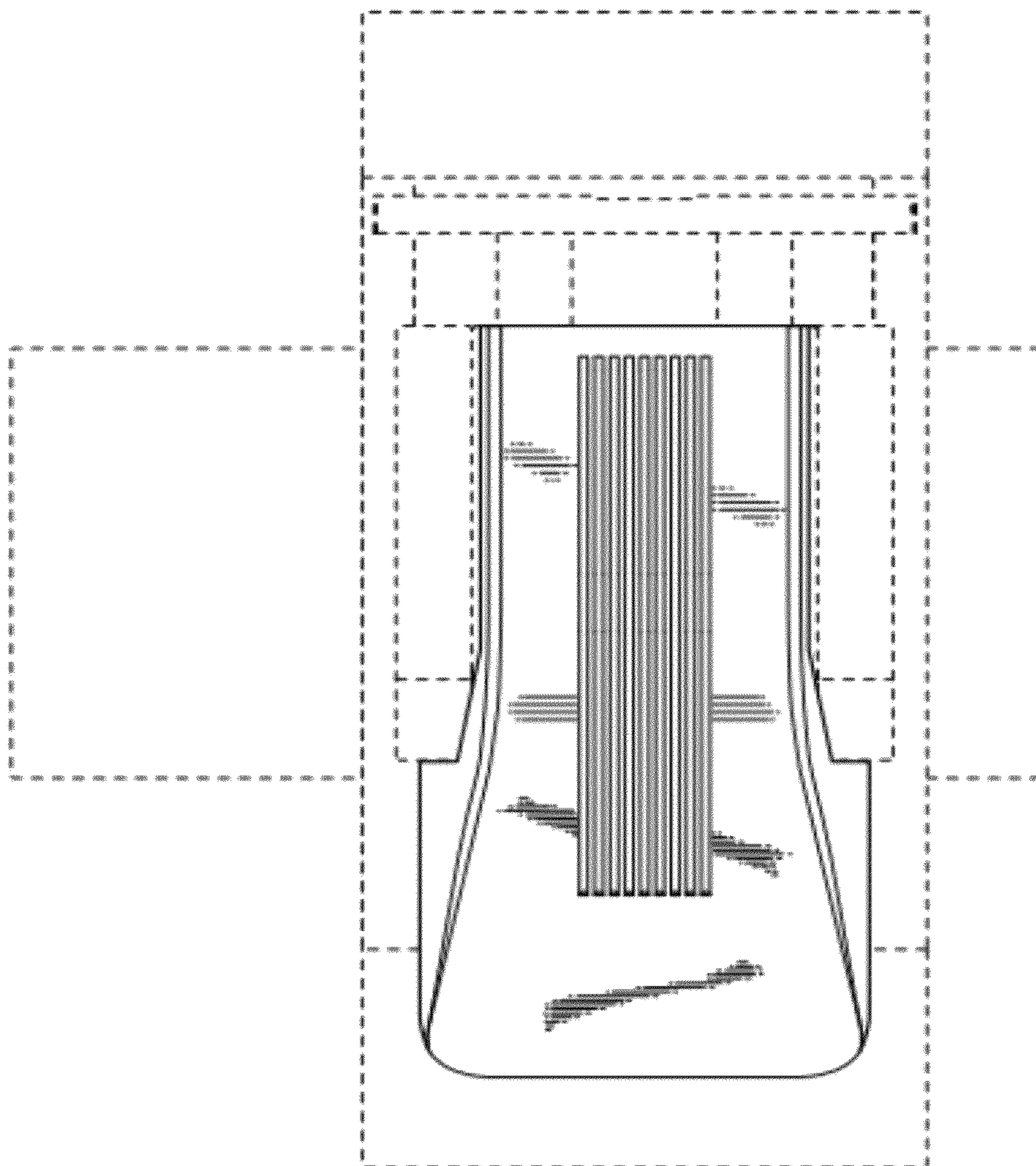


FIG. 7

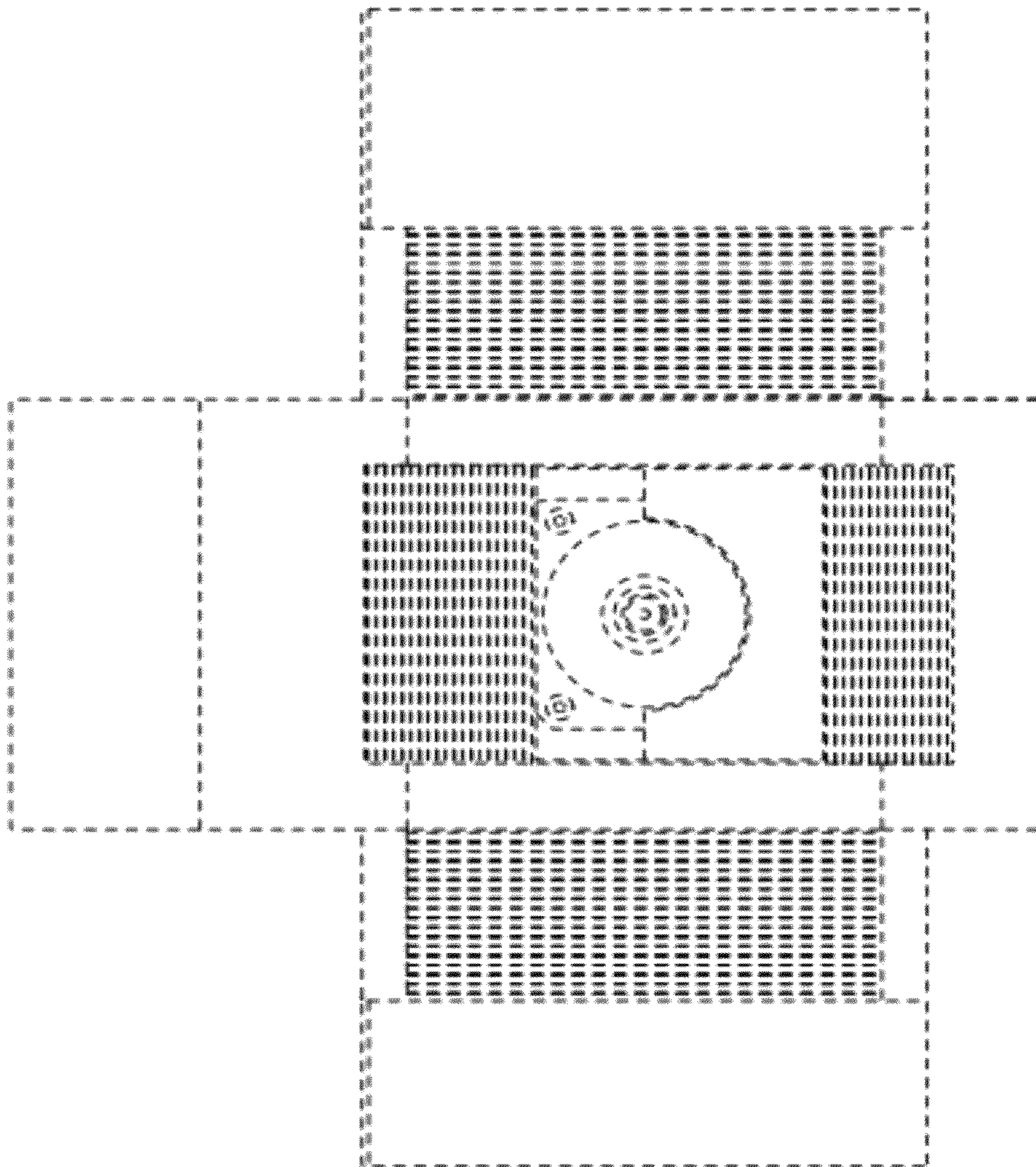




FIG. 8

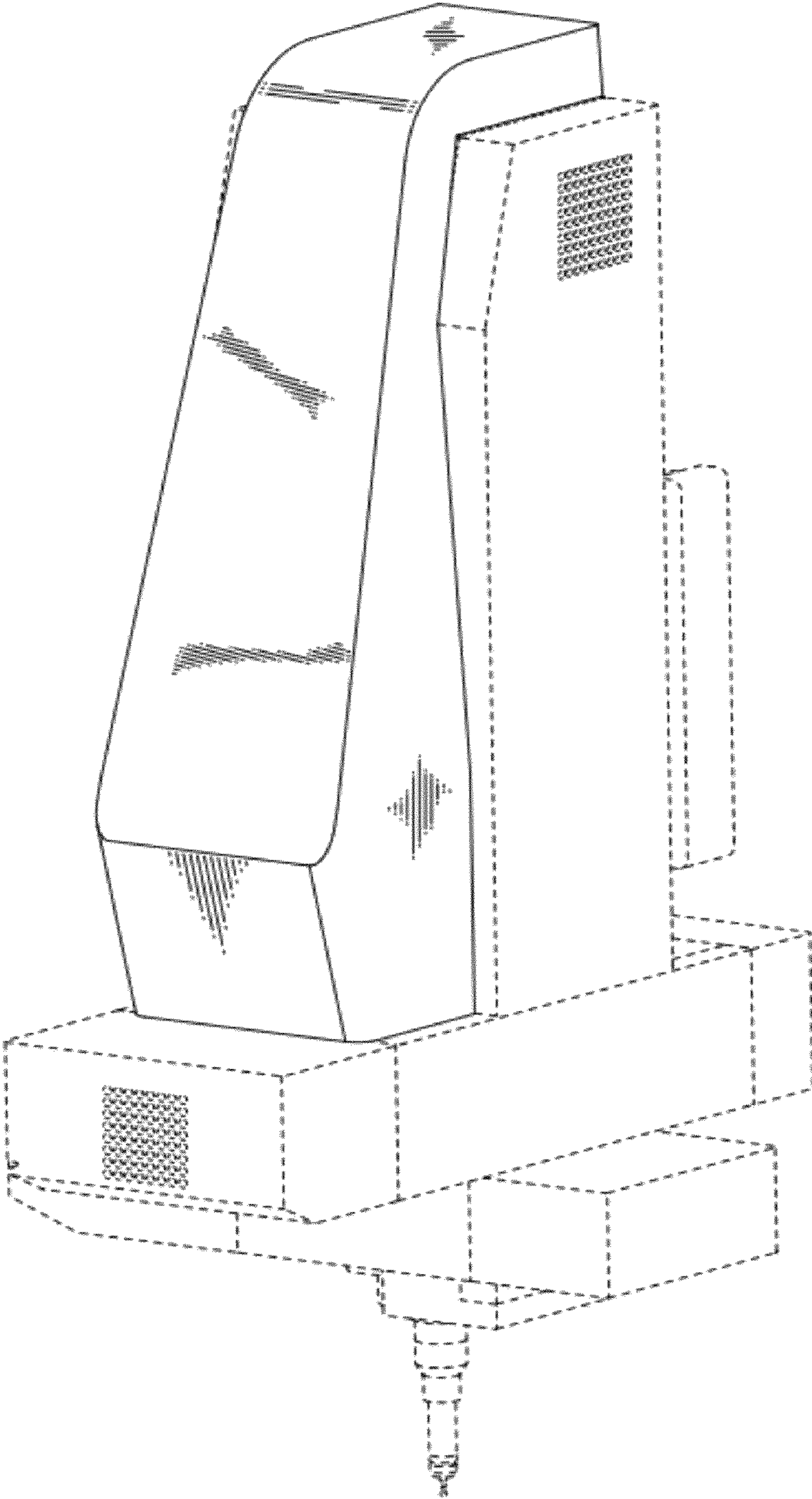


FIG. 9

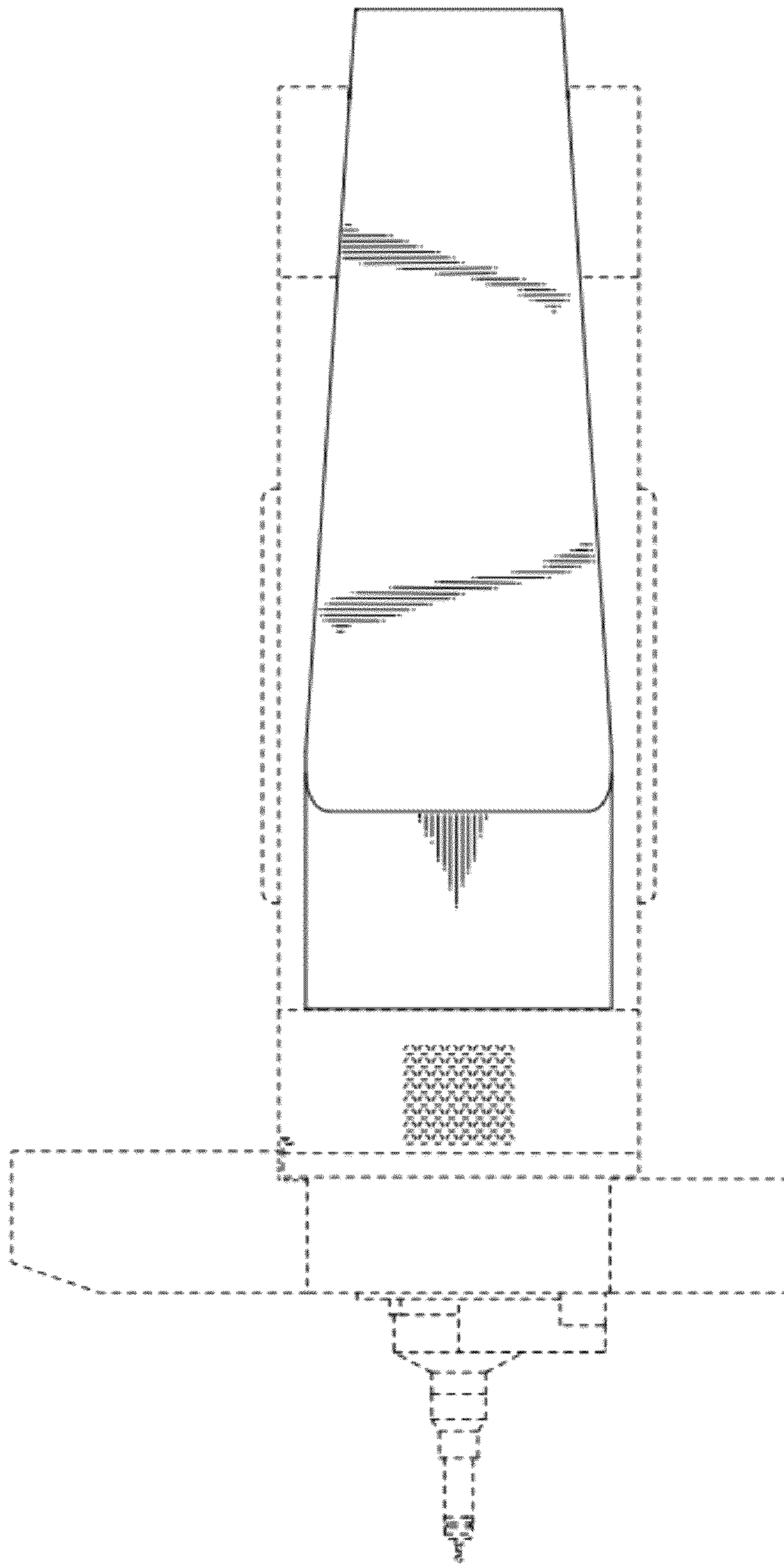


FIG. 10

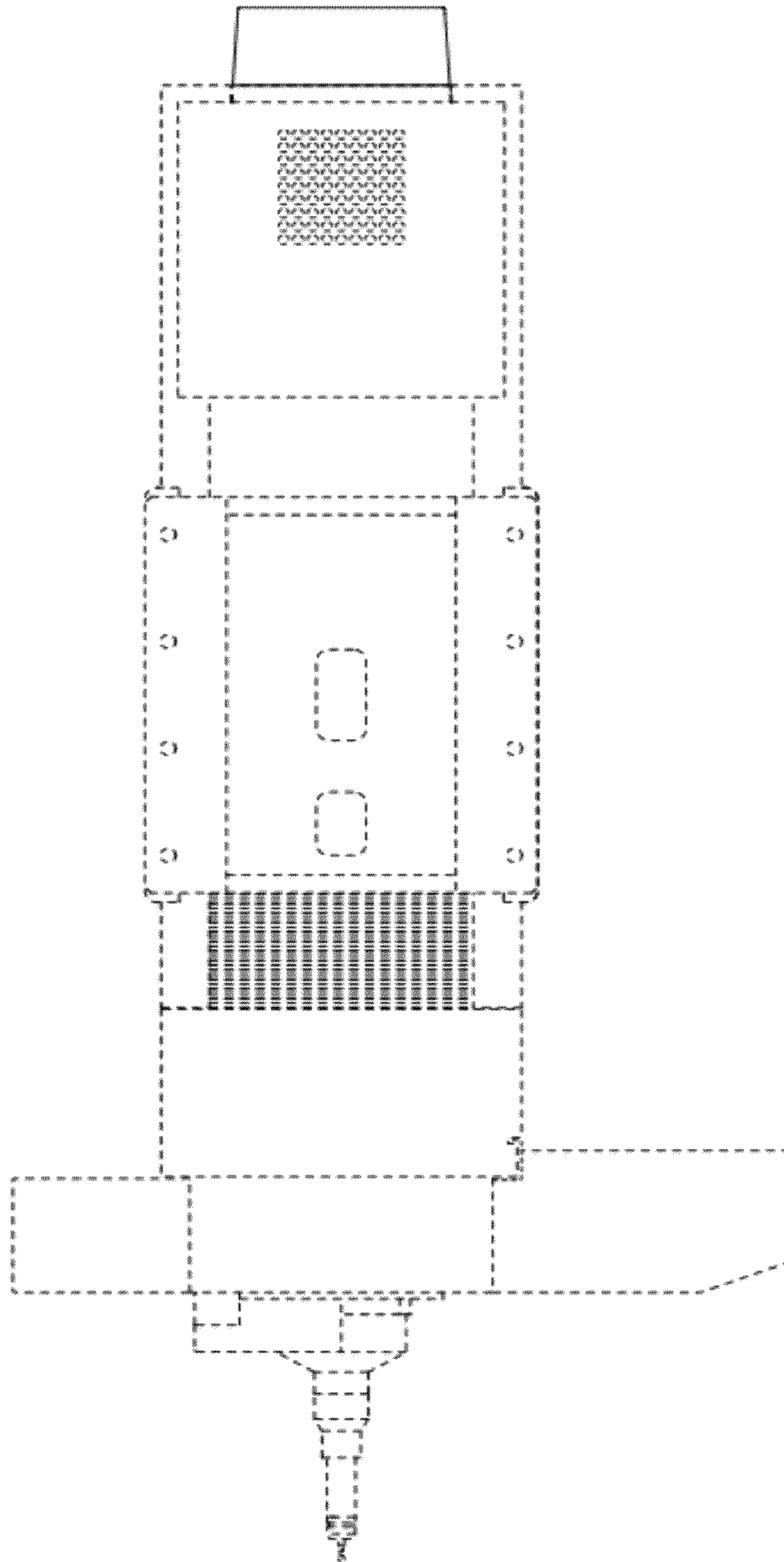


FIG. 11

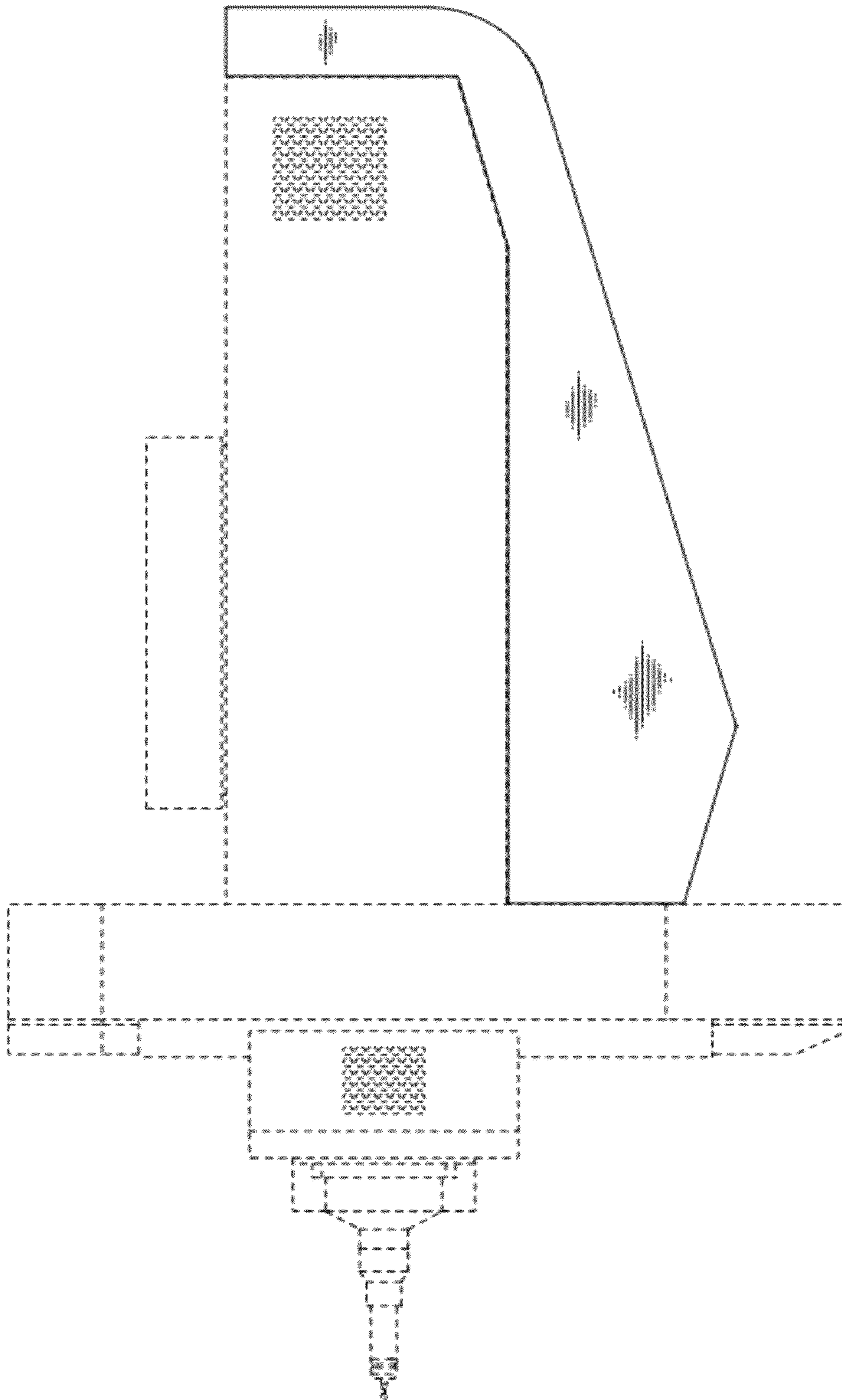
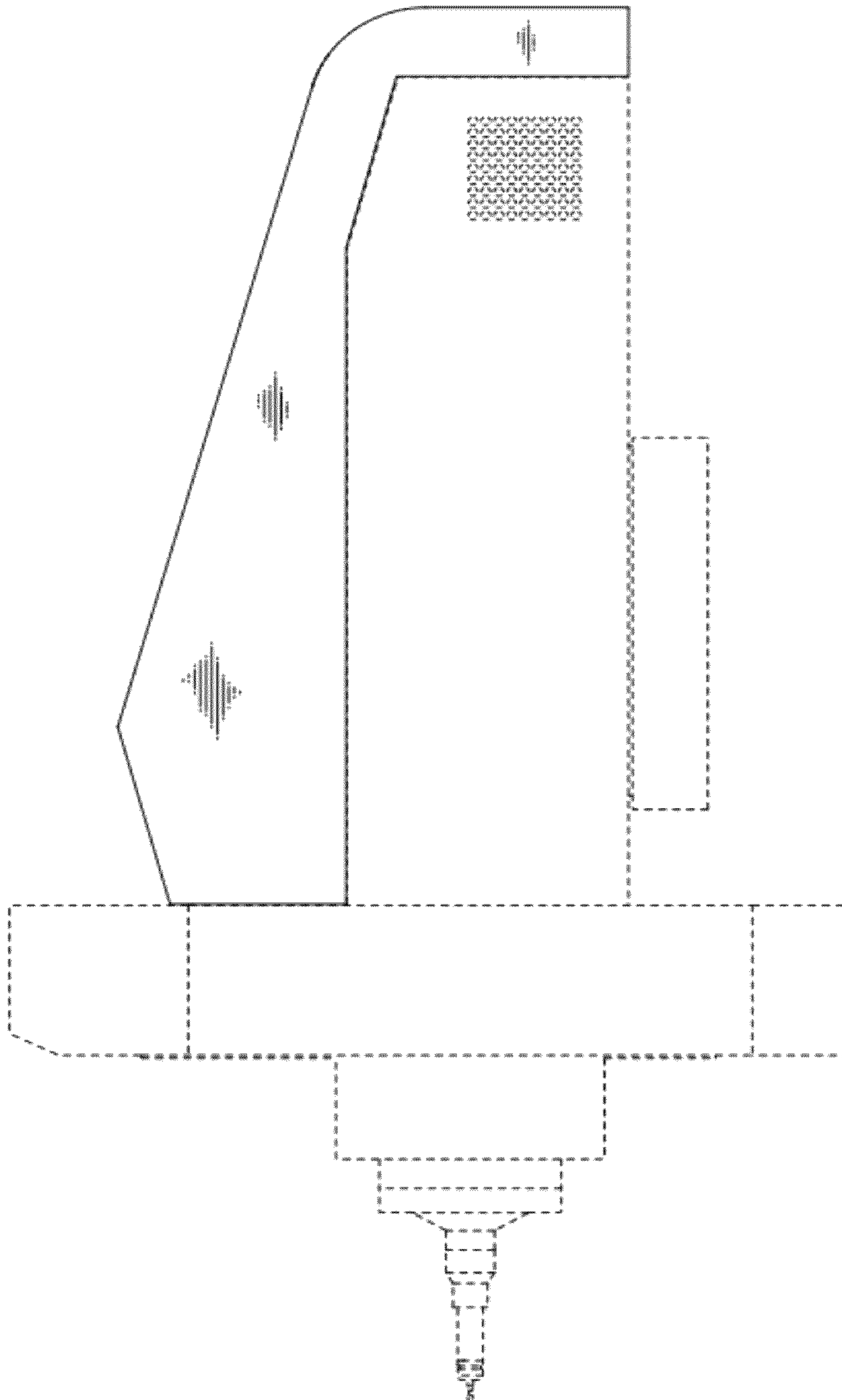


FIG. 12



# FIG. 13

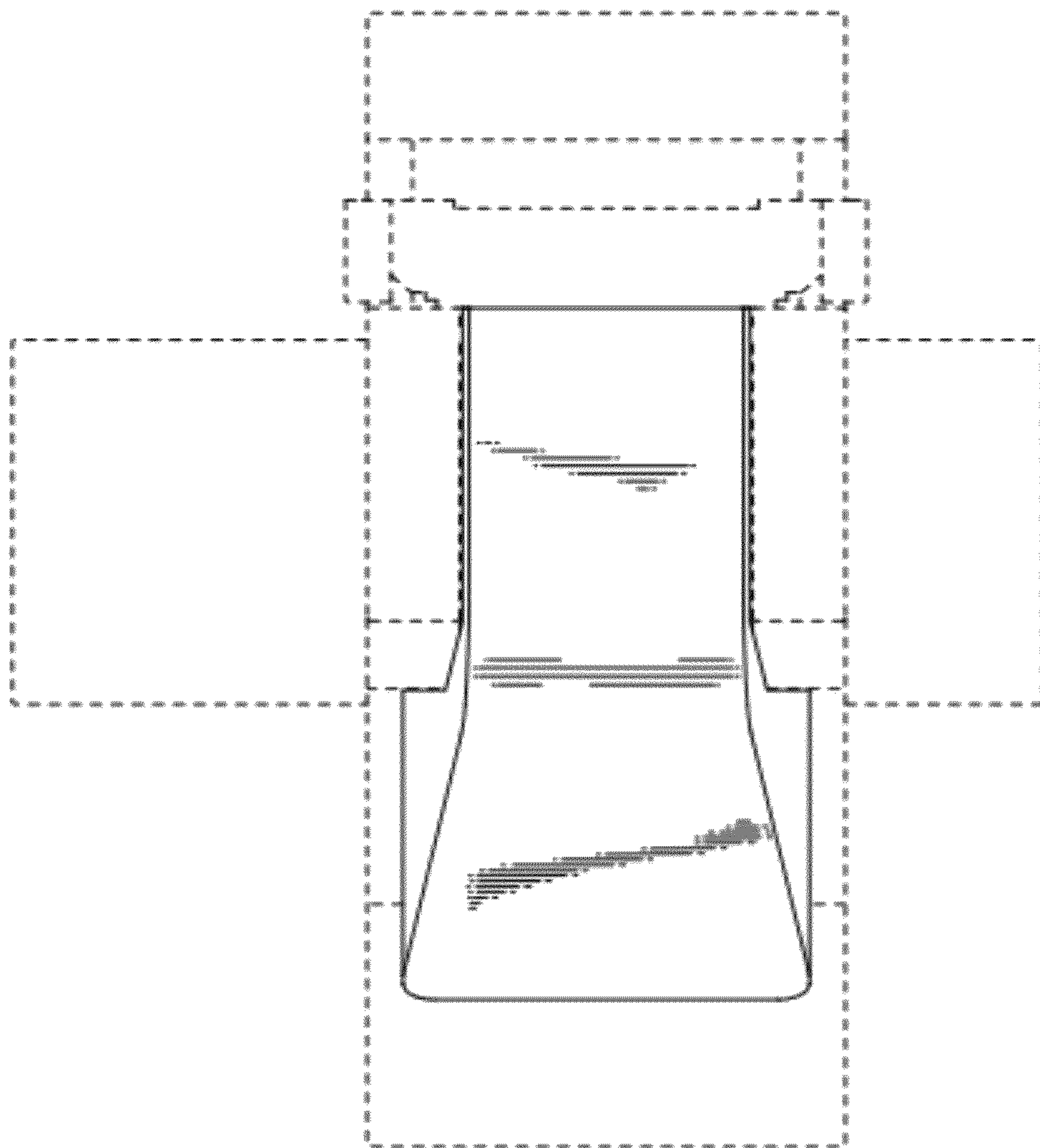


FIG. 14

