



US00D659574S

(12) **United States Design Patent**
Matsumiya et al.

(10) **Patent No.:** **US D659,574 S**
(45) **Date of Patent:** **** May 15, 2012**

(54) **MEASURING HEAD**

(75) Inventors: **Sadayuki Matsumiya**, Kawasaki (JP);
Shuichi Kamiyama, Kawasaki (JP);
Tomoyuki Miyazaki, Kawasaki (JP);
Shigeru Ohtani, Kawasaki (JP); **Yoshiro Asano**, Tokyo (JP)

(73) Assignee: **Mitutoyo Corporation**, Kawasaki-shi (JP)

(**) Term: **14 Years**

(21) Appl. No.: **29/401,966**

(22) Filed: **Sep. 19, 2011**

(30) **Foreign Application Priority Data**

Apr. 22, 2011 (JP) 2011-009406

(51) **LOC (9) Cl.** **10-04**

(52) **U.S. Cl.** **D10/74**

(58) **Field of Classification Search** D10/74;
33/359-360, DIG. 3; 356/601-640

See application file for complete search history.

(56) **References Cited**

U.S. PATENT DOCUMENTS

D327,854 S * 7/1992 Bennett D10/74
D472,170 S * 3/2003 Reymond D10/74

* cited by examiner

Primary Examiner — Antoine D Davis

(74) *Attorney, Agent, or Firm* — Oliff & Berridge, PLC

(57) **CLAIM**

We claim the ornamental design for a measuring head, as shown and described.

DESCRIPTION

FIG. 1 is a perspective view of a measuring head, showing our new design;

FIG. 2 is a front view thereof;

FIG. 3 is a rear view thereof;

FIG. 4 is a left-side view thereof;

FIG. 5 is a right-side view thereof;

FIG. 6 is a top view thereof; and,

FIG. 7 is a bottom view thereof.

The broken lines depict environmental subject matter only and form no part of the claimed design.

1 Claim, 7 Drawing Sheets

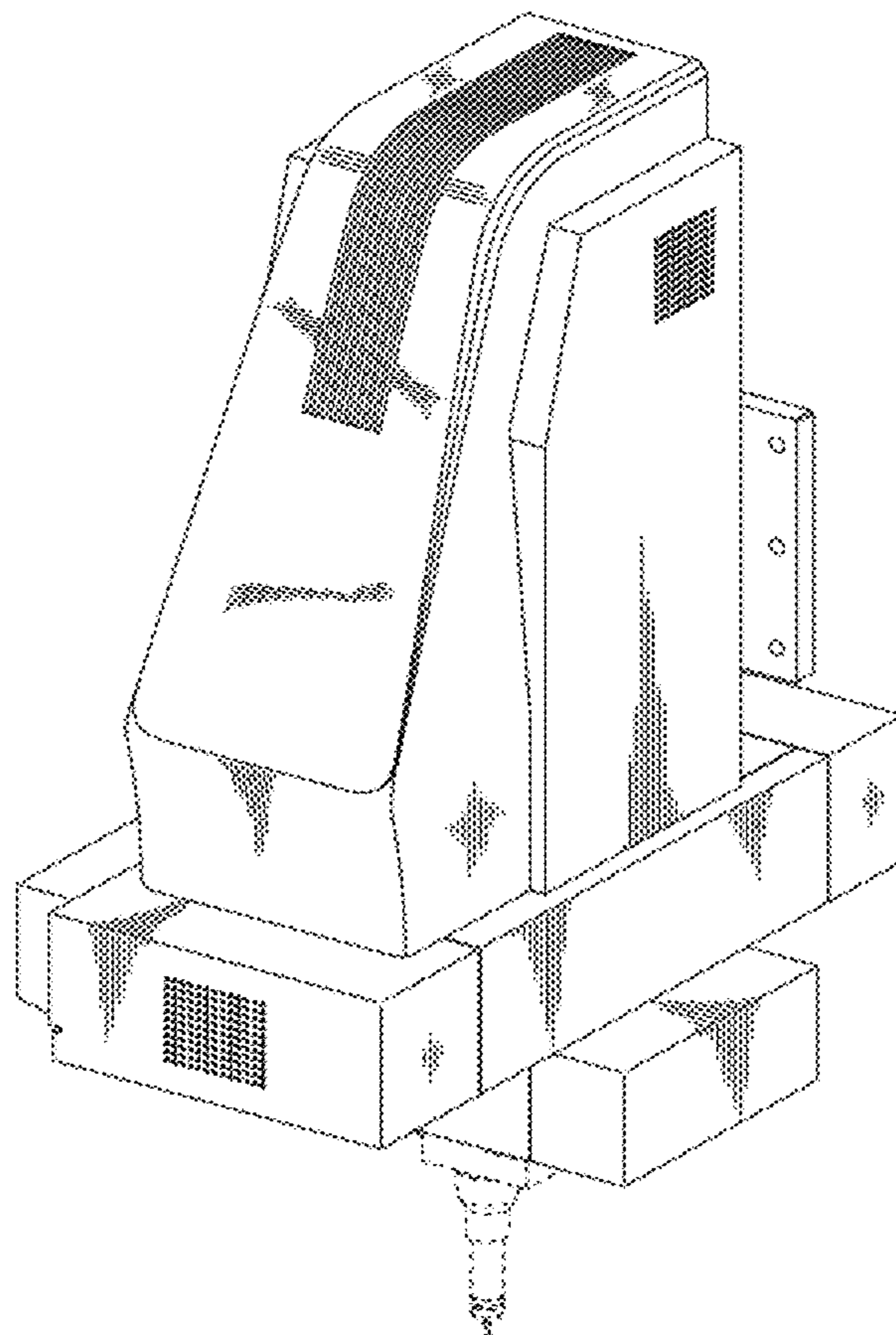


FIG. 1

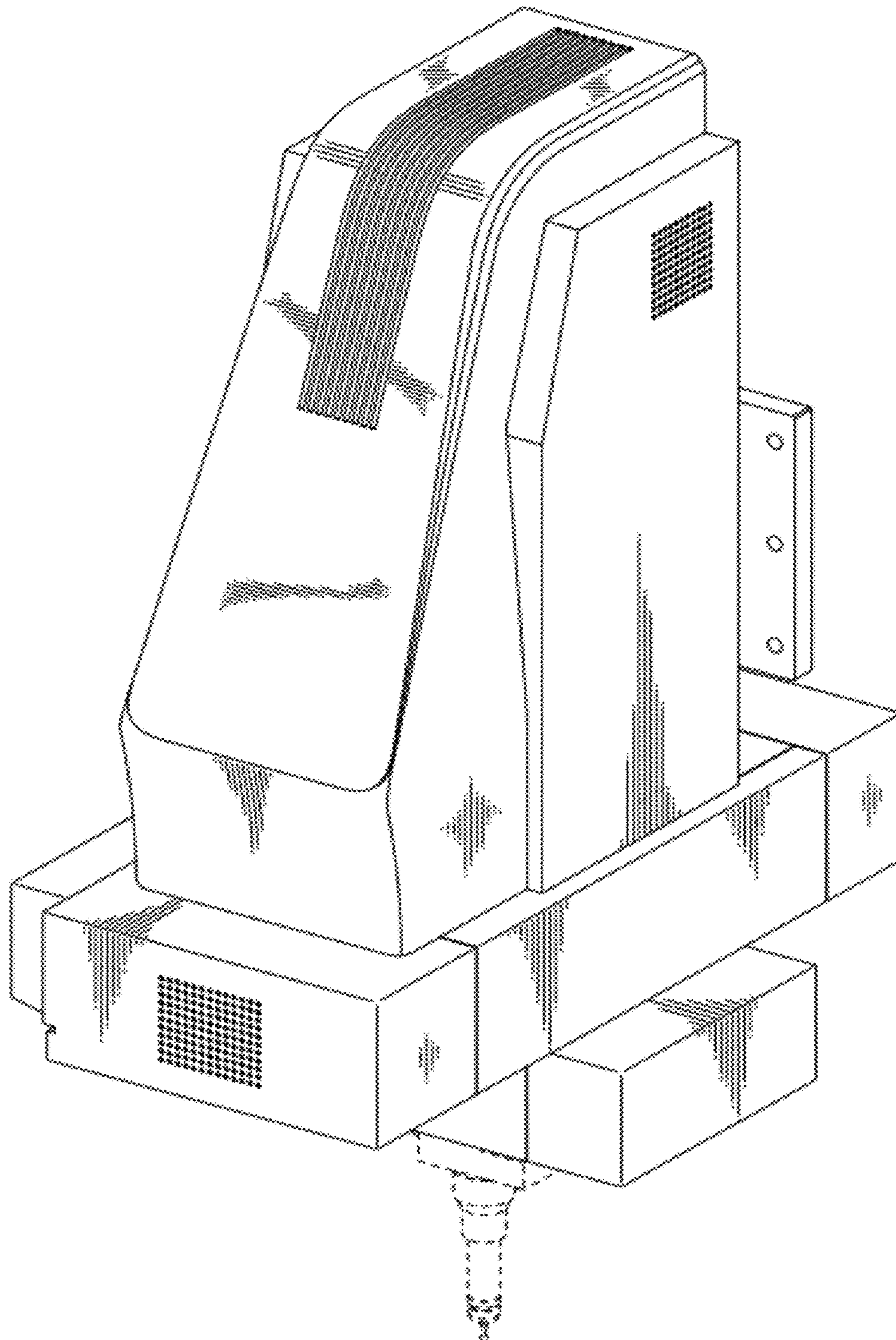


FIG. 2

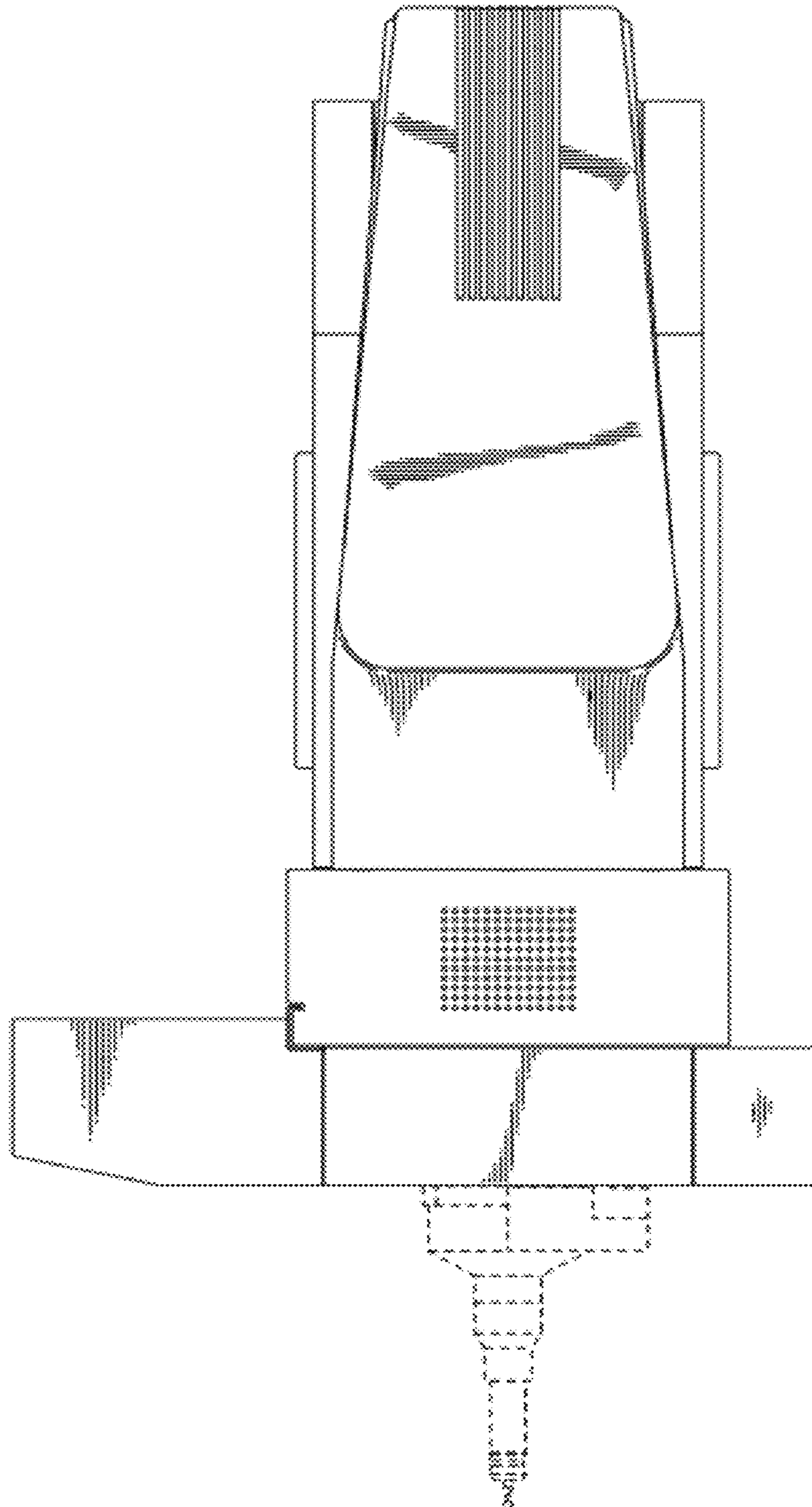


FIG. 3

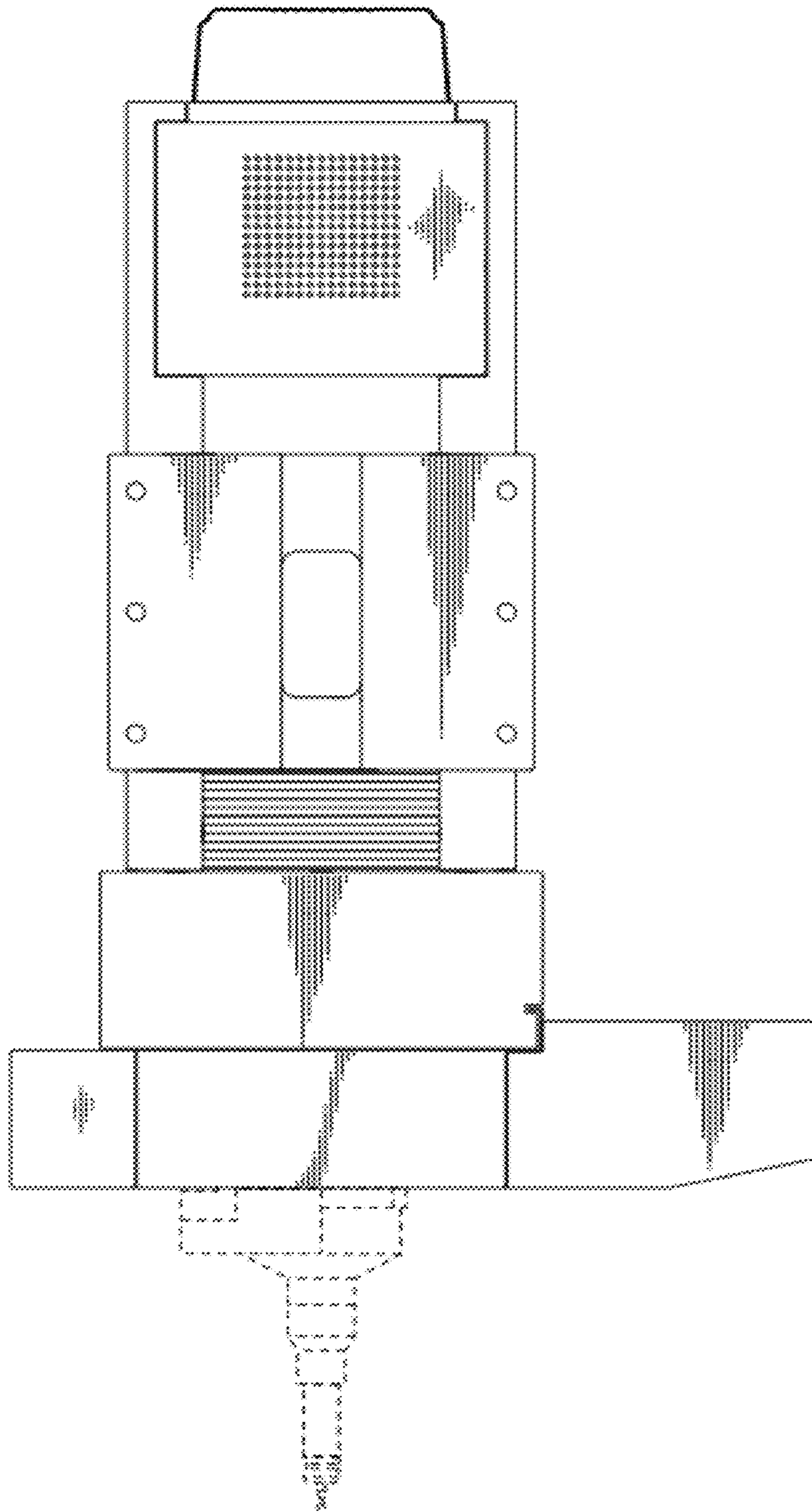


FIG. 4

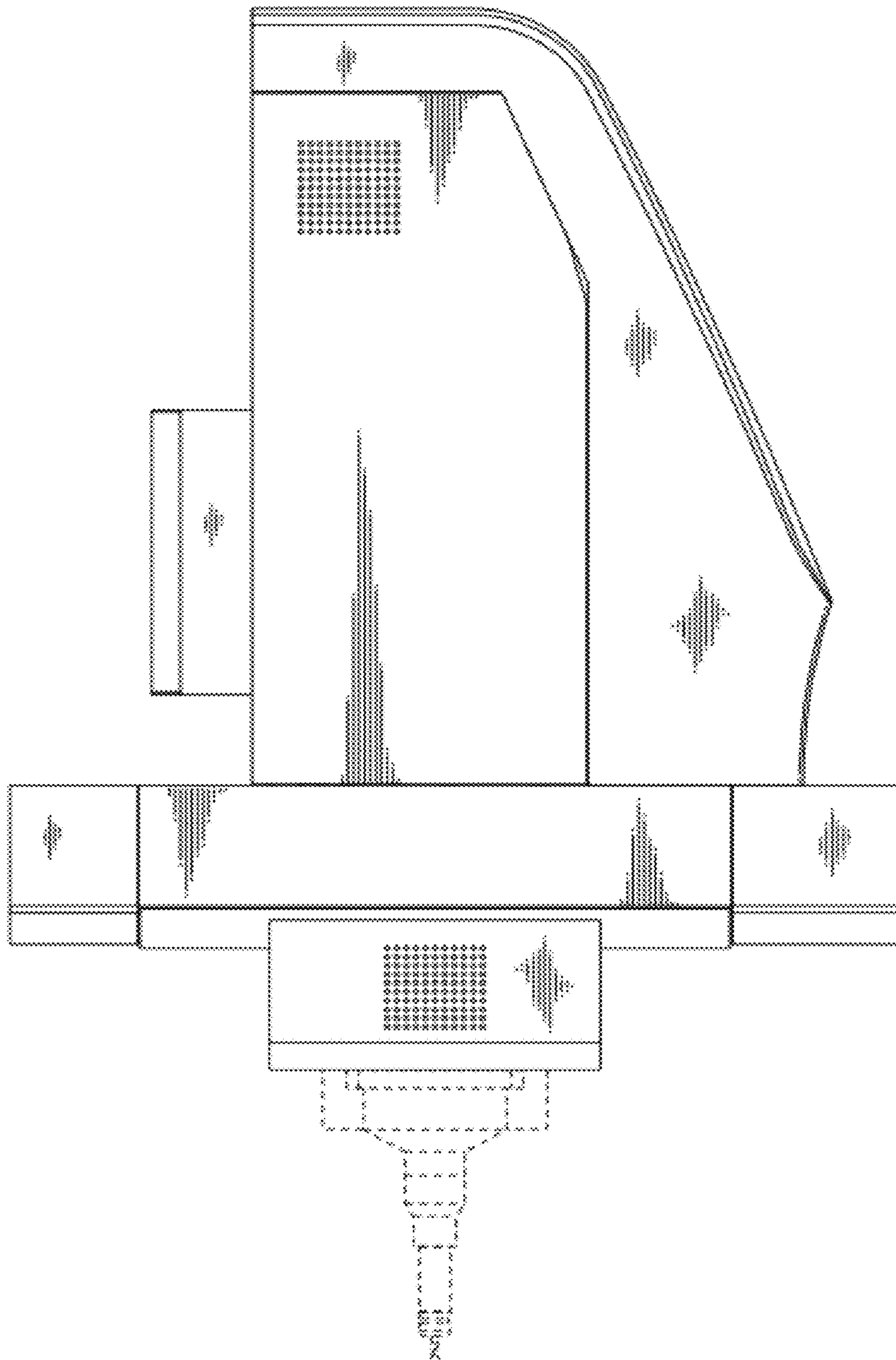


FIG. 5

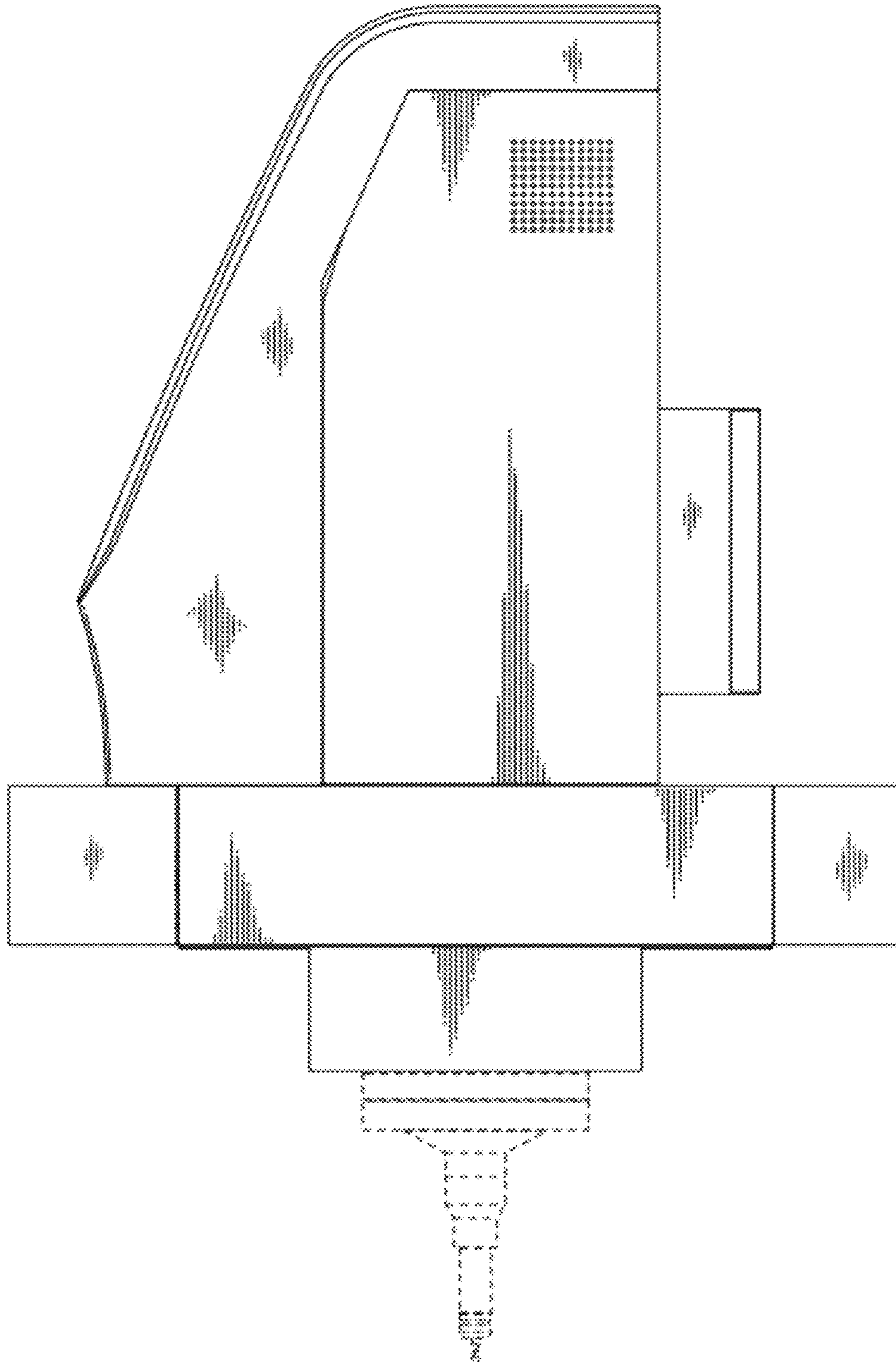


FIG. 6

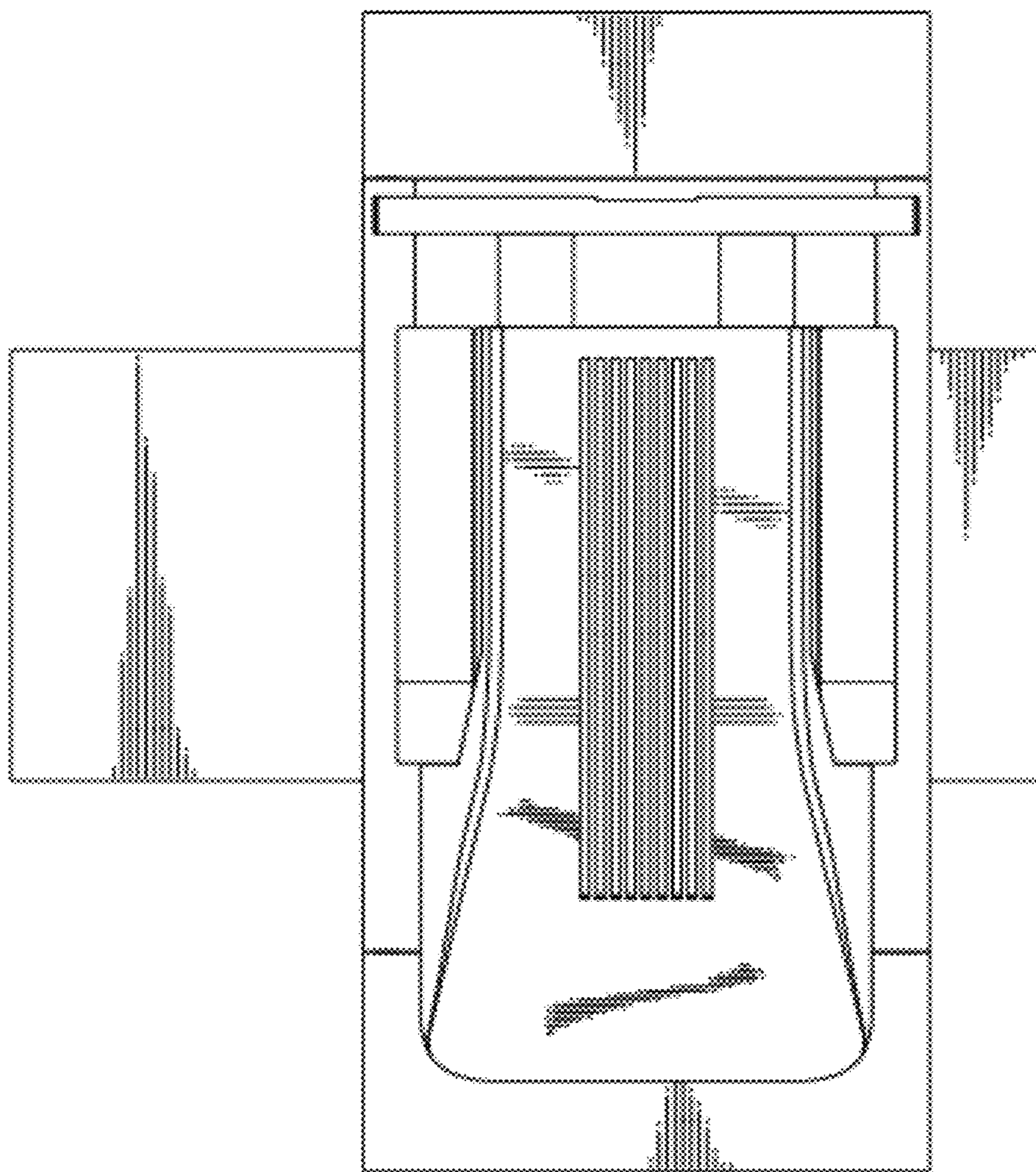


FIG. 7

