

US00D659573S

(12) **United States Design Patent**  
**Riddiford et al.**

(10) **Patent No.:** **US D659,573 S**

(45) **Date of Patent:** **\*\* May 15, 2012**

(54) **MOUNT ADAPTER FOR USE WITH NAVIGATION DEVICE**

701/206–209, 213–214; 206/305, 701, 335;  
220/810–817; 224/400, 483, 282, 428–462  
See application file for complete search history.

(75) Inventors: **Martin Riddiford**, London (GB);  
**Rachael Roberts**, London (GB); **Daniel Browning**, Amsterdam (NL)

(56) **References Cited**

(73) Assignee: **TomTom International B.V.**,  
Amsterdam (NL)

U.S. PATENT DOCUMENTS

D629,317 S \* 12/2010 Riddiford ..... D10/74  
D630,955 S \* 1/2011 McAlpine et al. .... D10/74

(\*\*) Term: **14 Years**

\* cited by examiner

(21) Appl. No.: **29/386,153**

*Primary Examiner* — Antoine D Davis

(22) Filed: **Feb. 25, 2011**

(57) **CLAIM**

The ornamental design for a mount adapter for use with navigation device, as shown and described.

(30) **Foreign Application Priority Data**

**DESCRIPTION**

Jan. 19, 2011 (EP) ..... 001807496-0001

(51) **LOC (9) Cl.** ..... **10-04**

(52) **U.S. Cl.** ..... **D10/74**

(58) **Field of Classification Search** ..... D8/349;  
D10/74; D14/347; 73/178 R; 248/346.01,  
248/671, 904, 314, 309.1, 689, 670, 122.1,  
248/125.1, 128, 130, 133, 139, 176.1, 313;  
340/995; 342/351, 419, 457, 357.06–357.13;  
343/702; 345/87, 104, 133, 156, 168, 173,  
345/901–905; 348/180, 184, 315, 739; 364/200,  
364/434, 443, 444, 449, 451, 708.1, 709.1;

FIG. 1 is a front perspective view of a mount adapter for use with navigation device showing our new design;

FIG. 2 is a front view thereof;

FIG. 3 is a left side view thereof;

FIG. 4 is a rear perspective view thereof from above;

FIG. 5 is a rear perspective view thereof from below;

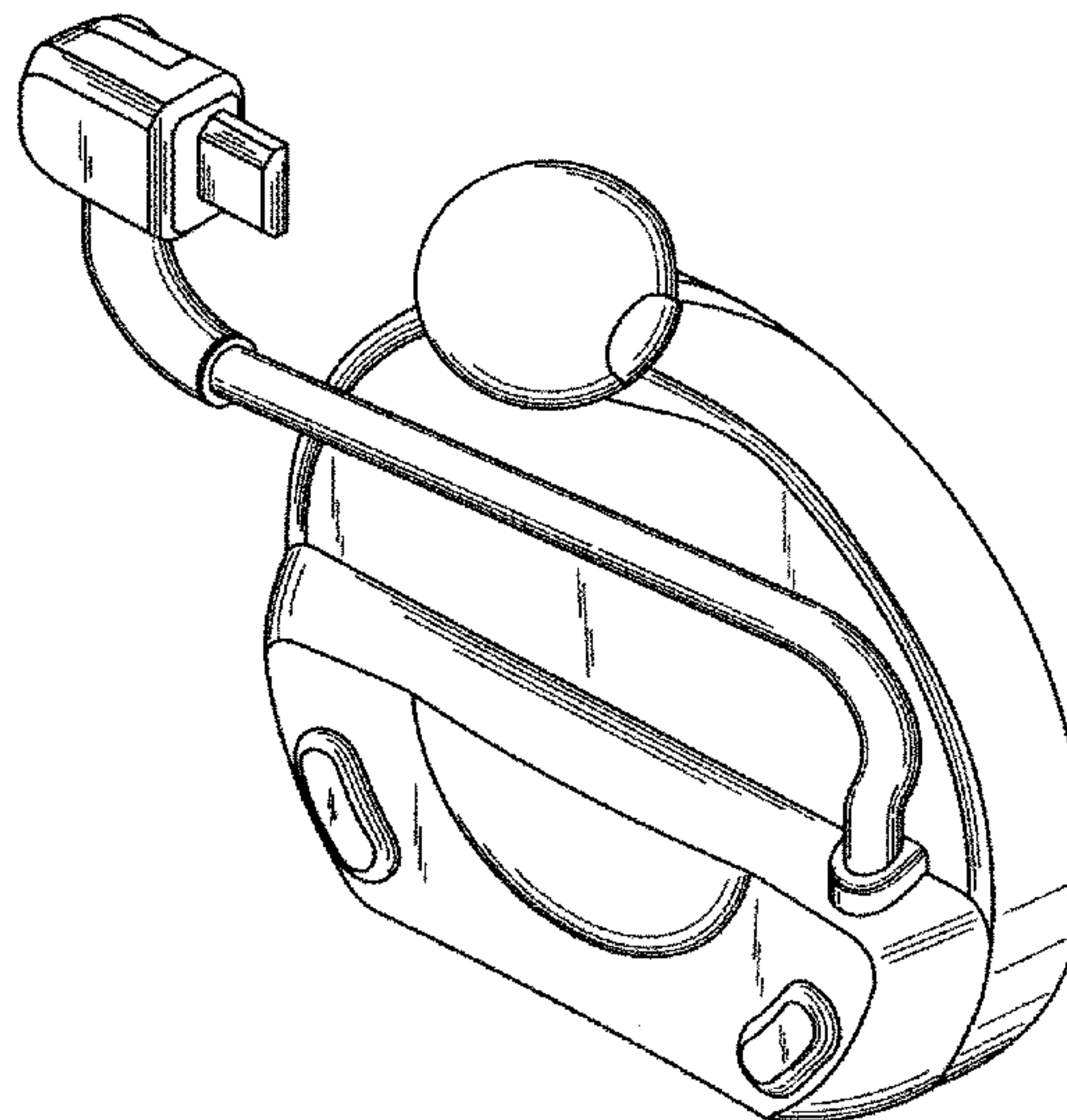
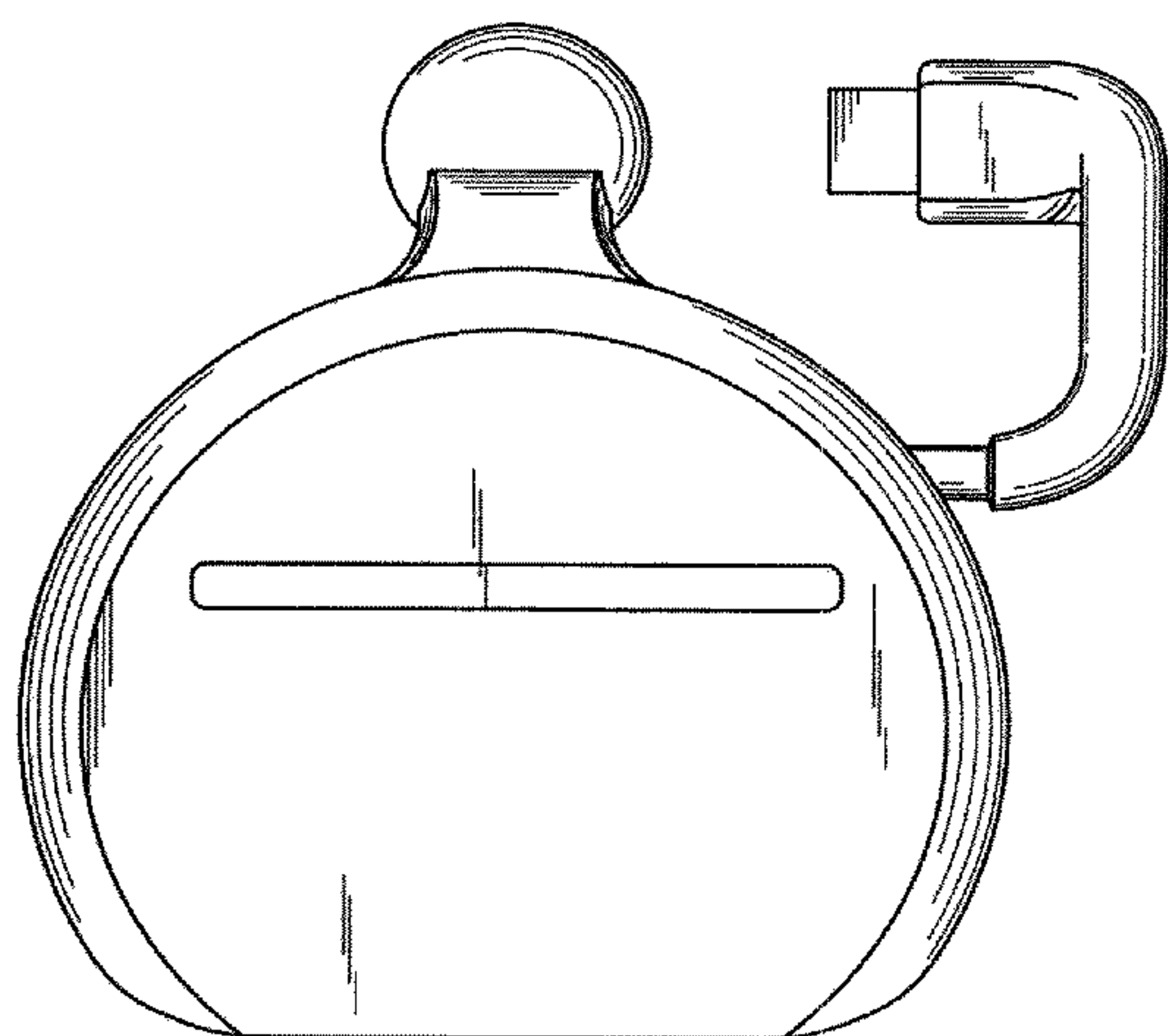
FIG. 6 is a rear view thereof;

FIG. 7 is a right side view thereof;

FIG. 8 is a top view thereof; and,

FIG. 9 is a bottom view thereof.

**1 Claim, 9 Drawing Sheets**



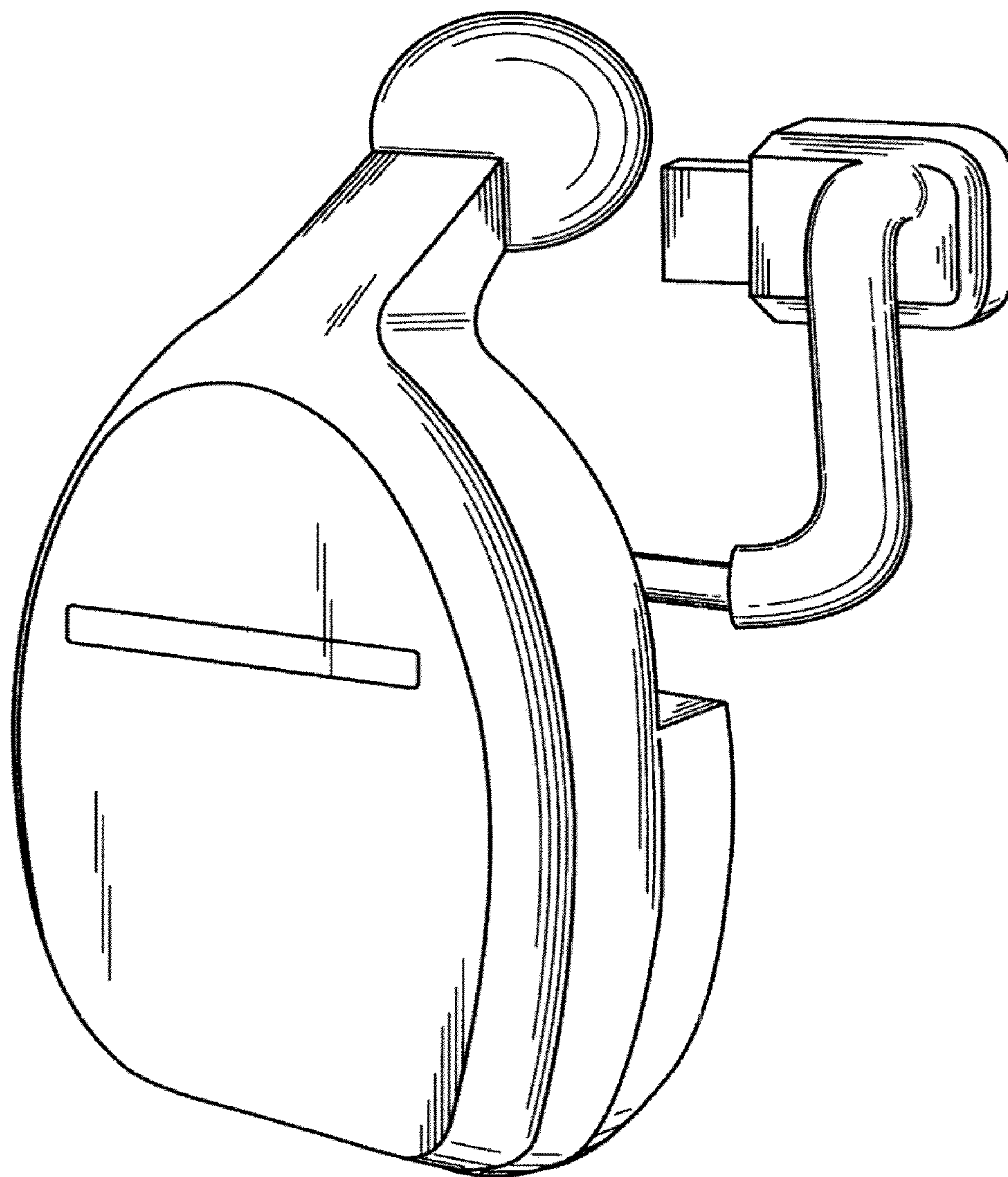


FIG. 1

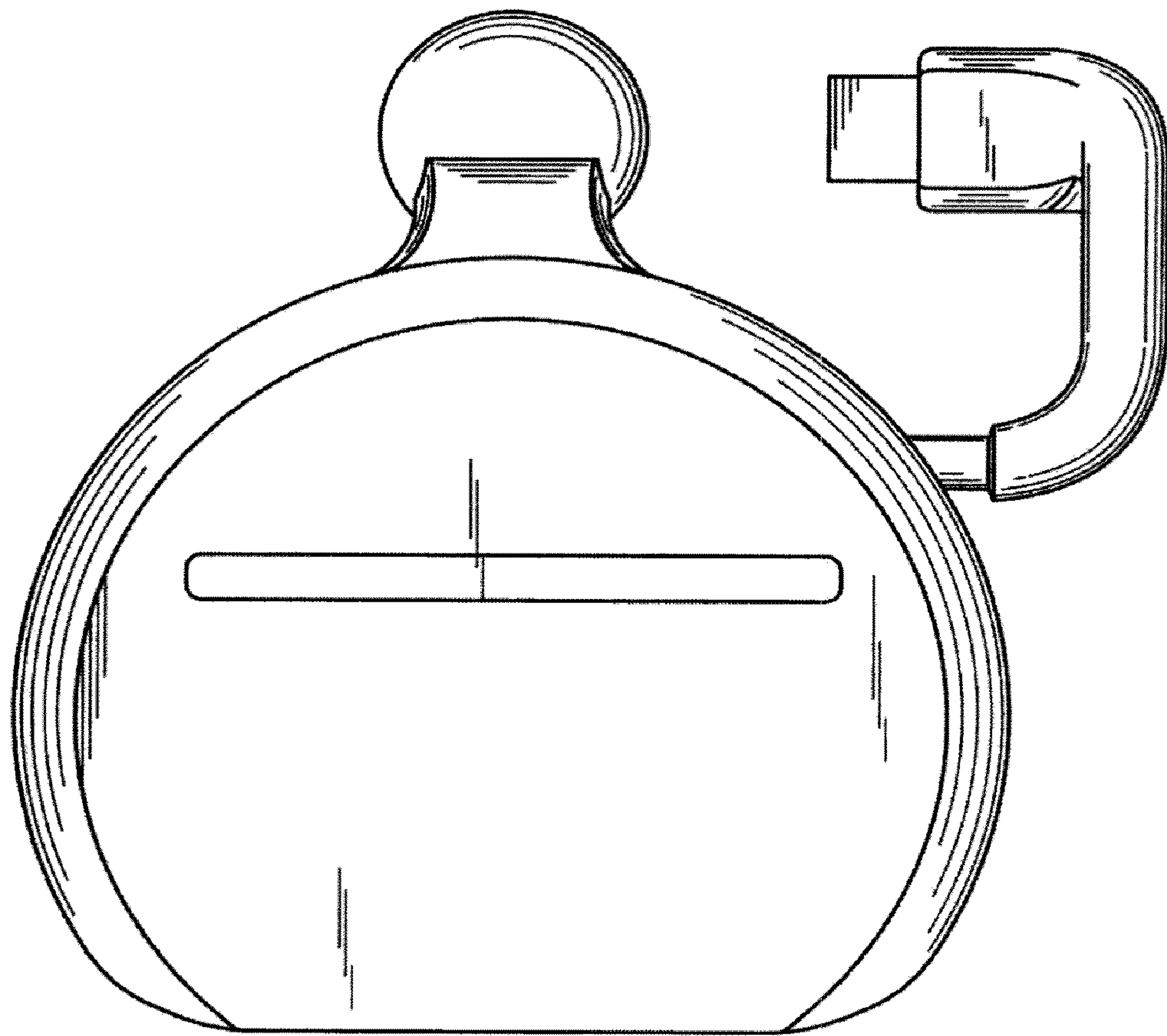
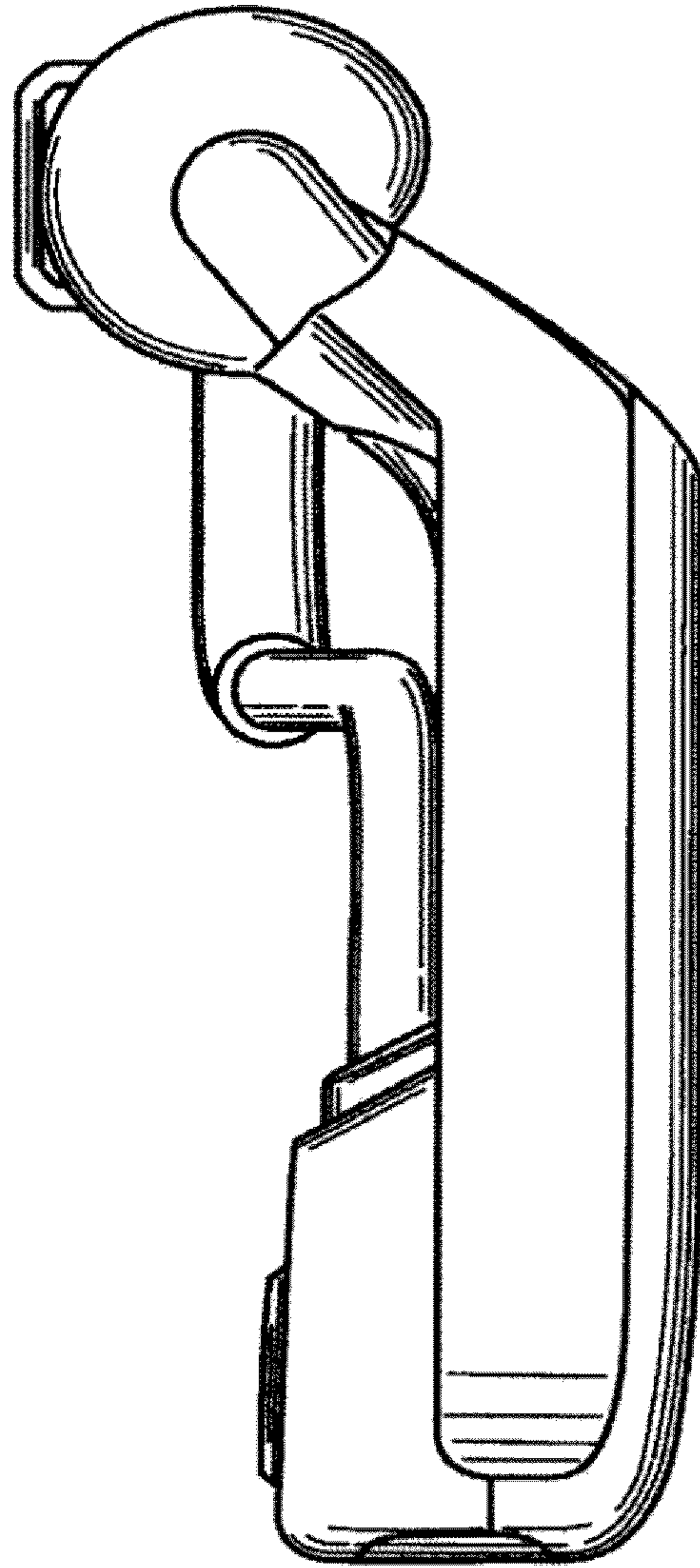


FIG. 2





**FIG. 3**

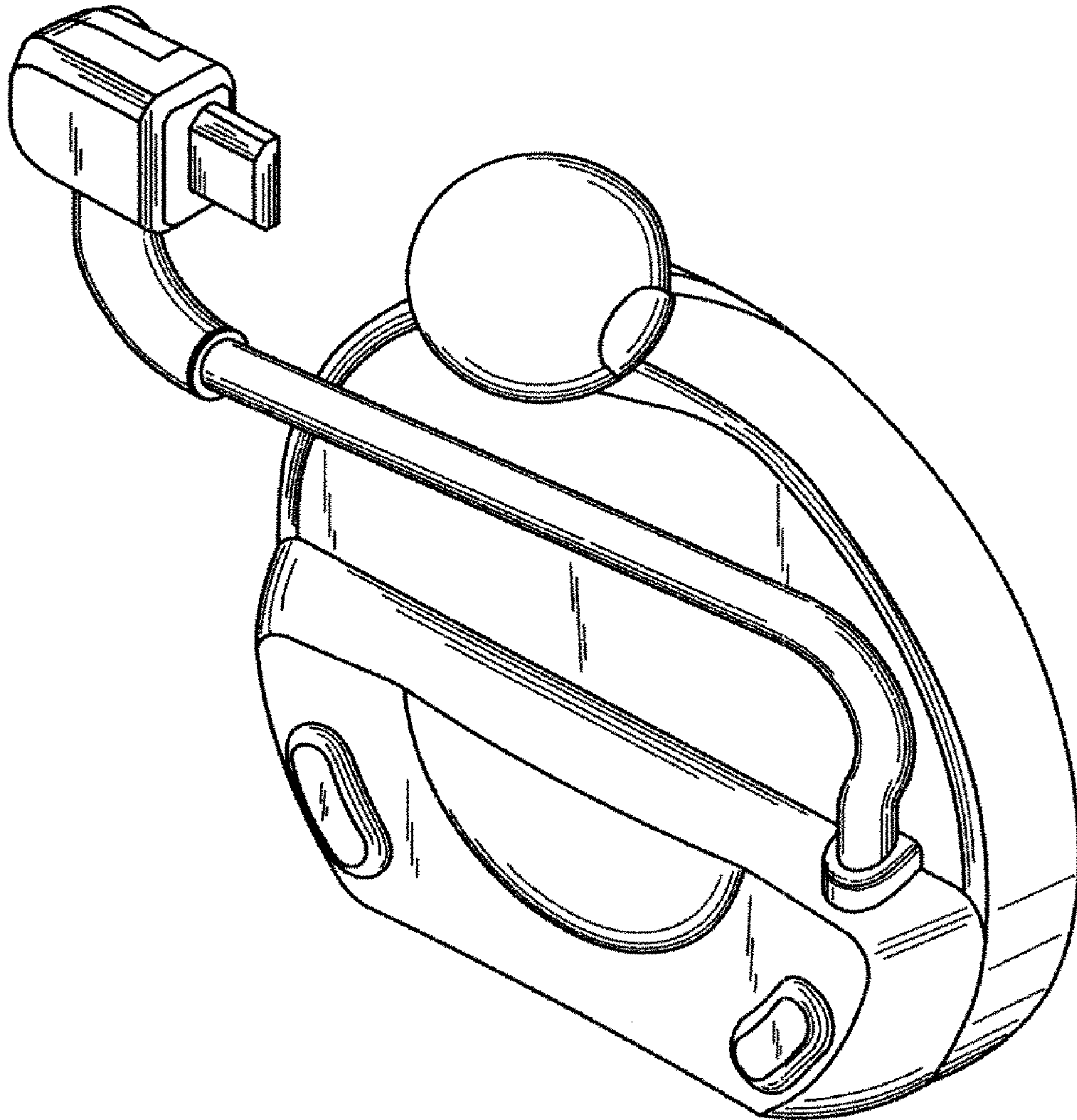


FIG. 4

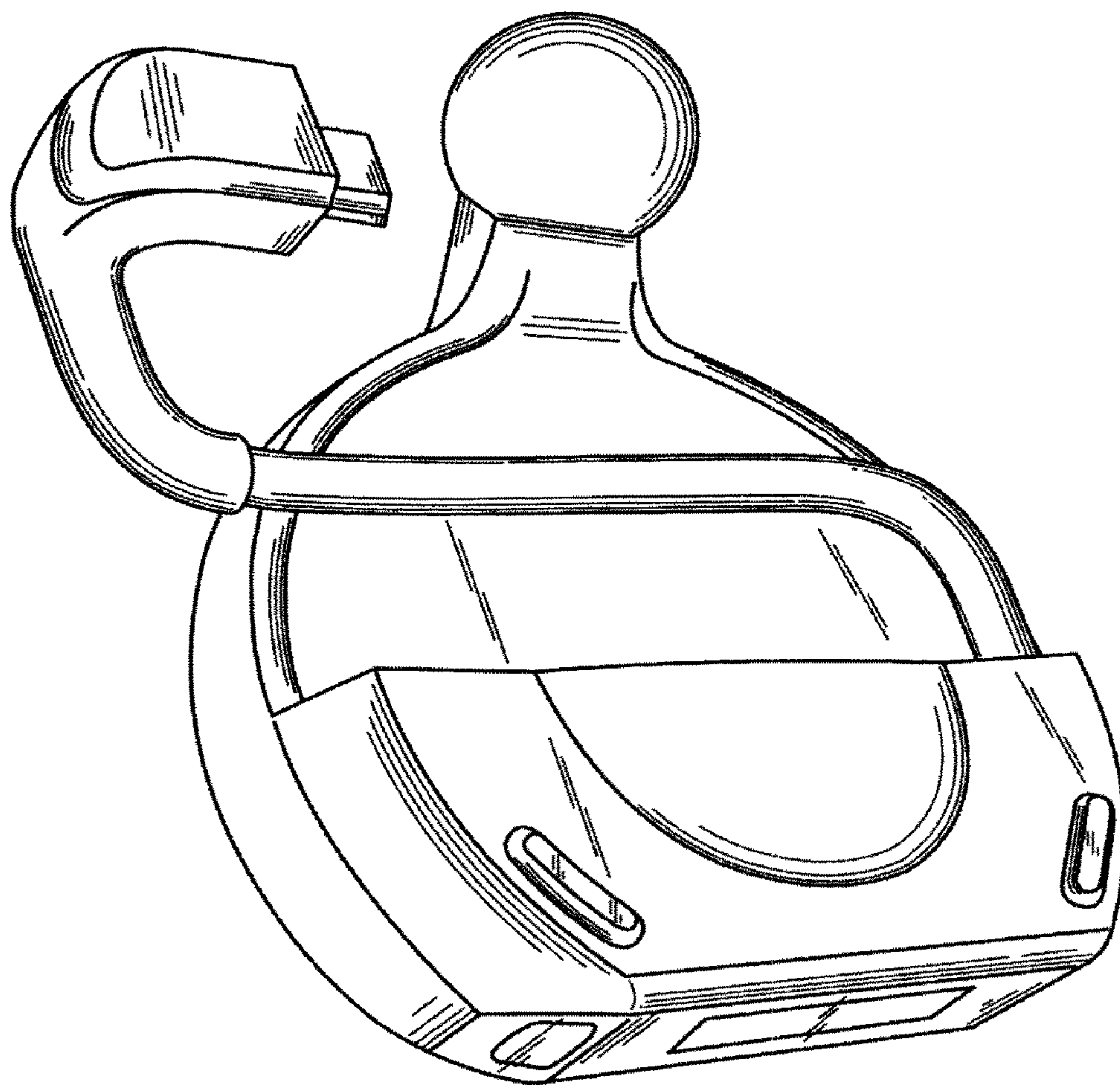


FIG. 5

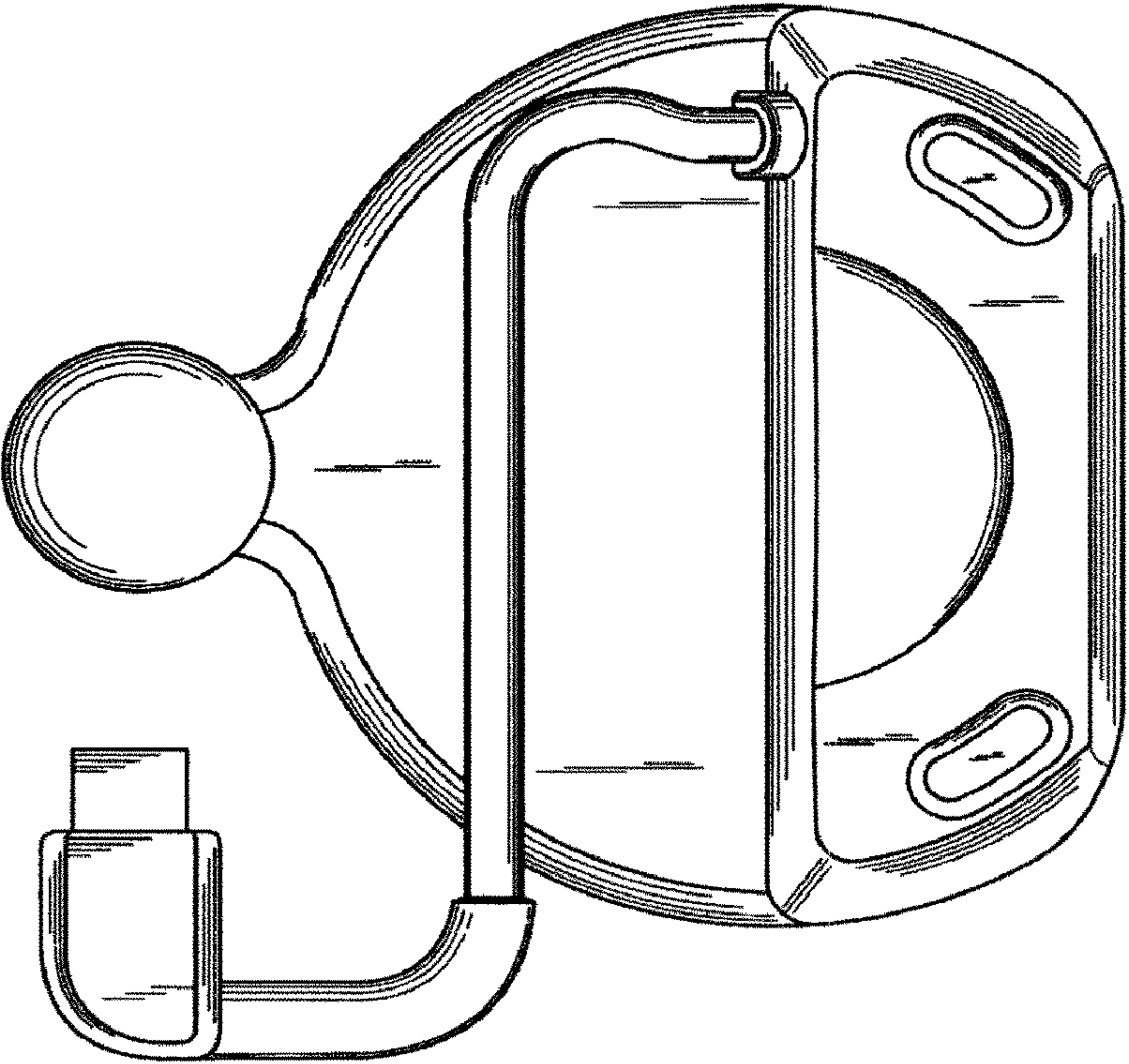


FIG. 6



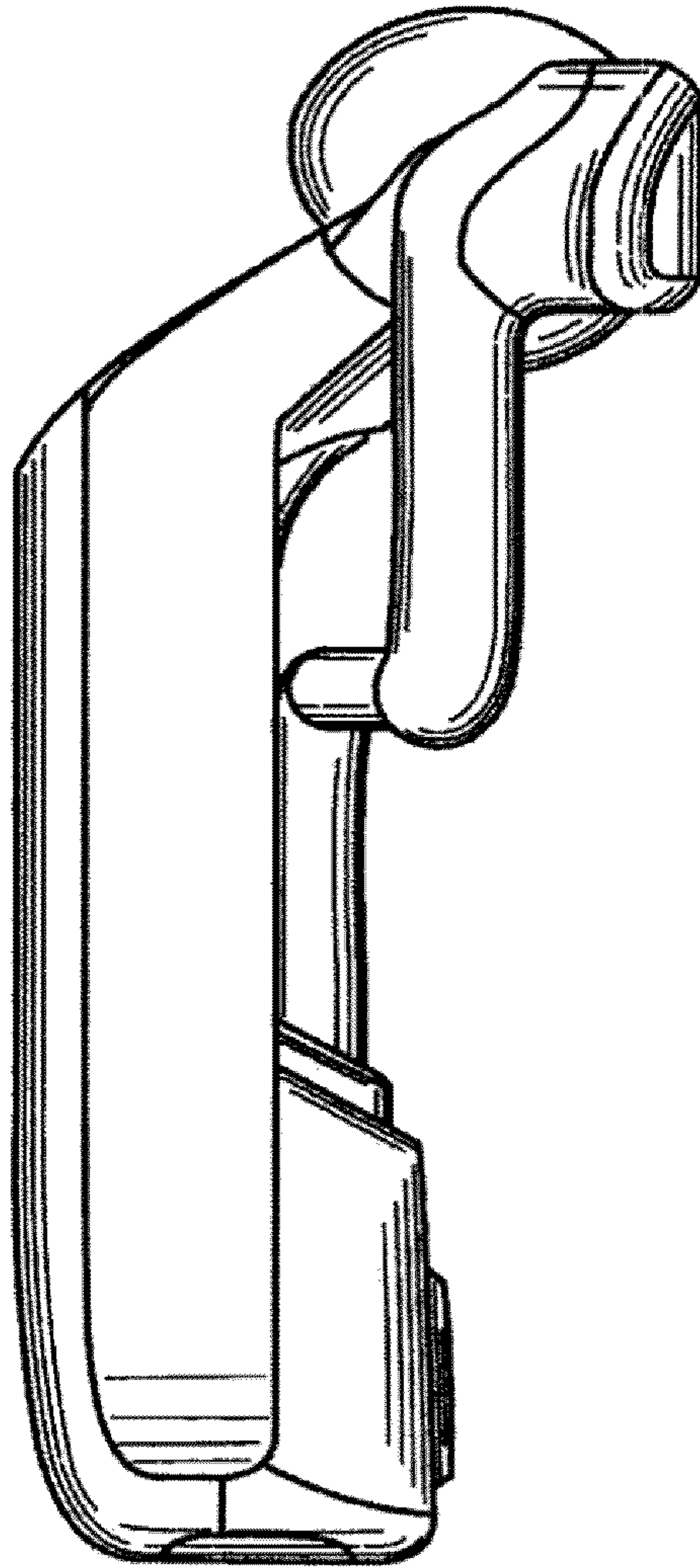


FIG. 7



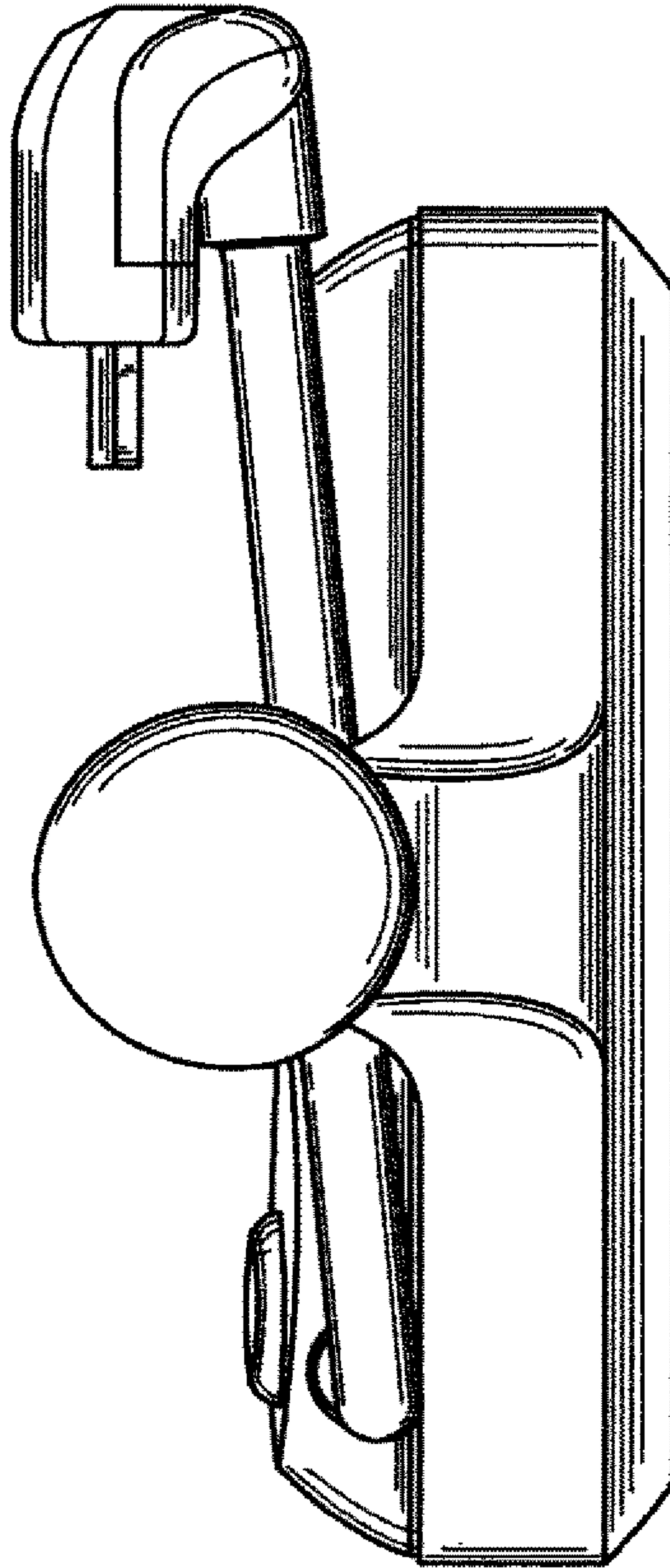


FIG. 8

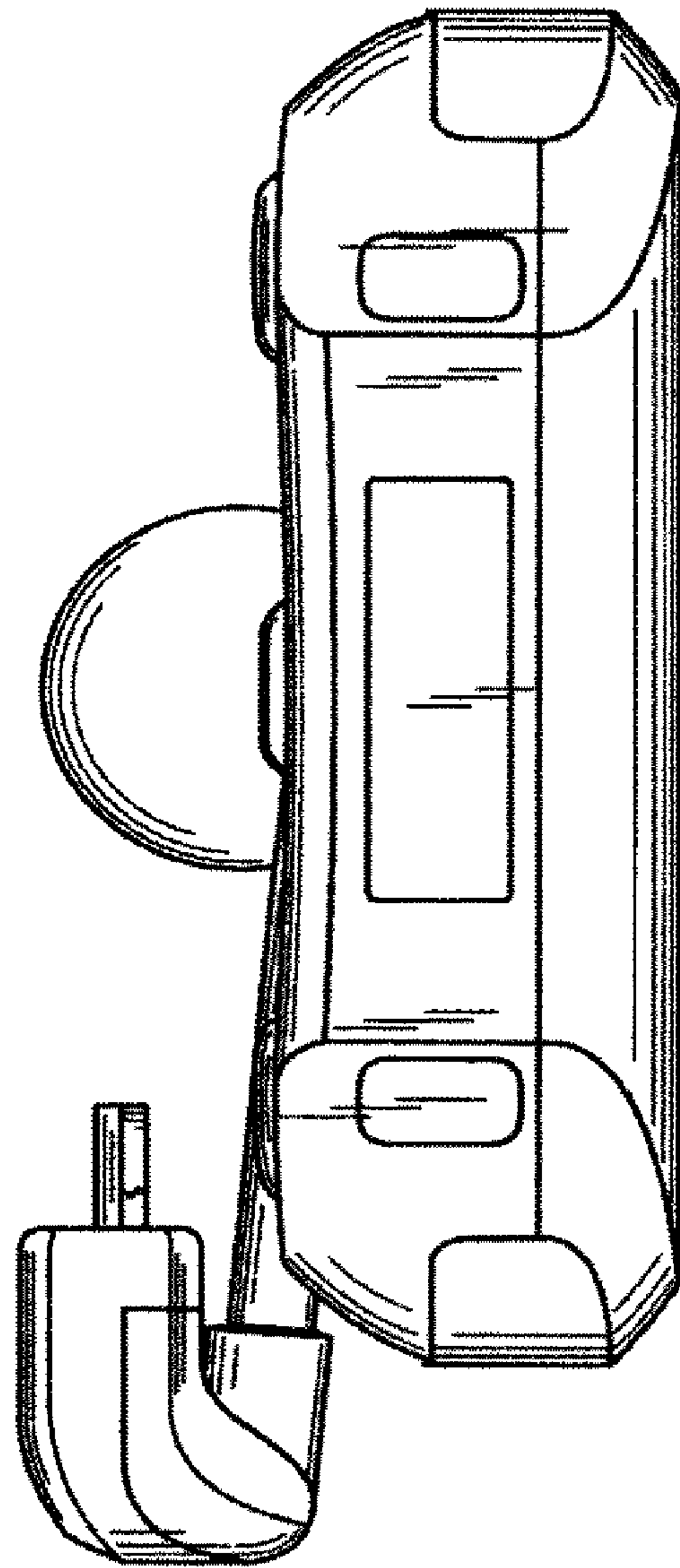


FIG. 9