



US00D659572S

(12) **United States Design Patent**  
**Matsumiya et al.**

(10) **Patent No.:** **US D659,572 S**  
(45) **Date of Patent:** **\*\* May 15, 2012**

(54) **MEASURING HEAD**

(75) Inventors: **Sadayuki Matsumiya**, Kawasaki (JP);  
**Shuichi Kamiyama**, Kawasaki (JP);  
**Tomoyuki Miyazaki**, Kawasaki (JP);  
**Shigeru Ohtani**, Kawasaki (JP); **Yoshiro Asano**, Tokyo (JP)

(73) Assignee: **Mitutoyo Corporation**, Kawasaki-shi (JP)

(\*\*) Term: **14 Years**

(21) Appl. No.: **29/384,442**

(22) Filed: **Jan. 31, 2011**

(30) **Foreign Application Priority Data**

Sep. 27, 2010 (JP) ..... 2010-022995

(51) **LOC (9) Cl.** ..... **10-04**

(52) **U.S. Cl.** ..... **D10/74**

(58) **Field of Classification Search** ..... D10/74;  
33/359-360, DIG. 3; 356/601-640

See application file for complete search history.

(56) **References Cited**

U.S. PATENT DOCUMENTS

D327,854 S \* 7/1992 Bennett ..... D10/74  
D472,170 S \* 3/2003 Reymond ..... D10/74

\* cited by examiner

*Primary Examiner* — Antoine D Davis

(74) *Attorney, Agent, or Firm* — Oliff & Berridge, PLC

(57) **CLAIM**

We claim the ornamental design for a measuring head, as shown and described.

**DESCRIPTION**

FIG. 1 is a perspective view of a measuring head, showing our new design.

FIG. 2 is a front view thereof.

FIG. 3 is a rear view thereof.

FIG. 4 is a left-side view thereof.

FIG. 5 is a right-side view thereof.

FIG. 6 is a top view thereof; and,

FIG. 7 is a bottom view thereof.

The broken lines depict environmental subject matter only and form no part of the claimed design.

**1 Claim, 7 Drawing Sheets**

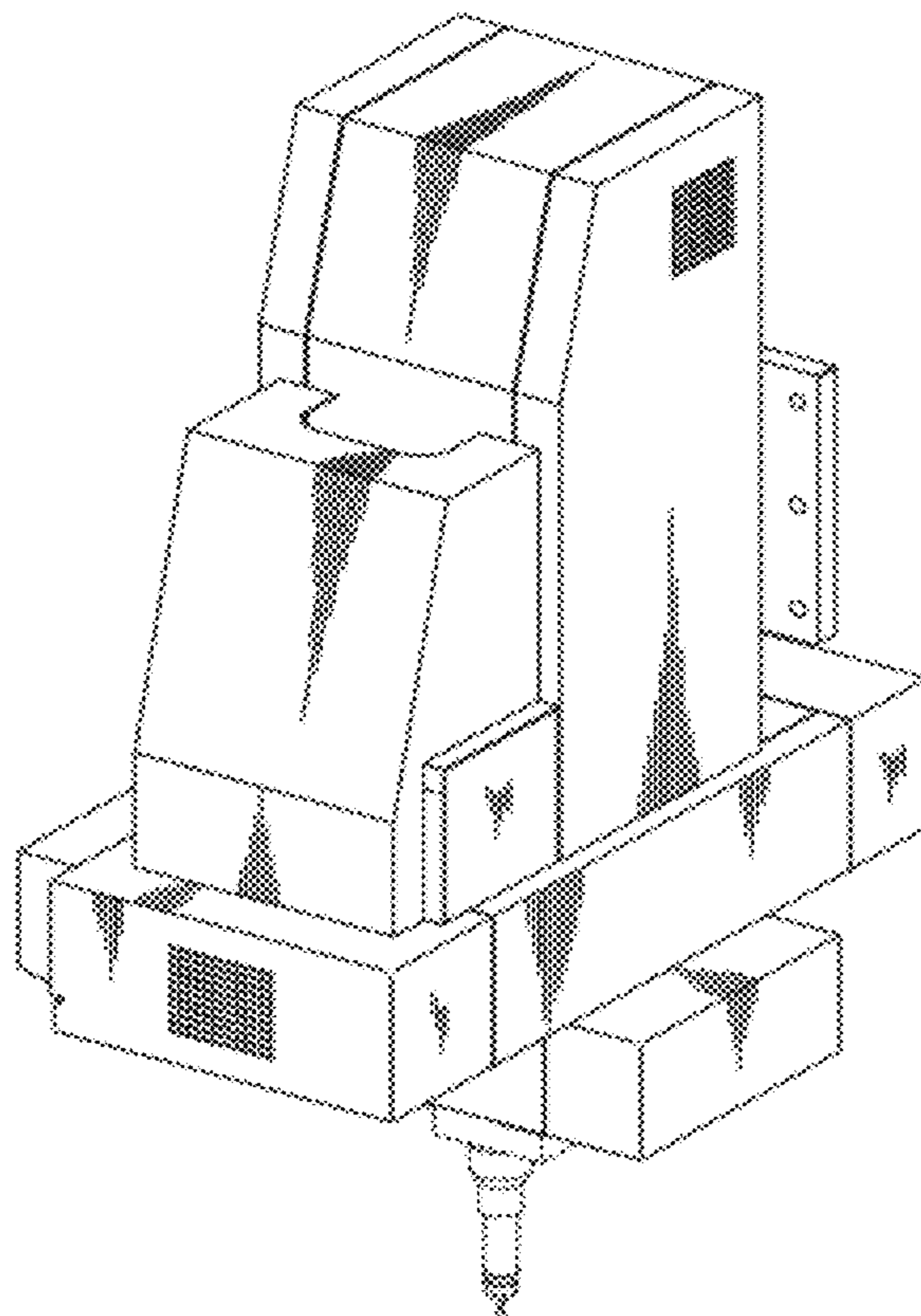


FIG. 1

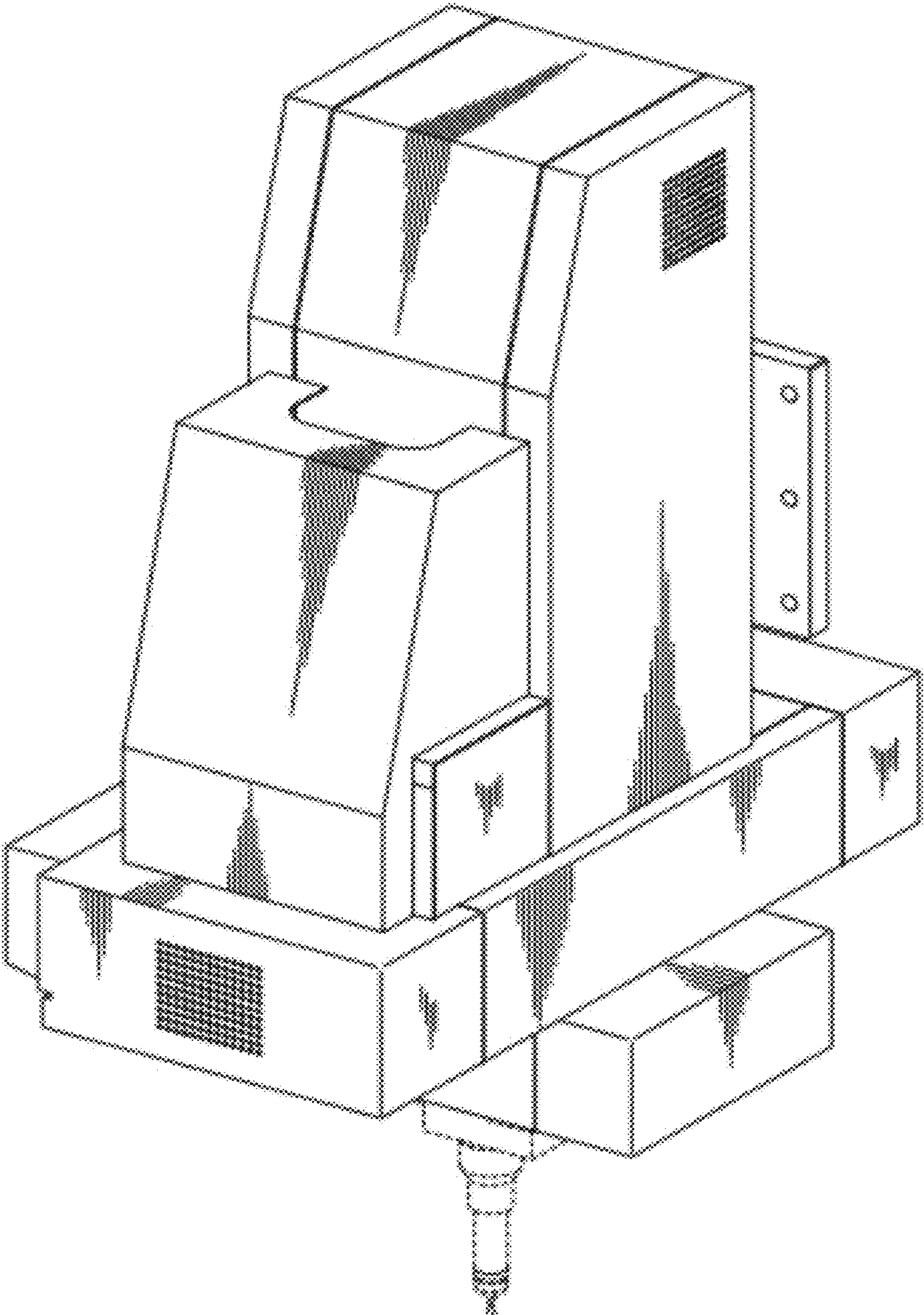


FIG. 2

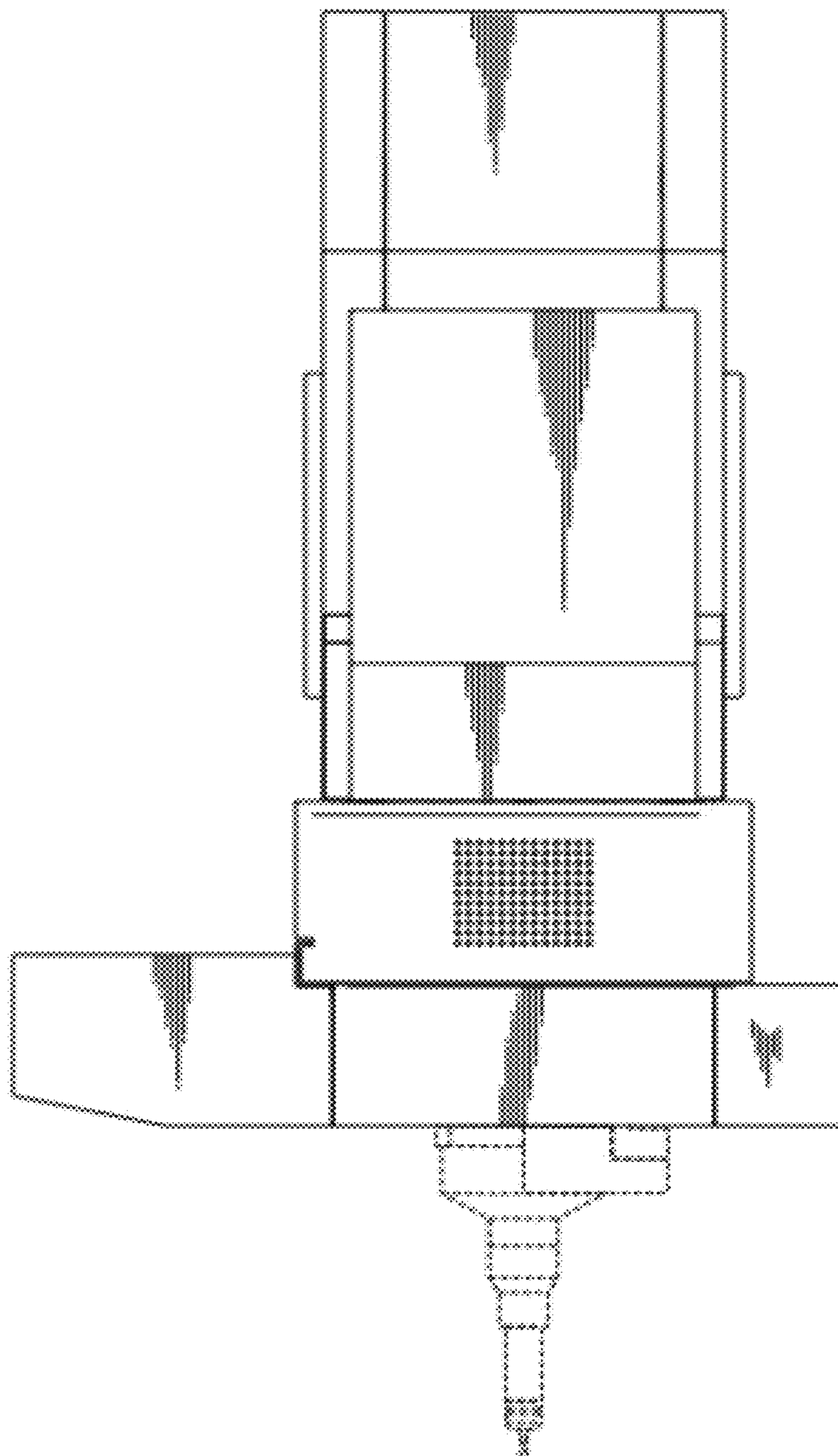


FIG. 3

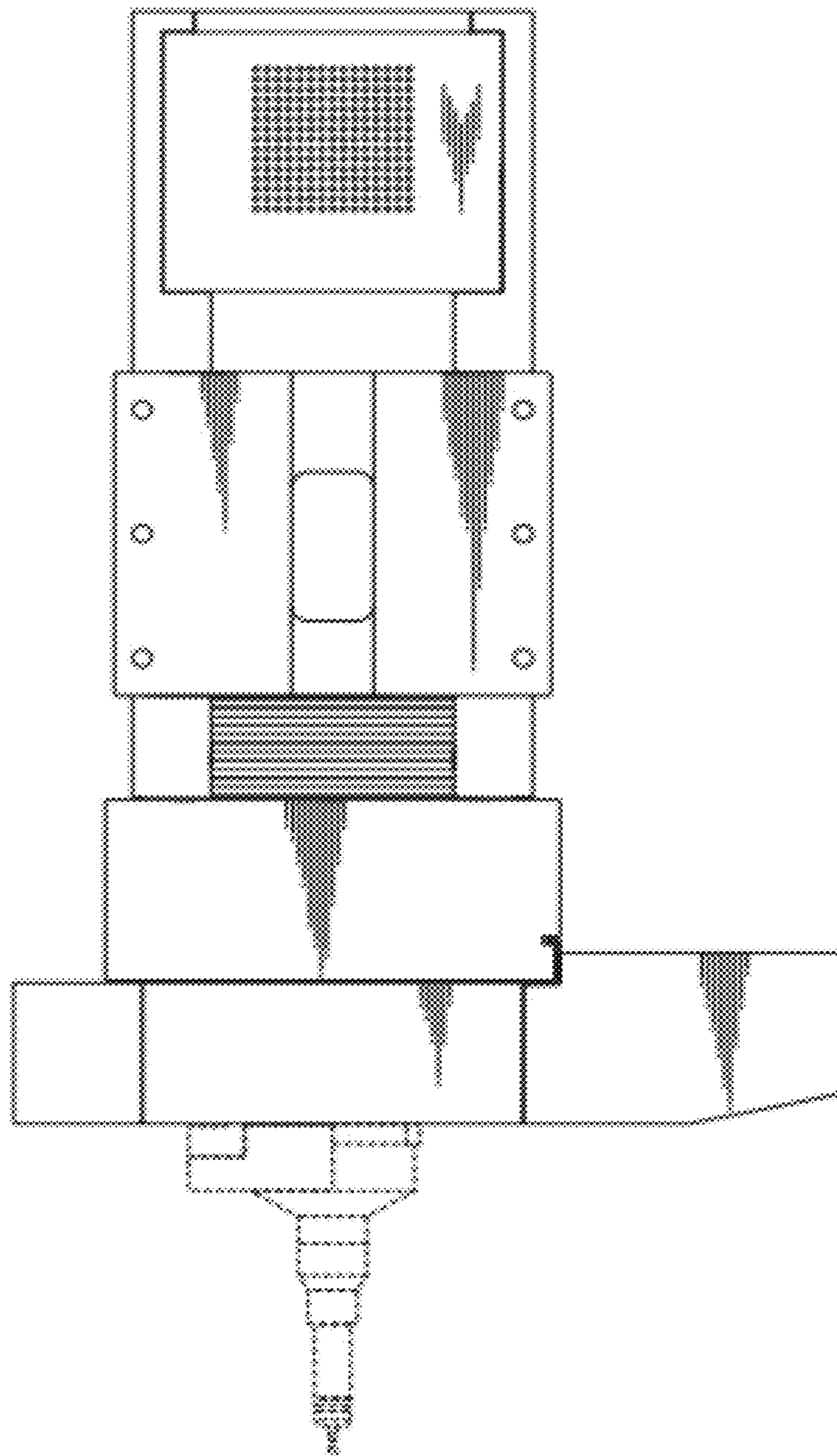


FIG. 4

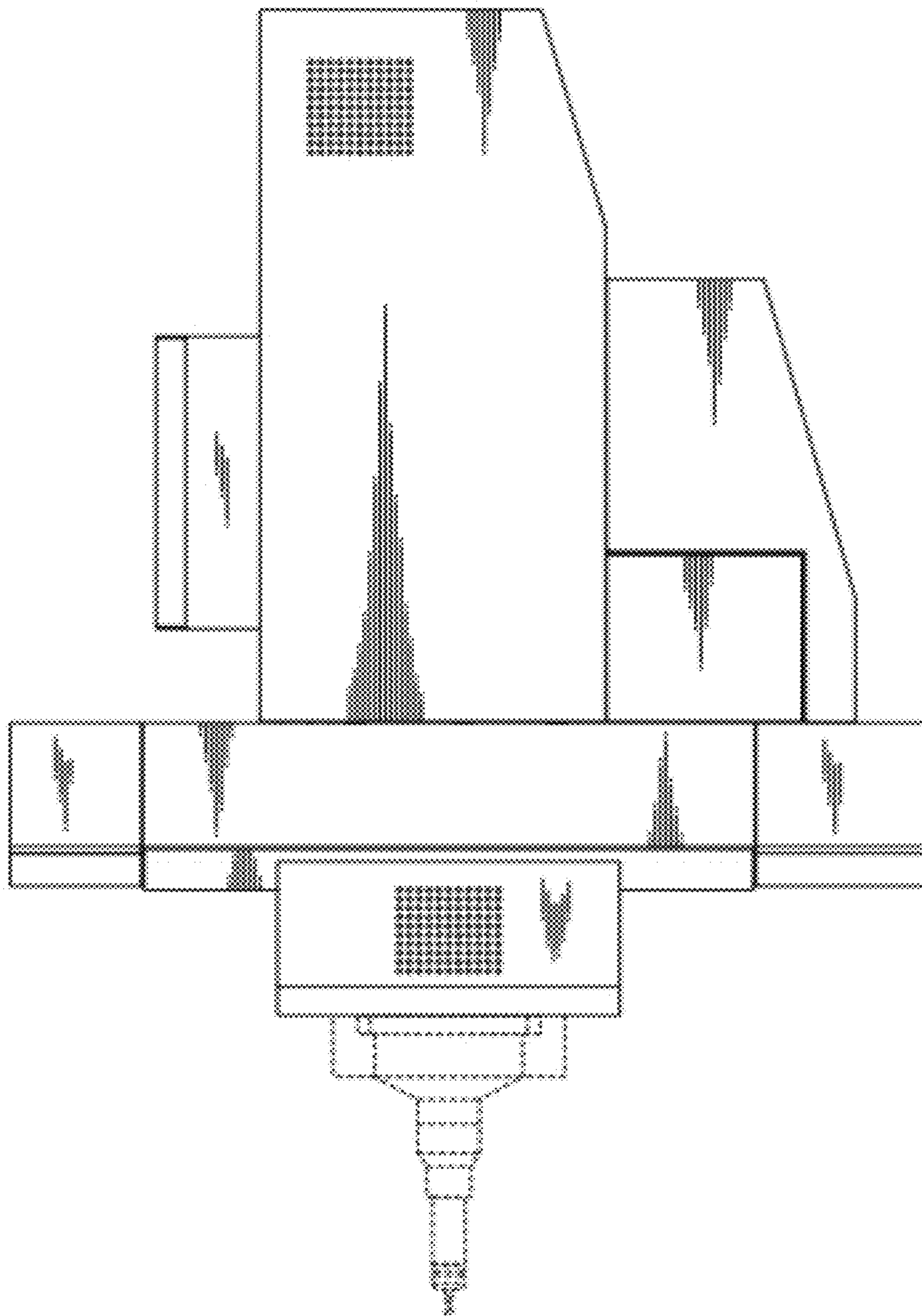


FIG. 5

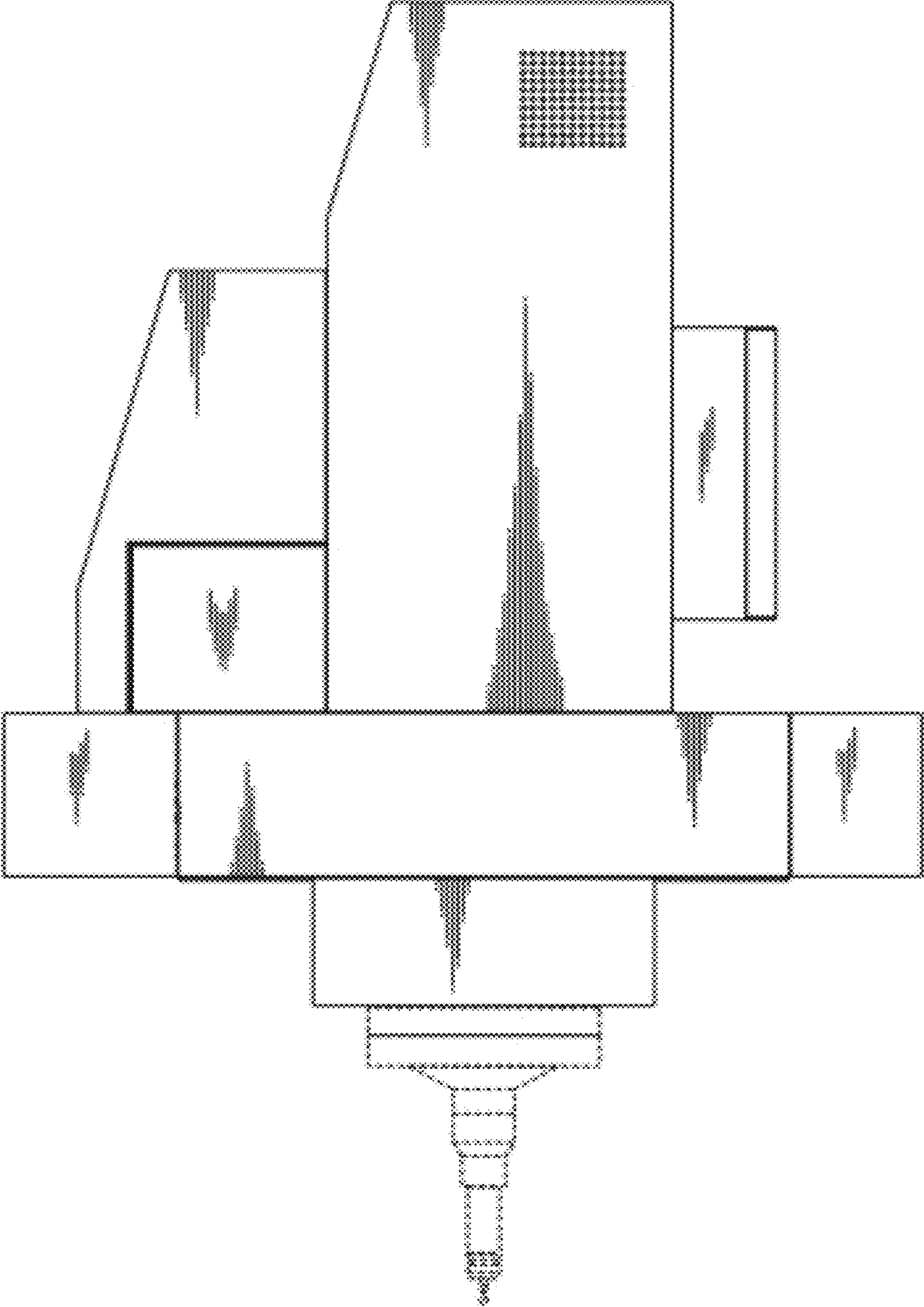


FIG. 6

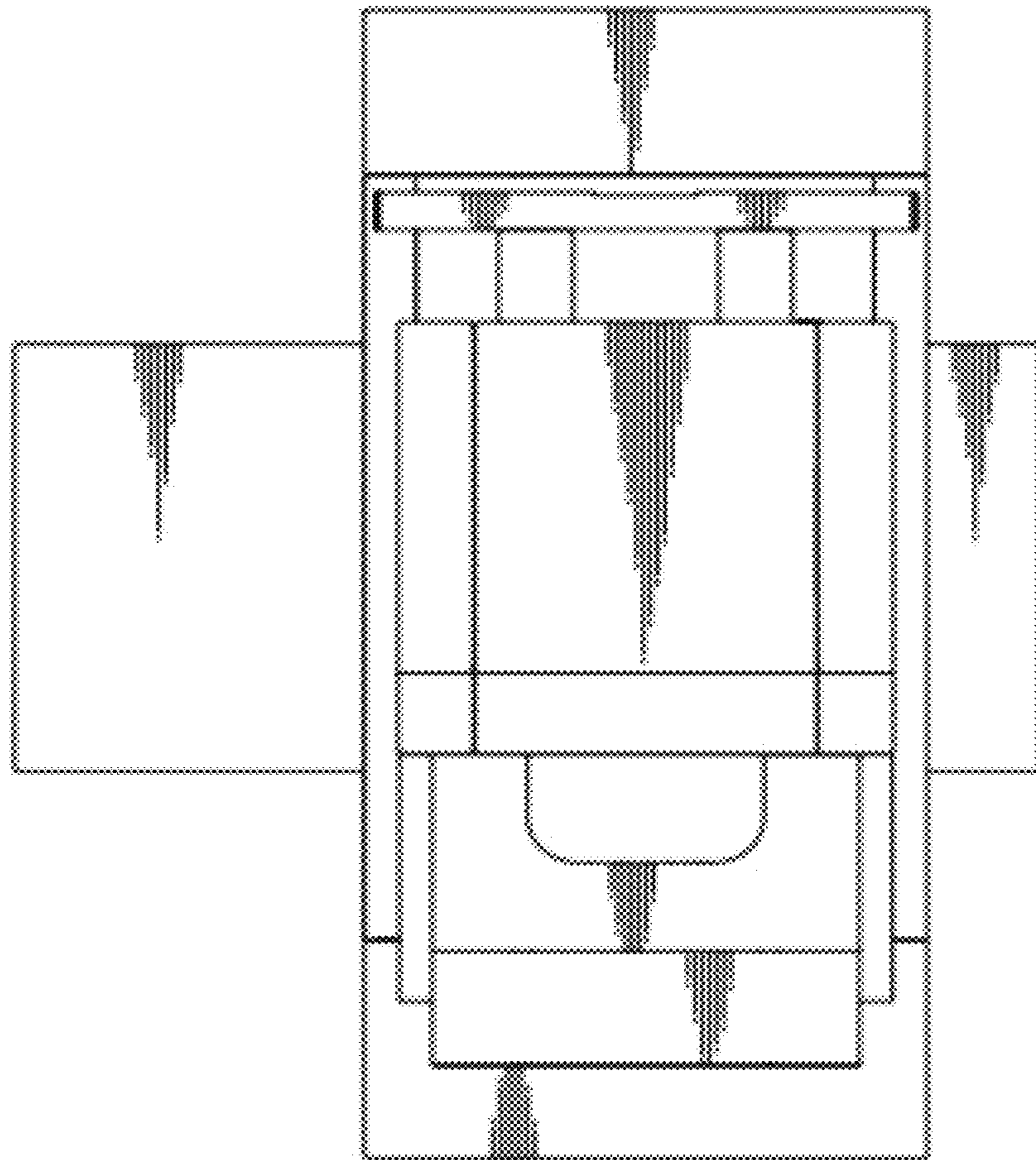


FIG. 7

