

US00D659571S

(12) **United States Design Patent**
Hoggarth et al.

(10) **Patent No.:** **US D659,571 S**

(45) **Date of Patent:** **** May 15, 2012**

(54) **NAVIGATION DEVICE MOUNT FOR USE WITH A PORTABLE NAVIGATION DEVICE**

701/206–209, 213–214; 206/305, 701, 335; 220/810–817; 224/400, 483, 282, 428–462
See application file for complete search history.

(75) Inventors: **Marcus Hoggarth**, London (GB); **Liam O’Brien**, London (GB)

(56) **References Cited**

(73) Assignee: **TomTom International B.V.**, Amsterdam (NL)

U.S. PATENT DOCUMENTS

(**) Term: **14 Years**

D565,980	S	*	4/2008	Reeson et al.	D10/74
D580,804	S	*	11/2008	Gretton	D10/74
D589,386	S	*	3/2009	Gretton	D10/74
D626,439	S	*	11/2010	Lee et al.	D10/74
D629,315	S	*	12/2010	McAlpine et al.	D10/74

(21) Appl. No.: **29/378,828**

* cited by examiner

(22) Filed: **Nov. 10, 2010**

Primary Examiner — Antoine D Davis

(30) **Foreign Application Priority Data**

Jul. 21, 2010 (WO) 557710201

(51) **LOC (9) Cl.** **10-04**

(52) **U.S. Cl.** **D10/74**

(58) **Field of Classification Search** D8/349; D10/74; D14/347; 73/178 R; 248/346.01, 248/671, 904, 314, 309.1, 689, 670, 122.1, 248/125.1, 128, 130, 133, 139, 176.1, 313; 340/995; 342/351, 419, 457, 357.06–357.13; 343/702; 345/87, 104, 133, 156, 168, 173, 345/901–905; 348/180, 184, 315, 739; 364/200, 364/434, 443, 444, 449, 451, 708.1, 709.1;

(57) **CLAIM**

The ornamental design for a navigation device mount for use with a portable navigation device, as shown and described.

DESCRIPTION

FIG. 1 is a front perspective view of a navigation device mount for use with a portable navigation device showing our new design;

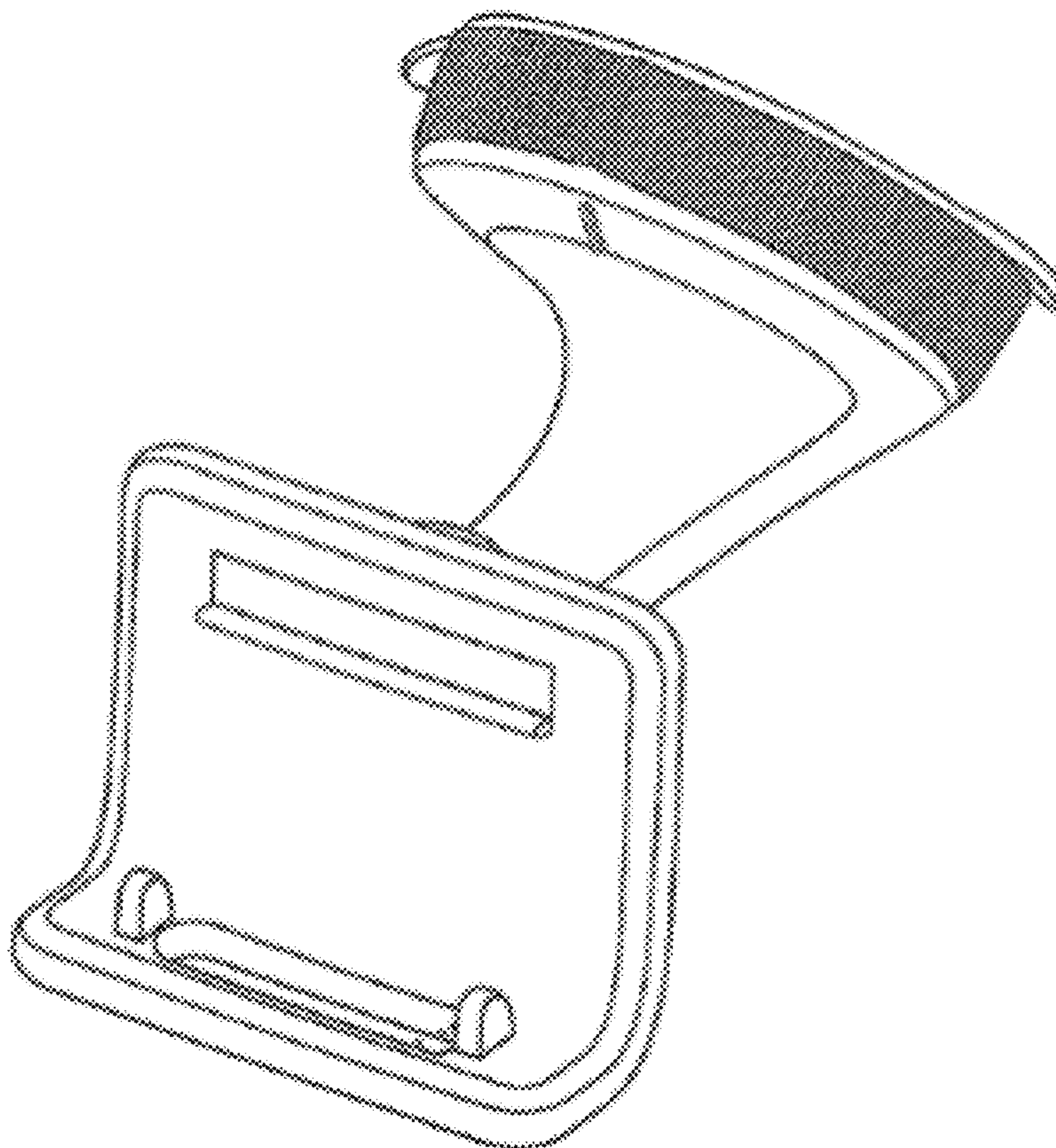
FIG. 2 is a front view thereof;

FIG. 3 is a rear perspective view thereof;

FIG. 4 is a left side view thereof; and,

FIG. 5 is a right side view thereof.

1 Claim, 5 Drawing Sheets



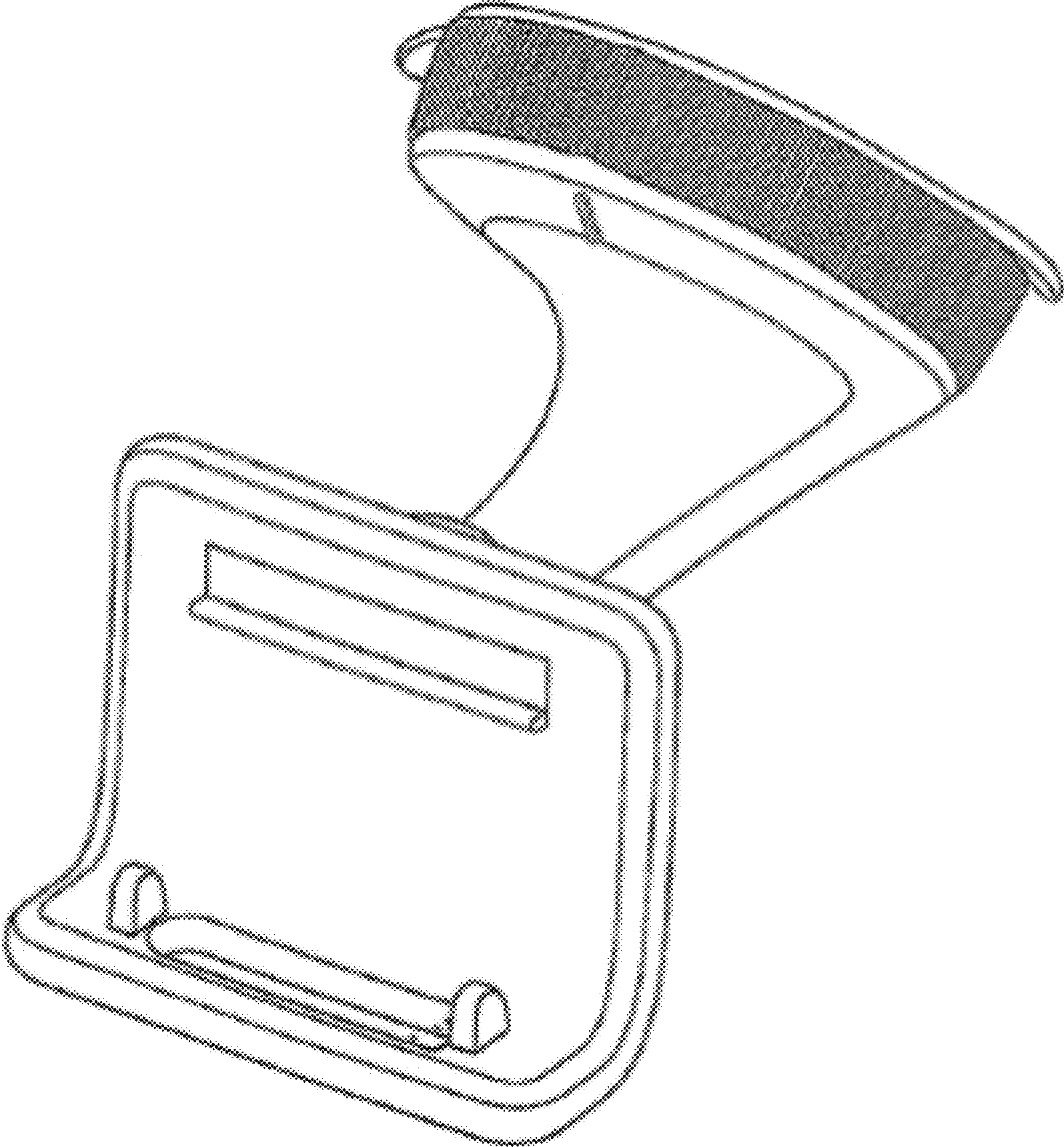


FIG. 1

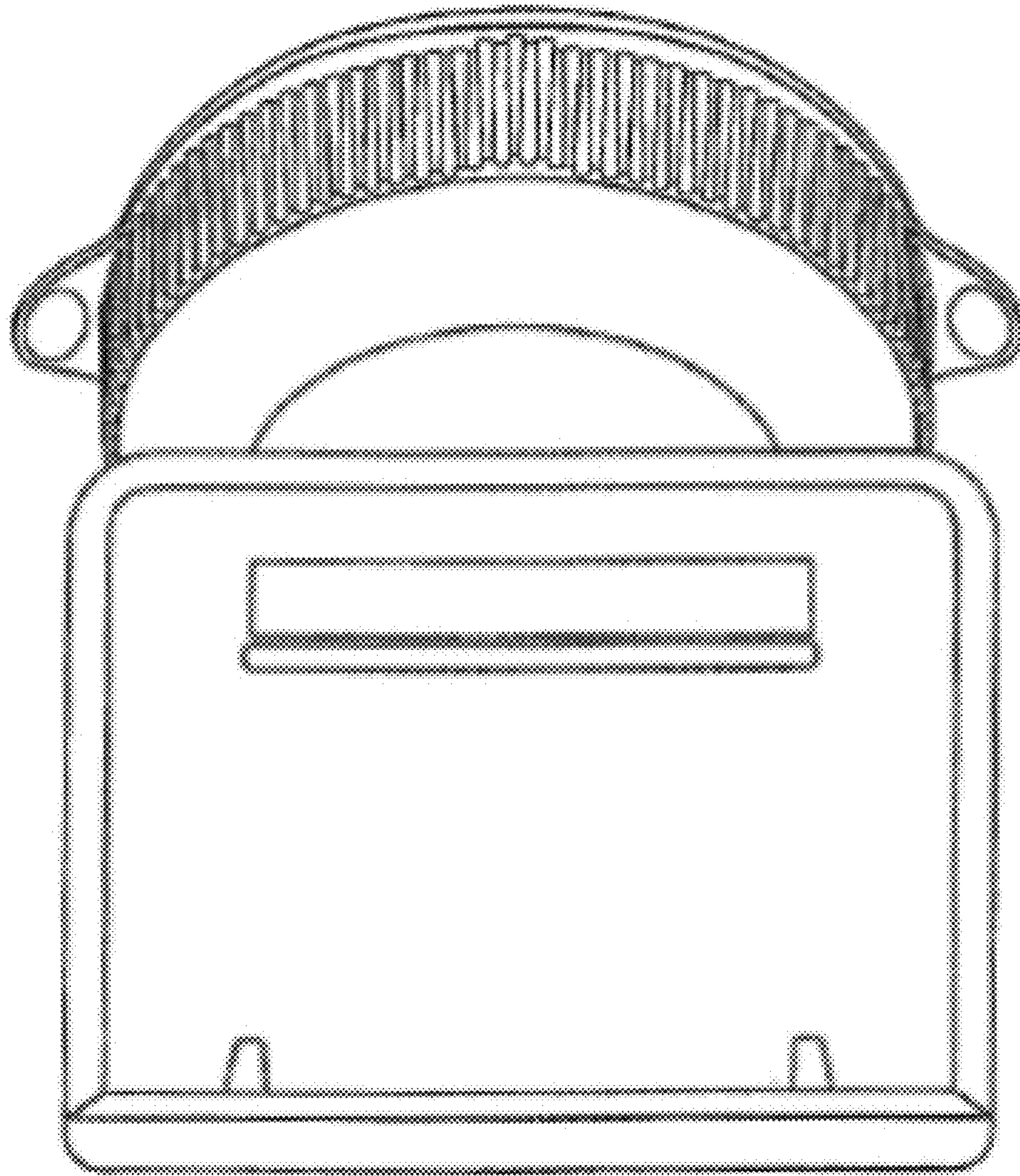


FIG. 2

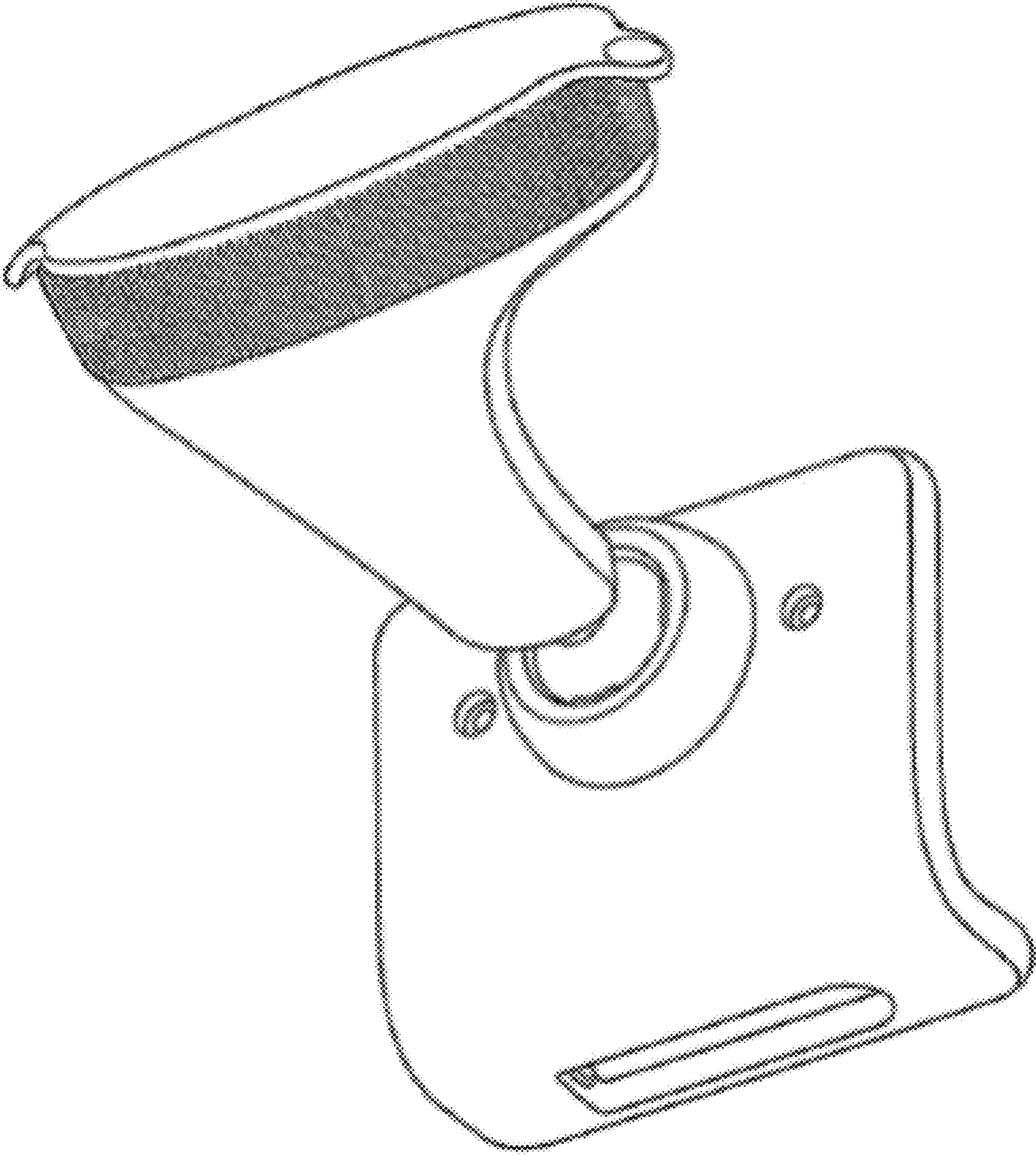


FIG. 3

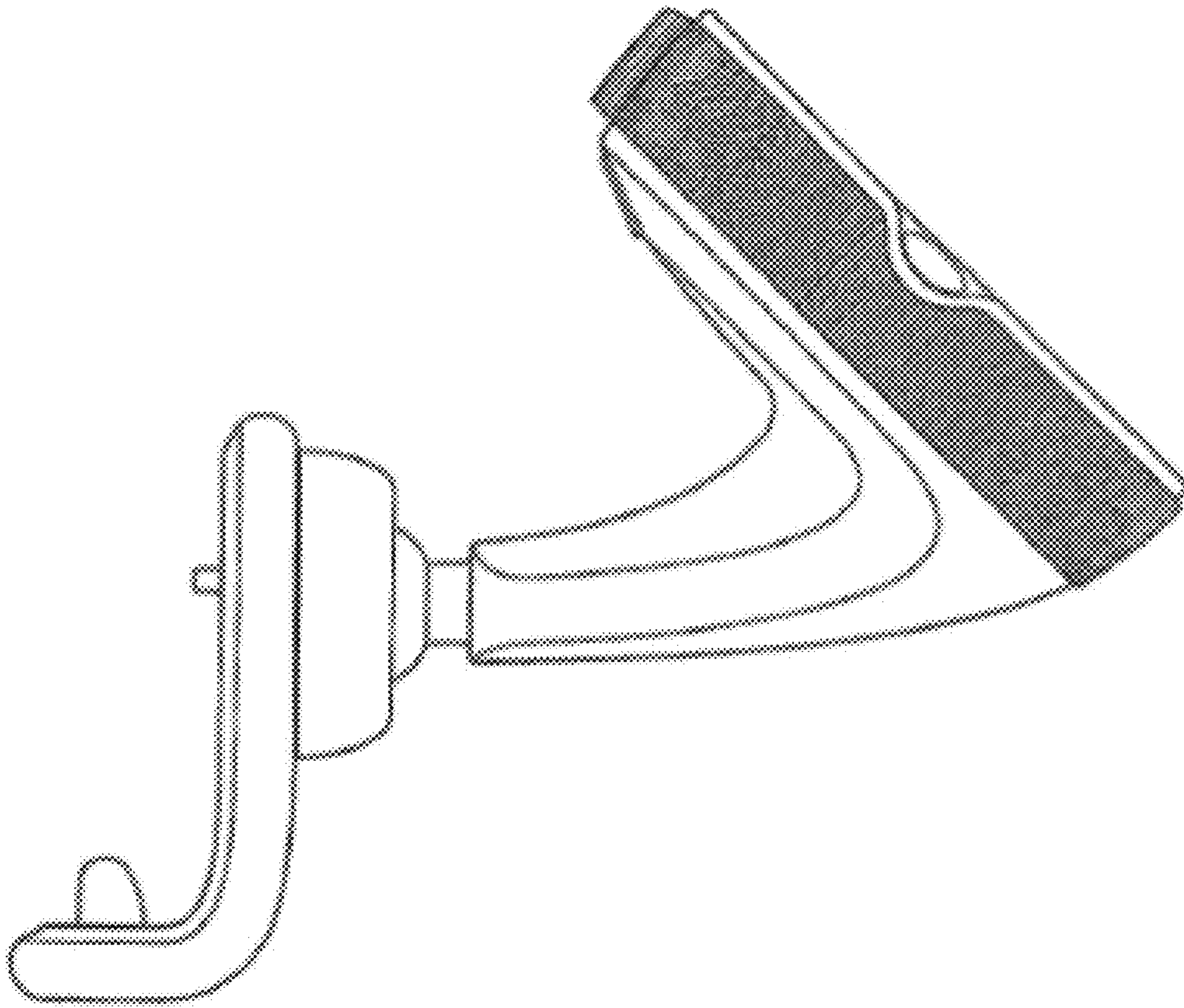


FIG. 4

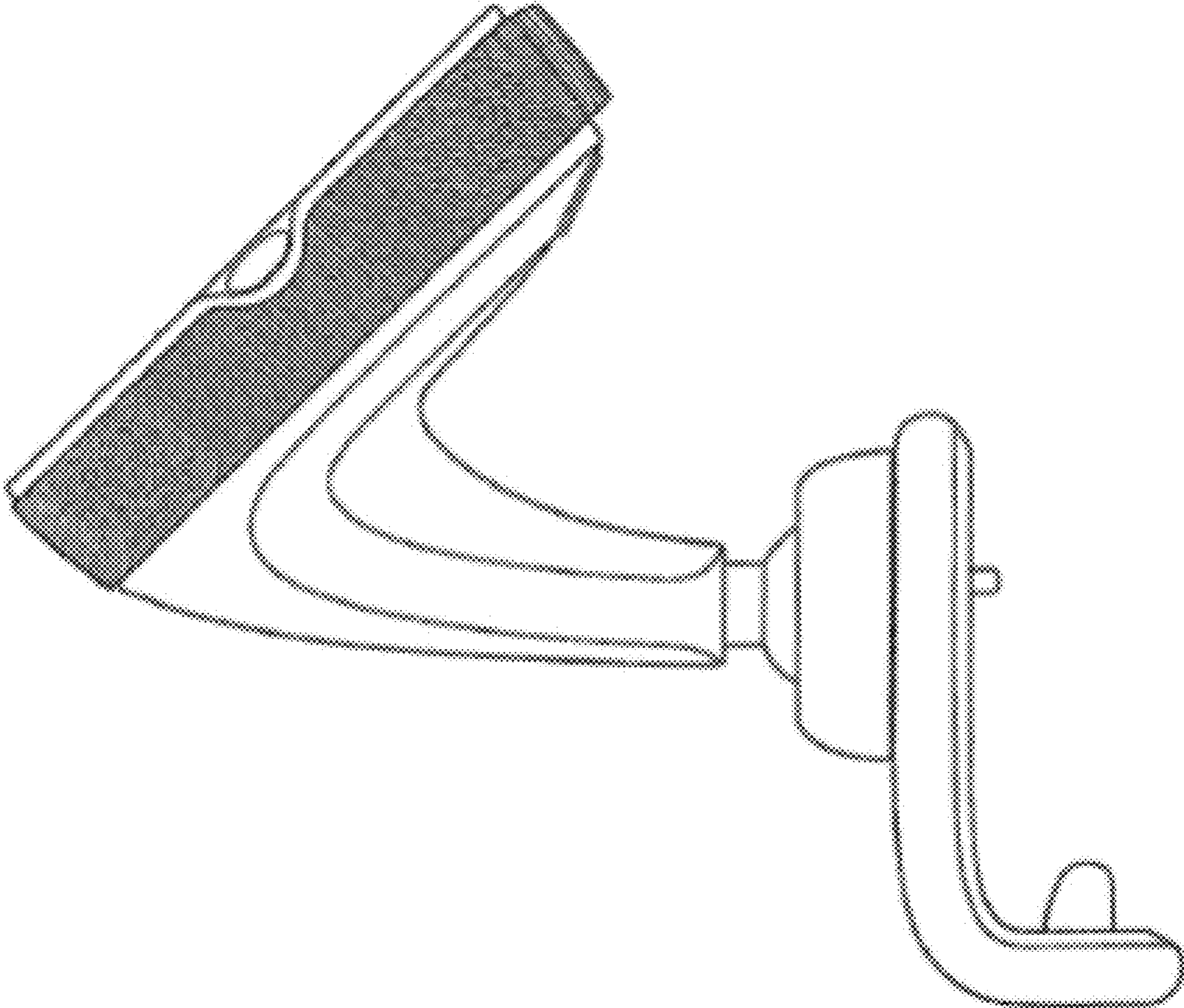


FIG. 5