



US00D659570S

(12) **United States Design Patent**
Hetke et al.

(10) **Patent No.:** **US D659,570 S**
(45) **Date of Patent:** **** May 15, 2012**

(54) **SHAPE MEASURING TAPE**

(75) Inventors: **Meghan Donnelly Hetke**, Walnut Creek, CA (US); **Eric Thompson**, San Francisco, CA (US); **Bill Smith**, San Francisco, CA (US); **Alexandra Levin**, San Francisco, CA (US); **Judy Guo**, San Francisco, CA (US); **Purin Phanichphant**, Palo Alto, CA (US); **Jesse Amos Silver**, San Francisco, CA (US); **Peter Riering-Czekalla**, Oakland, CA (US); **Gina Lynn Romero**, Soquel, CA (US); **Candice Patricia Tillitt**, San Francisco, CA (US)

(73) Assignee: **Levi Strauss & Co.**, San Francisco, CA (US)

(**) Term: **14 Years**

(21) Appl. No.: **29/376,488**

(22) Filed: **Oct. 7, 2010**

(51) **LOC (9) Cl.** **10-04**

(52) **U.S. Cl.** **D10/71**

(58) **Field of Classification Search** D10/71,
D10/74; 33/2 H, 2 R, 3 C, 15, 512, 755,
33/760, 764, 770, 511, 756, 759, 45, 11,
33/14, 16, 23.09, 555.1

See application file for complete search history.

(56) **References Cited**

U.S. PATENT DOCUMENTS

167,957 A 9/1875 Ullrich
519,090 A 5/1894 Newcomb

(Continued)

Primary Examiner — Antoine D Davis

(74) *Attorney, Agent, or Firm* — Aka Chan LLP

(57) **CLAIM**

The ornamental design for a shape measuring tape, as shown and described.

DESCRIPTION

FIG. 1 shows a perspective view of a first embodiment of a design of a shape measuring tape.

FIG. 2 shows a front view of the first embodiment of the design.

FIG. 3 shows a back view of the first embodiment of the design.

FIG. 4 shows a top view of the first embodiment of the design. FIG. 5 shows a close-up view of a portion of the first embodiment of the design indicated by the circle in FIG. 3.

FIG. 6 shows a perspective view of a second embodiment of a design of a shape measuring tape.

FIG. 7 shows a front view of the second embodiment of the design.

FIG. 8 shows a back view of the second embodiment of the design.

FIG. 9 shows a top view of the second embodiment of the design.

FIG. 10 shows a close-up view of a portion of the second embodiment of the design indicated by the circle in FIG. 8.

FIG. 11 shows a perspective view of a third embodiment of a design of a shape measuring tape.

FIG. 12 shows a front view of the third embodiment of the design.

FIG. 13 shows a back view of the third embodiment of the design.

FIG. 14 shows a top view of the third embodiment of the design.

FIG. 15 shows a close-up view of a portion of the third embodiment of the design indicated by the circle in FIG. 13.

FIG. 16 shows a perspective view of a fourth embodiment of a design of a shape measuring tape.

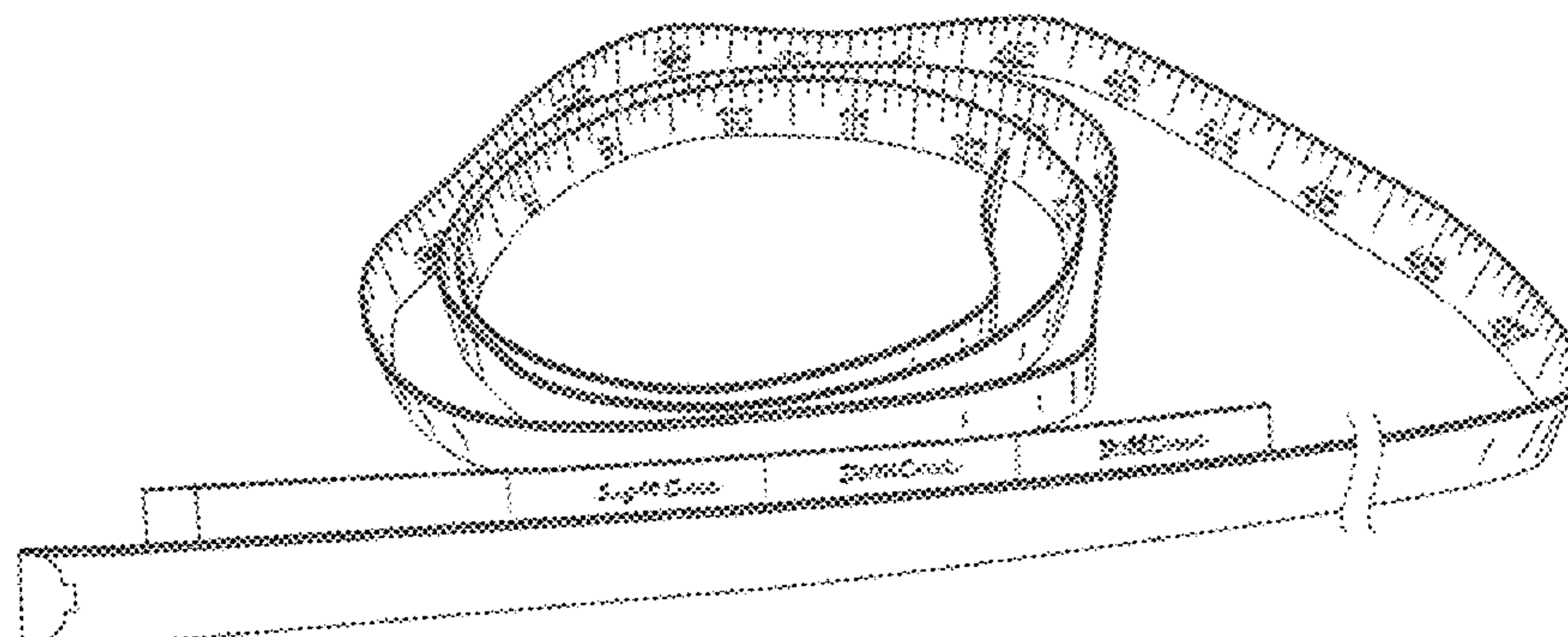
FIG. 17 shows a front view of the fourth embodiment of the design.

FIG. 18 shows a back view of the fourth embodiment of the design.

FIG. 19 shows a top view of the fourth embodiment of the design; and,

FIG. 20 shows a close-up view of a portion of the fourth embodiment of the design indicated by the circle in FIG. 18. Pairs of closely spaced, jagged broken lines in the figures are to indicate an indeterminate length. These and other broken-line features and text in the figures are for illustrative purposes only and form no part of the claimed design.

1 Claim, 12 Drawing Sheets



US D659,570 S

Page 2

U.S. PATENT DOCUMENTS

655,960	A	8/1900	Cunningham	1,278,107	A	9/1918	Cherrie et al.	
736,052	A	8/1903	Adamson	1,292,056	A	7/1919	Remy	
900,568	A	10/1908	Miles	1,784,888	A	12/1930	Couture	
942,338	A	12/1909	Morrison	D582,809	S *	12/2008	Apple	D10/71
988,683	A	4/1911	Wurtzel	7,685,727	B2	3/2010	Sieber	
1,096,975	A	5/1914	Watters	D648,235	S *	11/2011	Smith-Habelow	D10/71
1,248,035	A	11/1917	Taylor	2009/0193675	A1 *	8/2009	Sieber	33/759

* cited by examiner

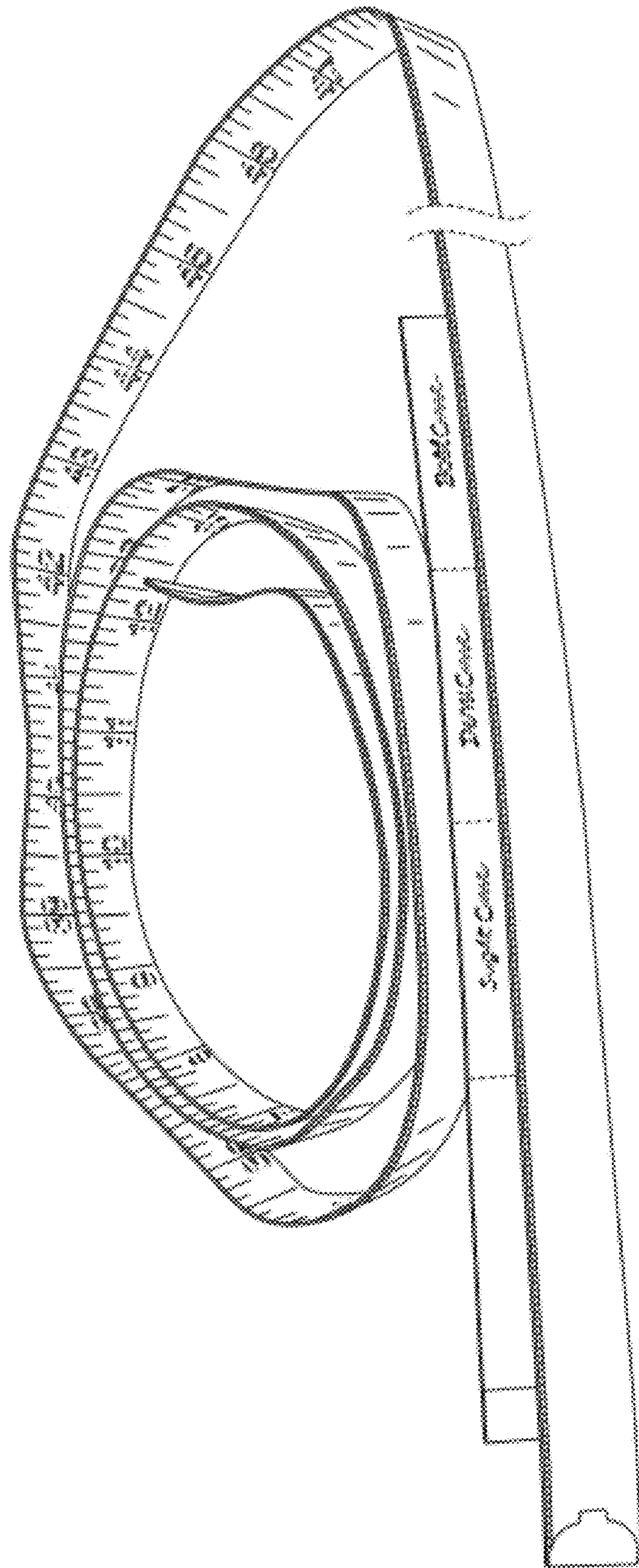


FIG. 1

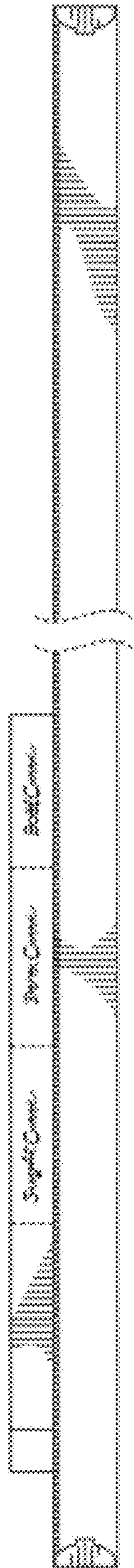


FIG. 2

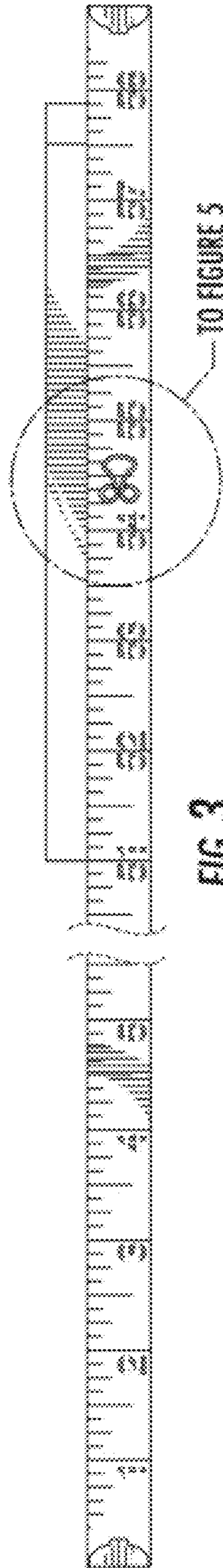


FIG. 3

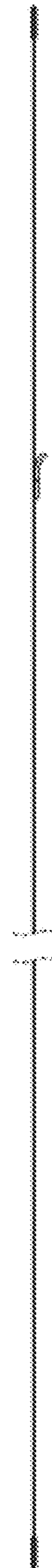


FIG. 4

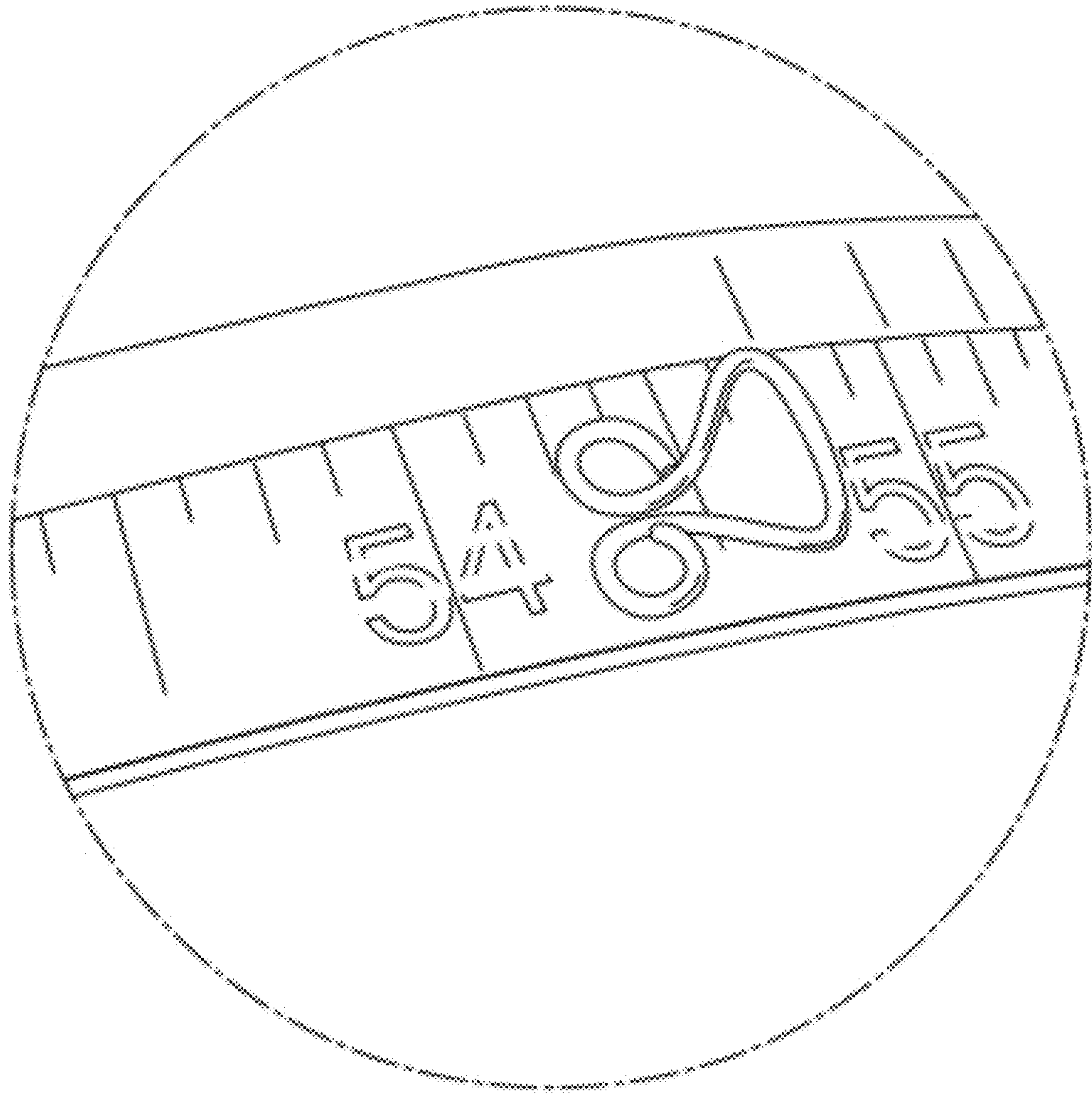


FIG. 5

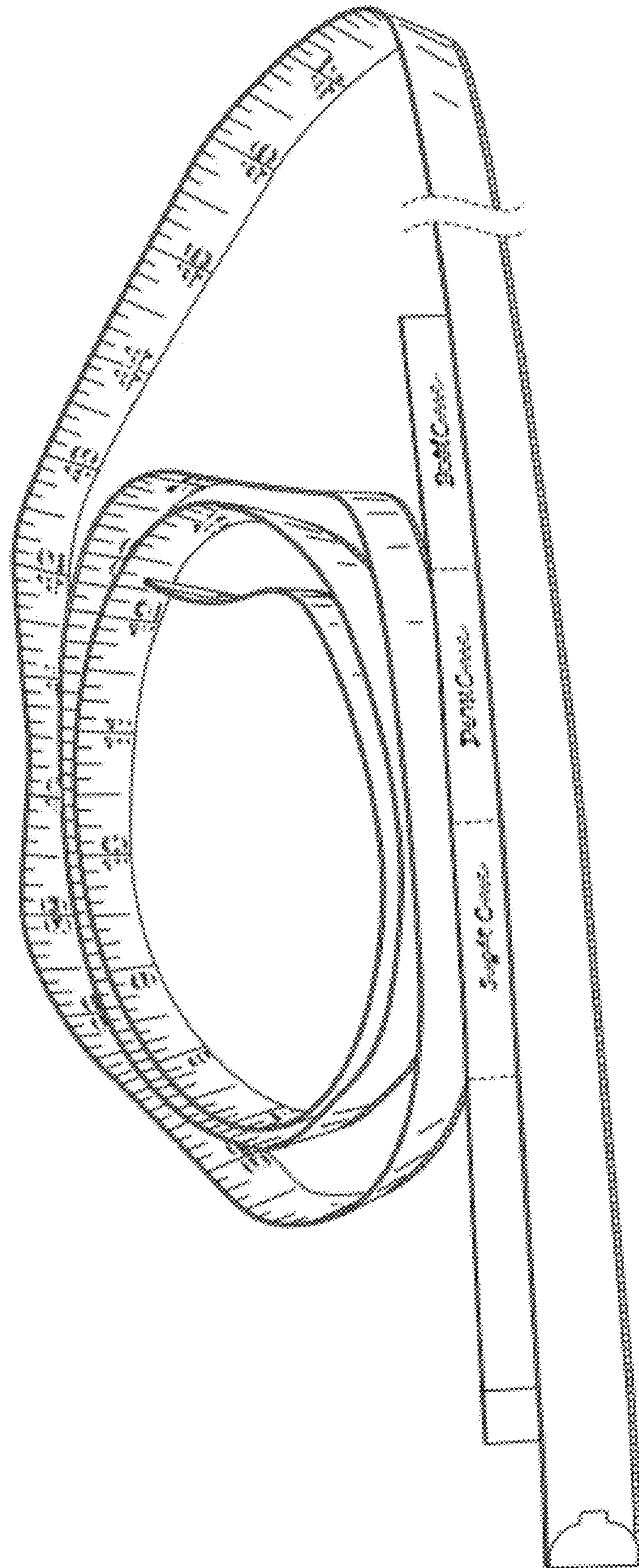
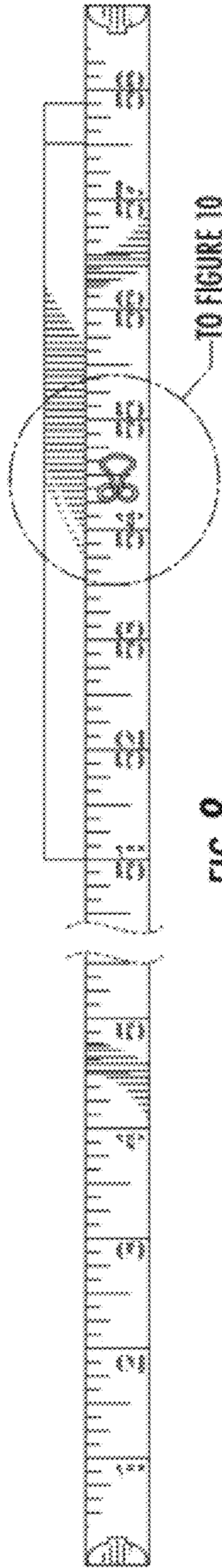
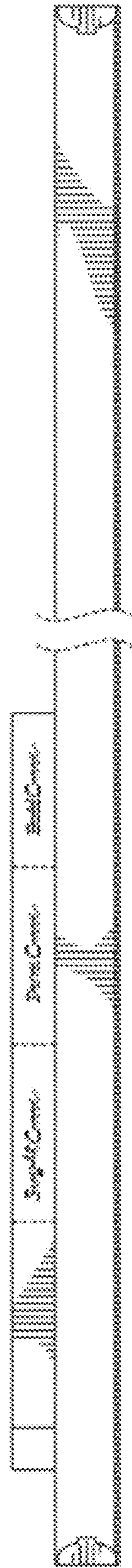


FIG. 6



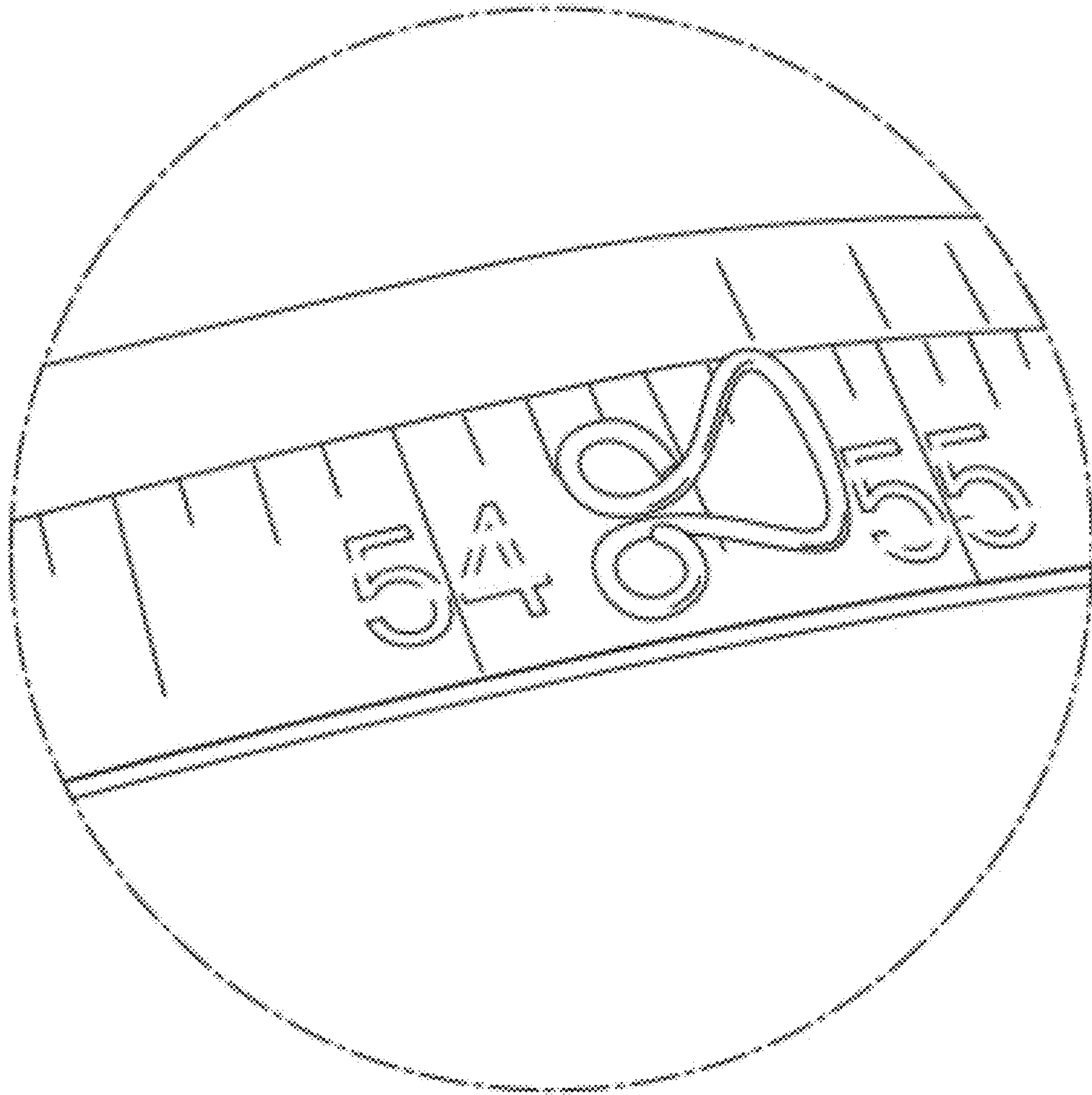


FIG. 10

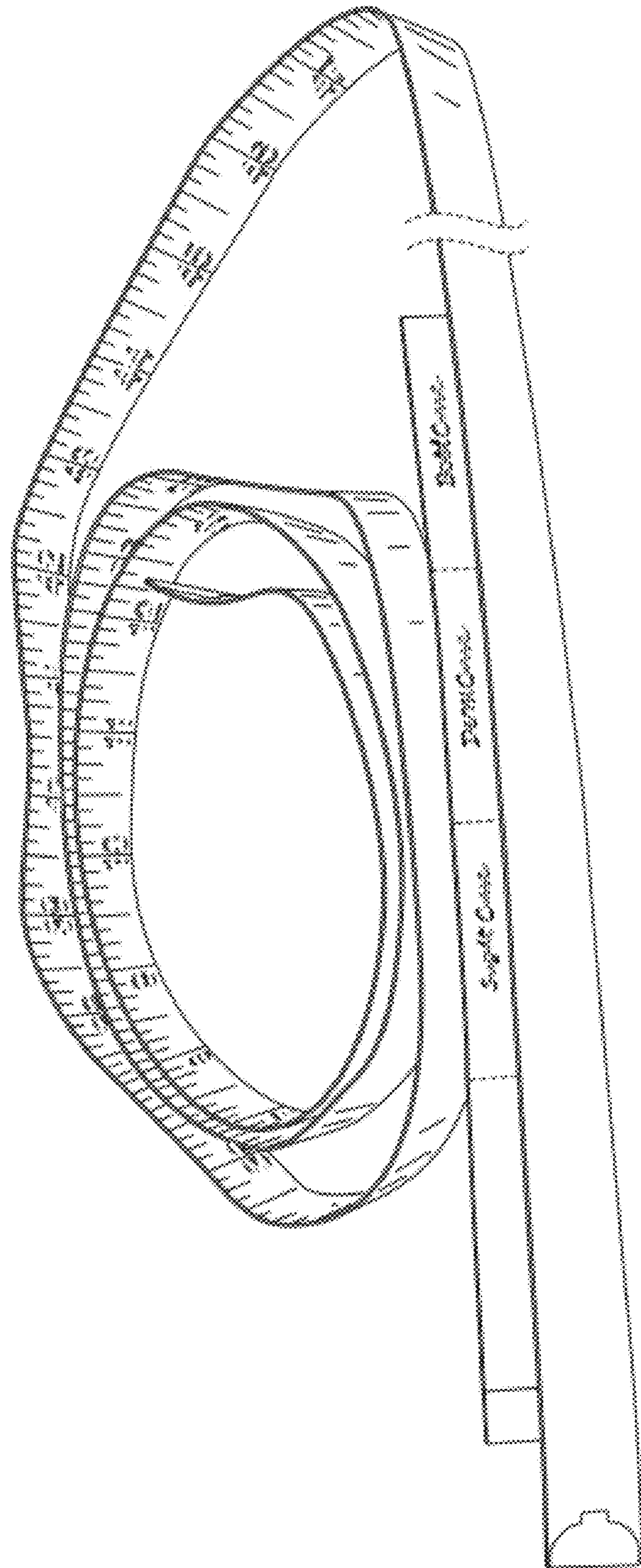


FIG. 11

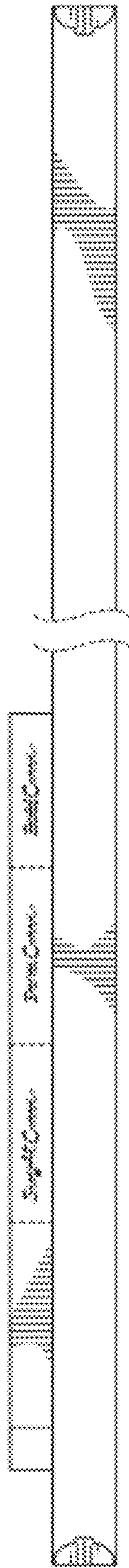


FIG. 12



FIG. 13

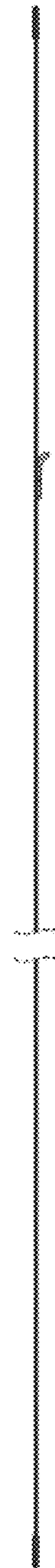


FIG. 14

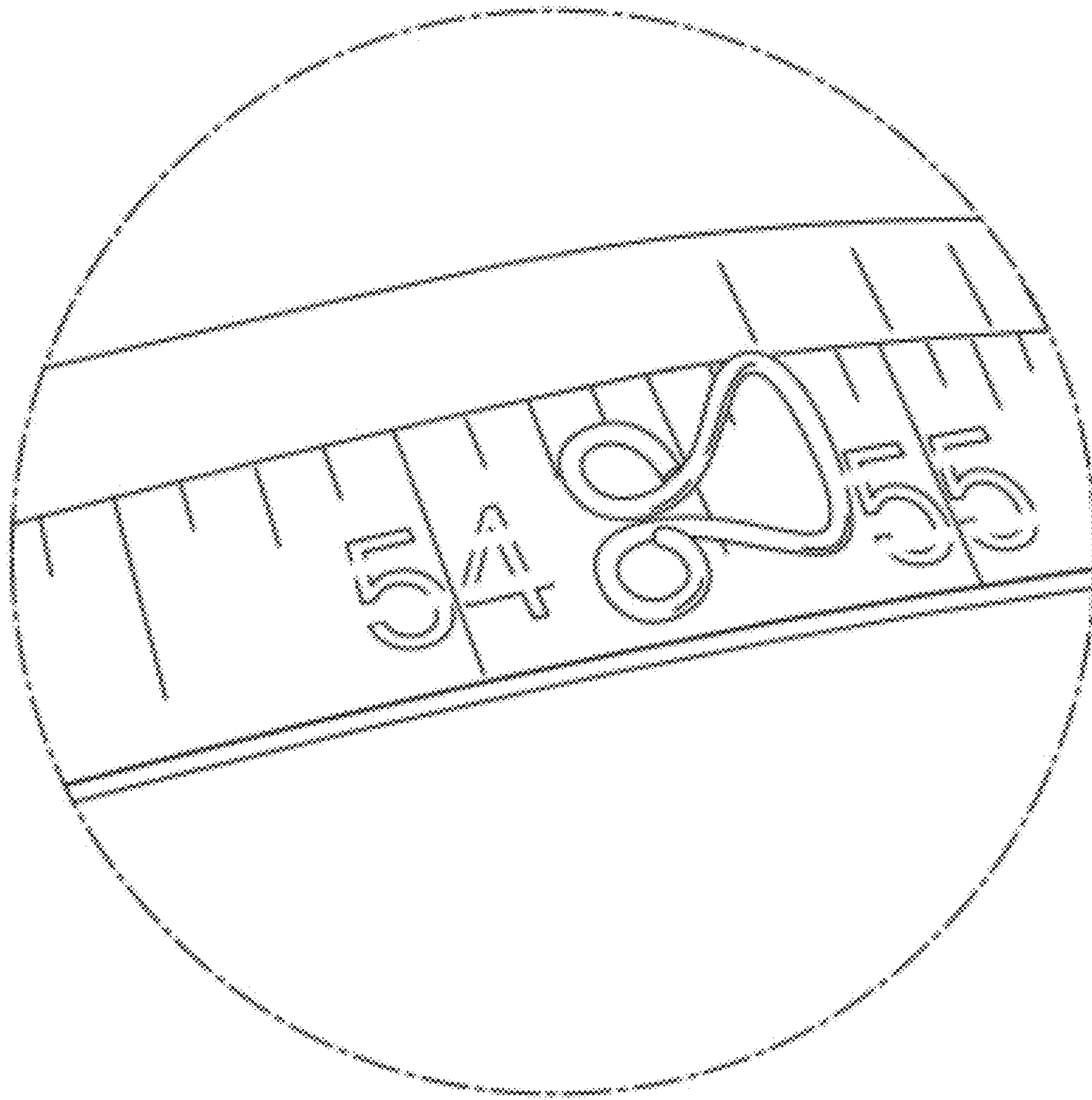


FIG. 15

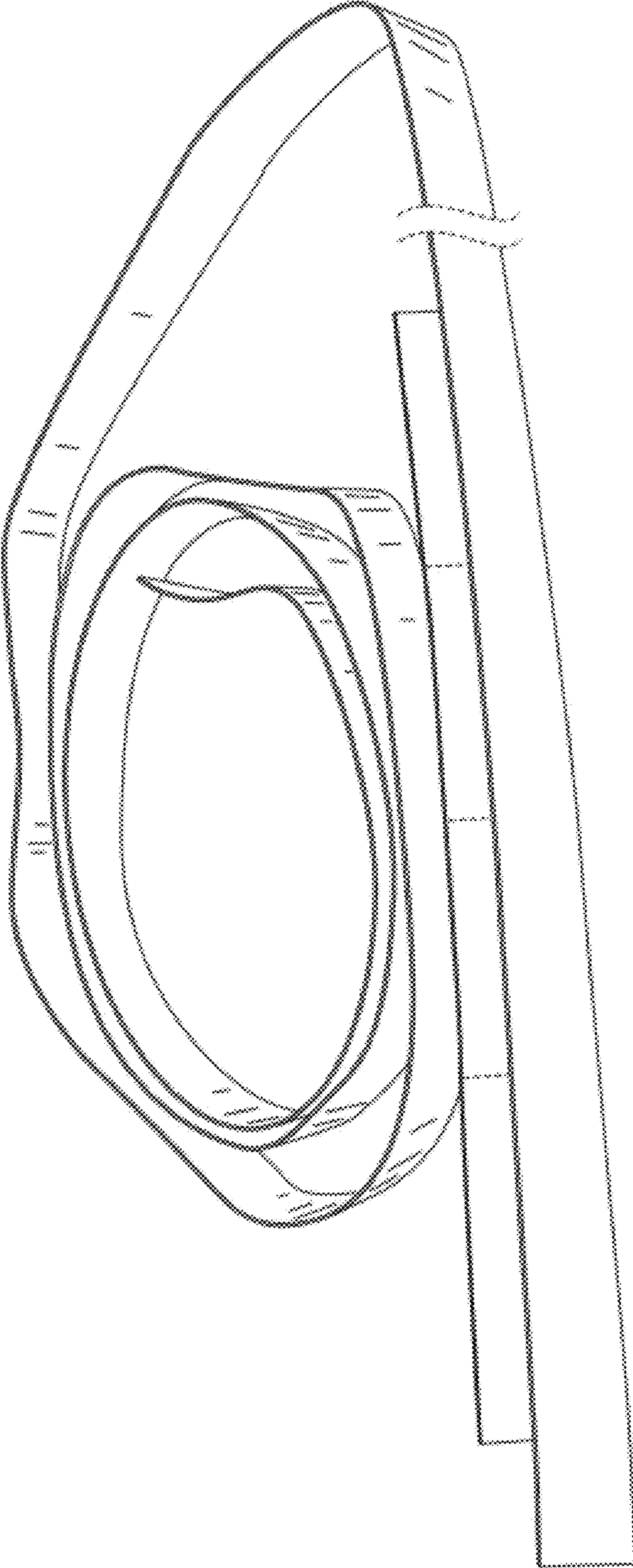


FIG. 16

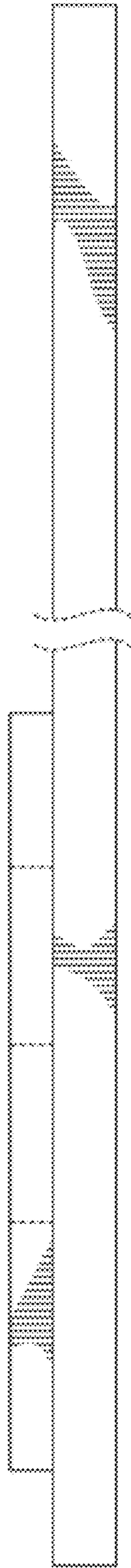


FIG. 17

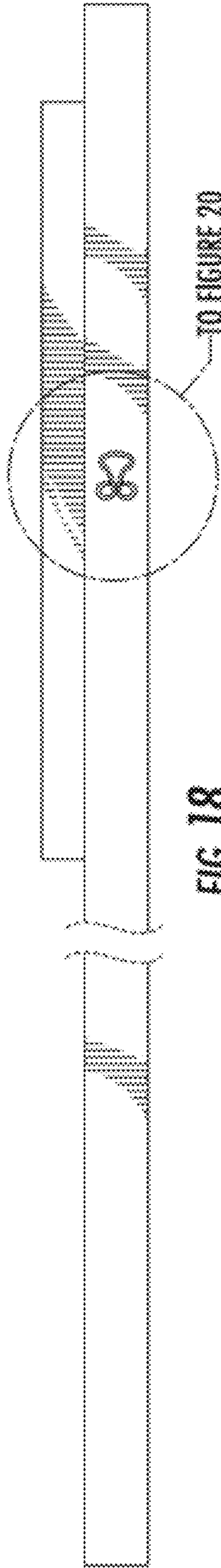


FIG. 18

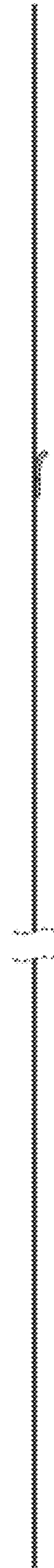


FIG. 19

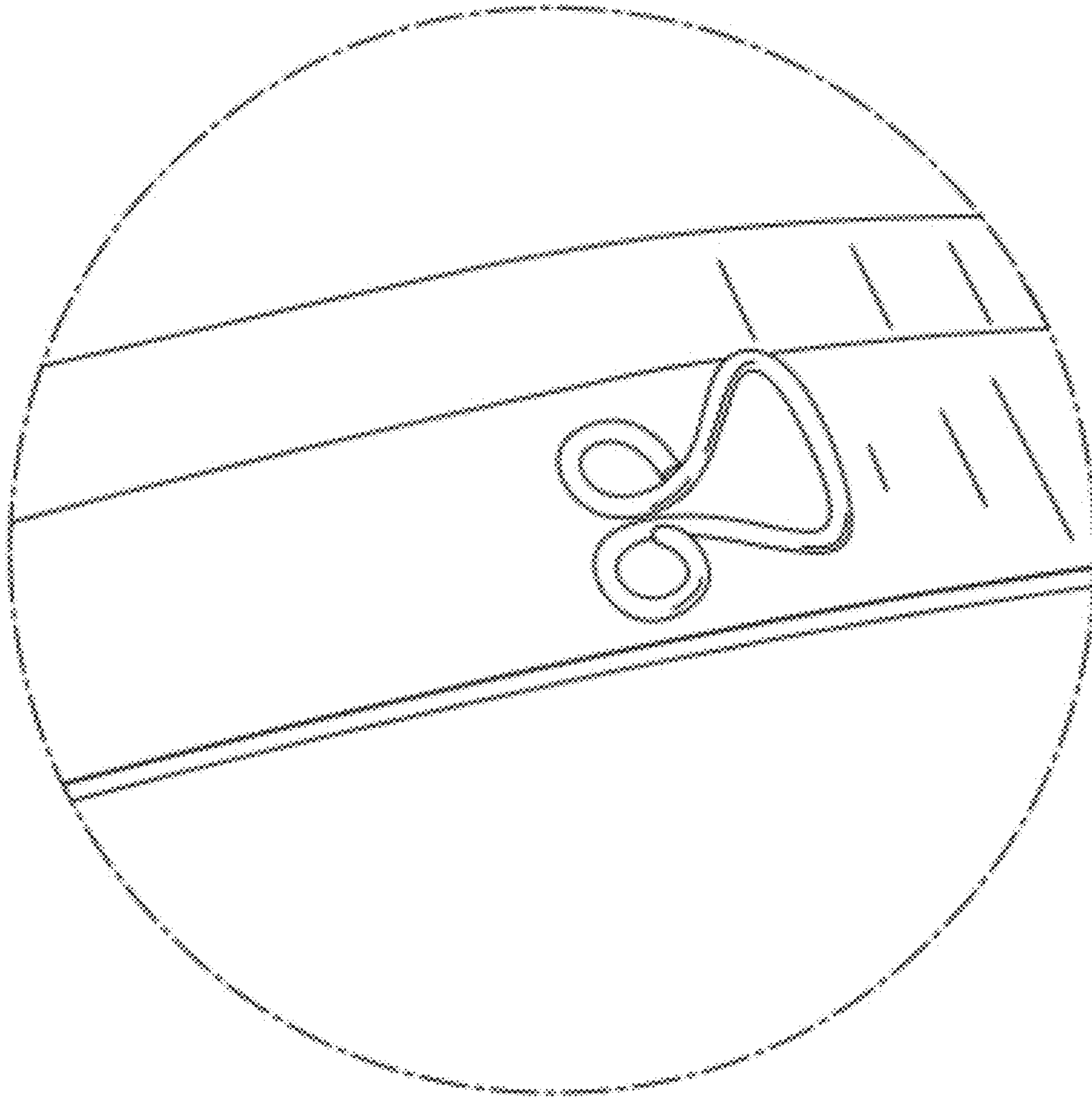


FIG. 20