



US00D659566S

(12) **United States Design Patent**
Register et al.

(10) **Patent No.:** **US D659,566 S**

(45) **Date of Patent:** **** May 15, 2012**

(54) **ELECTRONIC DEVICE**

(75) Inventors: **Todd P. Register**, Olathe, KS (US);
Peter J. Henne, Overland Park, KS
(US); **Daniel E. DeBrunner**, Kansas
City, MO (US)

(73) Assignee: **Garmin Switzerland GmbH** (CH)

(**) Term: **14 Years**

(21) Appl. No.: **29/393,137**

(22) Filed: **May 31, 2011**

(51) **LOC (9) Cl.** **10-04**

(52) **U.S. Cl.** **D10/65; D10/70**

(58) **Field of Classification Search** D10/65,
D10/70, 104.2, 106.6; D14/315, 336, 337,
D14/341, 342, 343, 240-242, 356-358, 371,
D14/140.1-140.6, 140, 155, 159, 137, 149,
D14/150, 217, 170-171, 125, 188, 203.3,
D14/203.4, 203.7; 342/386, 351, 419, 457,
342/357.2-357.78, 450, 458; 343/702; 345/87,
345/104, 133, 156, 168, 173, 901-905; 348/180,
348/184, 315, 739; 364/444, 499; 701/206-209,
701/213, 214

See application file for complete search history.

(56) **References Cited**

U.S. PATENT DOCUMENTS

D594,358	S	*	6/2009	Lammers-Meis et al.	D10/65
D596,513	S	*	7/2009	Lammers-Meis et al.	D10/65
D611,366	S	*	3/2010	Register et al.	D10/65
D632,984	S	*	2/2011	Register et al.	D10/65
D644,542	S	*	9/2011	Henne et al.	D10/65
D644,543	S	*	9/2011	Henne et al.	D10/65
2010/0070171	A1	*	3/2010	Barbeau et al.	701/207
2010/0311478	A1	*	12/2010	Knoppert et al.	455/575.4
2011/0238676	A1	*	9/2011	Liu et al.	707/752

OTHER PUBLICATIONS

Garmin's Dakota® Press Release: <http://www8.garmin.com/ces/colorado/>; published Jan. 3, 2008.

Garmin's eTrex Legend® C Press Release: <http://www8.garmin.com/pressroom/outdoor/071204.html>; published Jul. 12, 2004.

Garmin's GPSMAP® 62 Press Release: <http://garmin.blogs.com/pr/2010/06/garmin-unveils-gpsmap-62-series-updating-iconic-outdoor-handheld-.html?activeBranchId=newsroom>; published Jun. 2, 2010.

Magellan eXplorist GC Waterproof Geocaching GPS: http://www.amazon.com/Magellan-eXplorist-GC-Waterproof-Geocaching/dp/B003CYKYVQ/ref=sr_1_1?ie=UTF8&qid=1306523687&sr=8-1; published prior to May 31, 2011.

* cited by examiner

Primary Examiner — Antoine D Davis

(74) *Attorney, Agent, or Firm* — Samuel M. Korte

(57) **CLAIM**

The ornamental design for an electronic device, as shown and described.

DESCRIPTION

FIG. 1 is a front perspective view of an electronic device according to embodiments of the present invention; FIG. 2 is a rear perspective view of the electronic device; FIG. 3 is a top view of the electronic device; FIG. 4 is a front view of the electronic device; FIG. 5 is a rear view of the electronic device; FIG. 6 is a bottom view of the electronic device; FIG. 7 is a left side view of the electronic device; and, FIG. 8 is a right side view of the electronic device. Portions of FIGS. 1 through 8 are shown in dashed lines for illustrative purposes only and form no part of the claimed design.

1 Claim, 4 Drawing Sheets

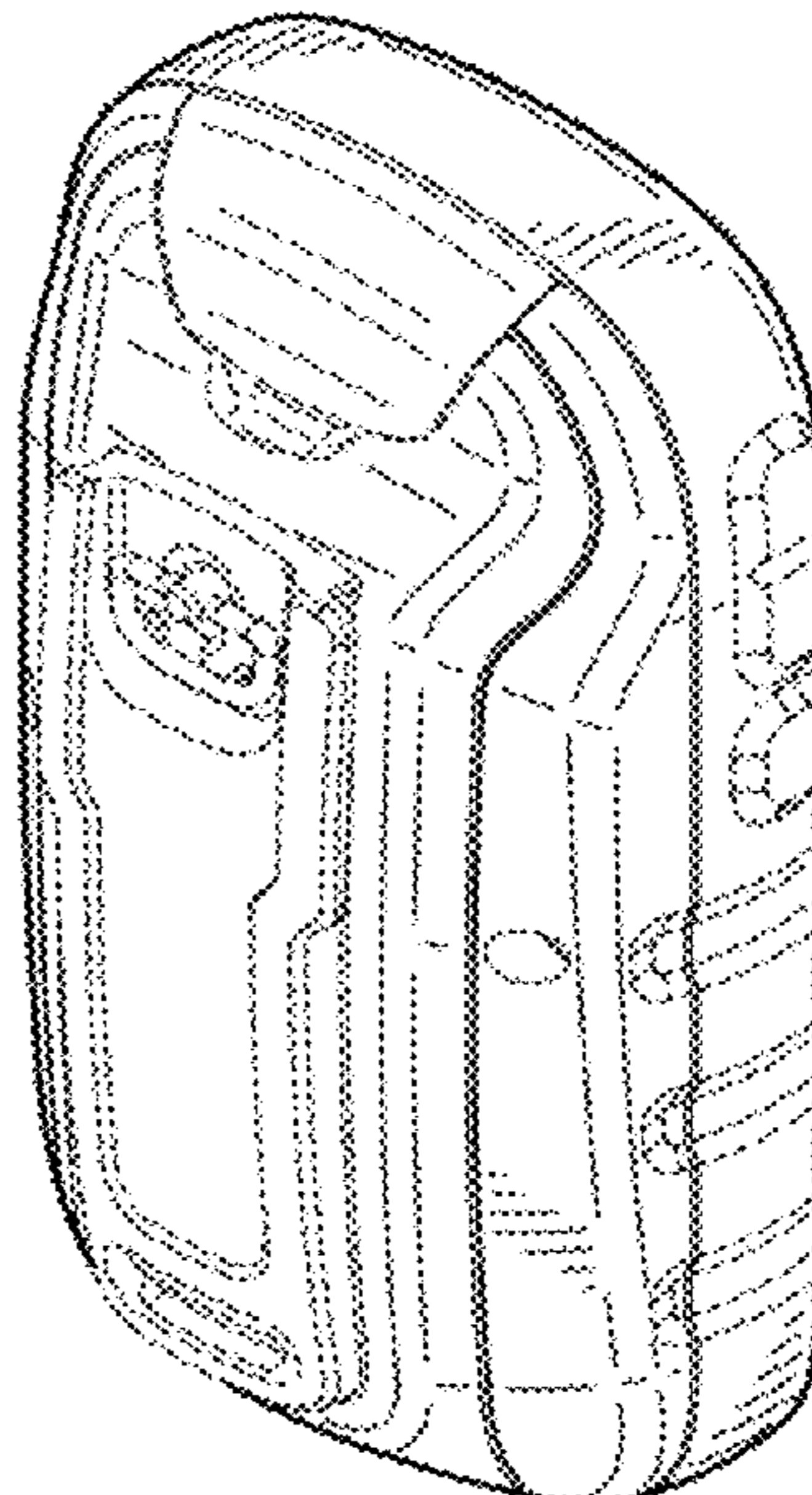
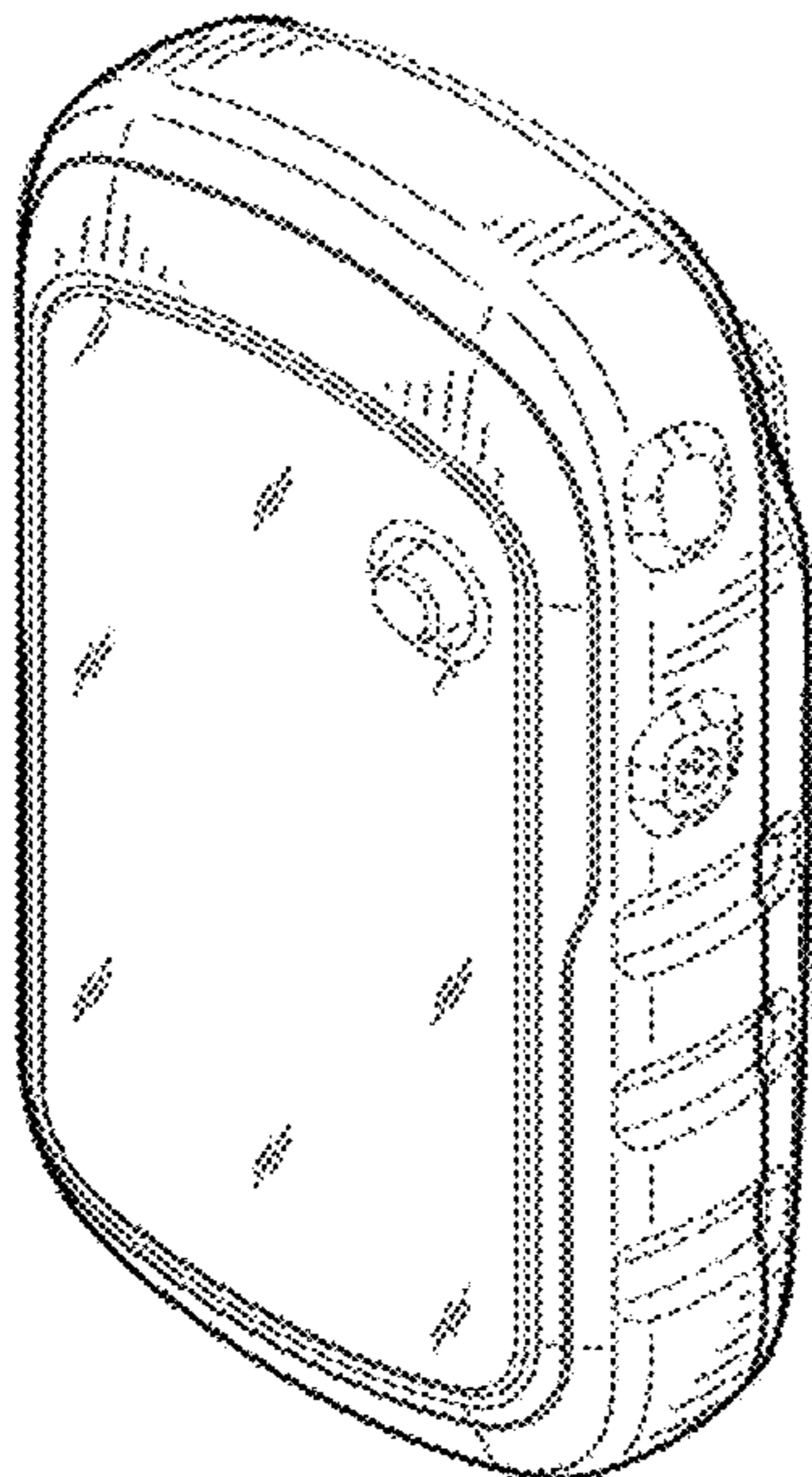


Fig. 1

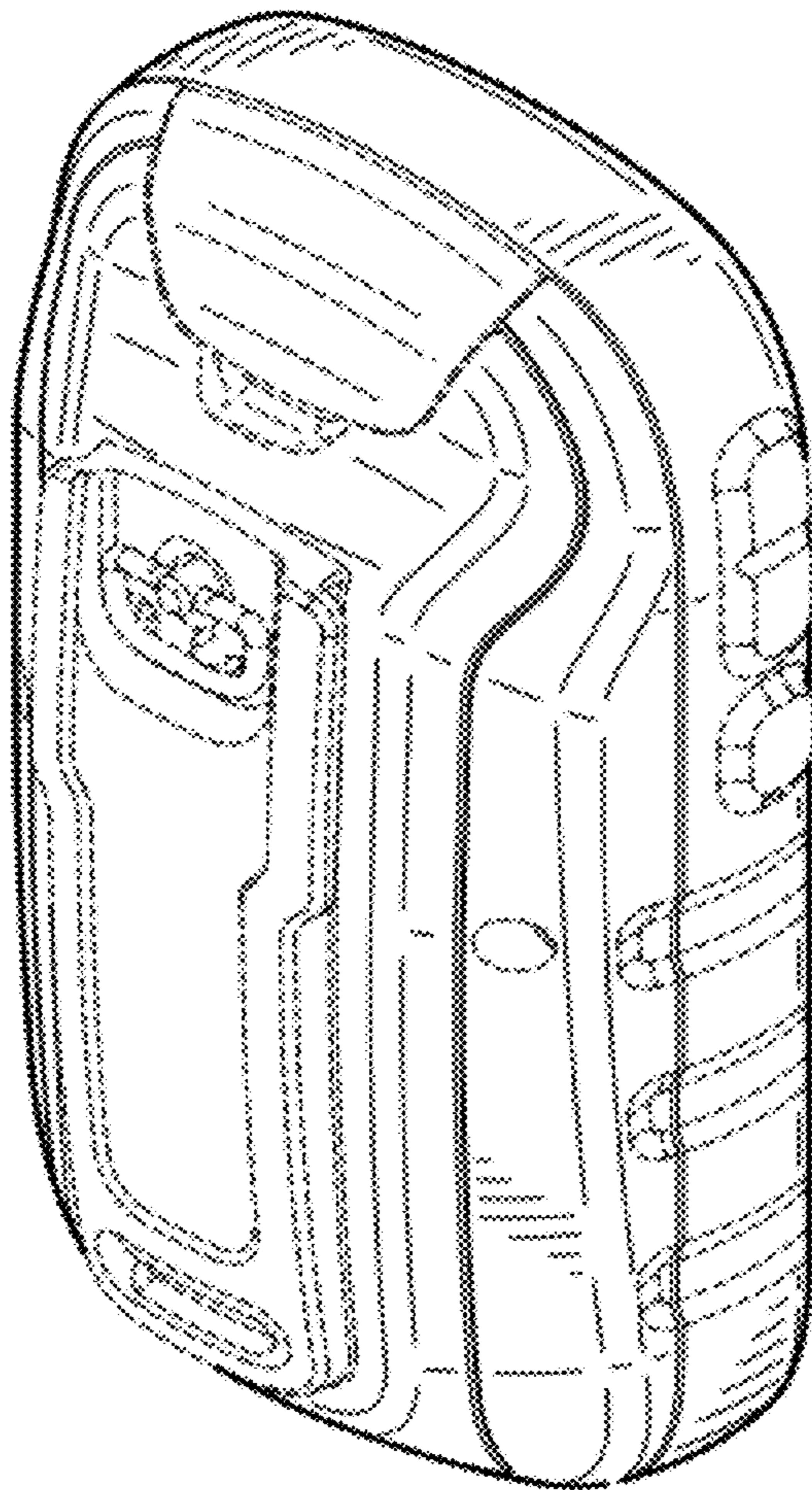
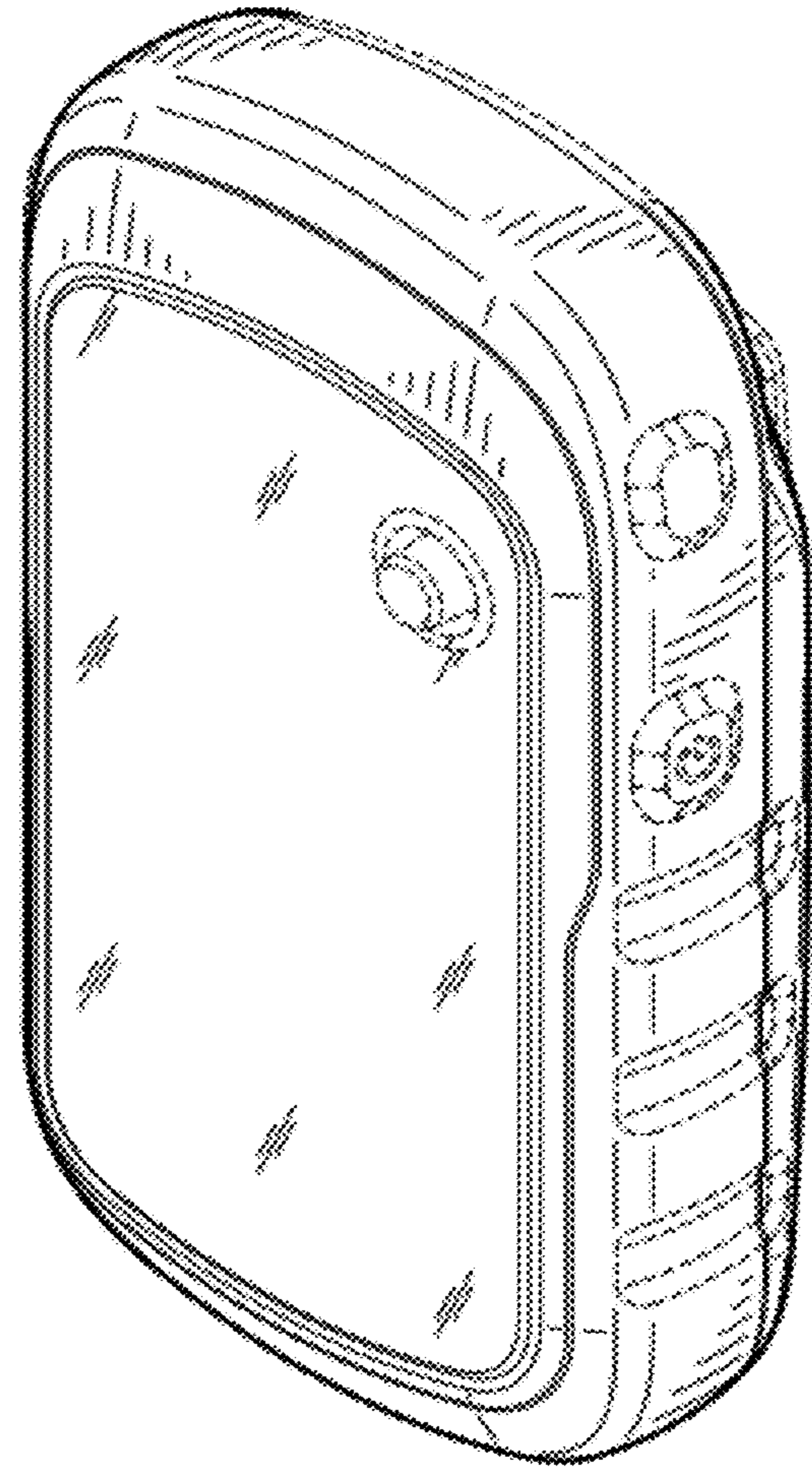


Fig. 2

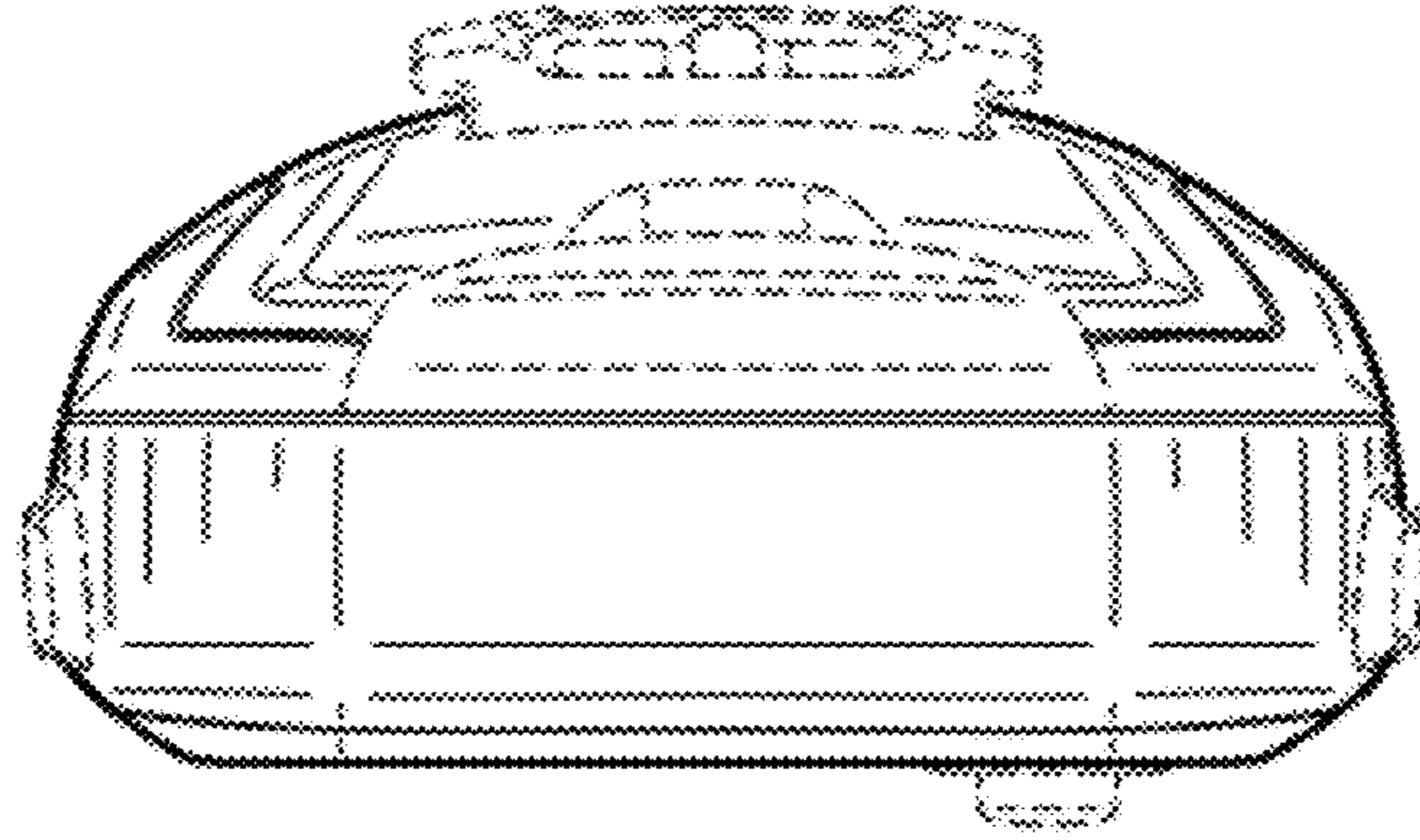


Fig. 3

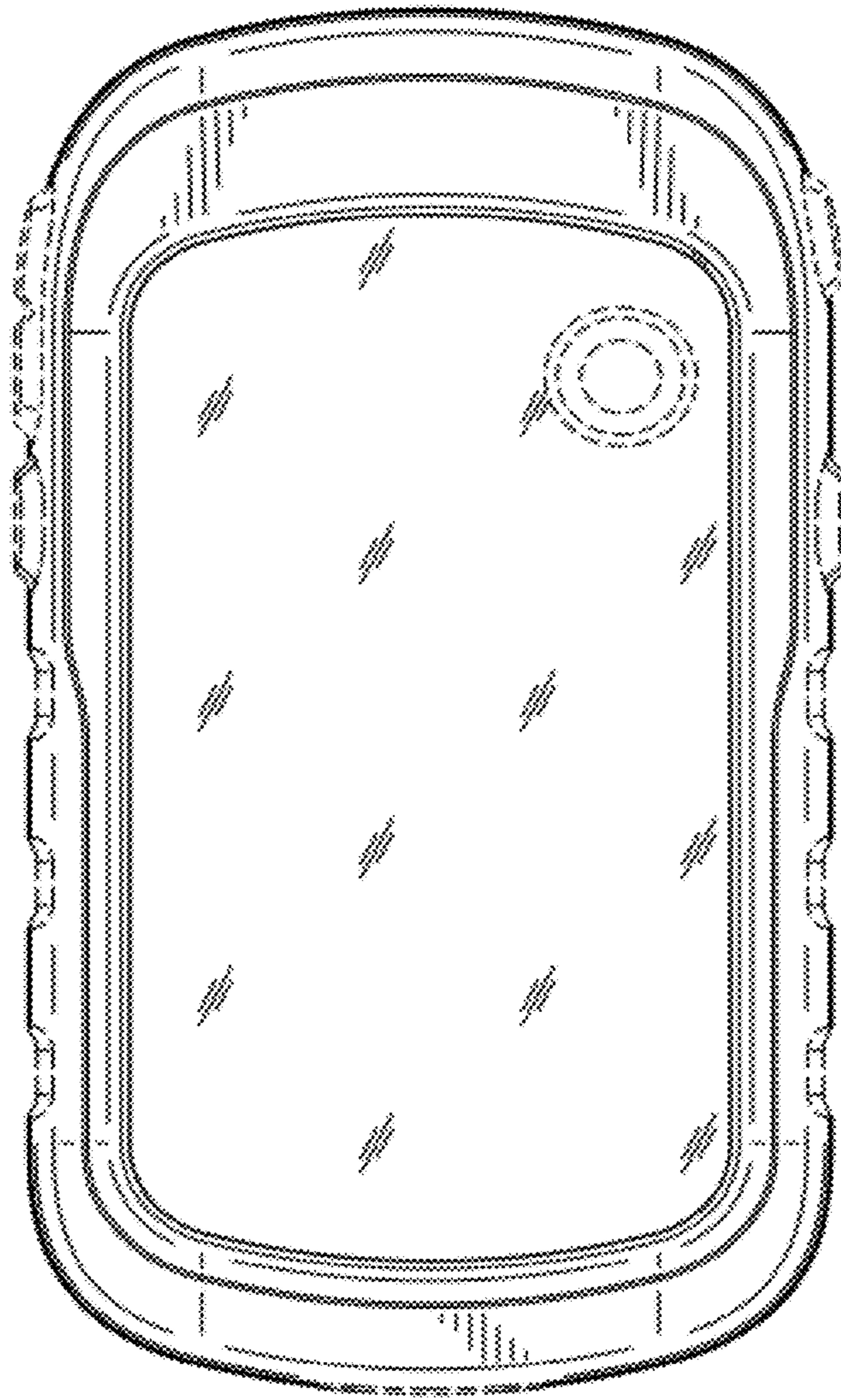


Fig. 4

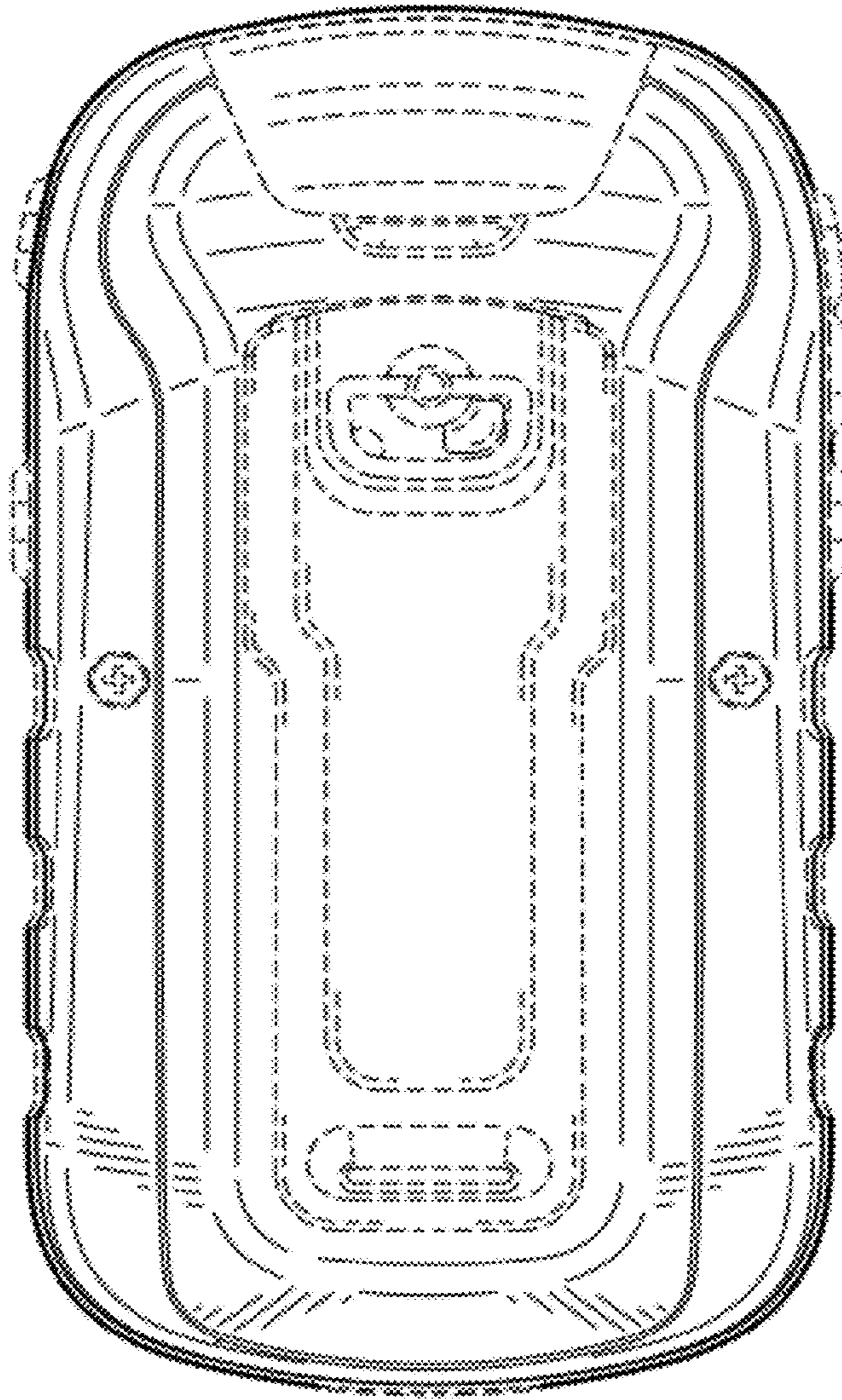


Fig. 5

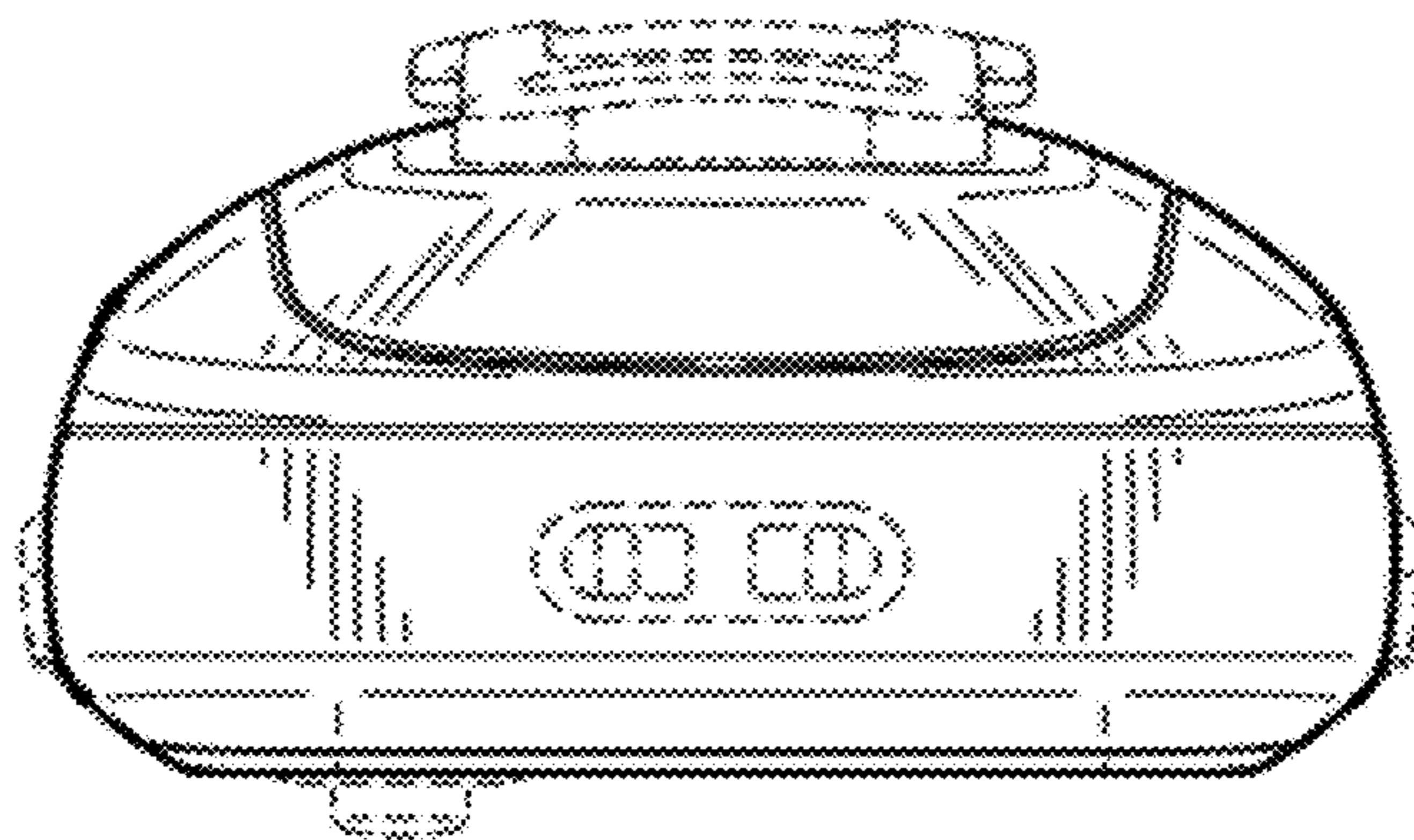


Fig. 6

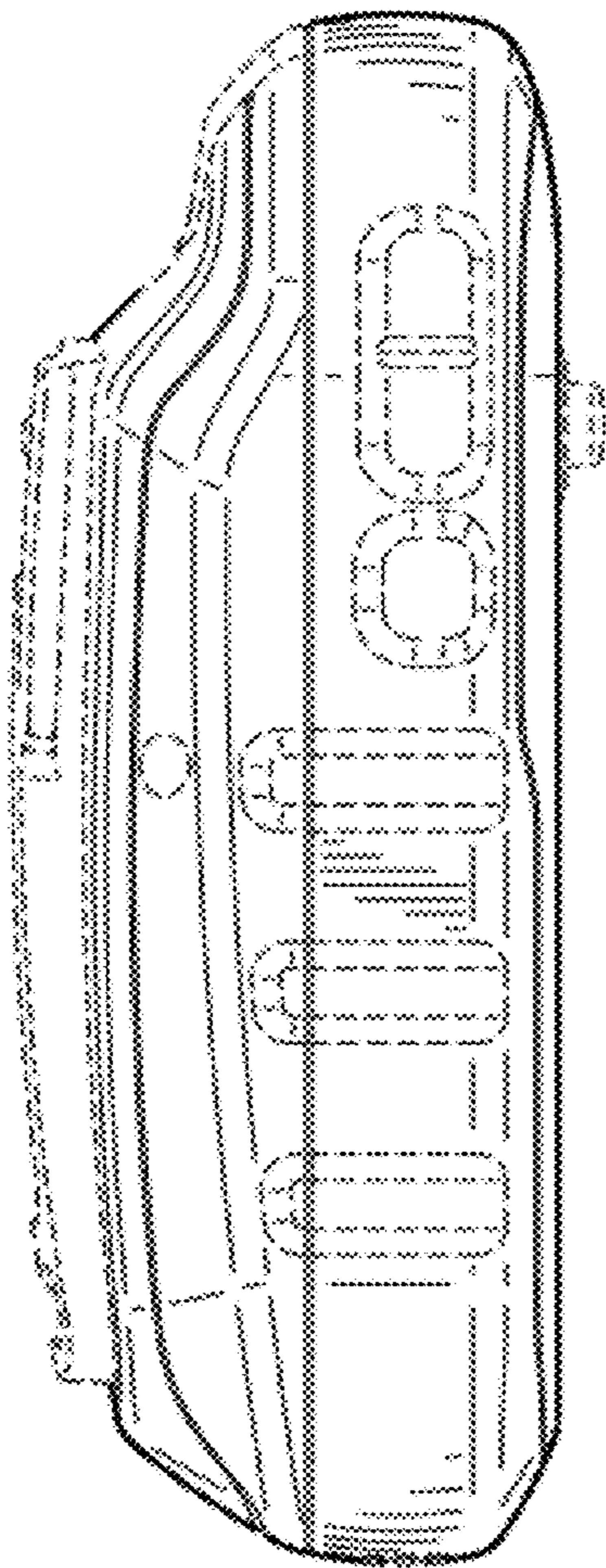


Fig. 7

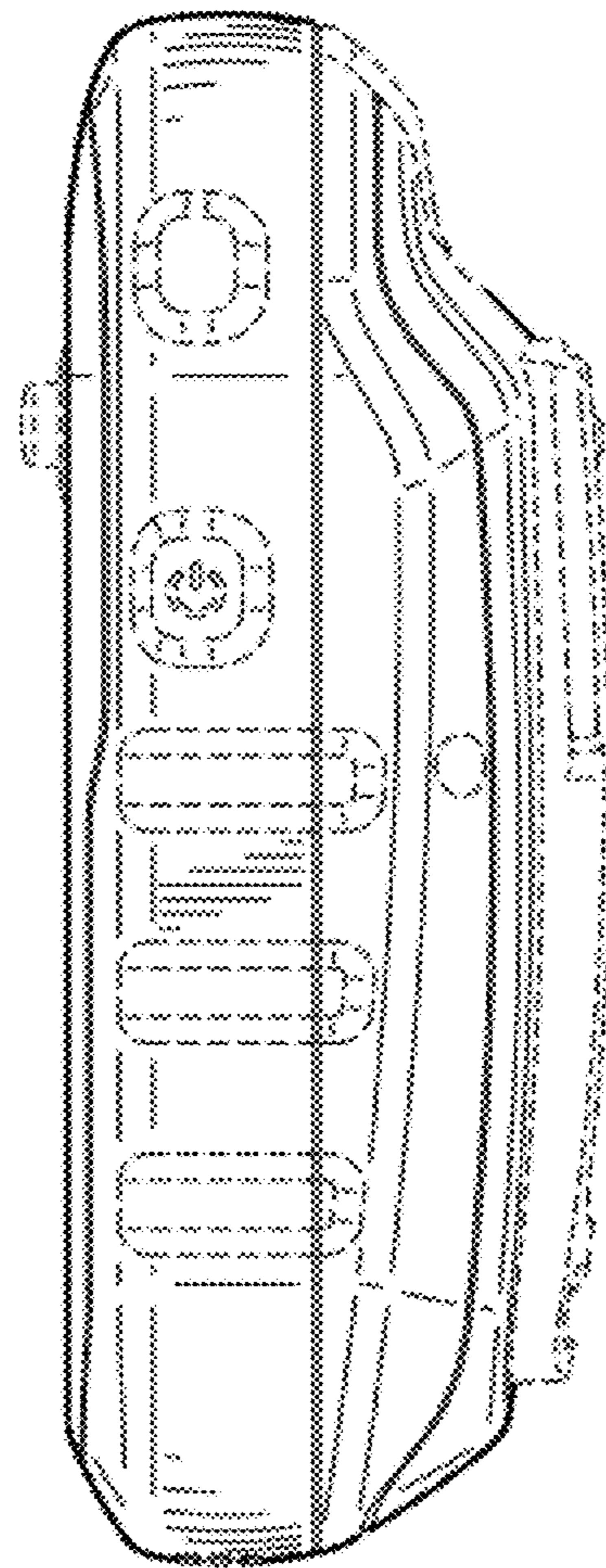


Fig. 8