



US00D659565S

(12) **United States Design Patent**  
**Bowman et al.**

(10) **Patent No.:** **US D659,565 S**  
(45) **Date of Patent:** **\*\* May 15, 2012**

(54) **ELECTRONIC DEVICE**

(75) Inventors: **Marcos J. Bowman**, Overland Park, KS (US); **Surajit Bhaduri**, Overland Park, KS (US)

(73) Assignee: **Garmin Switzerland GmbH** (CH)

(\*\*) Term: **14 Years**

(21) Appl. No.: **29/388,153**

(22) Filed: **Mar. 24, 2011**

(51) **LOC (9) Cl.** ..... **10-04**

(52) **U.S. Cl.** ..... **D10/65; D10/70**

(58) **Field of Classification Search** ..... D10/65, D10/70, 104.2, 106.6; D14/315, 336, 337, D14/341, 342, 343, 240-242, 356-358, 371, D14/140.1-140.6, 140, 155, 159, 137, 149, D14/150, 217, 170-171, 125, 188, 203.3, D14/203.4, 203.7; 342/386, 351, 419, 457, 342/357.2-357.78, 450, 458; 343/702; 345/87, 345/104, 133, 156, 168, 173, 901-905; 348/180, 348/184, 315, 739; 364/444, 499; 701/206-209, 701/213, 214

See application file for complete search history.

(56) **References Cited**

**U.S. PATENT DOCUMENTS**

D539,677 S \* 4/2007 Riddiford ..... D10/65  
D540,205 S \* 4/2007 Hsu ..... D10/65  
7,366,609 B2 \* 4/2008 Lee ..... 701/213

D574,271 S \* 8/2008 Stevens et al. .... D10/65  
D580,803 S \* 11/2008 Whittaker ..... D10/65  
2008/0057888 A1 \* 3/2008 Shoykhet et al. .... 455/161.1  
2008/0218408 A1 \* 9/2008 Davis et al. .... 342/357.06

**OTHER PUBLICATIONS**

Apple iPad, published prior to Mar. 24, 2011.  
Apple iPhone 3GS, published prior to Mar. 24, 2011.  
Bendix King AV8OR Ace, published prior to Mar. 24, 2011.  
Garmin Aera 510, published 2009.

\* cited by examiner

*Primary Examiner* — Antoine D Davis

(74) *Attorney, Agent, or Firm* — Samuel M. Korte

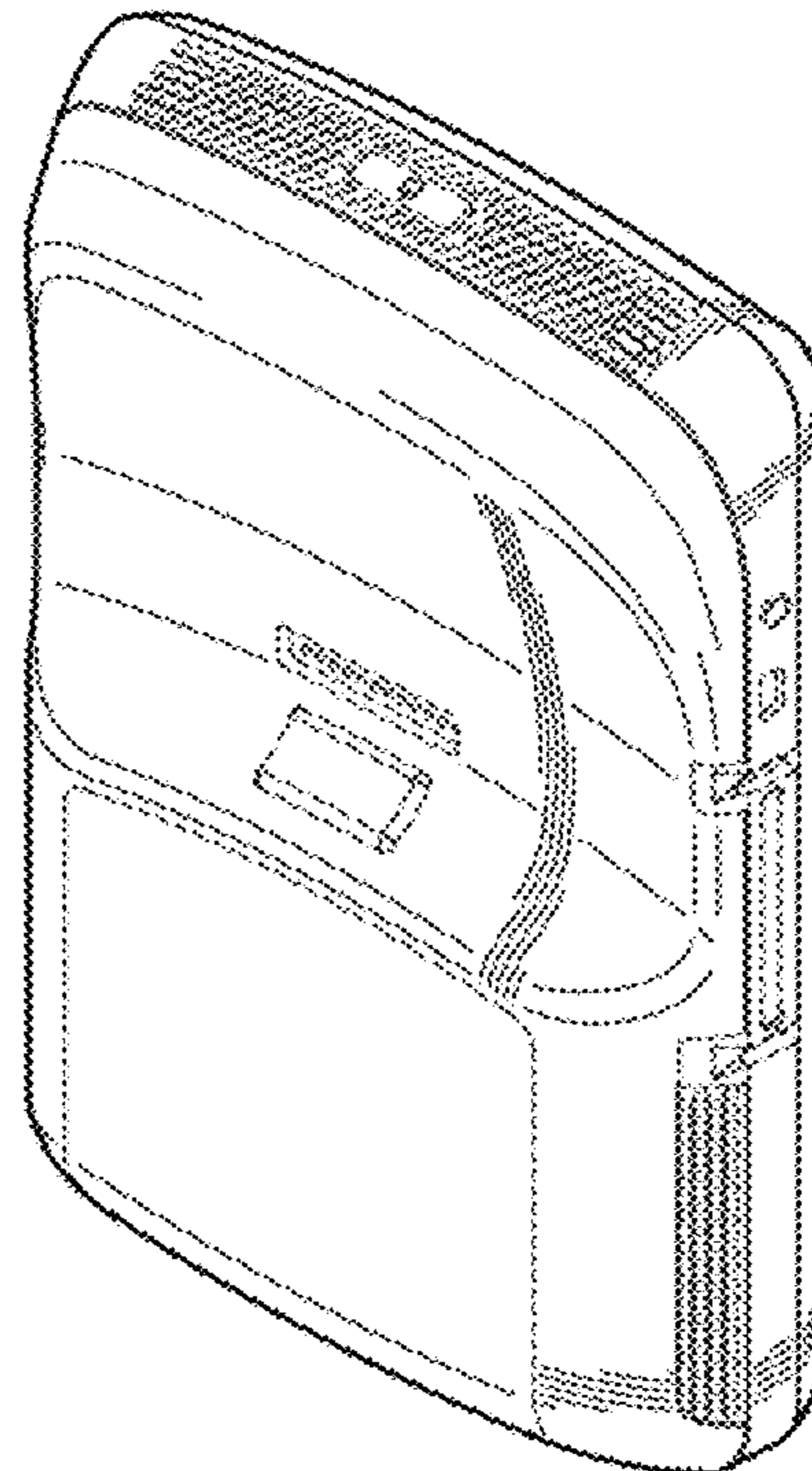
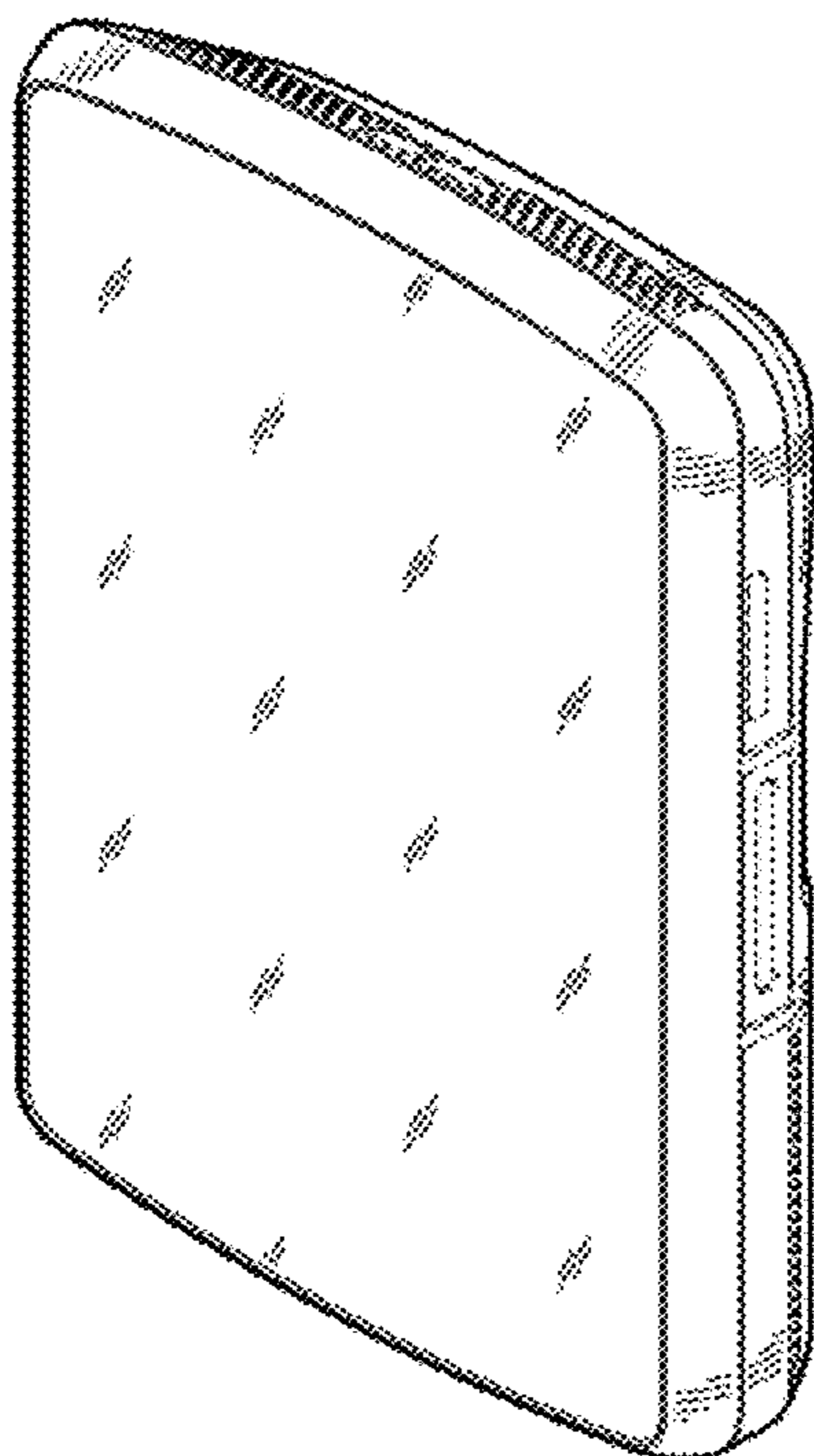
(57) **CLAIM**

The ornamental design for an electronic device, as shown and described.

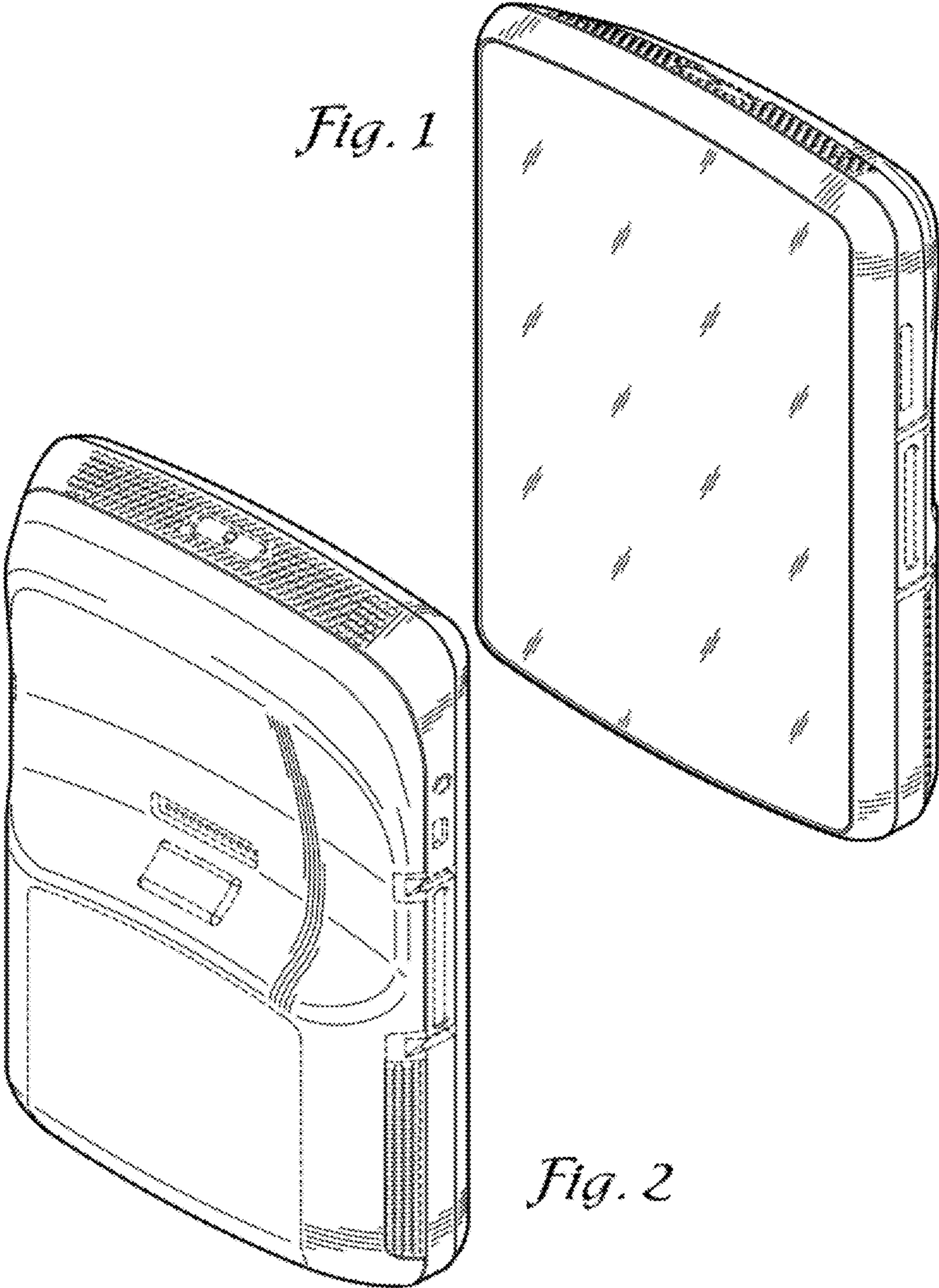
**DESCRIPTION**

FIG. 1 is a front perspective view of an electronic device according to embodiments of the present invention; FIG. 2 is a rear perspective view of the electronic device; FIG. 3 is a top view of the electronic device; FIG. 4 is a front view of the electronic device; FIG. 5 is a rear view of the electronic device; FIG. 6 is a bottom view of the electronic device; FIG. 7 is a left side view of the electronic device; and, FIG. 8 is a right side view of the electronic device. Portions of FIGS. 1 through 8 are shown in dashed lines for illustrative purposes only and form no part of the claimed design.

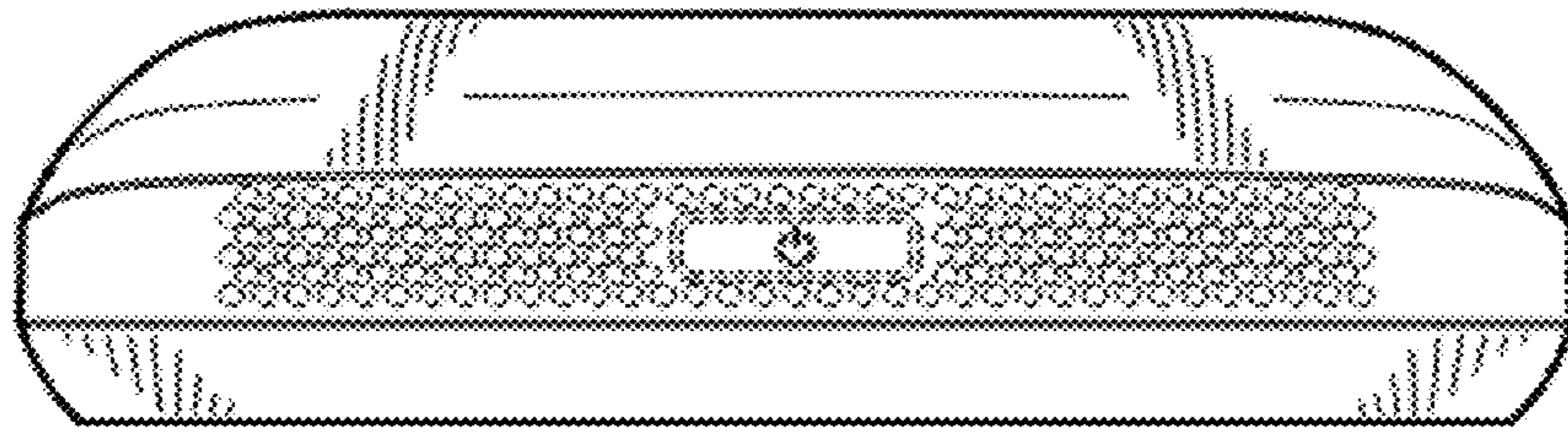
**1 Claim, 4 Drawing Sheets**



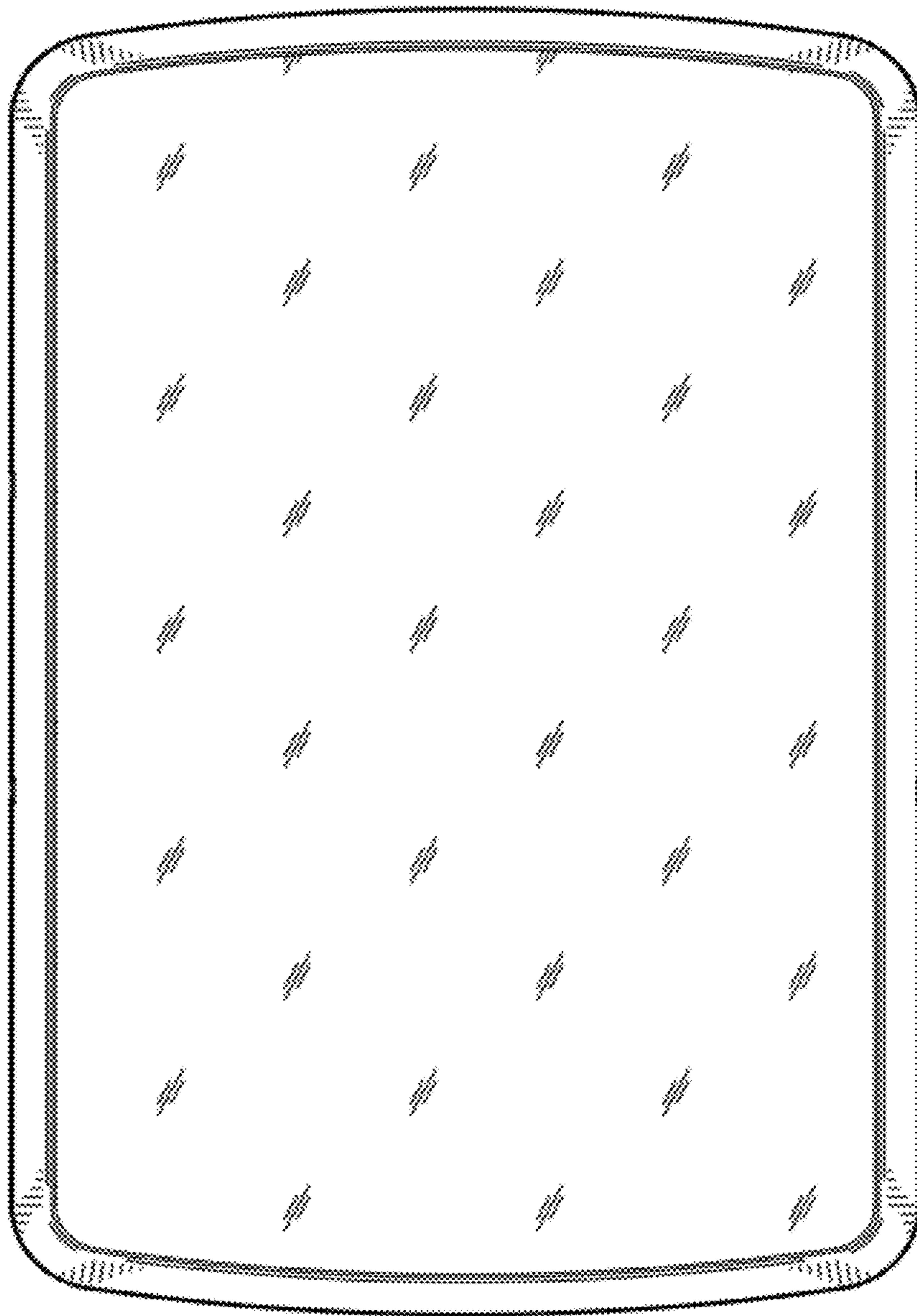
*Fig. 1*



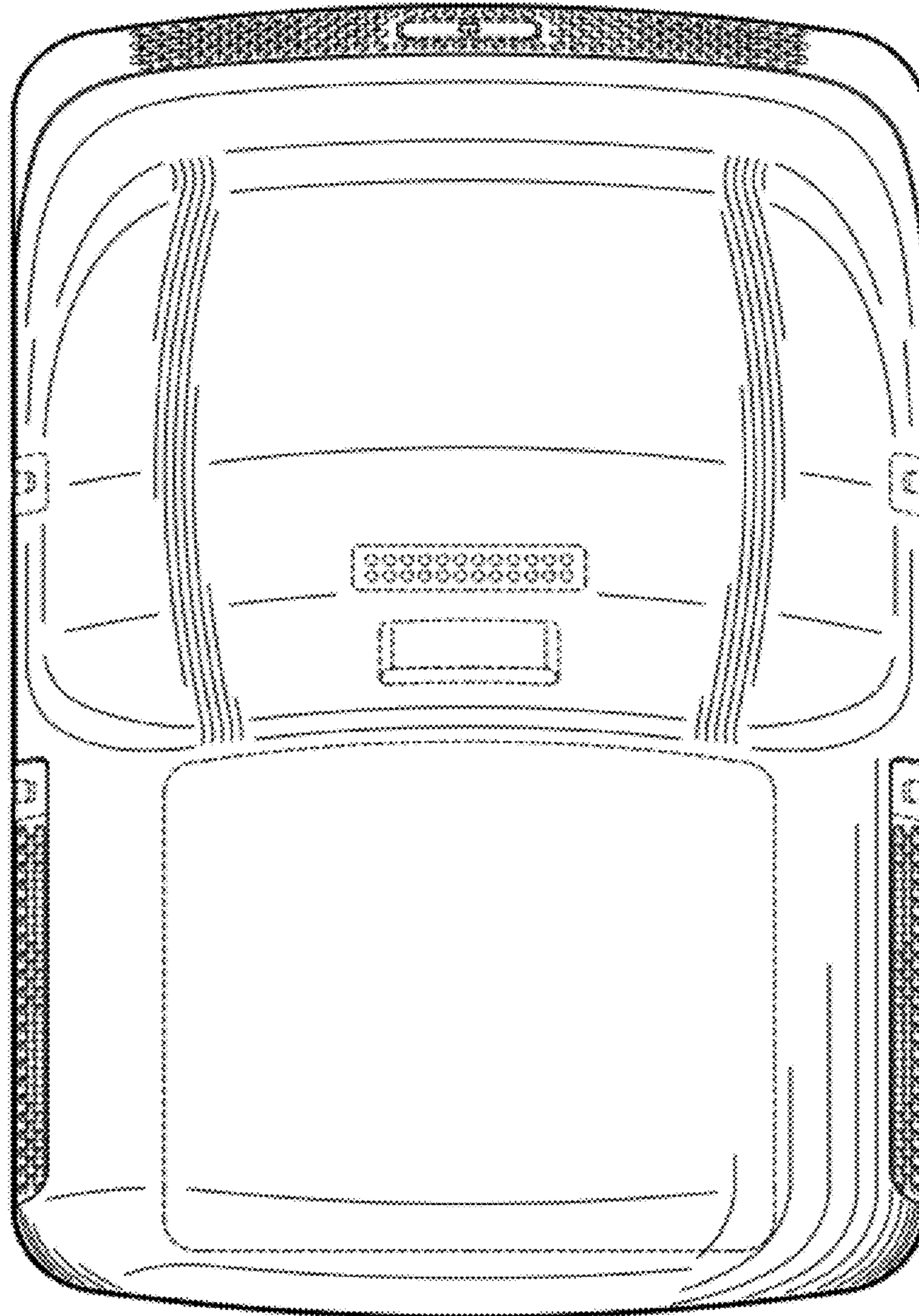
*Fig. 2*



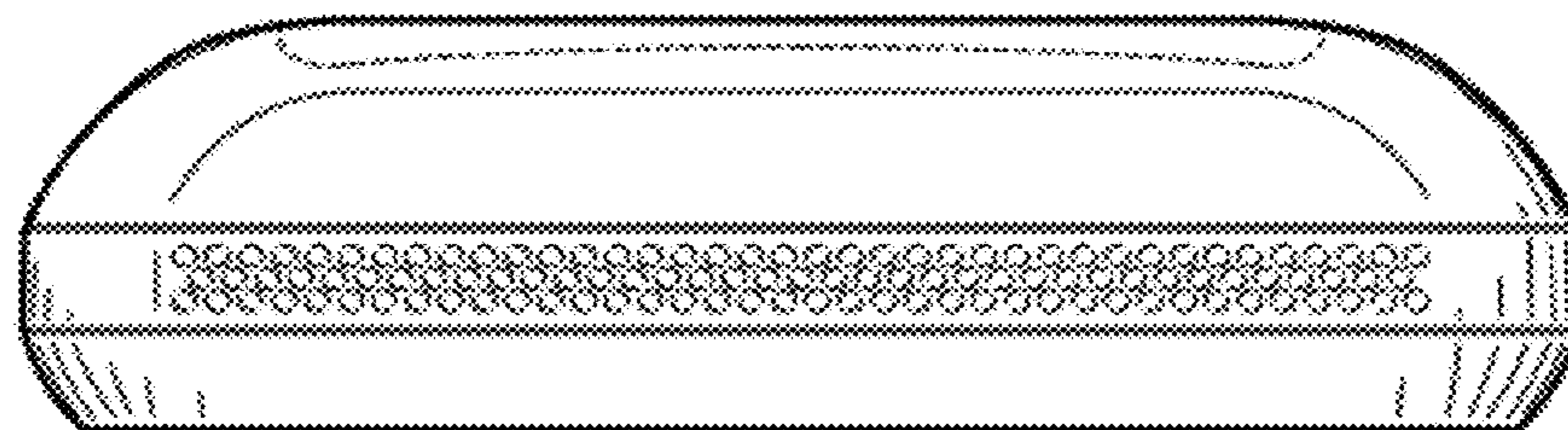
*Fig. 3*



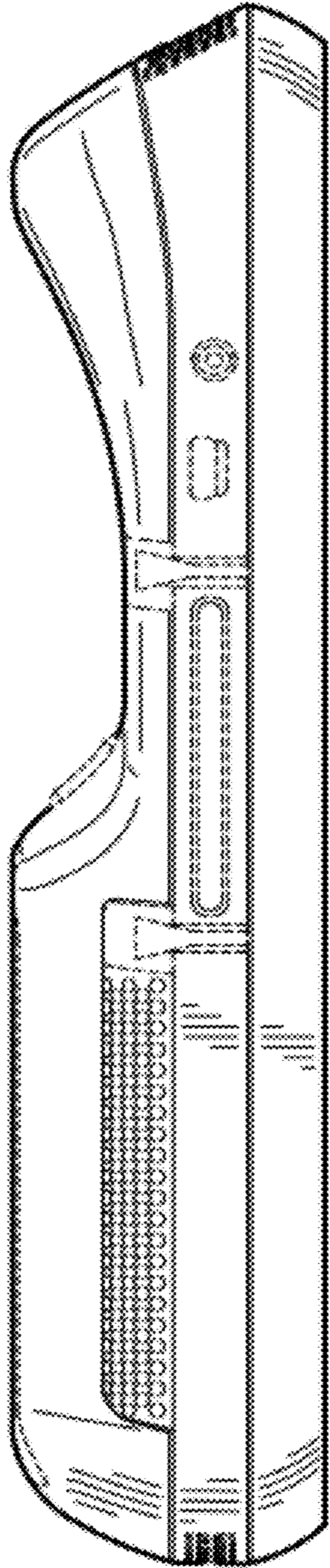
*Fig. 4*



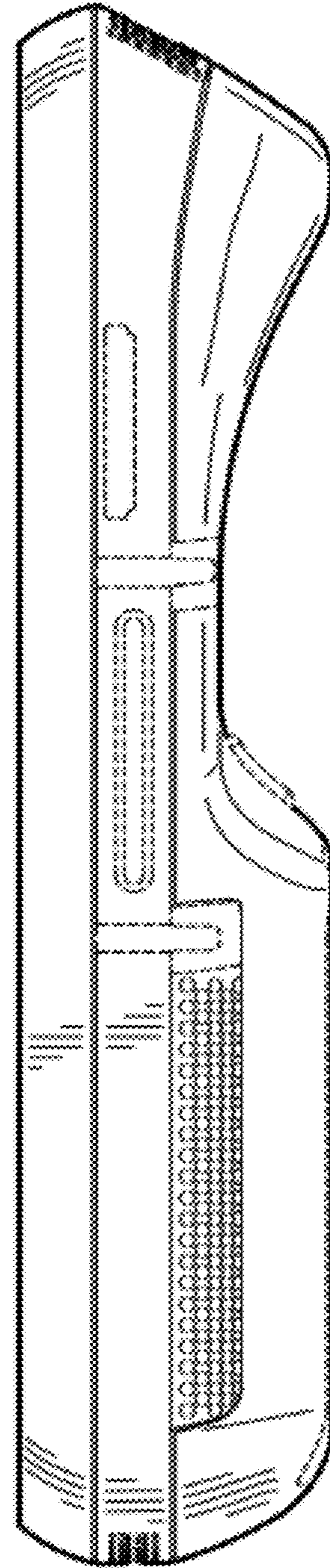
*Fig. 5*



*Fig. 6*



*Fig. 7*



*Fig. 8*