



US00D659564S

(12) **United States Design Patent**
Baxter

(10) **Patent No.:** **US D659,564 S**

(45) **Date of Patent:** **** May 15, 2012**

(54) **GLOBAL NAVIGATION SATELLITE SYSTEM (GNSS) RECEIVER DEVICE**

(75) **Inventor:** **John Baxter**, Christchurch (NZ)

(73) **Assignee:** **Trimble Navigation Limited**, Sunnyvale, CA (US)

(**) **Term:** **14 Years**

(21) **Appl. No.:** **29/388,019**

(22) **Filed:** **Mar. 23, 2011**

(51) **LOC (9) Cl.** **10-04**

(52) **U.S. Cl.** **D10/65; D10/70**

(58) **Field of Classification Search** D10/65, D10/70, 104.2, 106.6; D14/341, 344, 507, D14/138 R, 138 AA, 203.3, 203.4, 203.5, D14/203.7, 217, 137, 138 AB, 240-242, D14/356-358, 371, 140.1-140.6, 140, 155, D14/159, 149, 150, 170, 171, 125, 188, 336, D14/315, 337, 342, 343; 342/306, 351, 419, 342/457, 357.2-357.77; 343/702; 345/87, 345/104, 133, 156, 168, 173, 901-905; 348/180, 348/184, 315, 739; 364/444, 499; 701/206-209, 701/213, 214; 455/66.1, 404.2, 415, 456.1

See application file for complete search history.

(56) **References Cited**

U.S. PATENT DOCUMENTS

D626,549 S * 11/2010 Chiu D14/341
2011/0237274 A1 * 9/2011 Wong et al. 455/456.1
* cited by examiner

Primary Examiner — Antoine D Davis

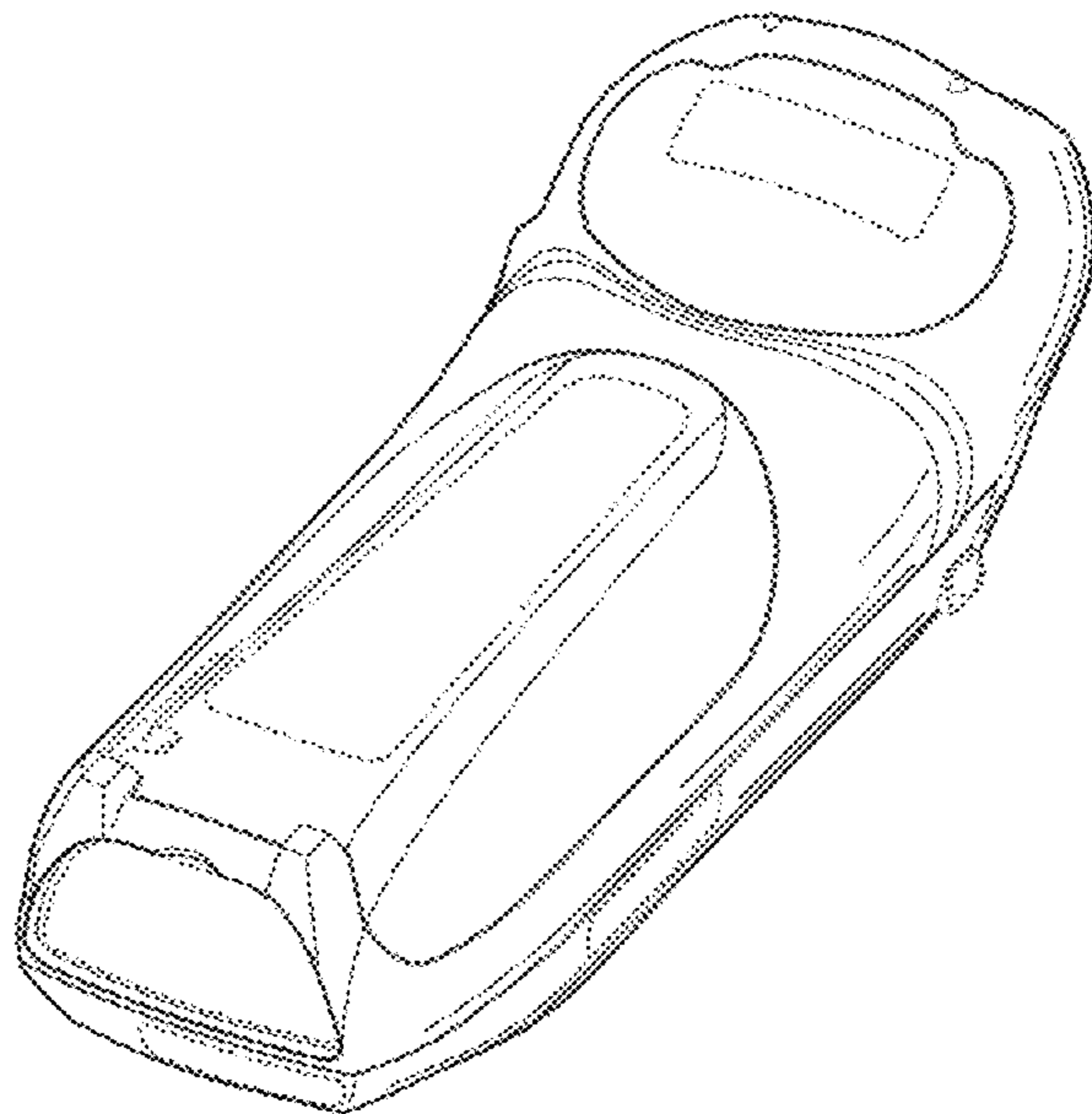
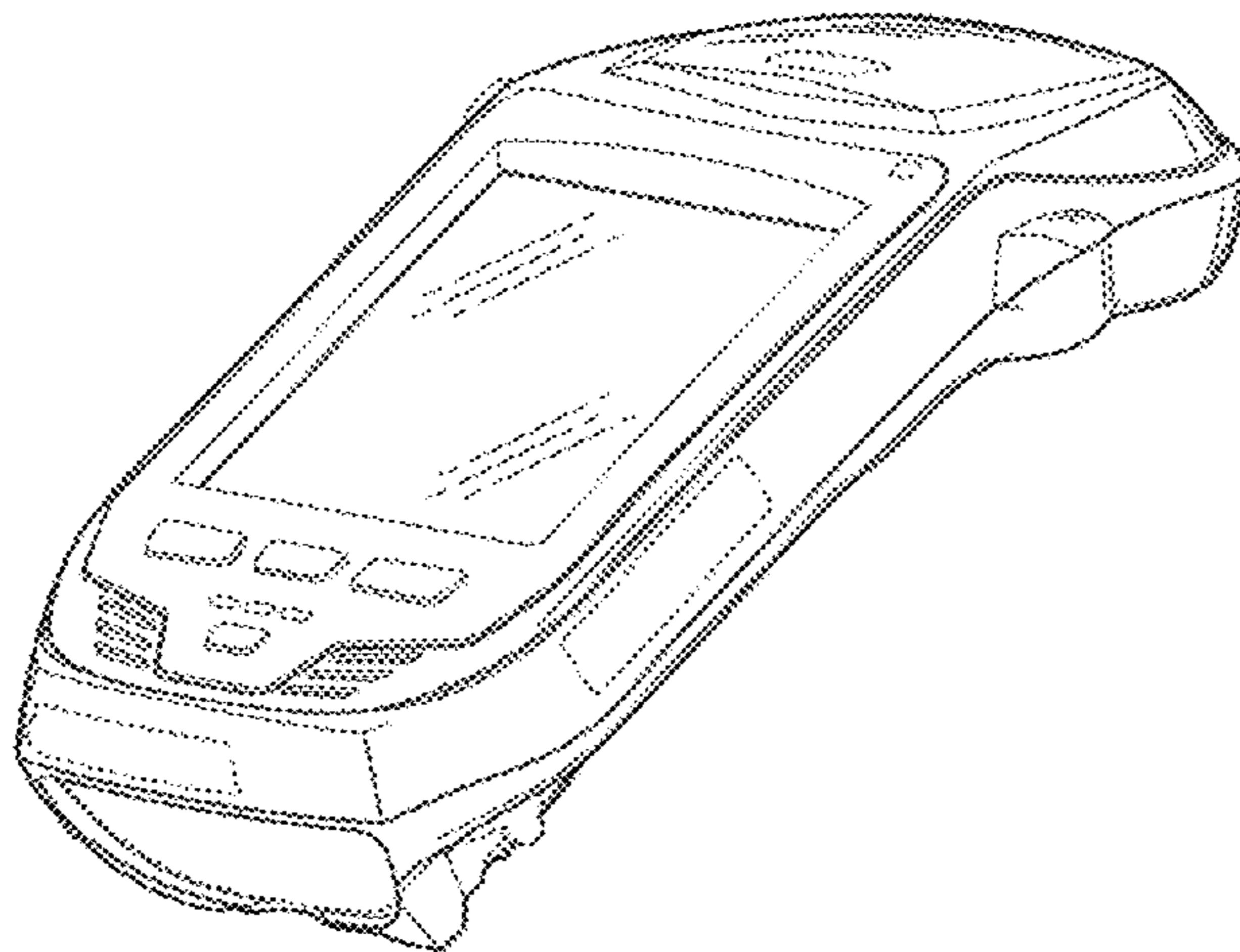
(57) **CLAIM**

I claim the ornamental design for a global navigation satellite system (GNSS) receiver device, as shown and described.

DESCRIPTION

FIG. 1 is a lower right front perspective view of a global navigation satellite system (GNSS) receiver device with unclaimed elements shown in dashed lines;
FIG. 2 is a lower left rear perspective view of a GNSS received device with unclaimed elements shown in dashed lines;
FIG. 3 is a front elevational view of a GNSS receiver device with unclaimed elements shown in dashed lines;
FIG. 4 is a left side elevational view of a GNSS receiver device with unclaimed elements shown in dashed lines;
FIG. 5 is a rear elevational view of a GNSS receiver device with unclaimed elements shown in dashed lines;
FIG. 6 is a right side elevational view of a GNSS receiver device with unclaimed elements shown in dashed lines;
FIG. 7 is a top plan view of a GNSS receiver device with unclaimed elements shown in dashed lines; and,
FIG. 8 is a bottom plan view of a GNSS receiver device with unclaimed elements shown in dashed lines.

1 Claim, 5 Drawing Sheets



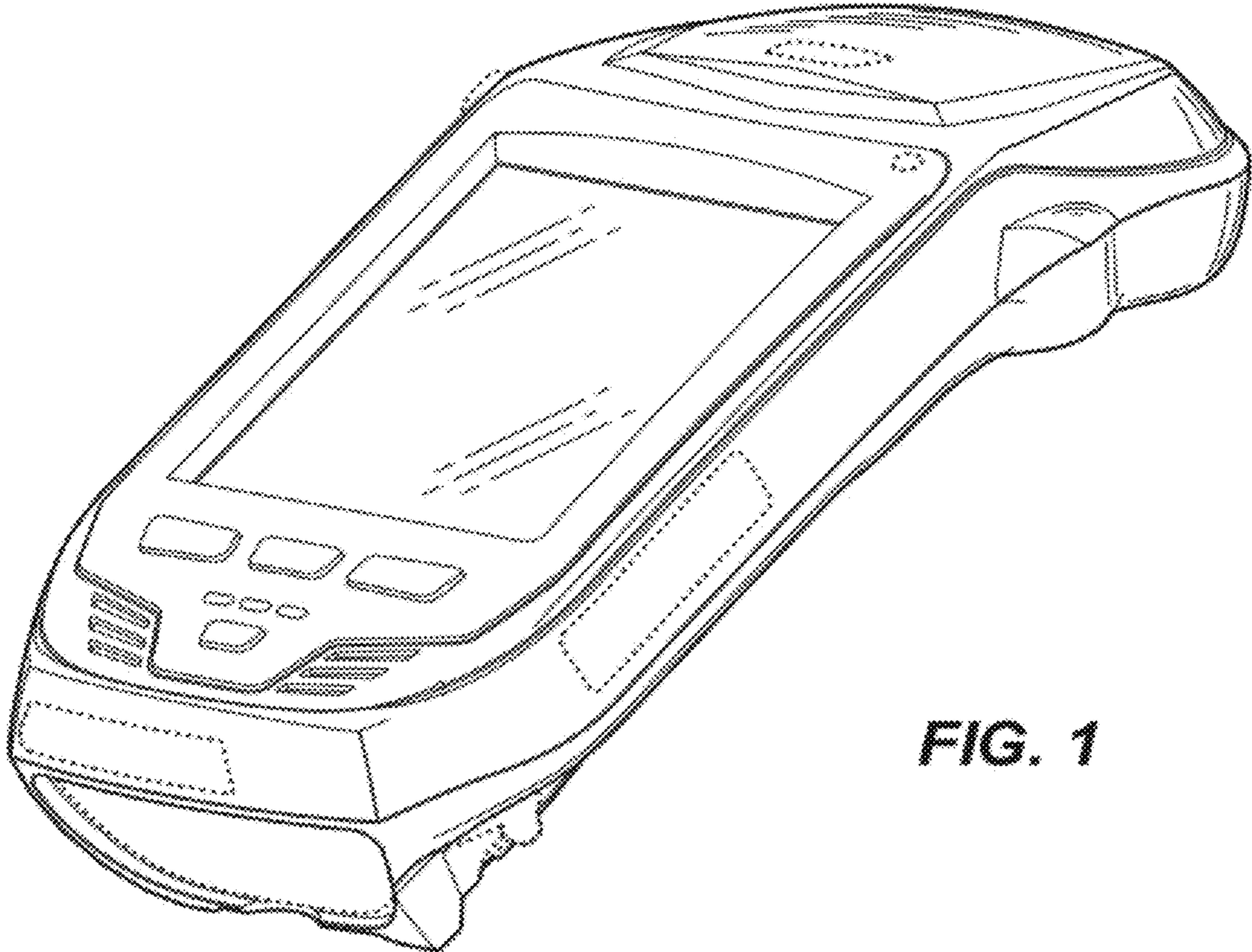


FIG. 1

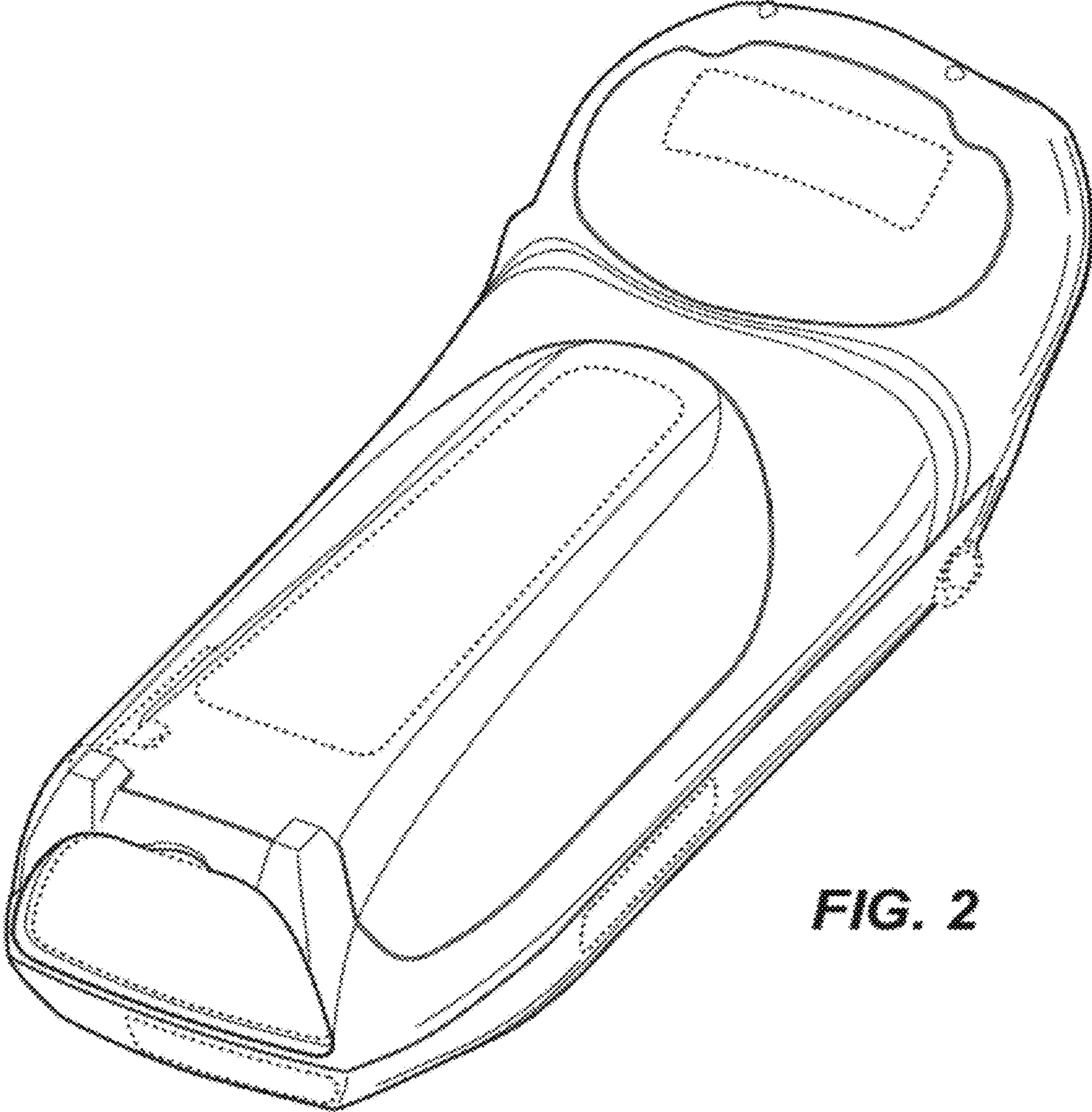


FIG. 2

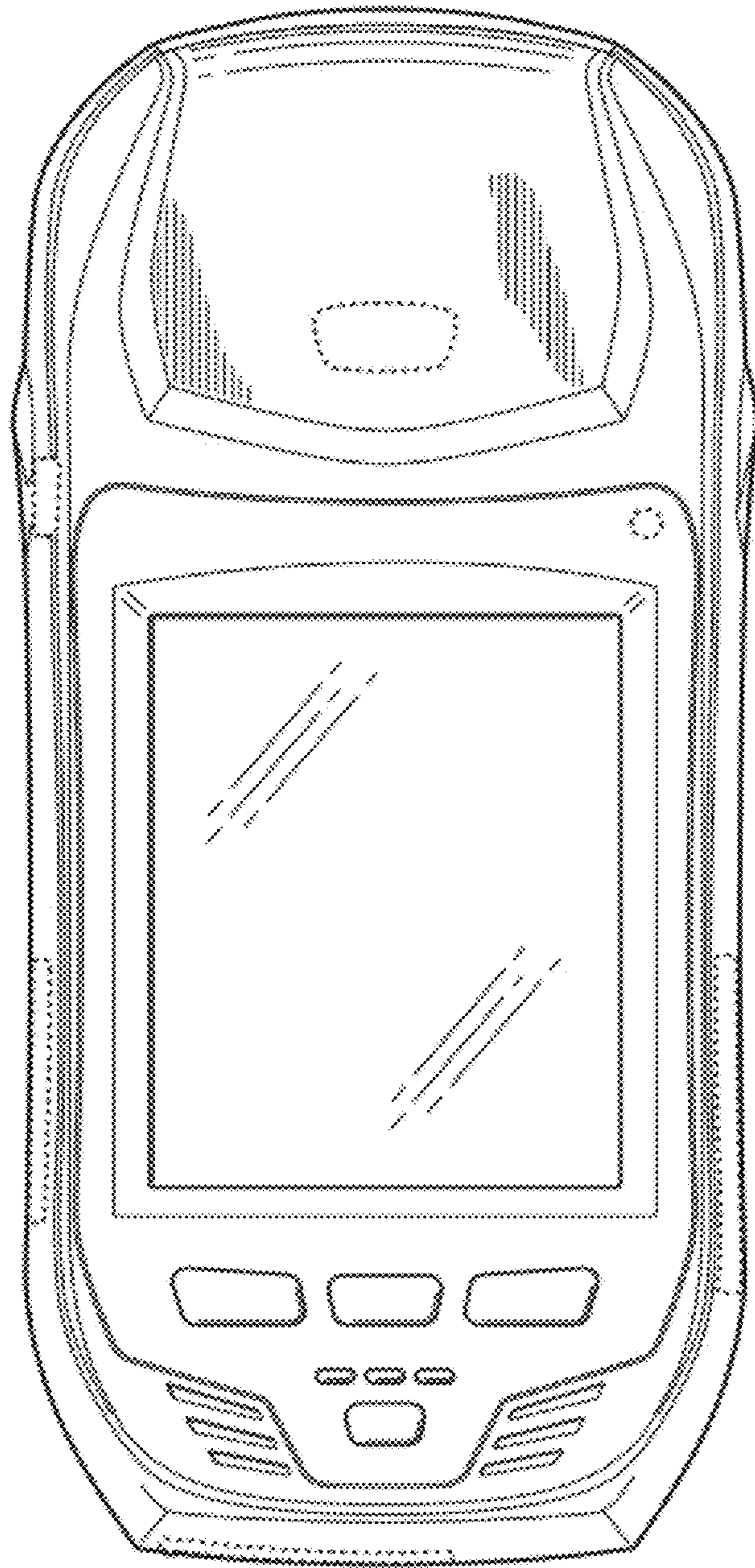


FIG. 3

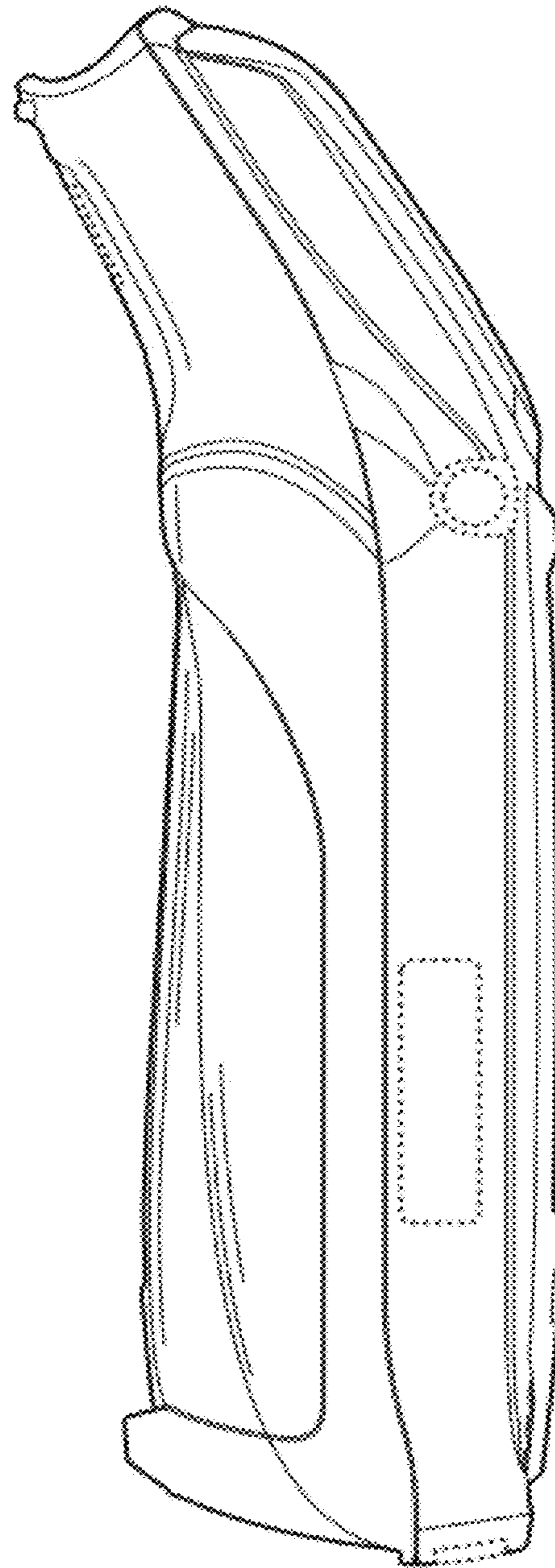


FIG. 4

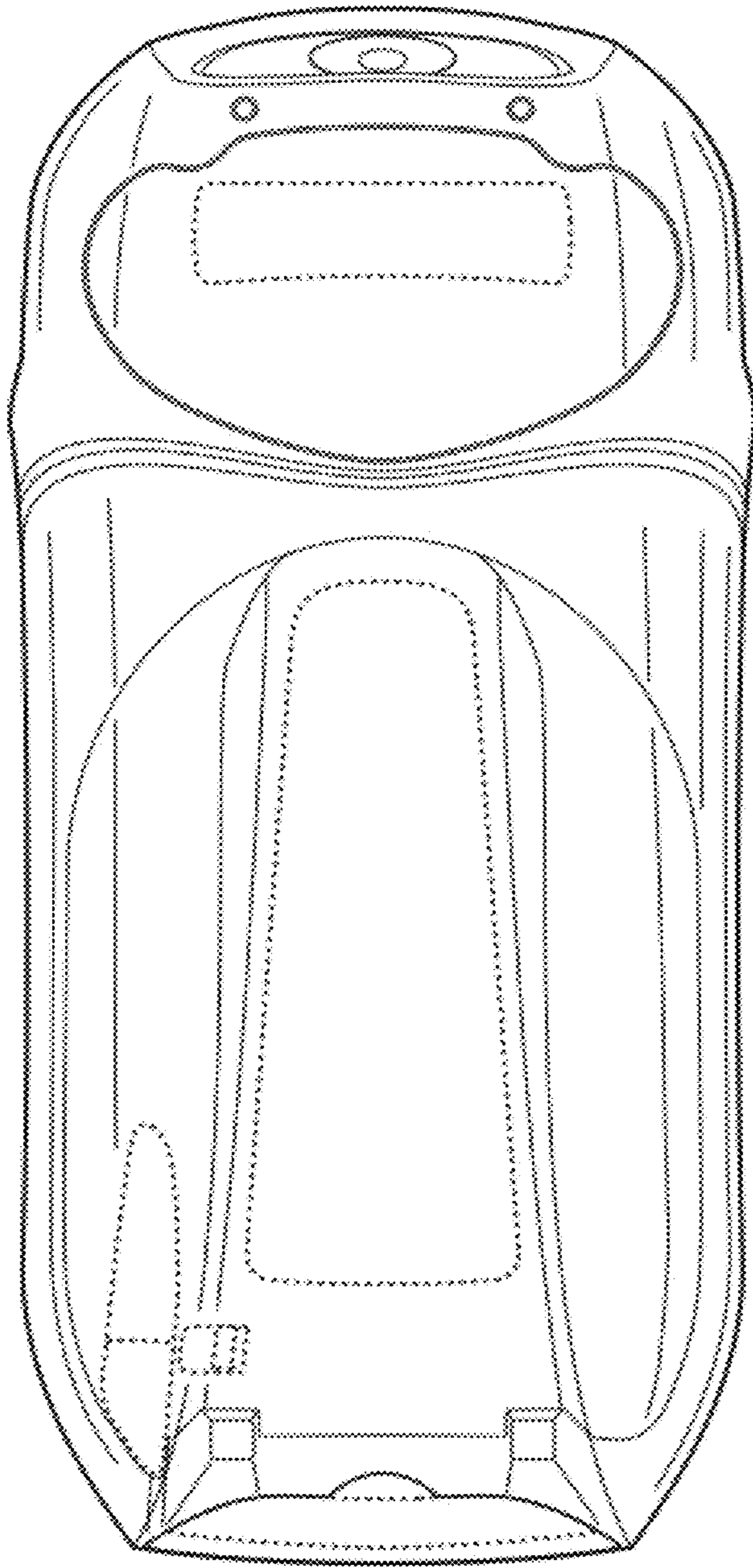


FIG. 5

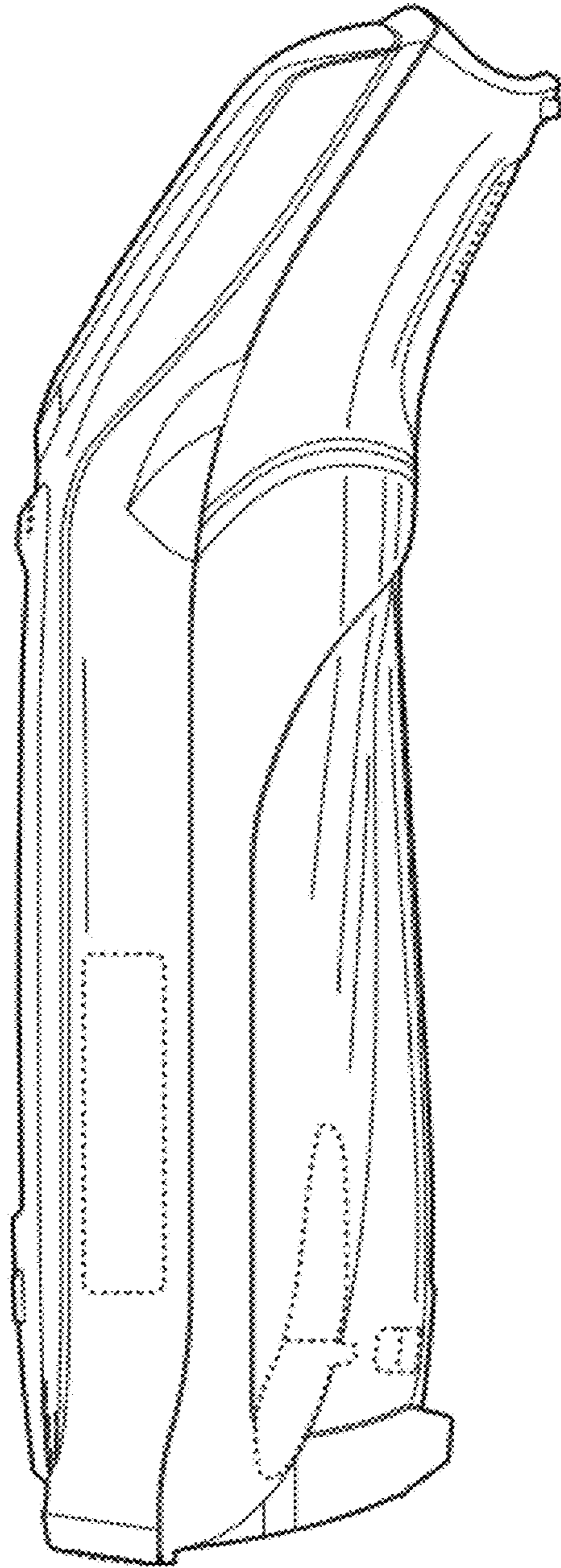


FIG. 6

FIG. 7

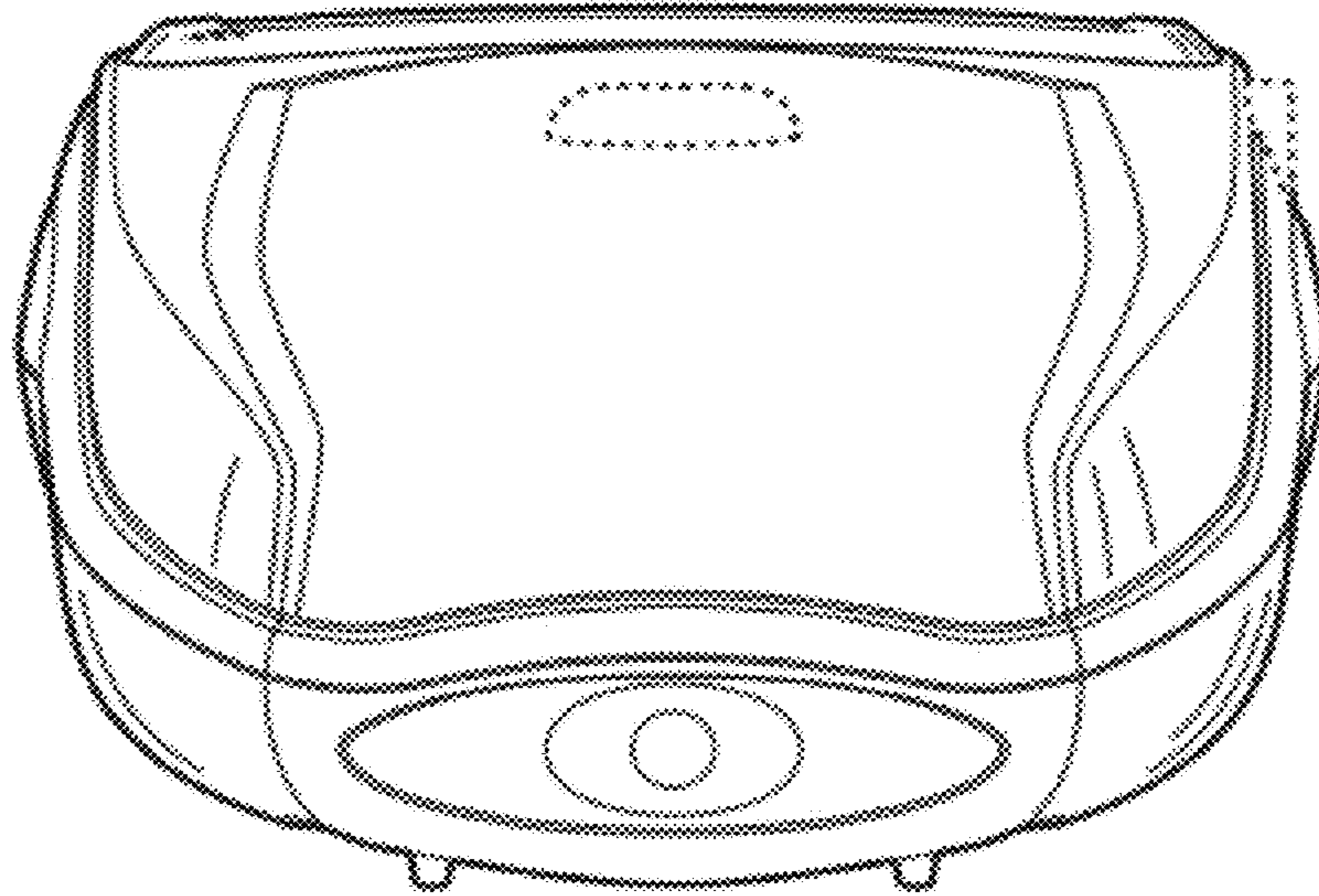


FIG. 8

