



US00D659562S

(12) **United States Design Patent**  
**Groener et al.**

(10) **Patent No.:** **US D659,562 S**

(45) **Date of Patent:** **\*\* May 15, 2012**

(54) **ELECTRONIC DEVICE**

(75) Inventors: **Gregory M. Groener**, Prairie Village, KS (US); **Mark B. Emge**, Lawrence, KS (US); **John J. Stutz**, Shawnee, KS (US); **Robert L. Lembke**, Overland Park, KS (US); **Raymond D. Swaney**, Prairie Village, KS (US)

(73) Assignee: **Garmin Switzerland GmbH** (CH)

(\*\*) Term: **14 Years**

(21) Appl. No.: **29/387,980**

(22) Filed: **Mar. 22, 2011**

(51) **LOC (9) Cl.** ..... **10-04**

(52) **U.S. Cl.** ..... **D10/65; D10/70**

(58) **Field of Classification Search** ..... D10/65, D10/70, 104.2, 106.6; D14/315, 336, 337, D14/341, 342, 343, 240-242, 356-358, 371, D14/140.1-140.6, 140, 155, 159, 137, 149, D14/150, 217, 170-171, 125, 188, 203.3, D14/203.4, 203.7; 342/386, 351, 419, 457, 342/357.2-357.78, 450, 458; 343/702; 345/87, 345/104, 133, 156, 168, 173, 901-905; 348/180, 348/184, 315, 739; 364/444, 499; 701/206-209, 701/213, 214

See application file for complete search history.

(56) **References Cited**

**U.S. PATENT DOCUMENTS**

D441,670 S	5/2001	Jackson et al.	.....	D10/65
D468,652 S	1/2003	Steiner et al.	.....	D10/65
D539,677 S *	4/2007	Riddiford	.....	D10/65
D540,205 S *	4/2007	Hsu	.....	D10/65
D543,875 S	6/2007	Skelton et al.	.....	D10/65

D552,494 S	10/2007	Hunt	.....	D10/65
D565,977 S	4/2008	Ross et al.	.....	D10/65
7,366,609 B2 *	4/2008	Lee	.....	701/213
D574,271 S *	8/2008	Stevens et al.	.....	D10/65
D580,803 S *	11/2008	Whittaker	.....	D10/65
2008/0057888 A1 *	3/2008	Shoykhet et al.	.....	455/161.1
2008/0218408 A1 *	9/2008	Davis et al.	.....	342/357.06

**OTHER PUBLICATIONS**

Garmin GPS 125 Sounder Marine Navigator Owner's Manual & Reference Guide, pp. 1-2, Jul. 1997.  
Lowrance LMS-520C 7 LMS-525C DF Fish-Finding Sonar & Mapping GPS Installation and Operation Instructions, pp. 1-2, 2006.  
Eagle FishEasy 350c, published 2009.  
Garmin Fishfinder 300, 400, published prior to 2010.

(Continued)

*Primary Examiner* — Antoine D Davis

(74) *Attorney, Agent, or Firm* — Samuel M. Korte

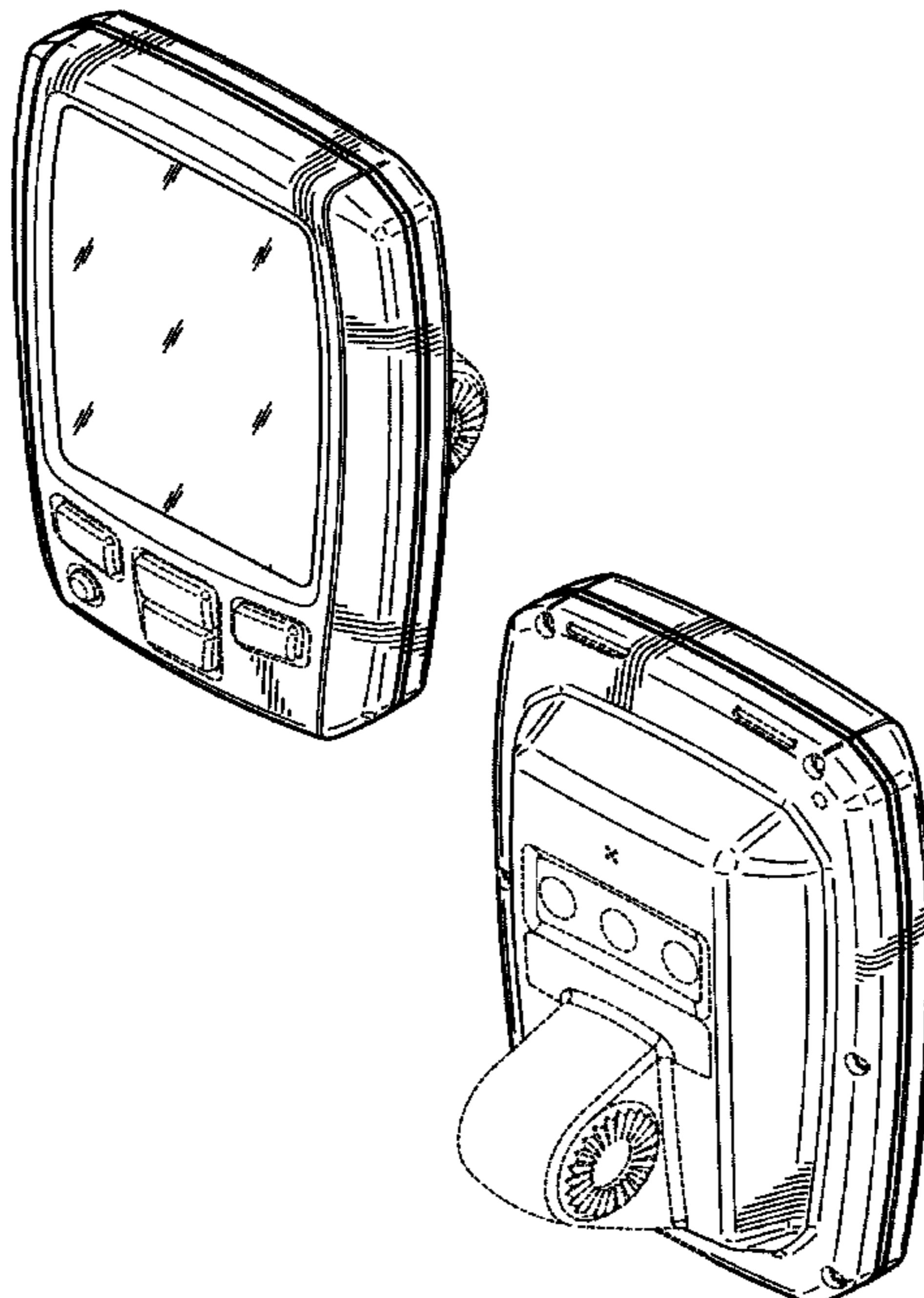
(57) **CLAIM**

The ornamental design for an electronic device, as shown and described.

**DESCRIPTION**

FIG. 1 is a front perspective view of an electronic device according to embodiments of the present invention; FIG. 2 is a rear perspective view of the electronic device; FIG. 3 is a top view of the electronic device; FIG. 4 is a front view of the electronic device; FIG. 5 is a rear view of the electronic device; FIG. 6 is a bottom view of the electronic device; FIG. 7 is a left side view of the electronic device; and, FIG. 8 is a right side view of the electronic device. Portions of FIGS. 1 through 8 are shown in dashed lines for illustrative purposes only and form no part of the claimed design.

**1 Claim, 4 Drawing Sheets**

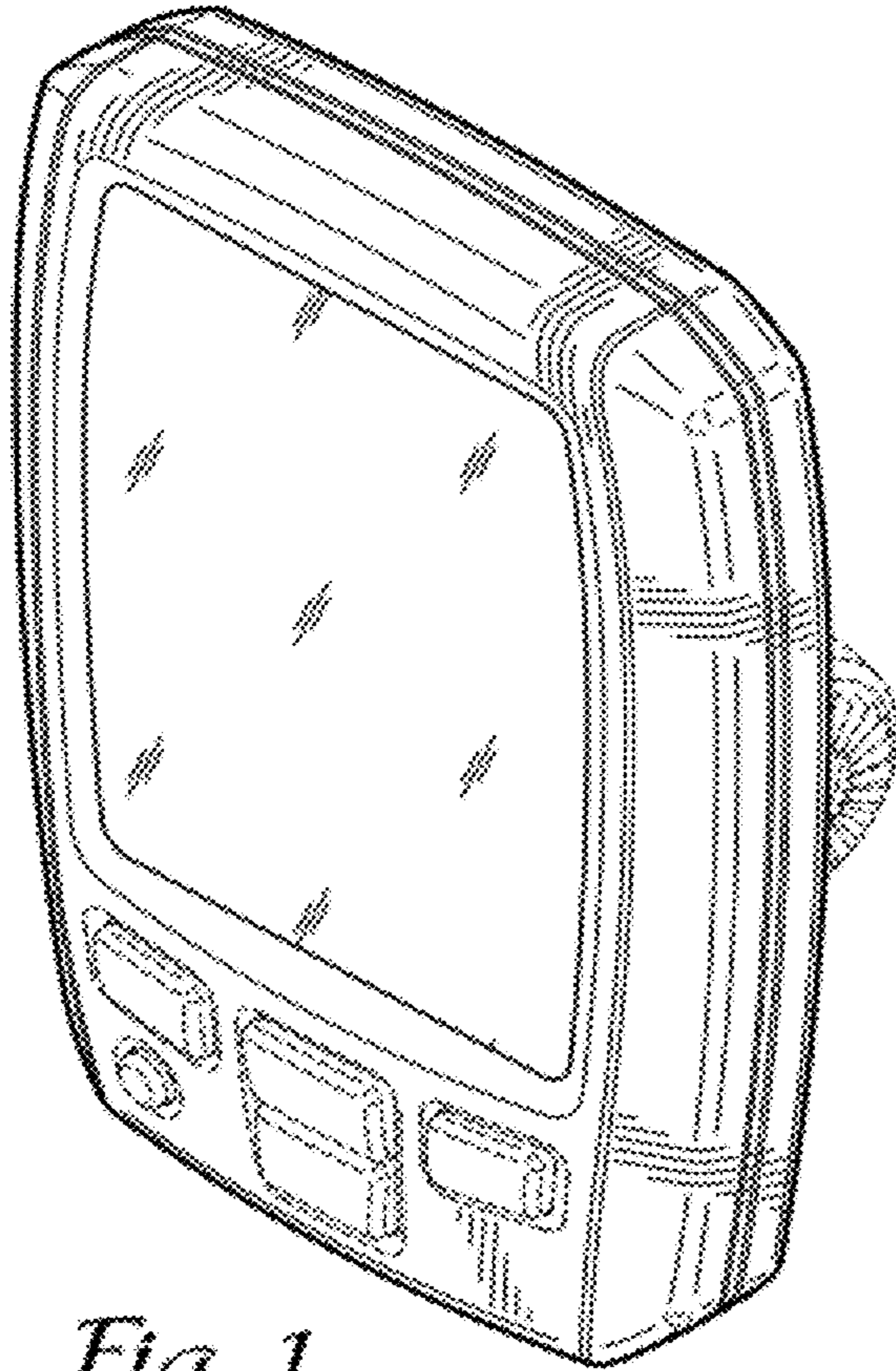


OTHER PUBLICATIONS

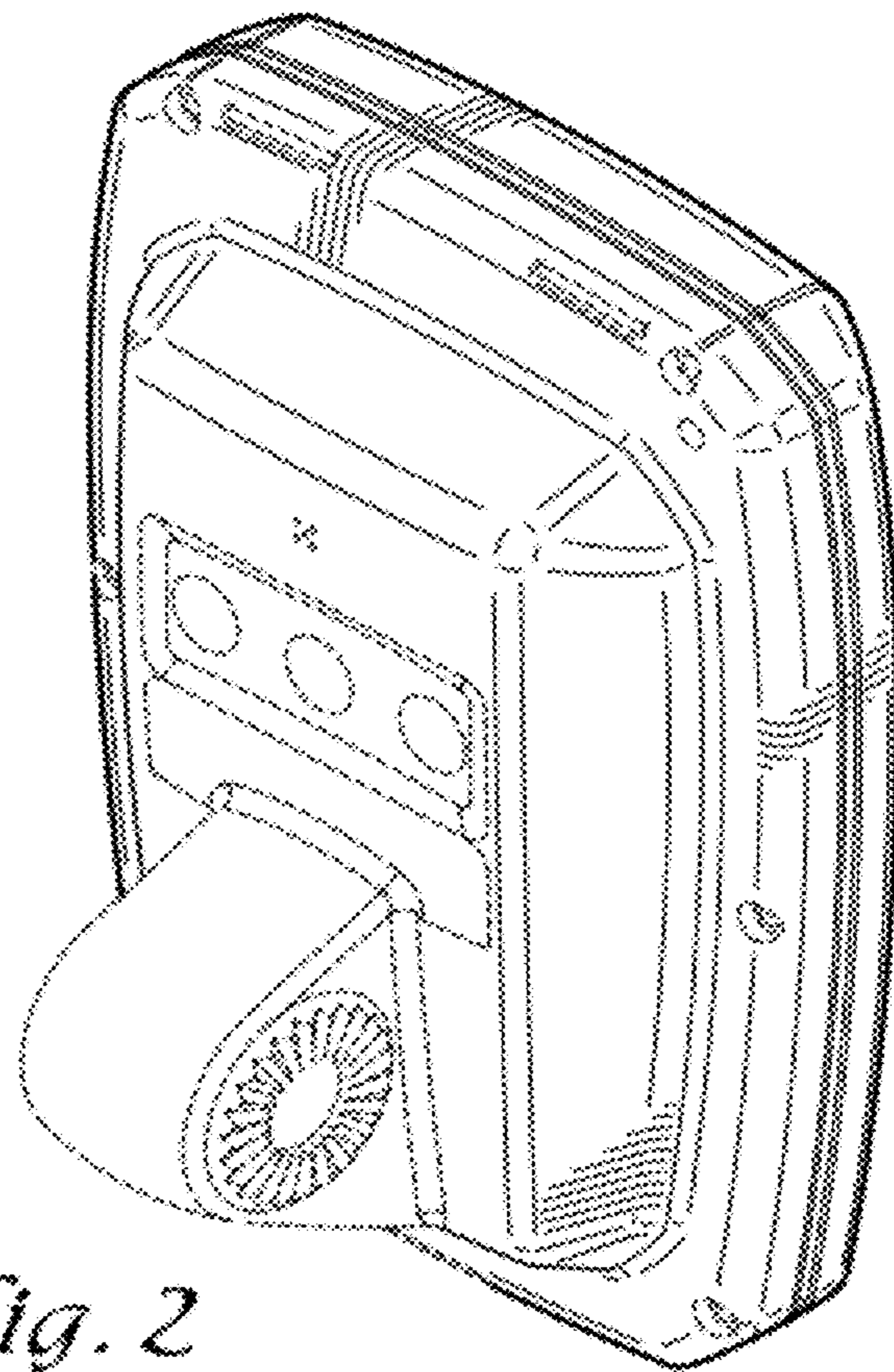
Garmin Fishfinder 90, 140, 160, published prior to 2010.  
Garmin GPSMAP 4000, 5000, published prior to 2010.  
Humminbird 585c, published prior to Mar. 22, 2011.

Humminbird PiranhaMax 190c, published prior to Mar. 22, 2011.  
LG XF1 HDD, published prior to Mar. 22, 2011.  
Lowrance Elite 5x, published prior to Mar. 22, 2011.

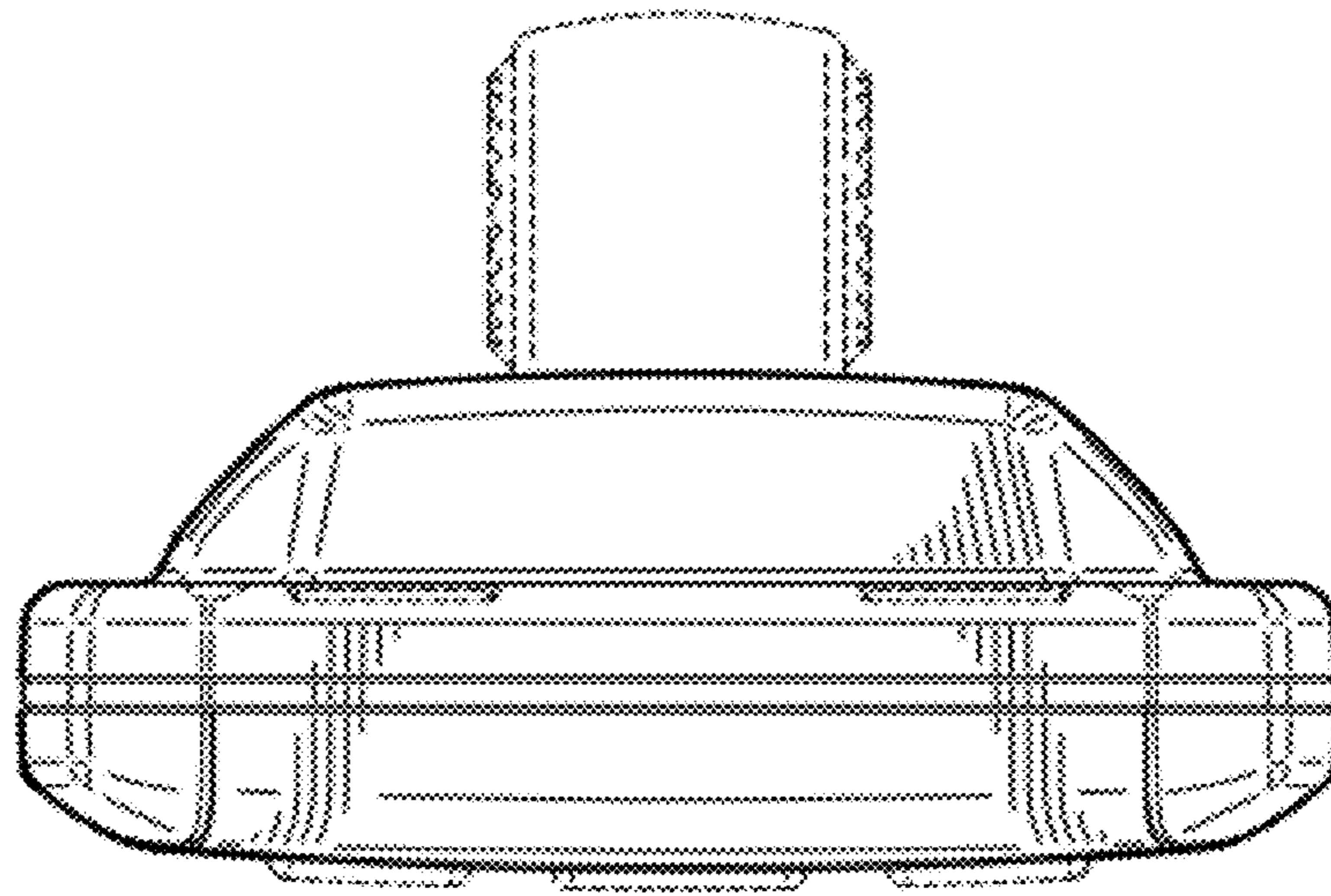
\* cited by examiner



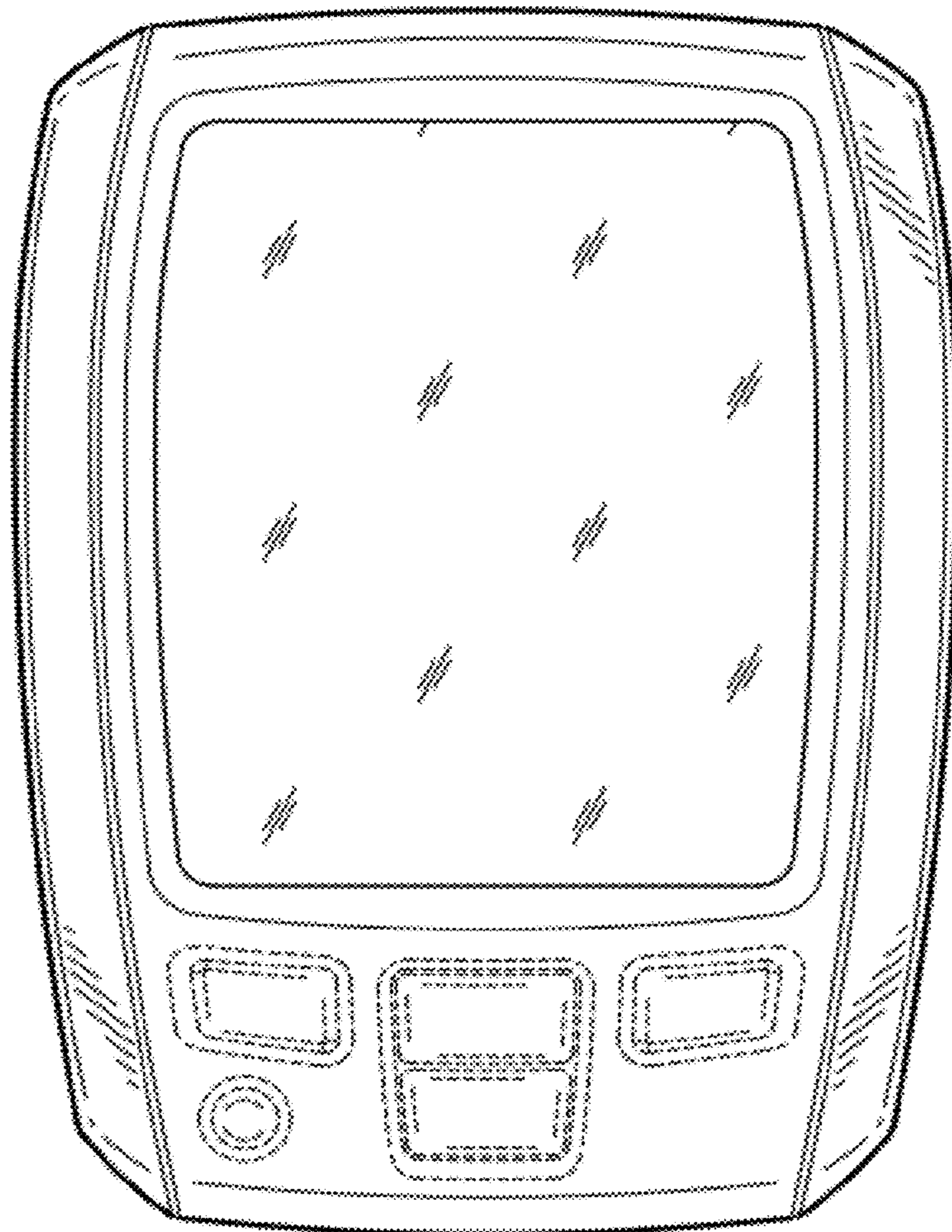
*Fig. 1*



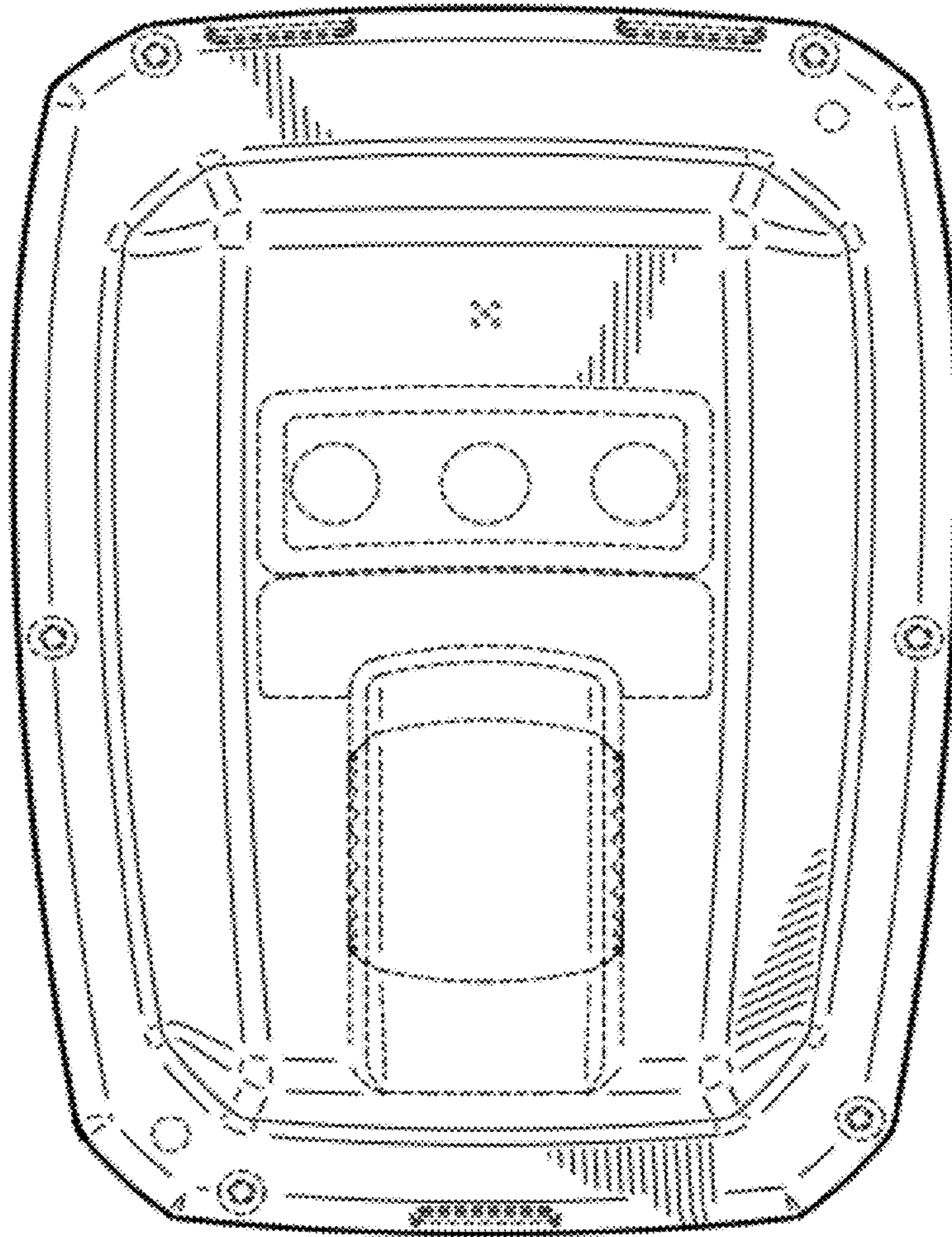
*Fig. 2*



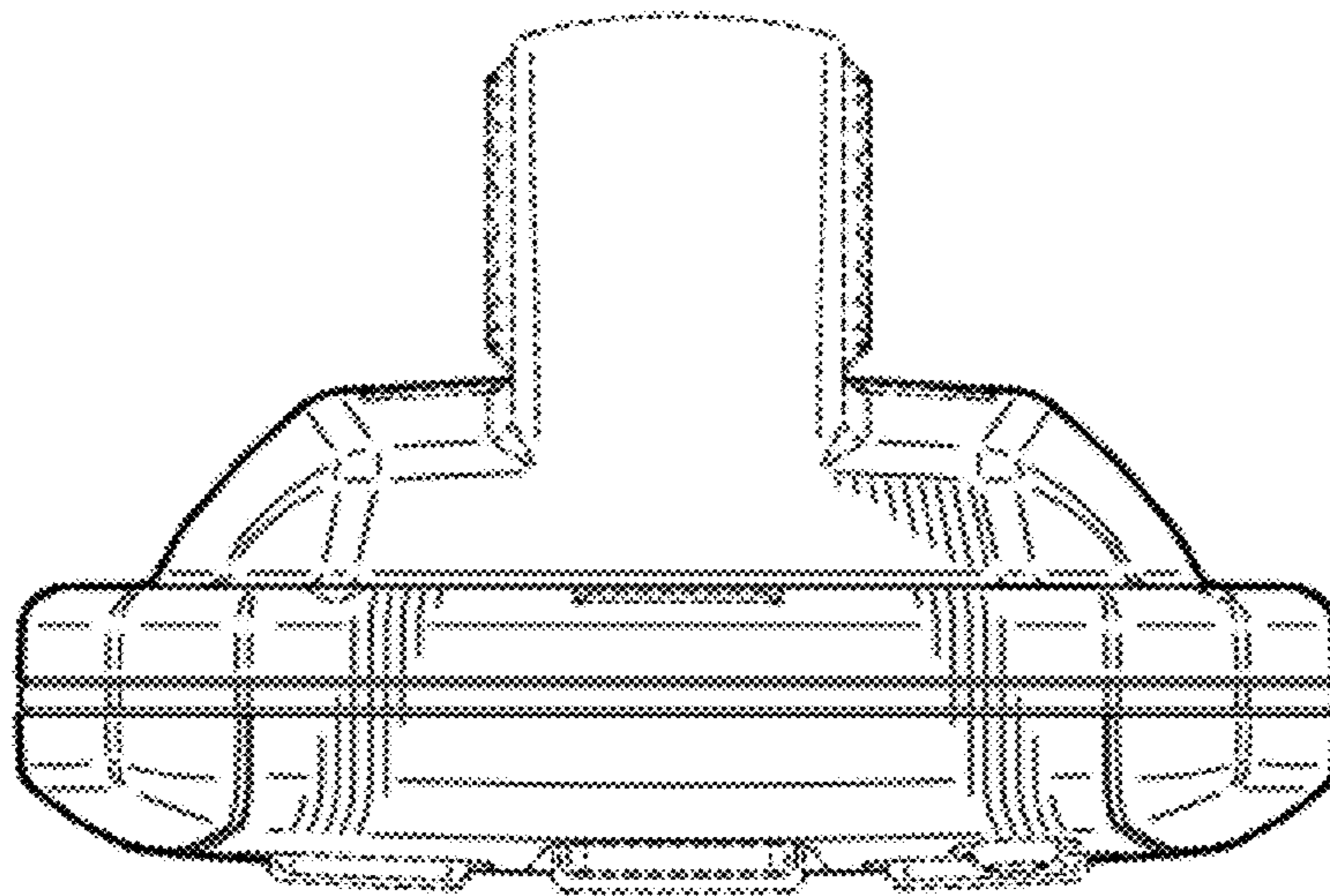
*Fig. 3*



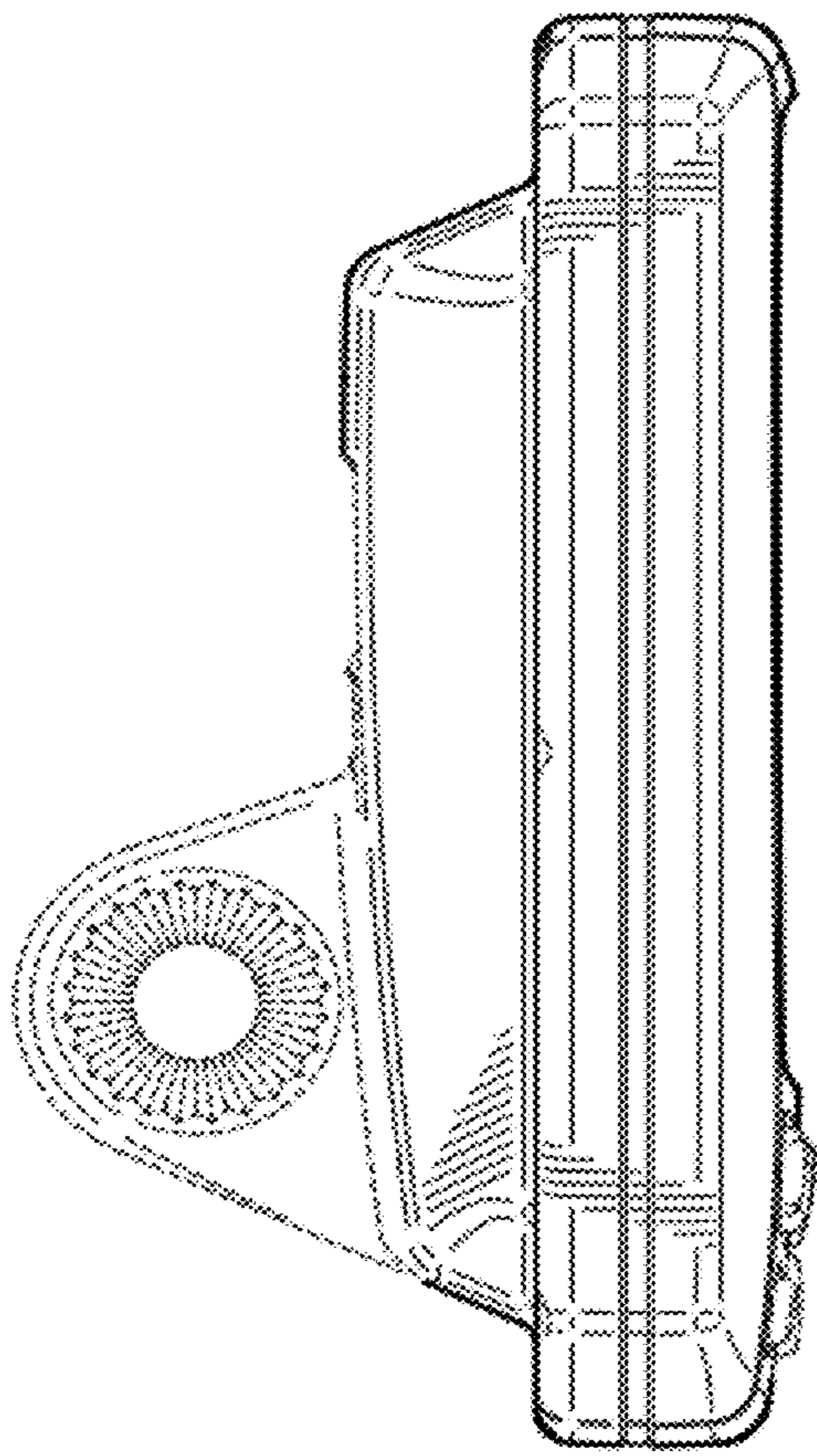
*Fig. 4*



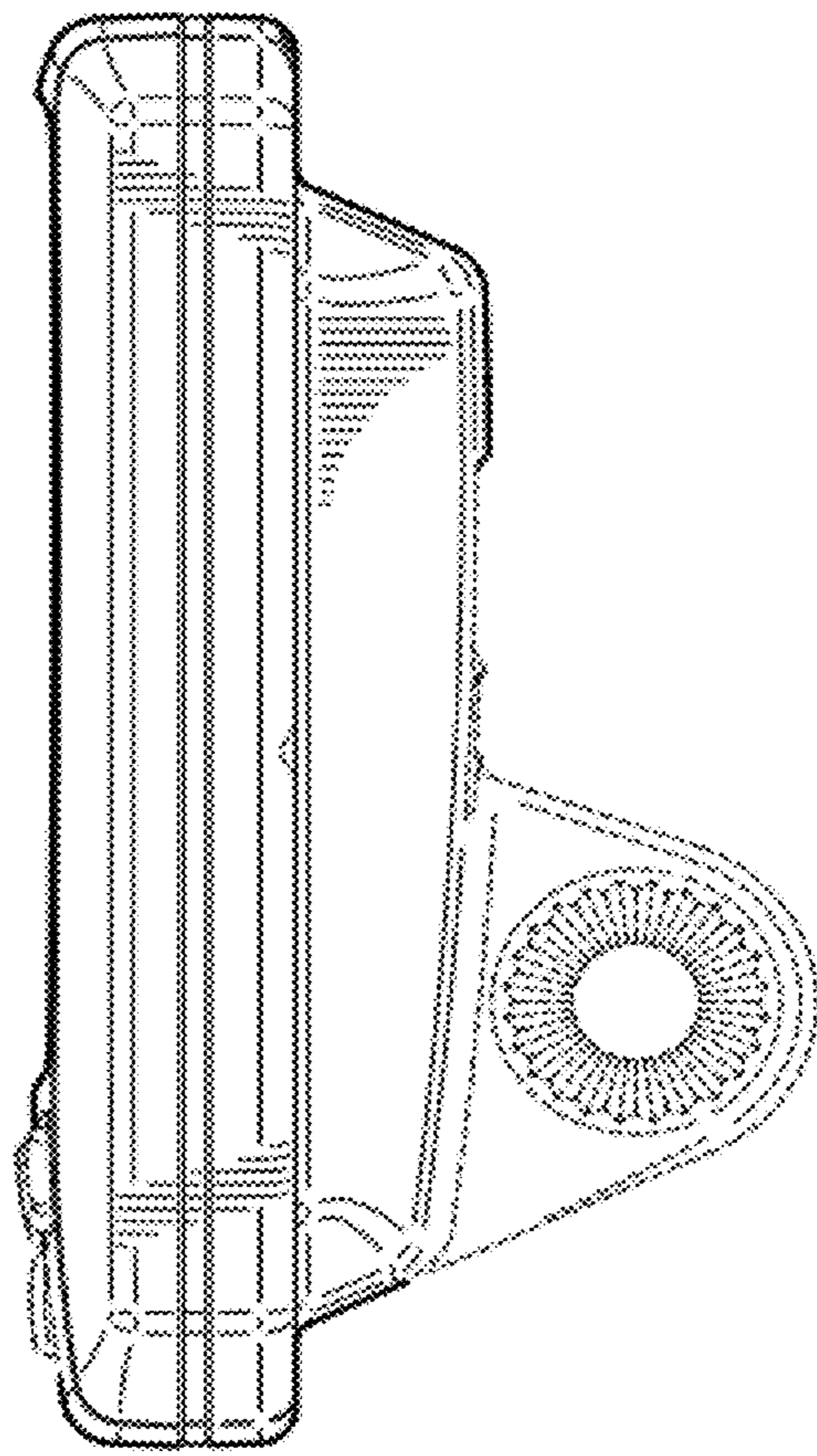
*Fig. 5*



*Fig. 6*



*Fig. 7*



*Fig. 8*