

US00D659557S

(12) **United States Design Patent**
Jones et al.

(10) **Patent No.:** **US D659,557 S**

(45) **Date of Patent:** **** May 15, 2012**

(54) **PARKING METER MECHANISM**

(75) Inventors: **Gavin Jones**, Carlsbad, CA (US); **Balu Subramanya**, Darnestown, MD (US); **Ryan Vincent**, Solana Beach, CA (US)

(73) Assignee: **Duncan Solutions, Inc.**, Milwaukee, WI (US)

(**) Term: **14 Years**

(21) Appl. No.: **29/391,569**

(22) Filed: **May 10, 2011**

(51) **LOC (9) Cl.** **10-03**

(52) **U.S. Cl.** **D10/42**

(58) **Field of Classification Search** D10/42;
368/90, 92; 194/900, 902, 217, 205, 211,
194/204, 210

See application file for complete search history.

(56) **References Cited**

U.S. PATENT DOCUMENTS

D100,875 S *	8/1936	Michaels	D10/42
2,483,805 A	10/1949	Broussard et al.		
2,495,784 A	1/1950	Starts		
2,550,433 A	4/1951	Tichenor		
2,594,388 A	4/1952	Broussard		
D166,753 S *	5/1952	Jones	D10/42
2,596,122 A	5/1952	Broussard		
2,596,123 A	5/1952	Broussard		
2,596,124 A	5/1952	Broussard		
2,613,792 A	10/1952	Broussard et al.		
2,613,871 A	10/1952	Broussard et al.		
2,618,371 A	11/1952	Broussard		
2,633,960 A	4/1953	Broussard		
D181,359 S *	11/1957	Jones	D10/42
D200,216 S *	2/1965	Broussard	D10/42
3,199,321 A	8/1965	Sollenberger		
3,204,438 A	9/1965	Sollenberger		
3,262,540 A	7/1966	Sollenberger et al.		
3,272,299 A	9/1966	Sollenberger		
3,438,031 A	4/1969	Fathauer		

3,486,324 A *	12/1969	Andersson	368/90
3,519,113 A	7/1970	Arzig et al.		
3,565,283 A	2/1971	Sciacero et al.		
3,999,372 A *	12/1976	Welch et al.	368/6
4,248,336 A *	2/1981	Fiedler	194/350
4,880,406 A	11/1989	Van Horn et al.		
5,060,777 A	10/1991	Van Horn et al.		

(Continued)

OTHER PUBLICATIONS

Duncan Solutions, Eagle CK Single-Space Meter Mechanism Brochure, believed to be commercially available before May 10, 2010, 2 pages.

(Continued)

Primary Examiner — Lucy Lieberman

(74) *Attorney, Agent, or Firm* — Reinhart Boerner Van Deuren s.c.

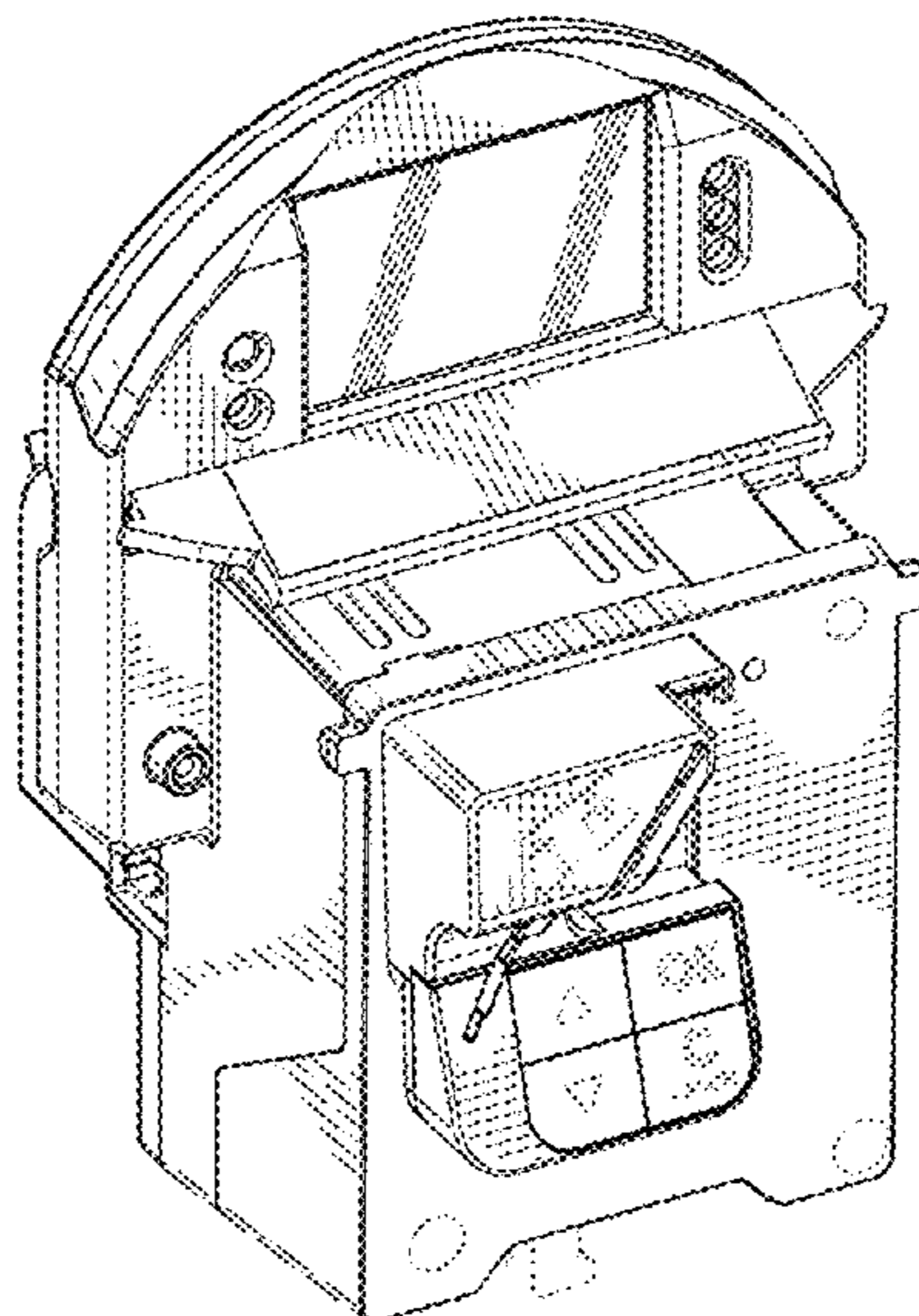
(57) **CLAIM**

We claim the ornamental design for a parking meter mechanism, as shown and described.

DESCRIPTION

FIG. 1 is a top, front, and right side perspective view of a parking meter mechanism showing my new design; FIG. 2 is a front view of FIG. 1; FIG. 3 is a right side view of FIG. 1; FIG. 4 is a rear view of FIG. 1; FIG. 5 is a left side view of FIG. 1; FIG. 6 is a top view of FIG. 1; FIG. 7 is a bottom view of FIG. 1; FIG. 8 is a second perspective view from above of FIG. 1; and, FIG. 9 is a perspective view from below of FIG. 1. The ornamental design which is claimed is shown in solid lines in the drawings. The broken lines in the drawings are for illustrative purposes only and form no part of the claimed design.

1 Claim, 9 Drawing Sheets



US D659,557 S

Page 2

U.S. PATENT DOCUMENTS

5,088,073	A *	2/1992	Speas	368/90	6,229,455	B1 *	5/2001	Yost et al.	340/943
5,109,972	A	5/1992	Van Horn et al.			6,230,868	B1	5/2001	Tuxen et al.		
5,119,916	A	6/1992	Carmen et al.			6,309,098	B1	10/2001	Wong		
5,155,614	A	10/1992	Carmen et al.			6,312,152	B2	11/2001	Dee et al.		
5,184,707	A	2/1993	Van Horn et al.			6,354,425	B1	3/2002	Tuxen et al.		
5,244,070	A	9/1993	Carmen et al.			D461,728	S	8/2002	Tuxen et al.		
5,273,151	A	12/1993	Carmen et al.			6,747,575	B2 *	6/2004	Chauvin et al.	340/932.2
5,382,780	A	1/1995	Carmen			6,874,340	B1	4/2005	Berman		
5,526,662	A	6/1996	Diekhoff et al.			D575,168	S	8/2008	King et al.		
5,617,942	A *	4/1997	Ward et al.	194/217	D587,141	S	2/2009	King et al.		
5,642,119	A *	6/1997	Jacobs	342/69	7,806,248	B2	10/2010	Hunter et al.		
5,710,743	A *	1/1998	Dee et al.	368/90	7,854,310	B2	12/2010	King et al.		
5,732,812	A *	3/1998	Grainger et al.	194/217	2009/0026842	A1	1/2009	Hunter et al.		
5,805,083	A	9/1998	Sutton et al.			2009/0159674	A1	6/2009	King et al.		
5,806,651	A	9/1998	Carmen et al.			2009/0183966	A1	7/2009	King et al.		
5,841,369	A	11/1998	Sutton et al.			2009/0192950	A1	7/2009	King et al.		
5,852,411	A *	12/1998	Jacobs et al.	340/932.2	2011/0057815	A1	3/2011	King et al.		
5,903,520	A *	5/1999	Dee et al.	368/90	2011/0060653	A1	3/2011	King et al.		
5,966,345	A *	10/1999	Dee et al.	368/90						
6,098,361	A *	8/2000	Roten et al.	52/298						
6,109,418	A *	8/2000	Yost	194/350						
6,111,522	A	8/2000	Hiltz et al.								
D431,788	S	10/2000	Tuxen et al.								
RE37,193	E *	5/2001	Ward et al.	194/217						

OTHER PUBLICATIONS

Duncan Solutions, Eagle 2100 Single-Space Meter Mechanism Brochure, believed to be commercially available before May 10, 2010, 2 pages.

* cited by examiner

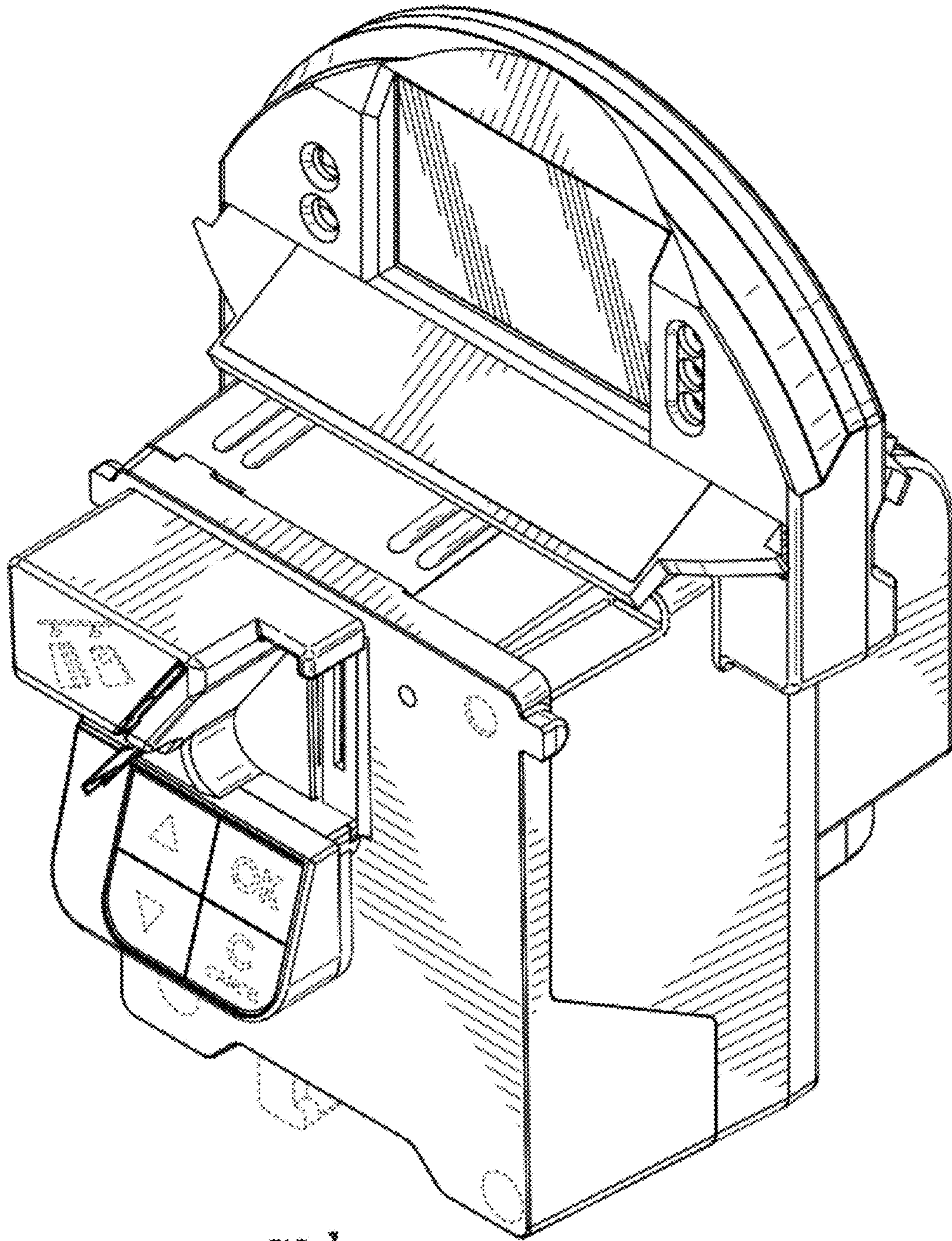


FIG. 1

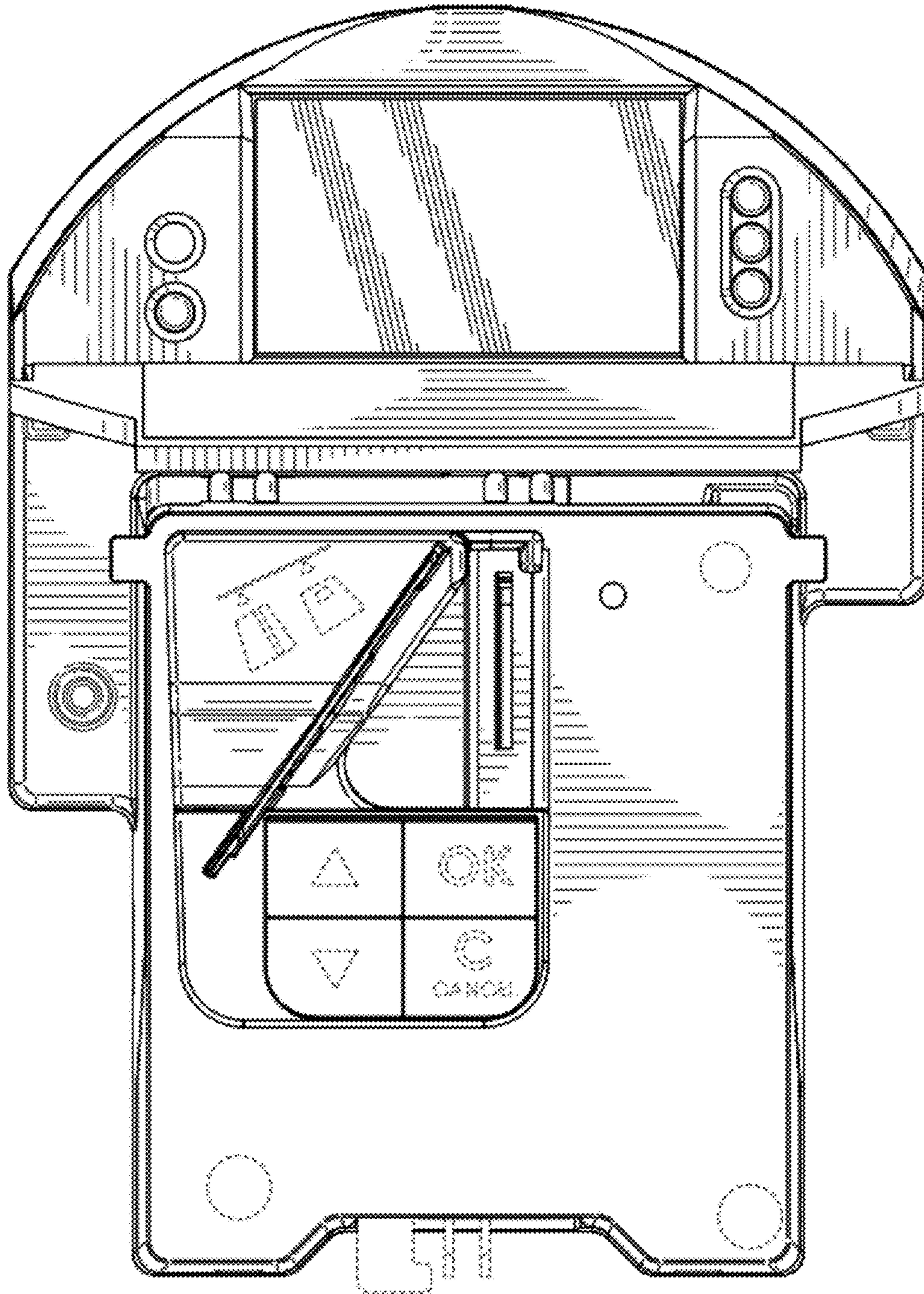


FIG. 2

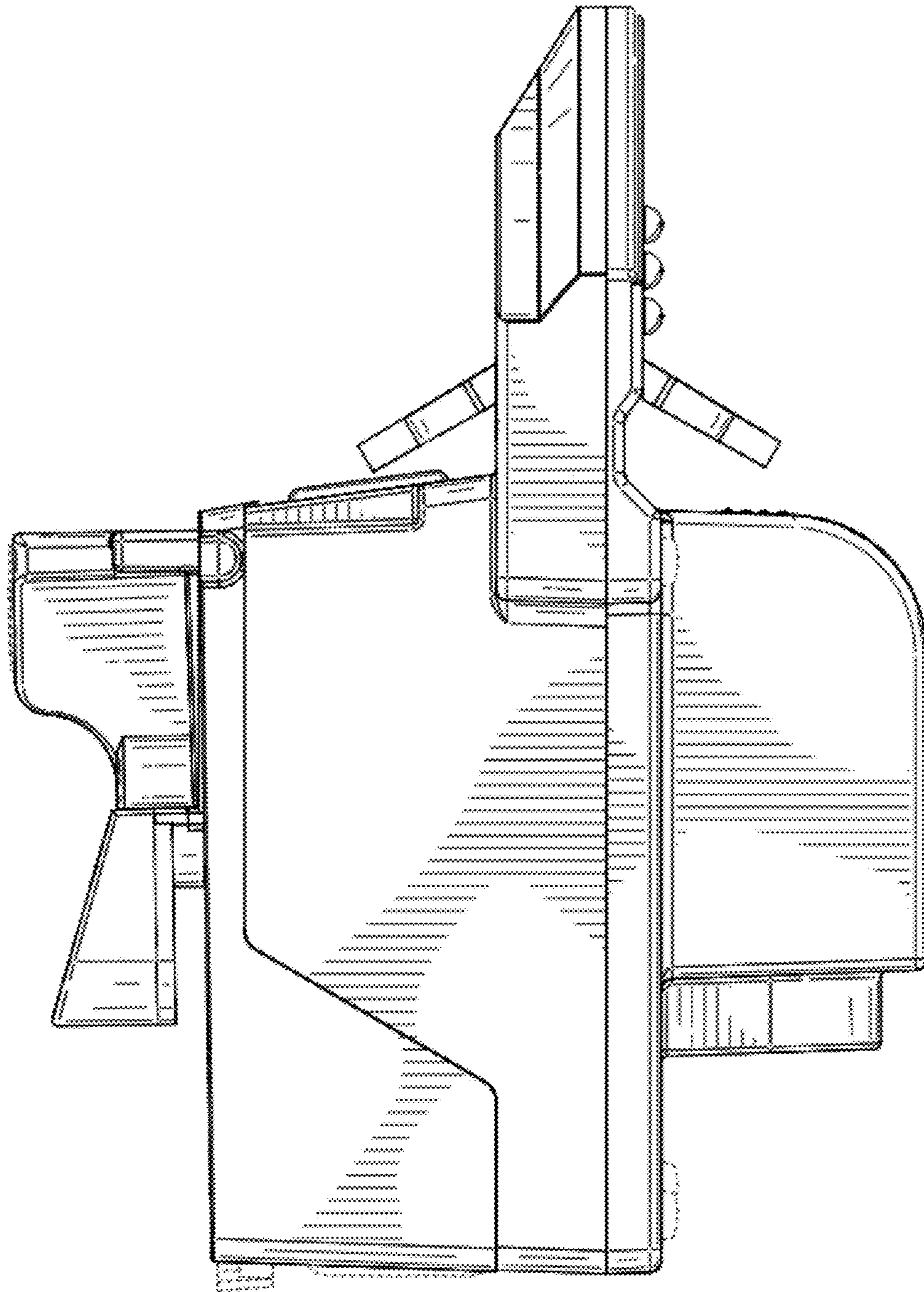


FIG. 3

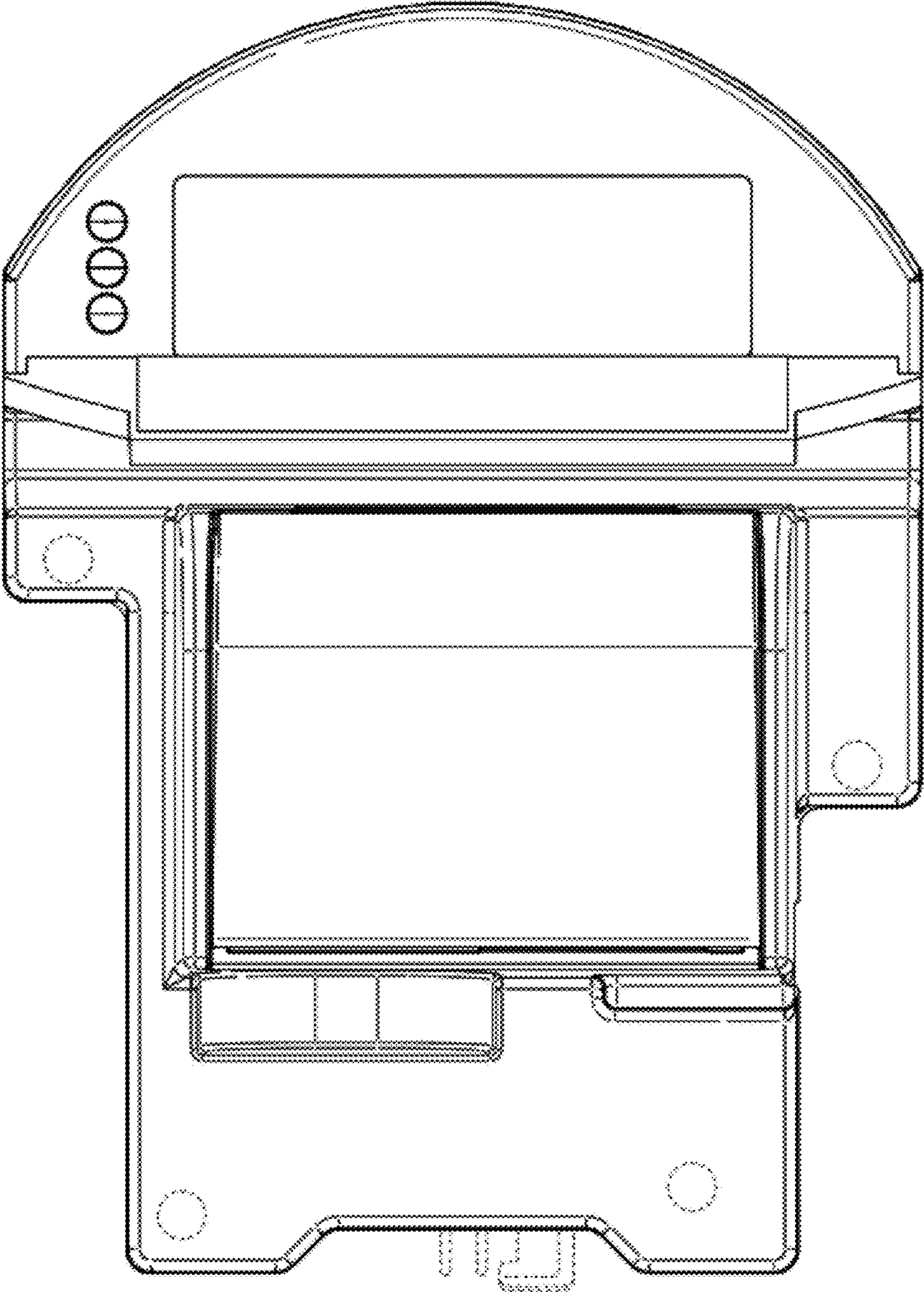


FIG. 4

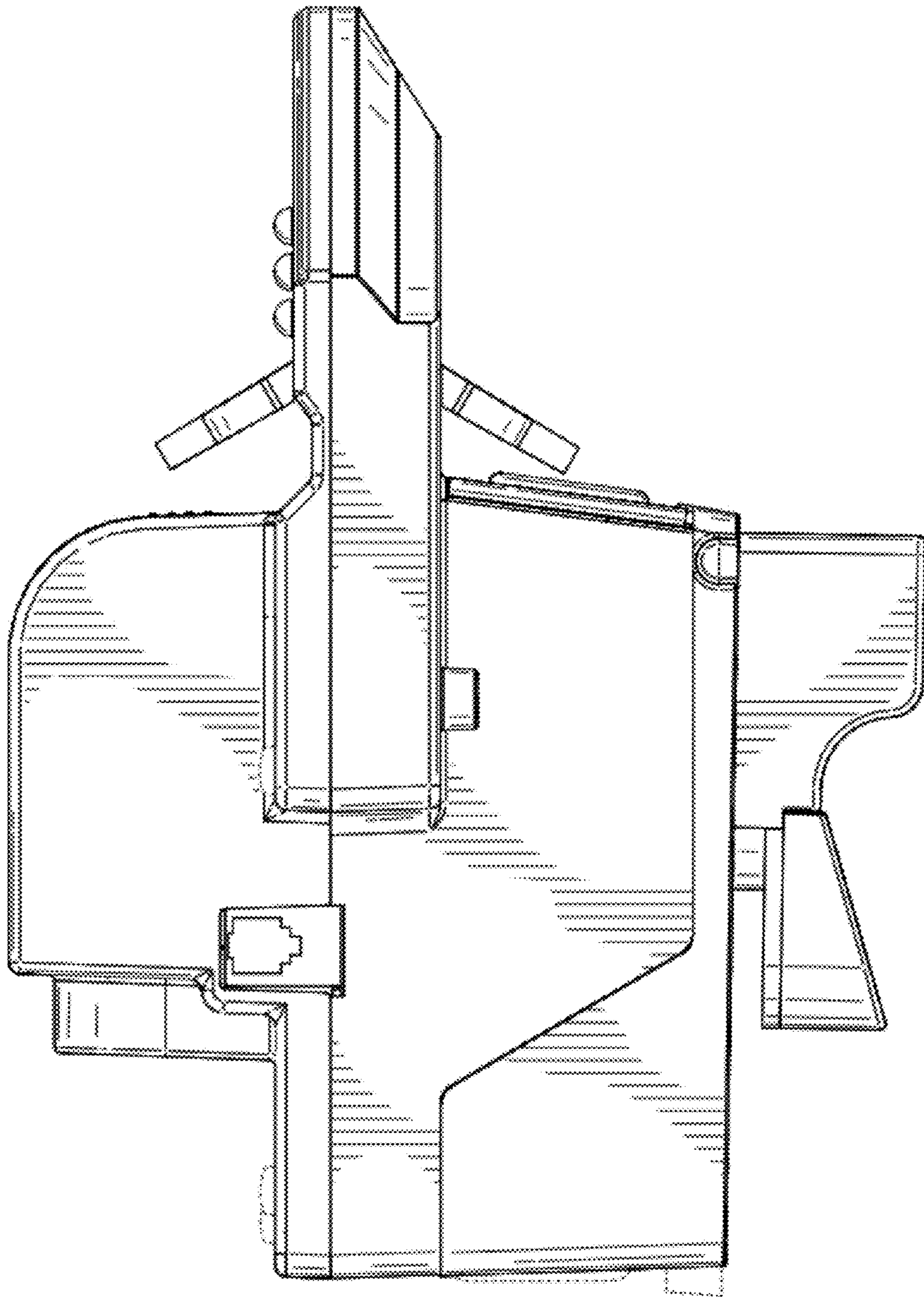


FIG. 5

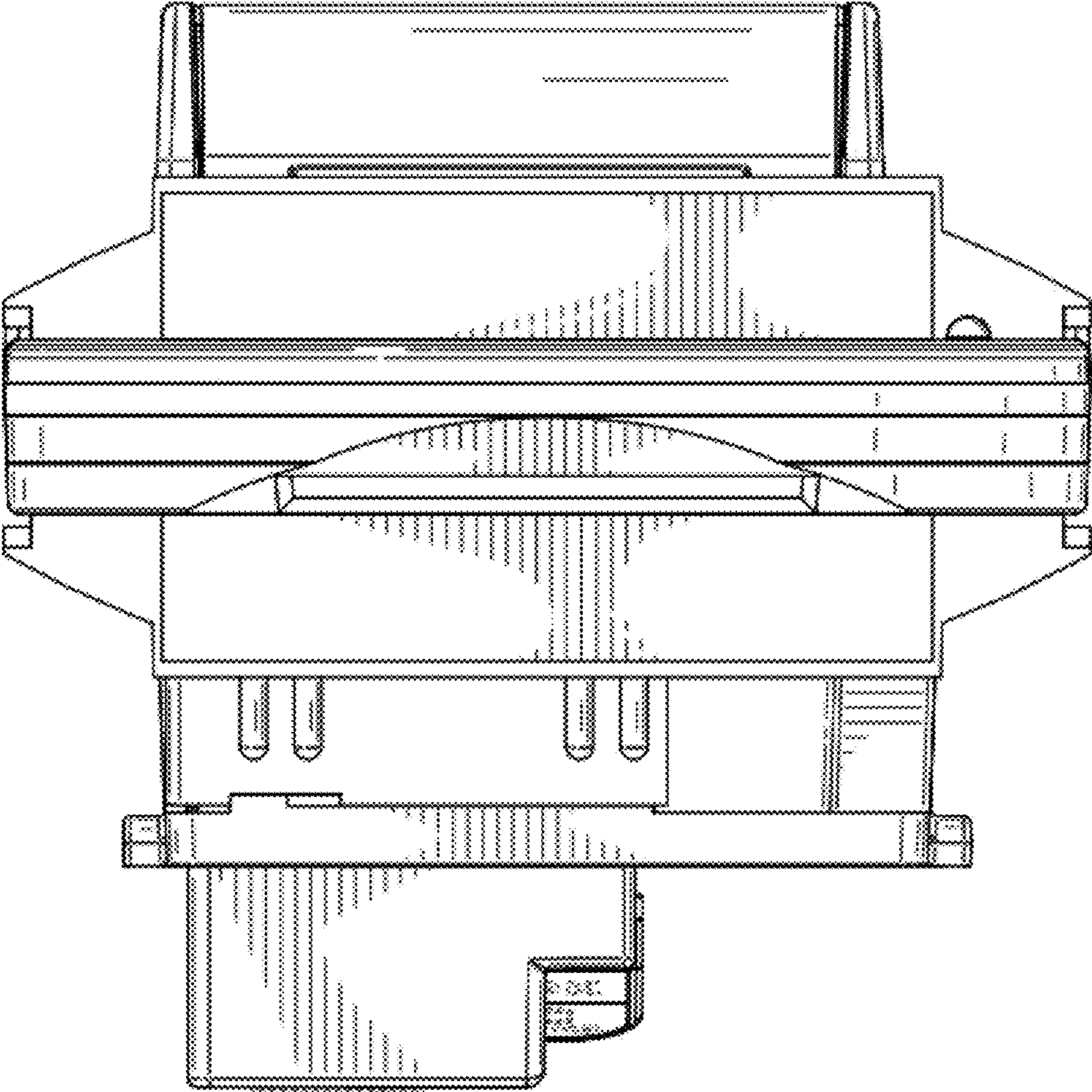


FIG. 6

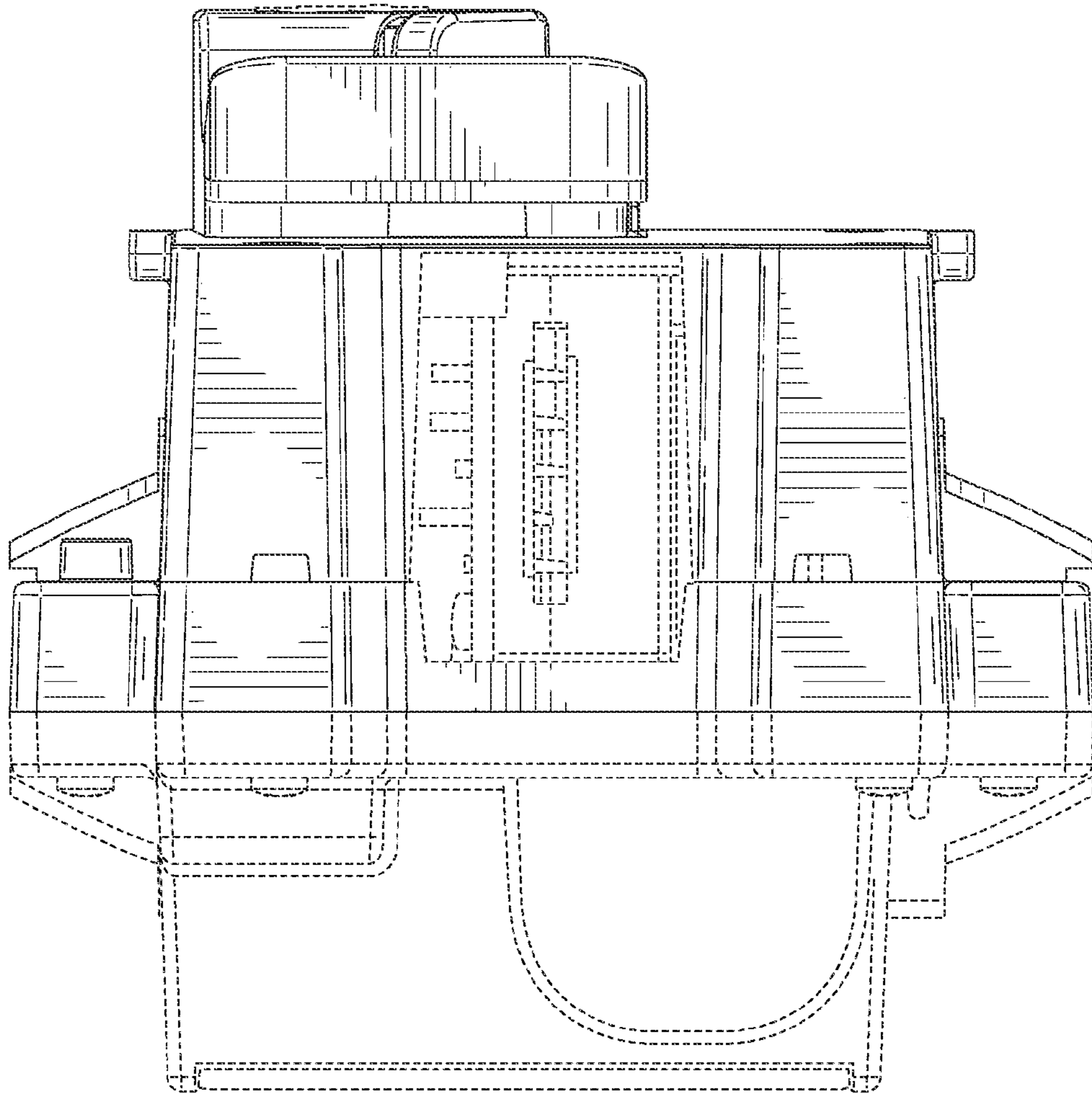


FIG. 7

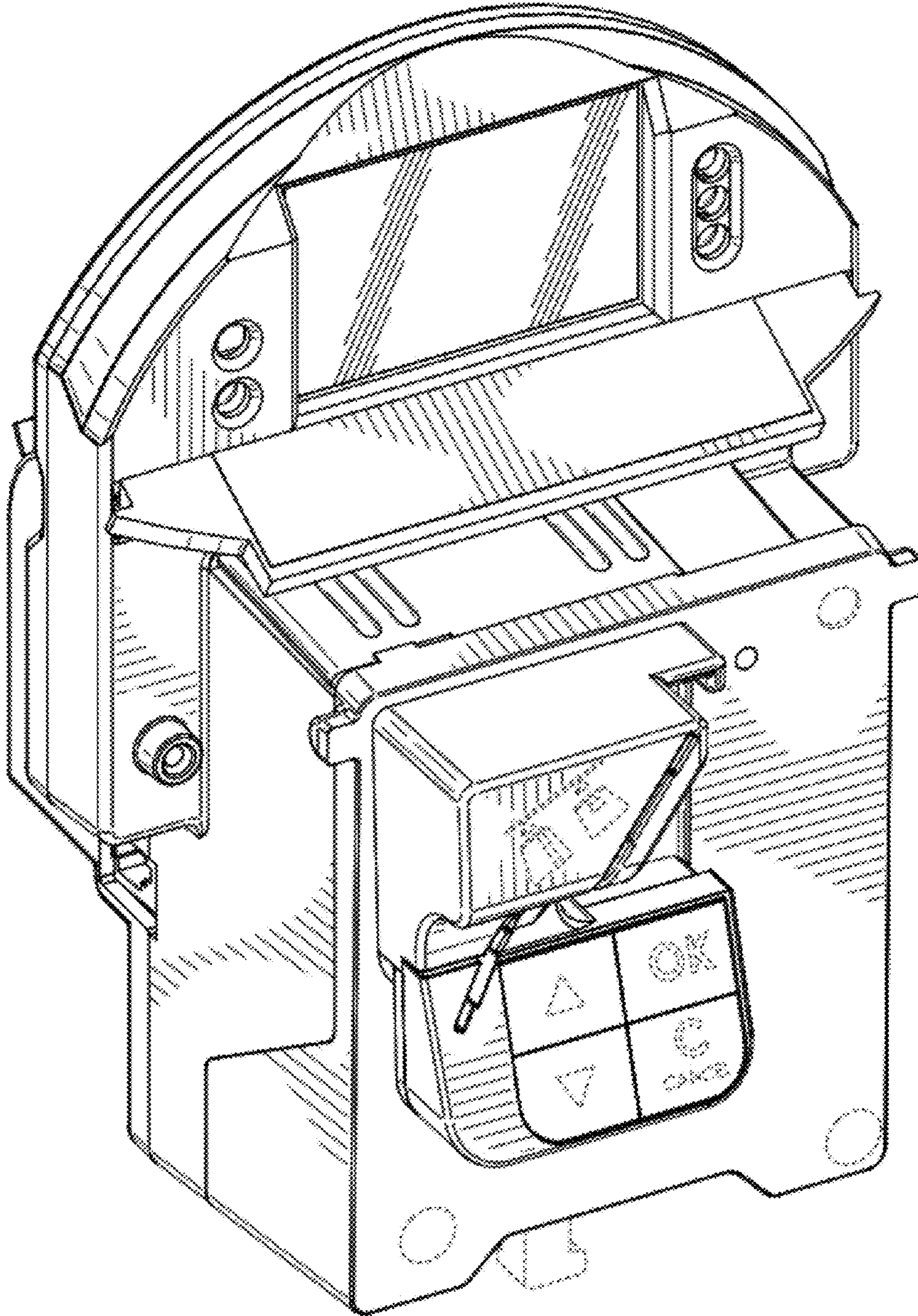


FIG. 8

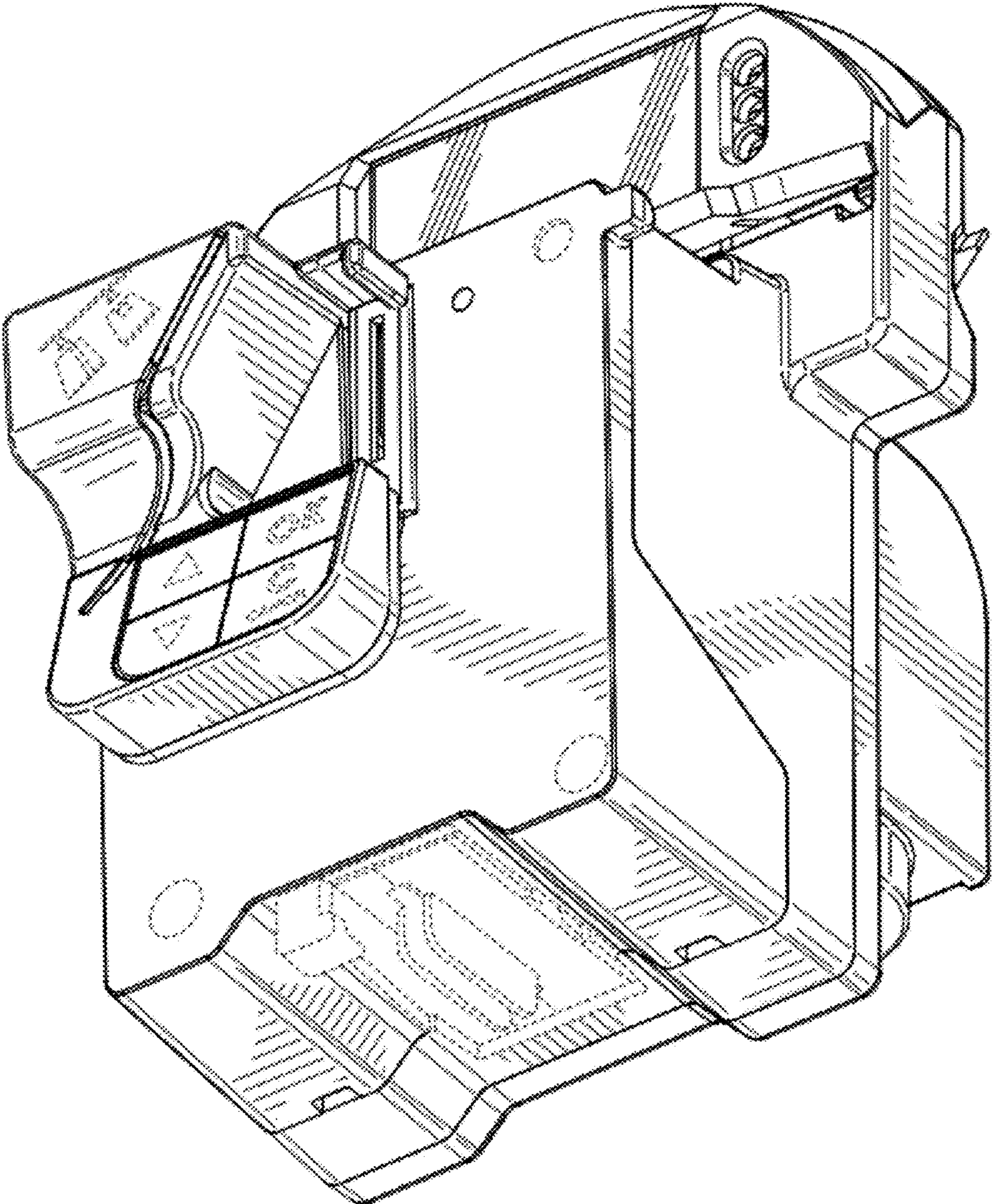


FIG. 9