



US00D659556S

(12) **United States Design Patent**  
**Johnson**

(10) **Patent No.:** **US D659,556 S**

(45) **Date of Patent:** **\*\* May 15, 2012**

(54) **MEETING TIMER**

(76) Inventor: **Bradley A. Johnson**, Bettendorf, IA  
(US)

(\*\*) Term: **14 Years**

(21) Appl. No.: **29/367,841**

(22) Filed: **Aug. 13, 2010**

(51) **LOC (9) Cl.** ..... **10-03**

(52) **U.S. Cl.** ..... **D10/40**

(58) **Field of Classification Search** ..... D10/40,  
D10/41, 15; 368/107-123

See application file for complete search history.

(56) **References Cited**

**U.S. PATENT DOCUMENTS**

D241,772	S	*	10/1976	Igo et al.	.....	D14/171
D245,765	S	*	9/1977	Yoshida	.....	D10/15
D270,522	S	*	9/1983	Cook	.....	D10/15
D304,018	S	*	10/1989	Nomizu	.....	D10/2
D304,453	S	*	11/1989	Matsushima	.....	D14/170
D310,032	S	*	8/1990	Murata	.....	D10/15
D311,141	S	*	10/1990	Murata	.....	D10/15
D337,276	S	*	7/1993	Yuen	.....	D10/2
D409,500	S	*	5/1999	Hargrove, III	.....	D10/15
D427,237	S	*	6/2000	Chu et al.	.....	D19/21
6,104,674	A	*	8/2000	Emoff et al.	.....	368/109

D468,218	S	*	1/2003	Greenberg et al.	.....	D10/40
D546,201	S	*	7/2007	Bhavnani	.....	D10/2
D553,514	S	*	10/2007	Tanaka et al.	.....	D10/41
D577,206	S	*	9/2008	Chang et al.	.....	D6/300

\* cited by examiner

*Primary Examiner* — Lucy Lieberman

(74) *Attorney, Agent, or Firm* — Hamilton IP Law, PC; Jay R. Hamilton; Charles A. Damschen

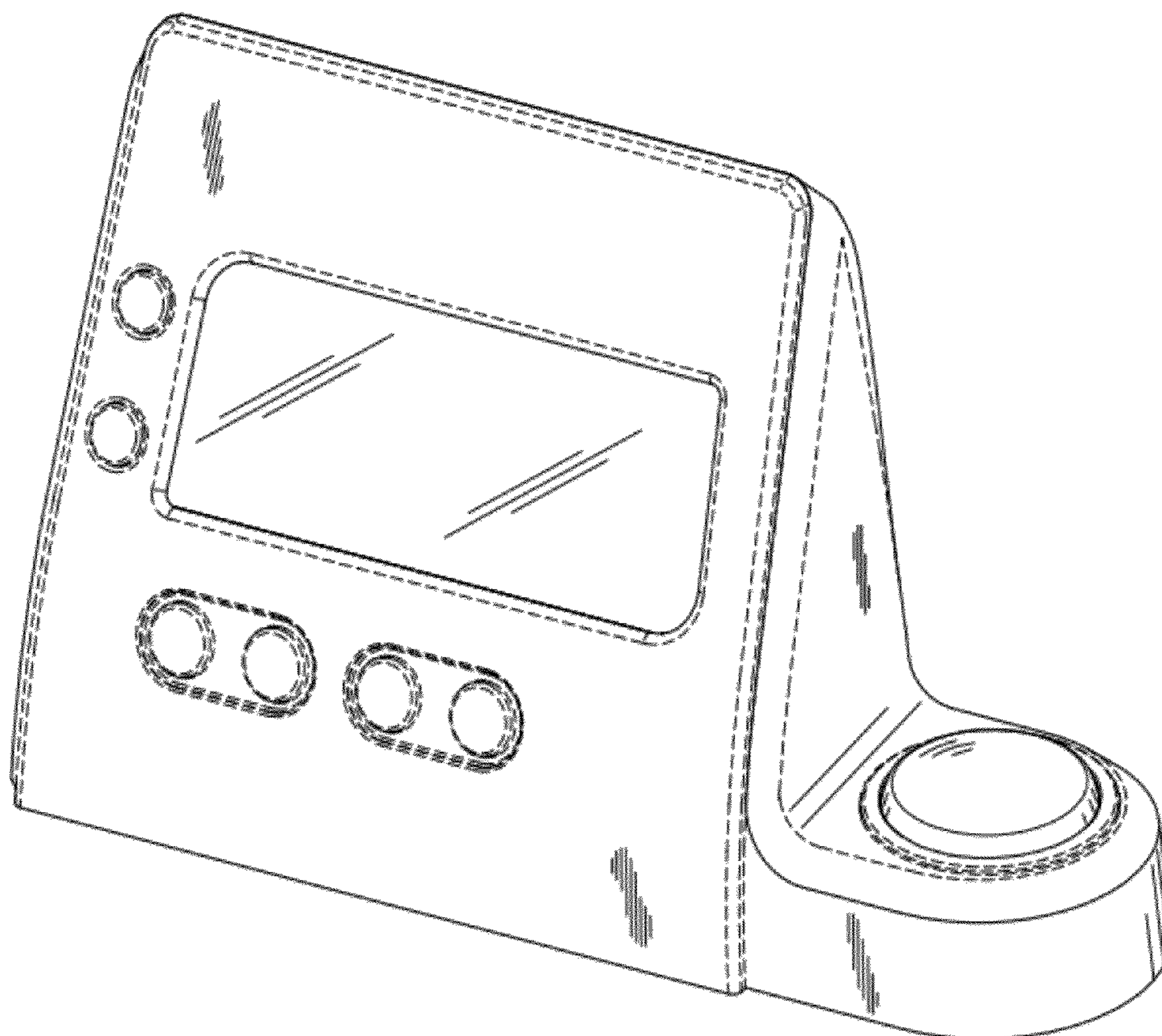
(57) **CLAIM**

The ornamental design for a meeting timer, as shown and described.

**DESCRIPTION**

FIG. 1 is a front perspective view showing my new design; FIG. 2 is a front elevation thereof; FIG. 3 is a rear elevation thereof; FIG. 4 is a left end view thereof; FIG. 5 is a right end view thereof; FIG. 6 is a top view thereof; FIG. 7 is a bottom plan view thereof; and, FIG. 8 is an enlarged view of the screen of FIGS. 1, 2 and 6. The screen is shown separately in FIG. 8 for ease of illustration. The broken lines in the Figures are for illustrative purposes only and form no part of the claimed design.

**1 Claim, 7 Drawing Sheets**



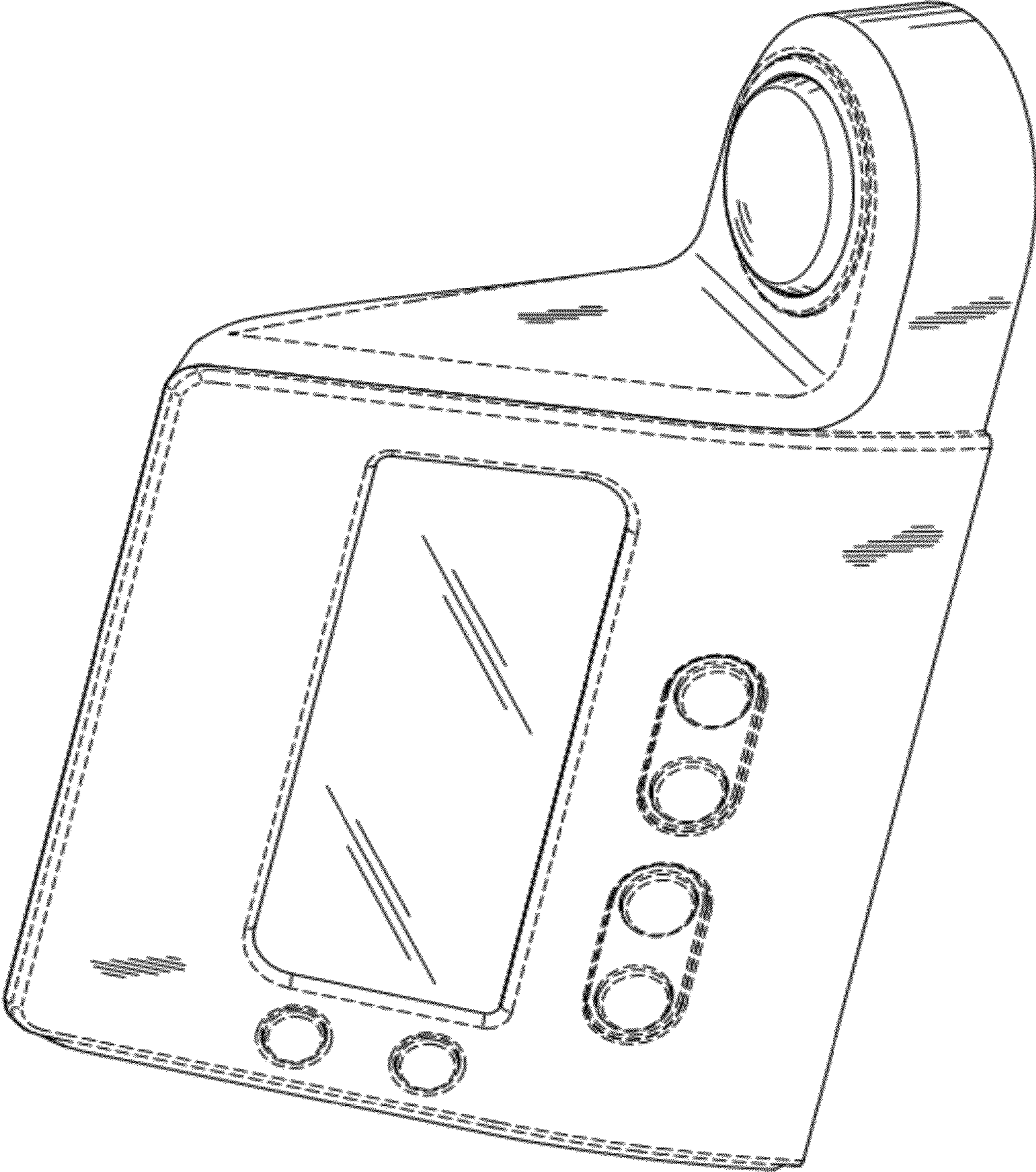


FIG. 1



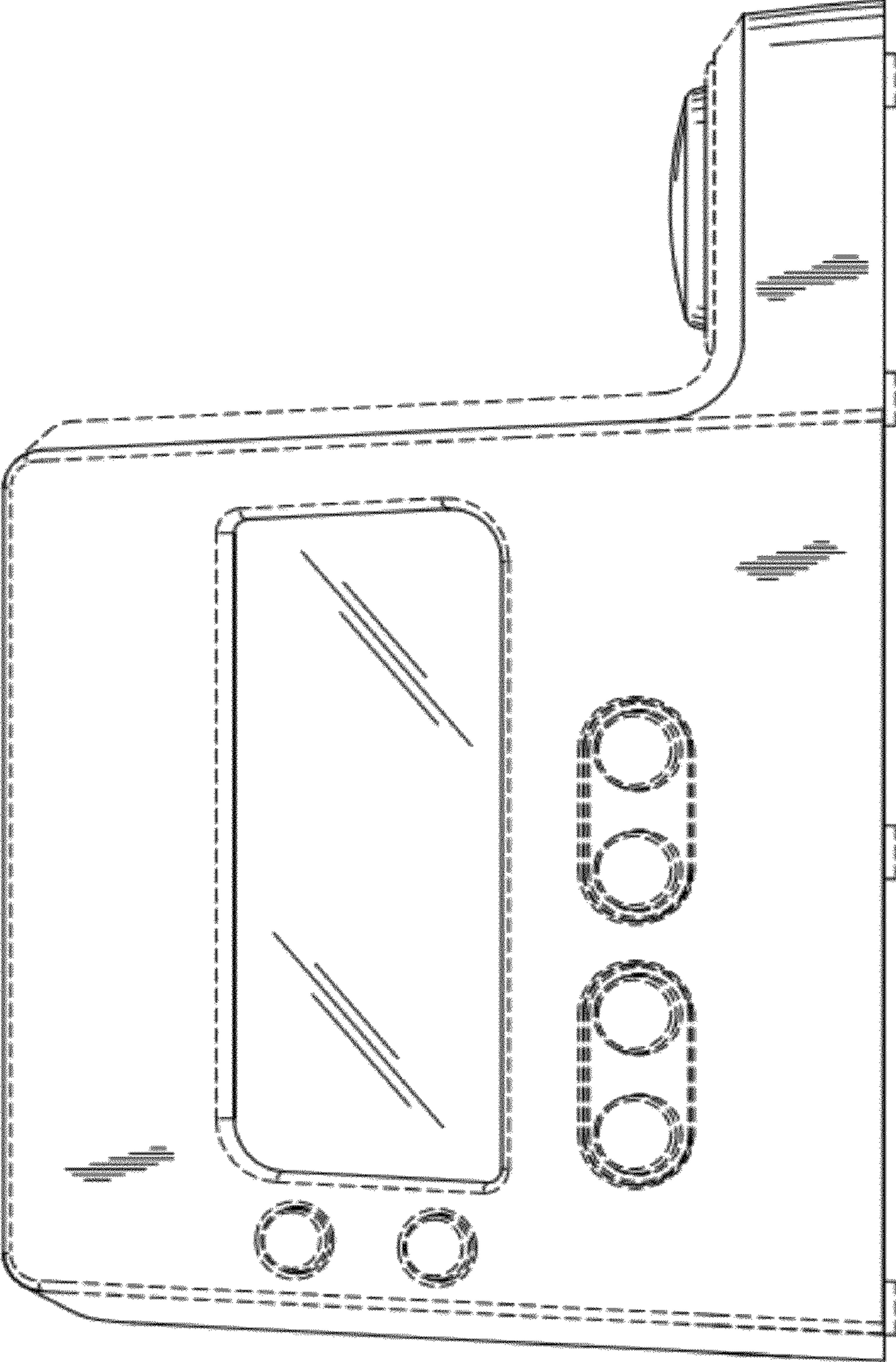


FIG. 2

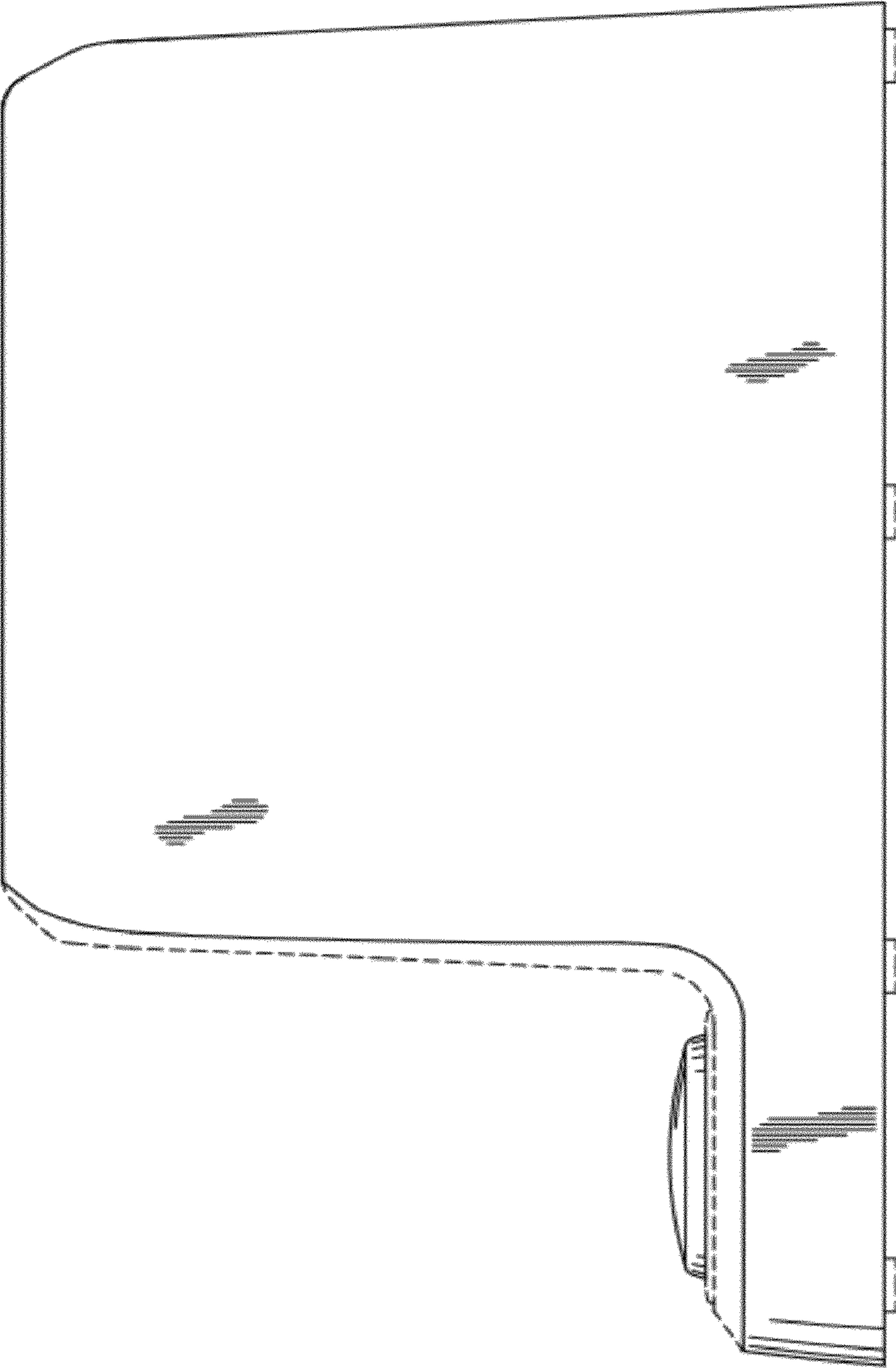


FIG. 3

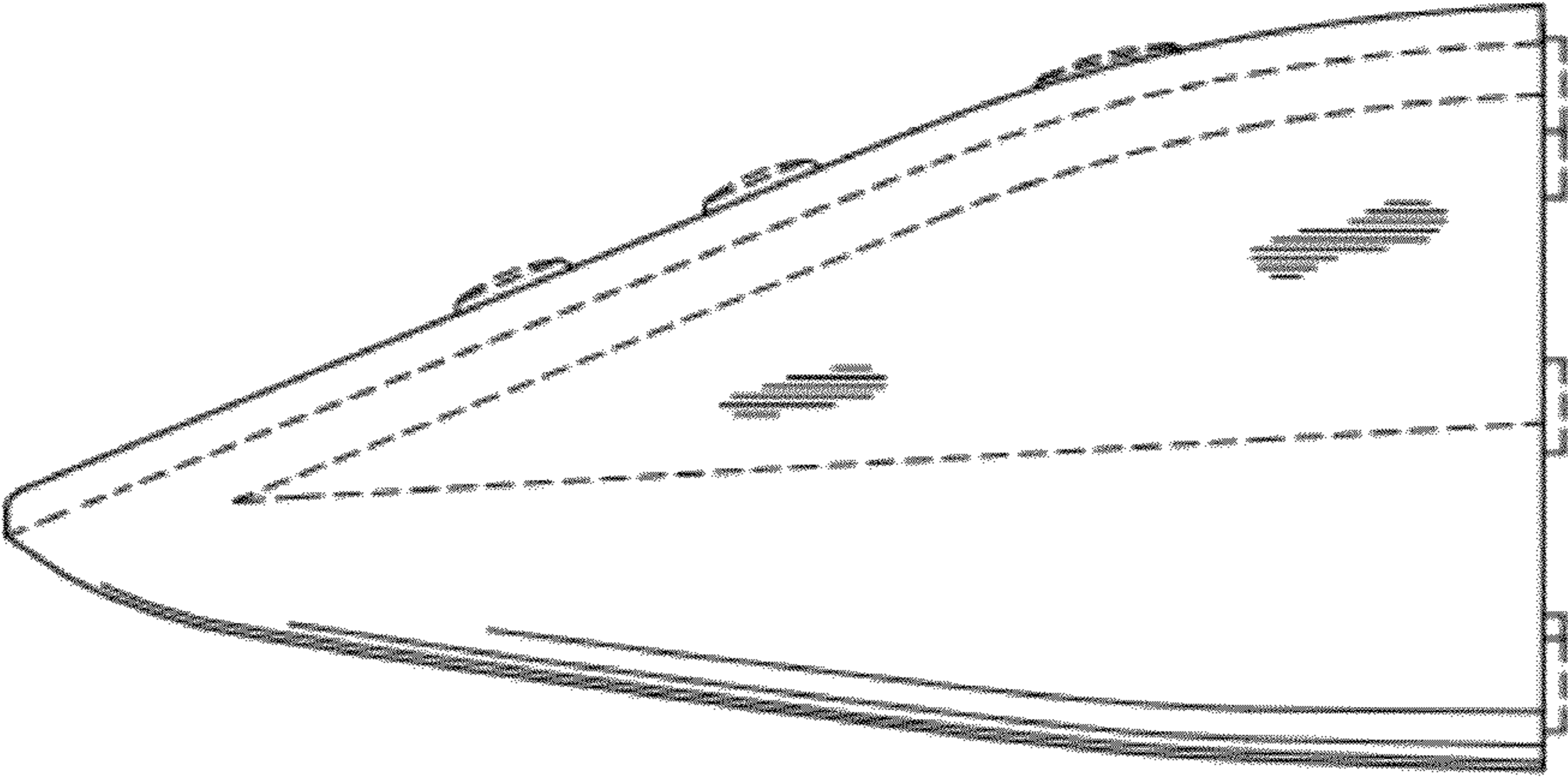


FIG. 5

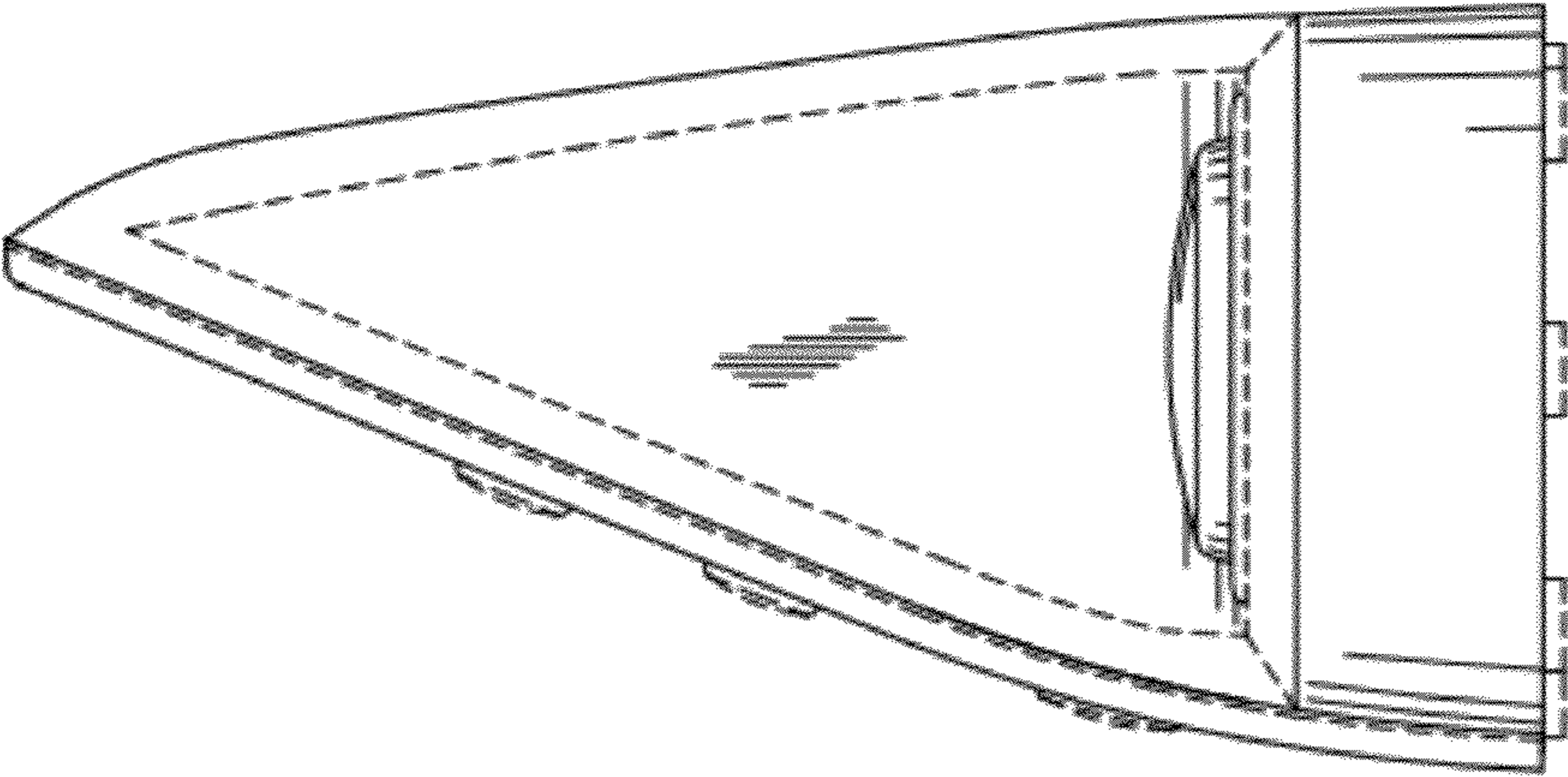


FIG. 4



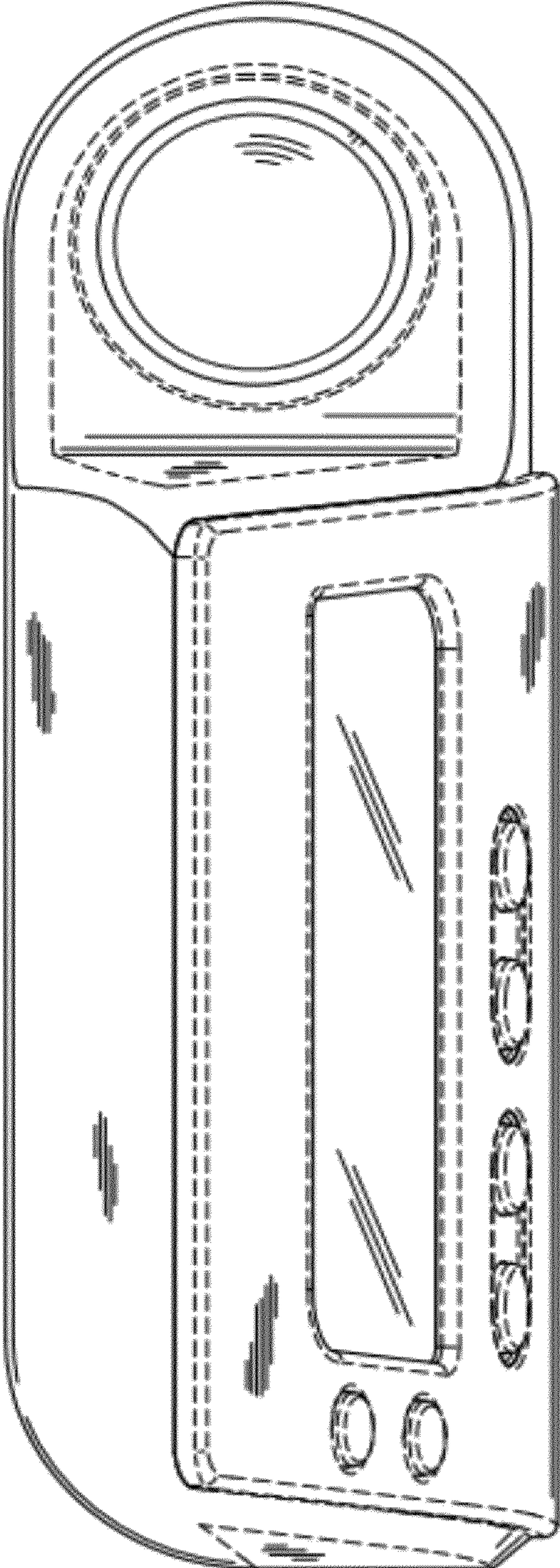


FIG. 6



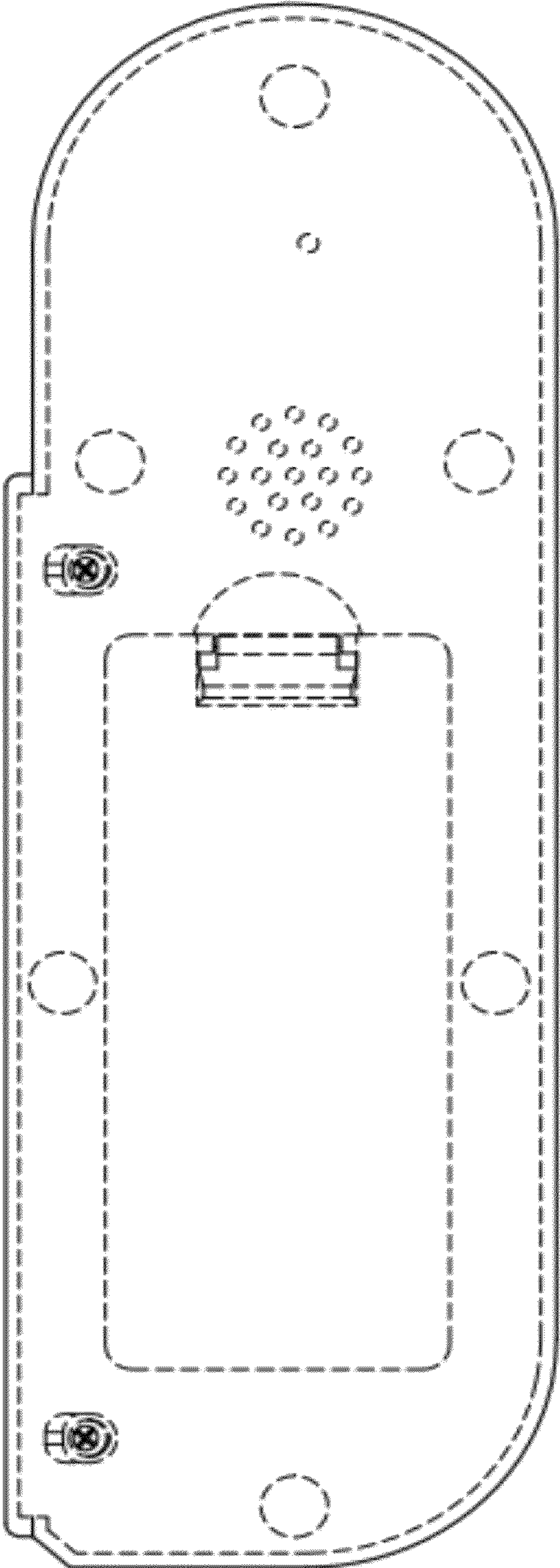


FIG. 7

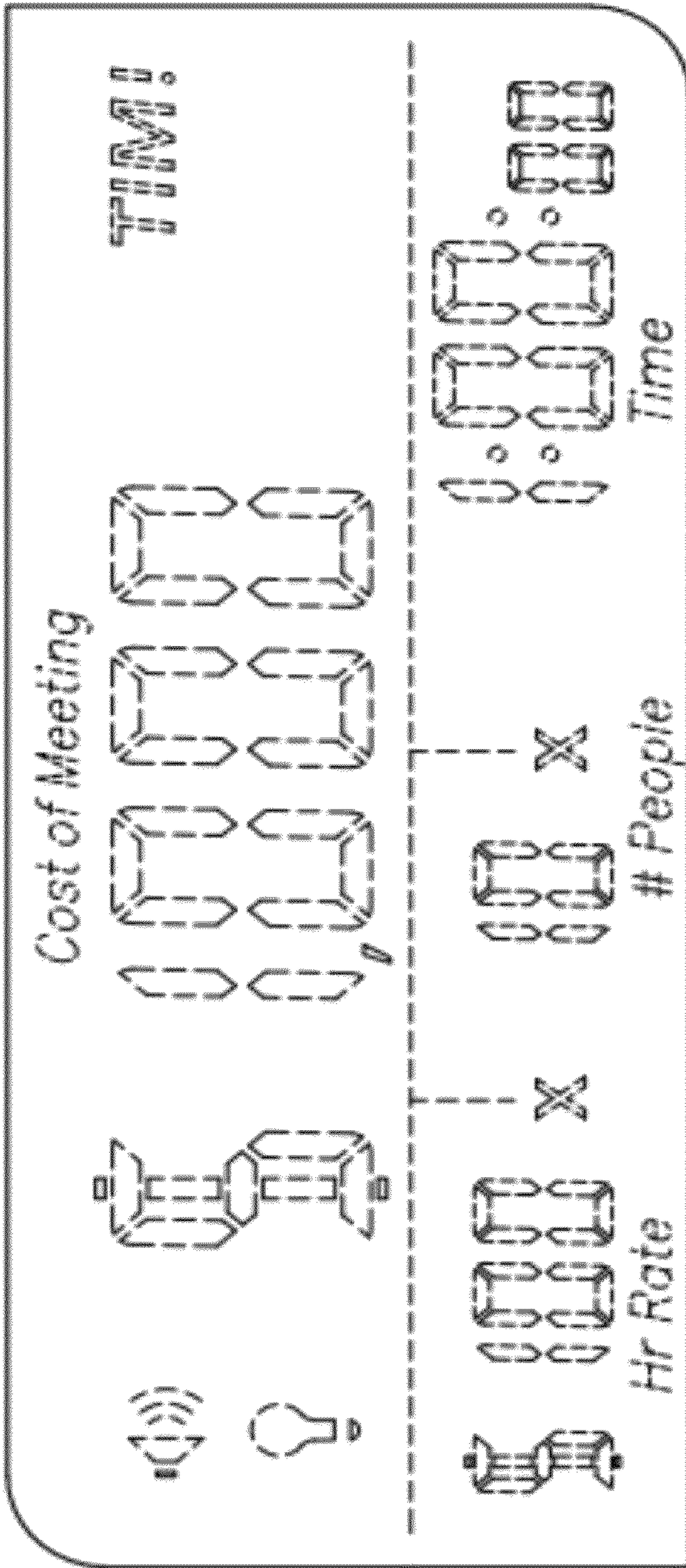


FIG. 8