



US00D659554S

(12) **United States Design Patent**
Yurman

(10) **Patent No.:** **US D659,554 S**

(45) **Date of Patent:** **** May 15, 2012**

(54) **WRISTWATCH**

(76) Inventor: **David Yurman**, New York, NY (US)

(**) Term: **14 Years**

(21) Appl. No.: **29/400,361**

(22) Filed: **Aug. 26, 2011**

(30) **Foreign Application Priority Data**

Feb. 28, 2011 (CH) 2011-00170

(51) **LOC (9) Cl.** **10-02**

(52) **U.S. Cl.** **D10/32**

(58) **Field of Classification Search** D10/30-39;
368/276, 281, 282, 285, 288, 308, 289, 290
See application file for complete search history.

(56) **References Cited**

U.S. PATENT DOCUMENTS

2,361,563	A *	10/1944	Pellaton	368/80
2,385,234	A *	9/1945	Schmitz	368/288
D186,180	S *	9/1959	Diamond	D10/39
D295,838	S *	5/1988	Ando	D10/32
D301,310	S *	5/1989	Nakai	D10/32
D306,981	S *	4/1990	Bettelini	D11/3
D365,526	S *	12/1995	Gardner	D10/39
D382,815	S *	8/1997	Riley	D10/30
D438,472	S *	3/2001	Fichter	D10/39
D547,206	S *	7/2007	Dewitt	D10/31

D547,211	S *	7/2007	Dias	D10/39
D551,095	S *	9/2007	Monachon	D10/32
D554,003	S *	10/2007	Journe	D10/31
D580,795	S *	11/2008	Lalo	D10/32
D589,373	S *	3/2009	Chen	D10/32
D590,275	S *	4/2009	Monachon	D10/32
D594,350	S *	6/2009	Arpa	D10/32
D608,223	S *	1/2010	Salanitro	D10/38
D628,911	S *	12/2010	Giannini	D10/32
D632,592	S *	2/2011	Actis-Datta	D10/32
D644,952	S *	9/2011	Rabassa	D11/3

* cited by examiner

Primary Examiner — Lucy Lieberman

(74) *Attorney, Agent, or Firm* — McCarter & English, LLP

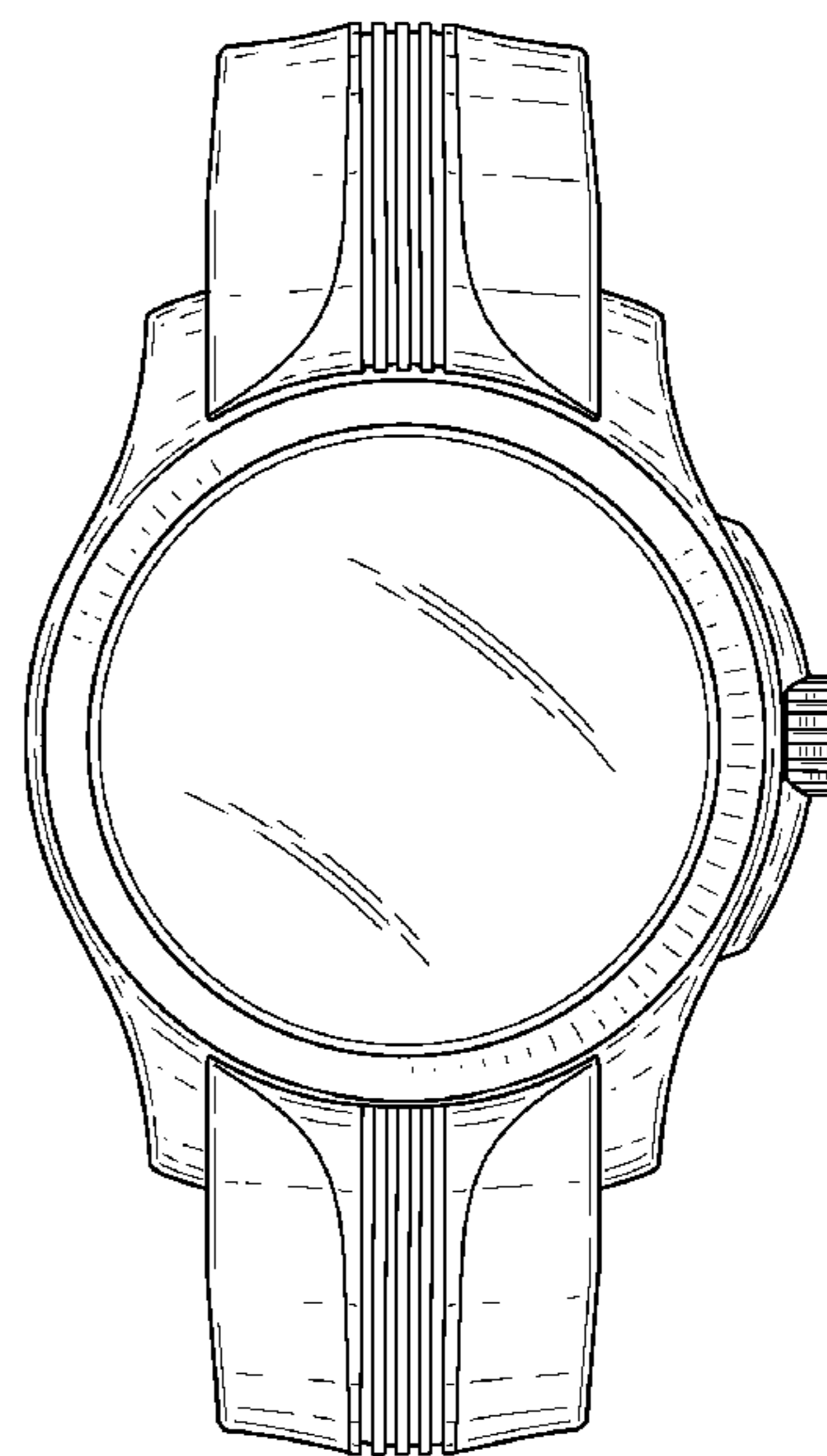
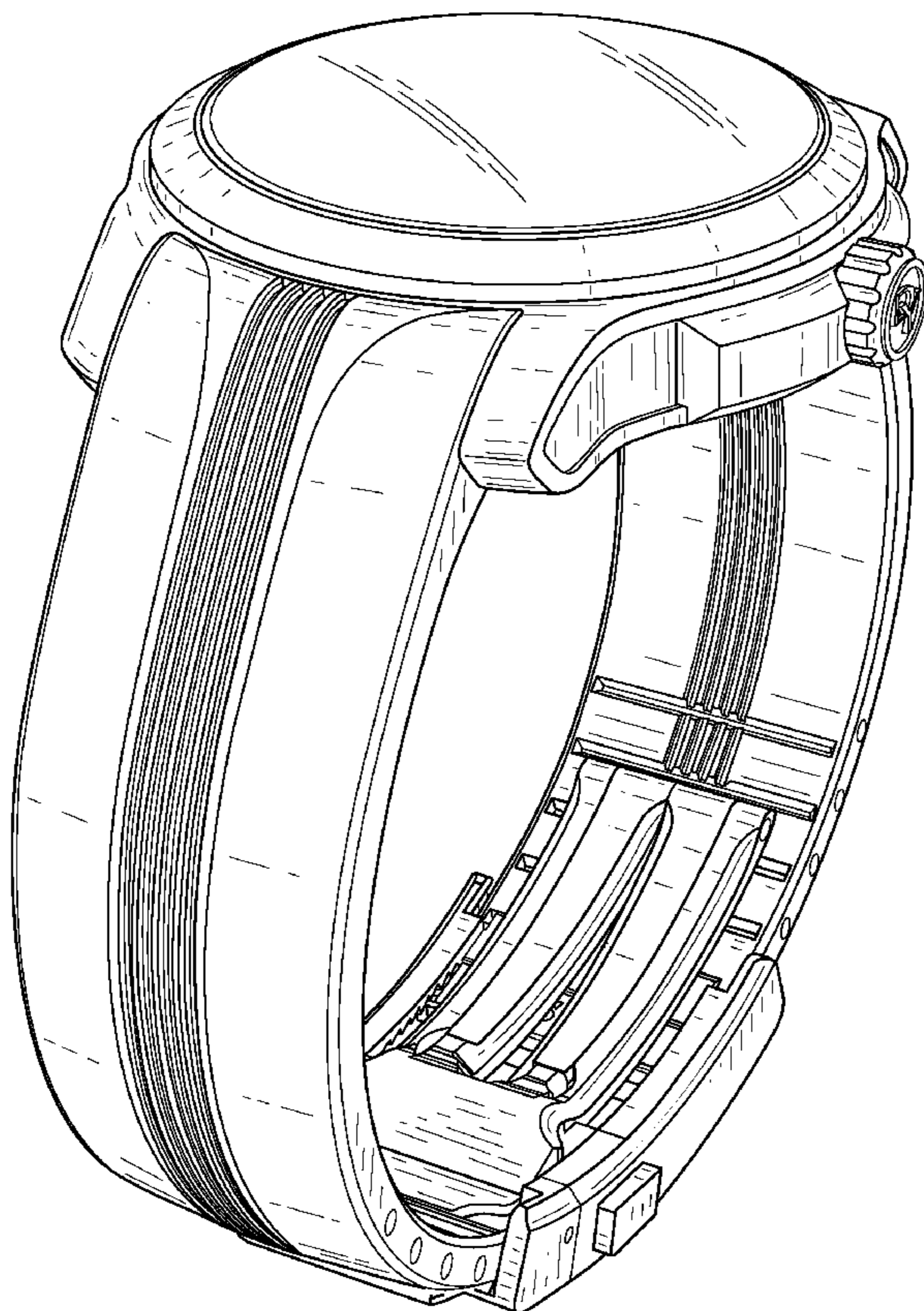
(57) **CLAIM**

The ornamental design for a wristwatch, as shown.

DESCRIPTION

FIG. 1 is a perspective view of a wristwatch showing my new design;
FIG. 2 shows a top plan view thereof;
FIG. 3 shows a bottom plan view thereof;
FIG. 4 shows a front elevational view thereof;
FIG. 5 shows a rear elevational view thereof;
FIG. 6 shows a right side elevational view thereof; and,
FIG. 7 shows a left side elevational view thereof.

1 Claim, 7 Drawing Sheets



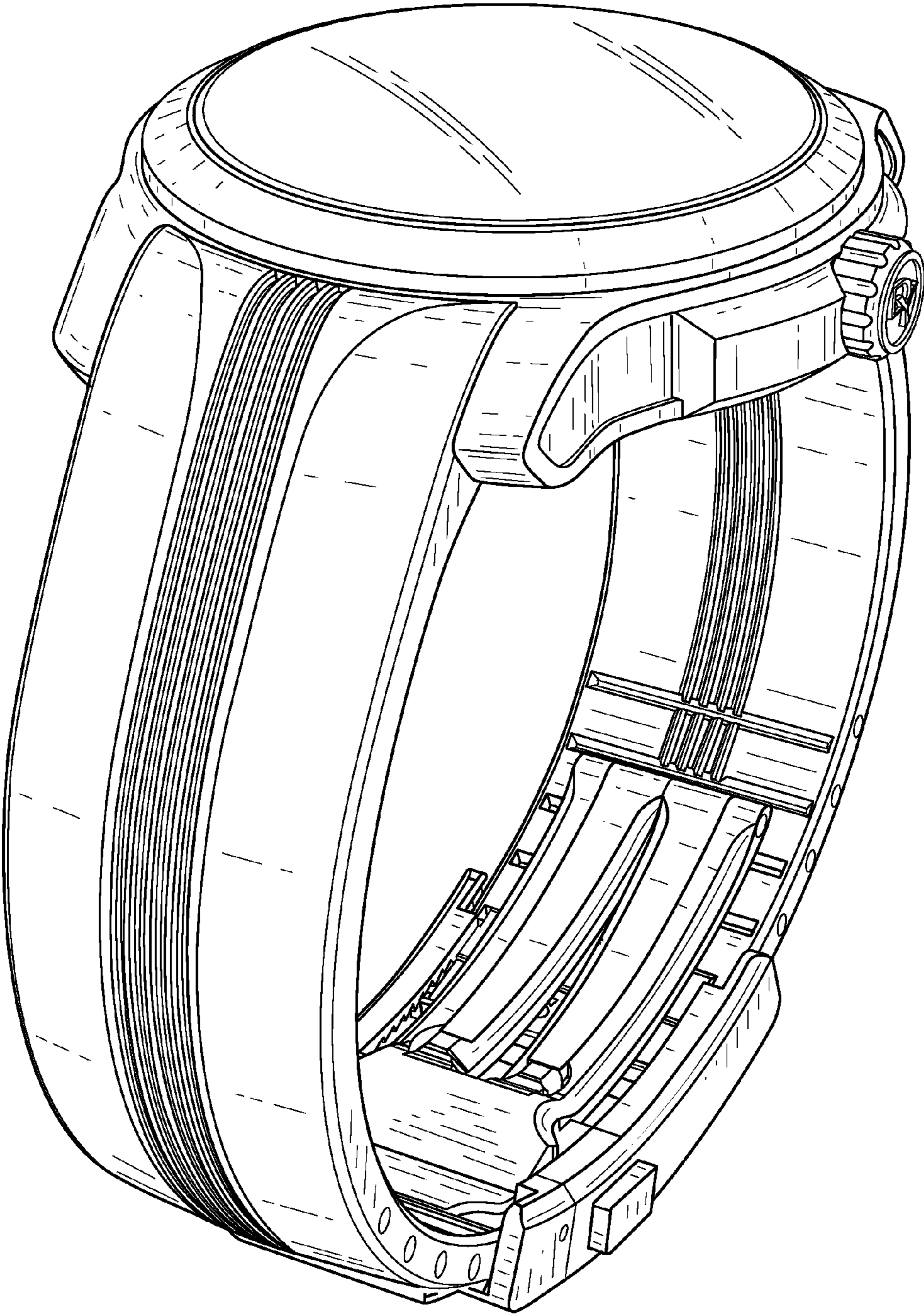


FIG. 1

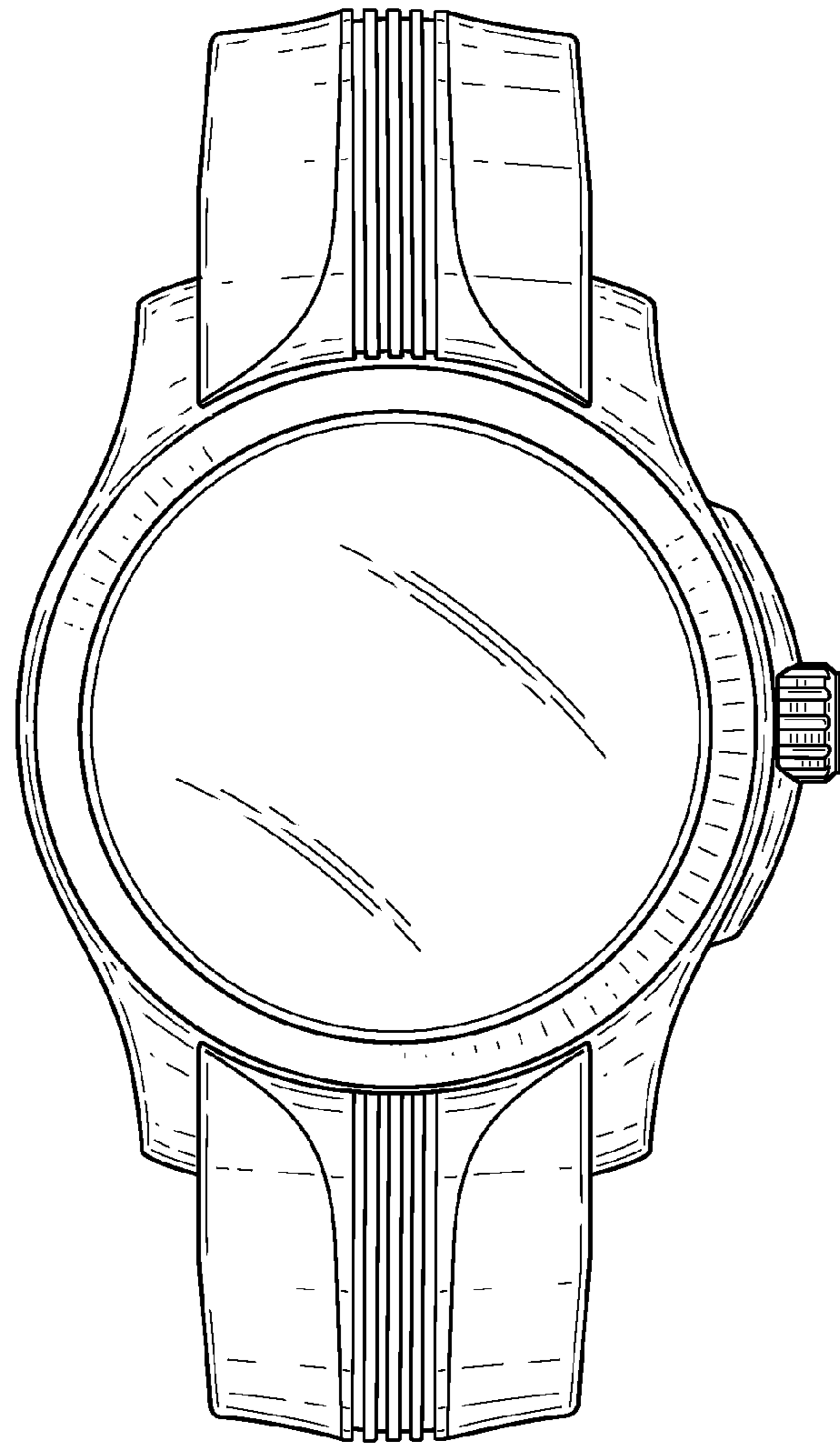


FIG. 2

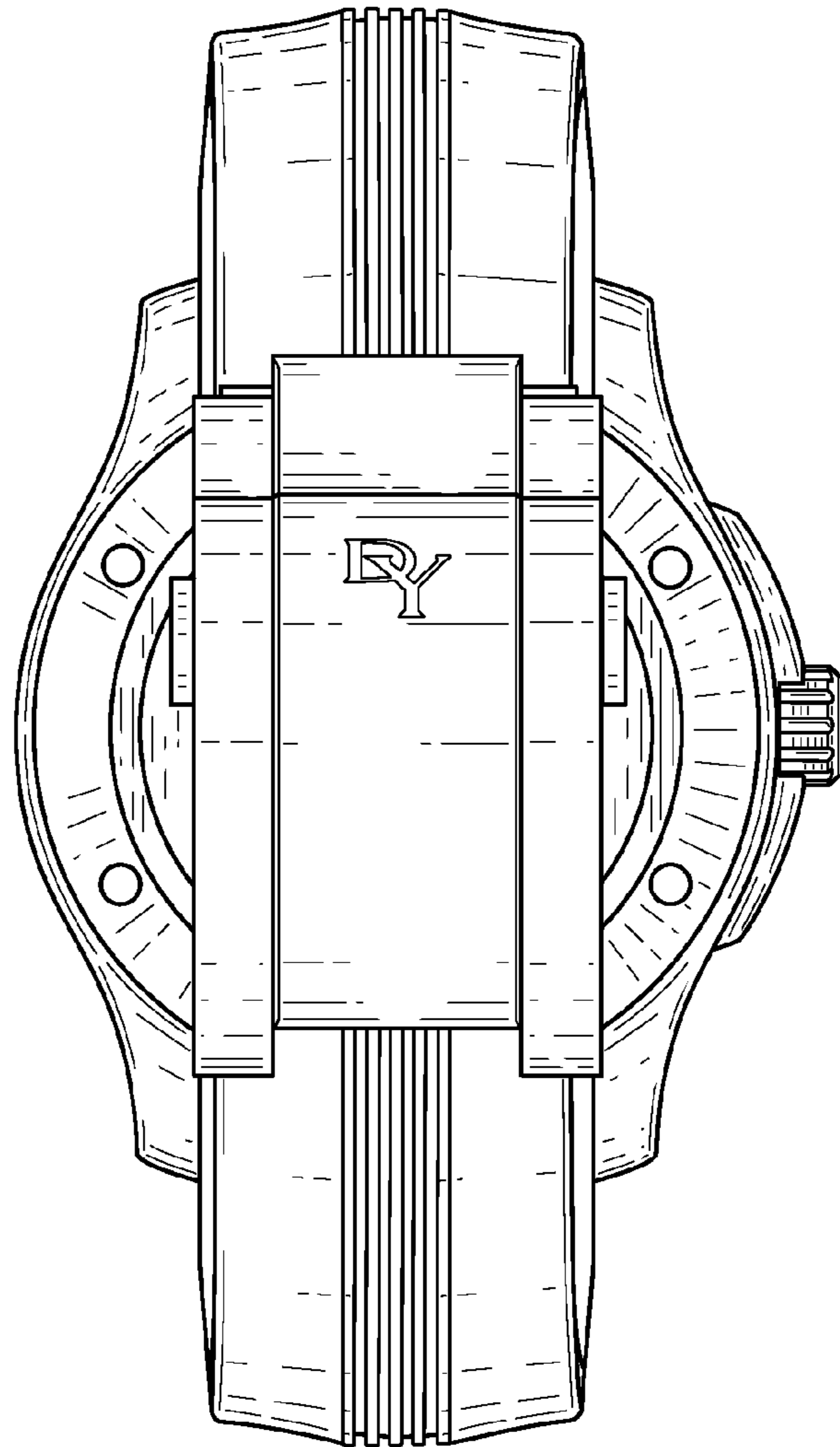


FIG. 3

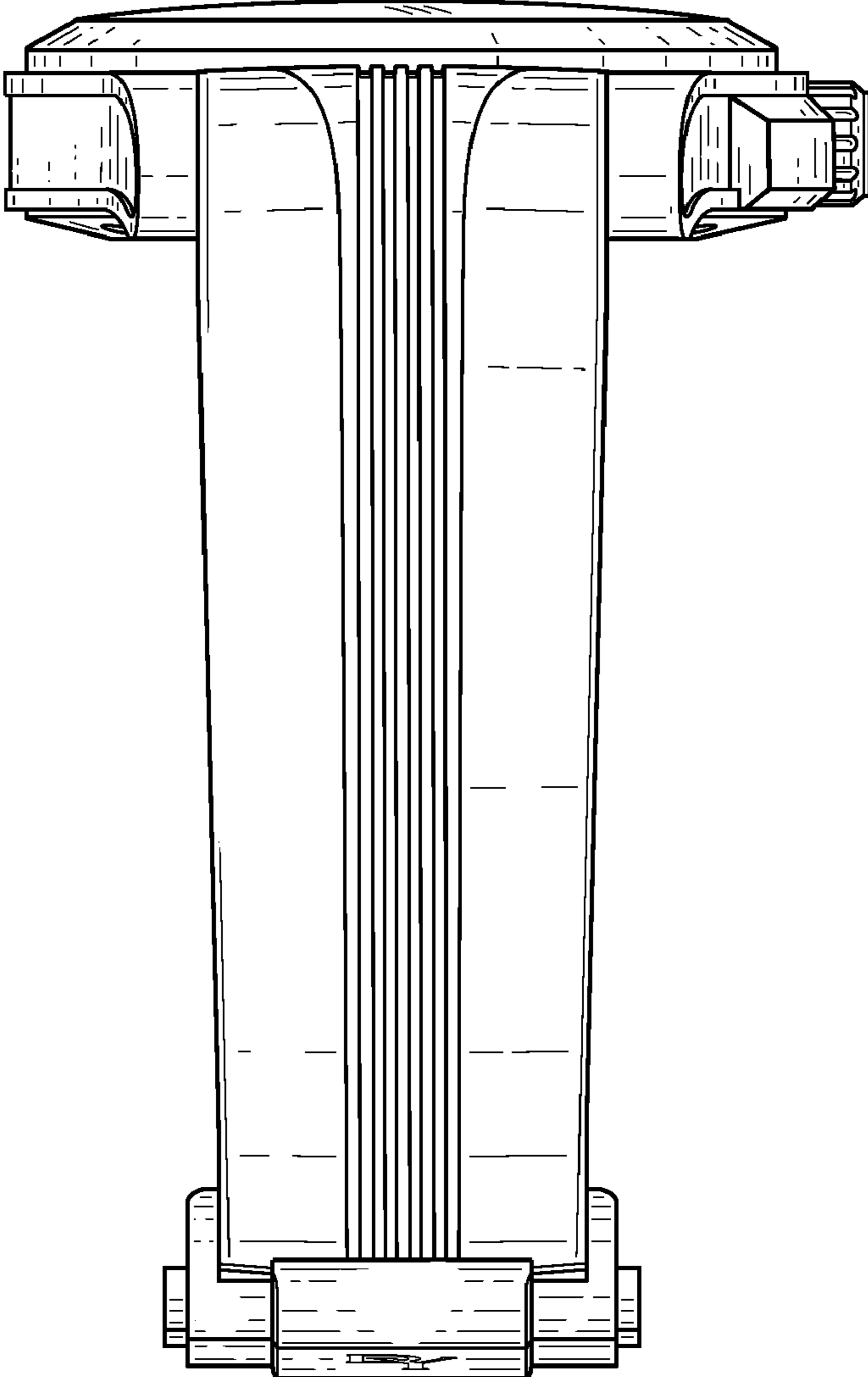


FIG. 4

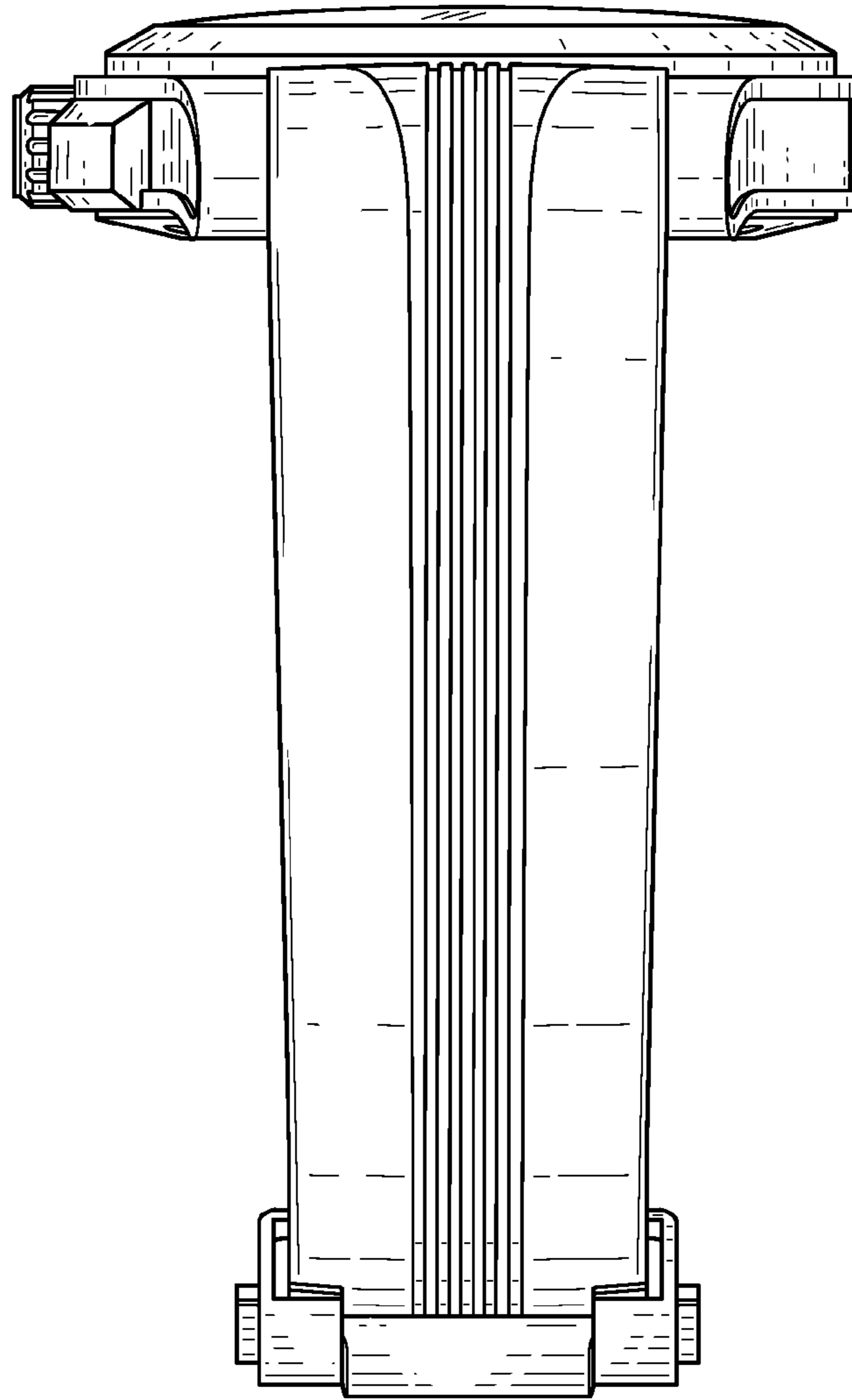


FIG. 5

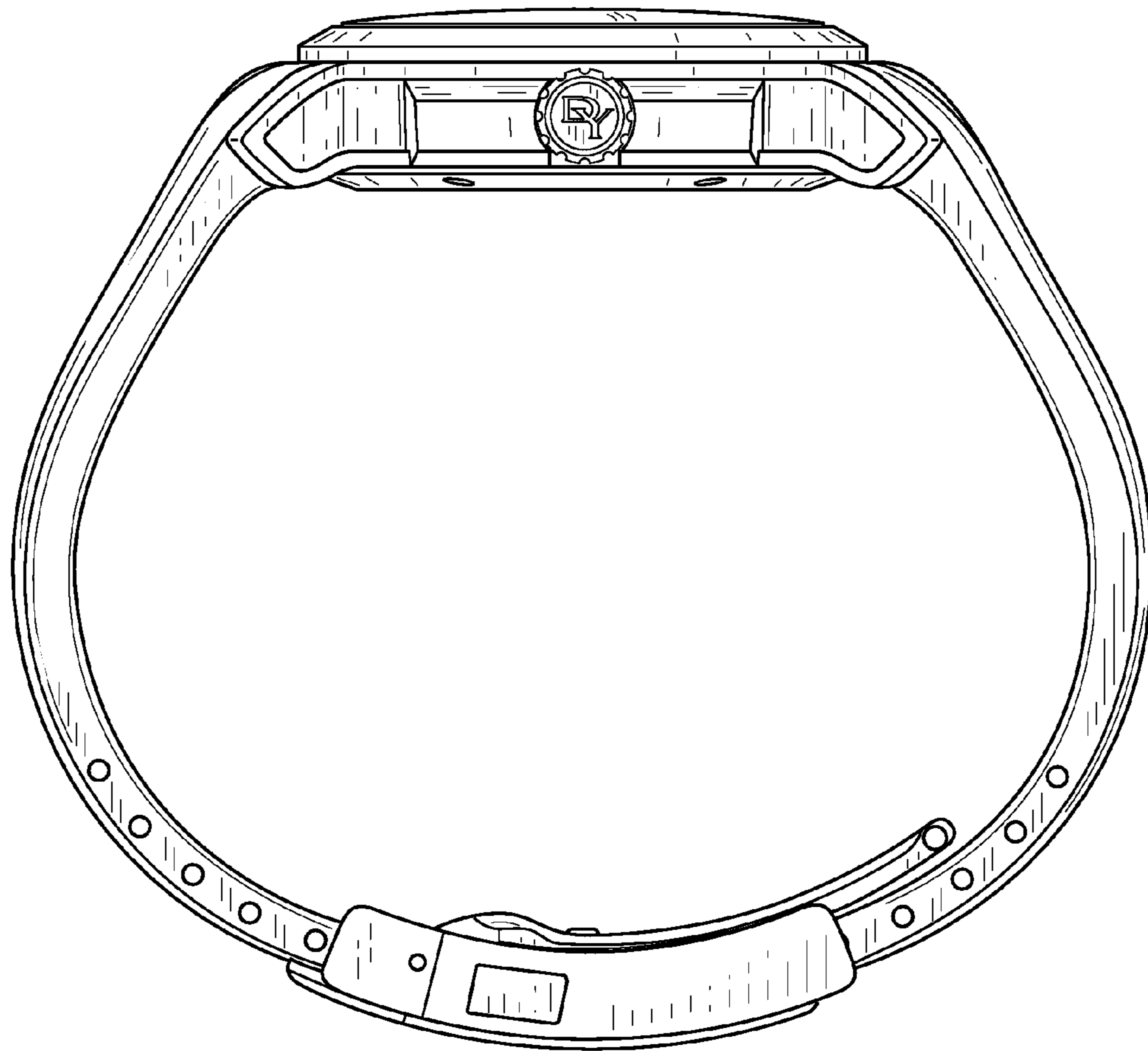


FIG. 6

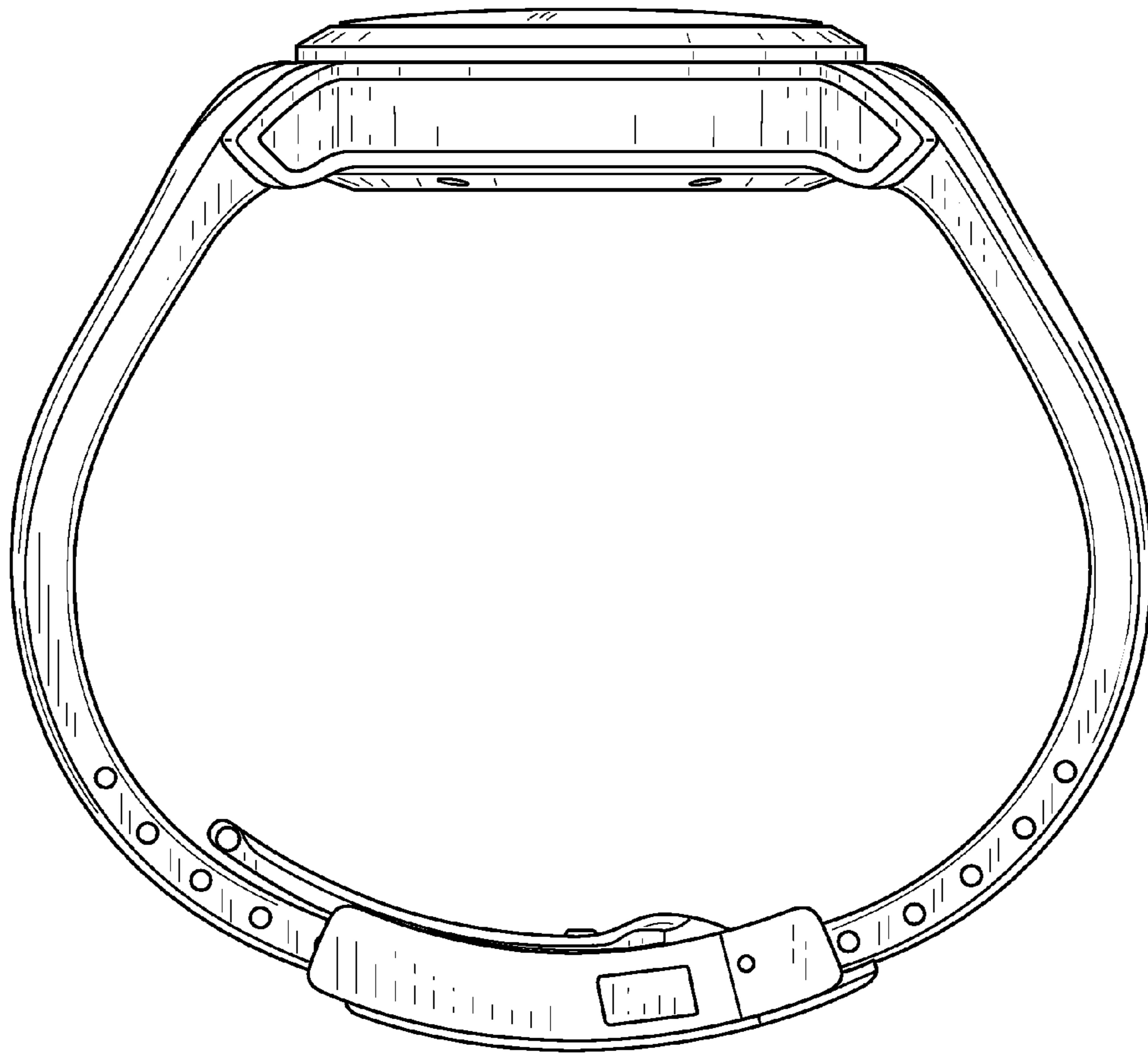


FIG. 7