



US00D659552S

(12) **United States Design Patent**
Nielsen, Sr. et al.

(10) **Patent No.:** **US D659,552 S**
(45) **Date of Patent:** **** May 15, 2012**

(54) **ALARM CLOCK WITH COMICAL FEMALE VOICE SETTINGS**

(76) Inventors: **Andrew W. Nielsen, Sr.**, Burbonnais, IL (US); **Jon M. Nielsen**, Burbonnais, IL (US)

(**) Term: **14 Years**

(21) Appl. No.: **29/411,570**

(22) Filed: **Jan. 24, 2012**

(51) **LOC (9) Cl.** **10-01**

(52) **U.S. Cl.** **D10/2; D10/15; D10/26**

(58) **Field of Classification Search** D10/1-29; D14/171; 368/316, 317, 274, 250, 12, 63, 368/72, 73

See application file for complete search history.

(56) **References Cited**

U.S. PATENT DOCUMENTS

D228,515	S	*	10/1973	Watanaabe	D10/3
D249,651	S	*	9/1978	Hirosawa	D10/15
4,287,584	A	*	9/1981	Tanimoto et al.	368/63
D269,344	S	*	6/1983	Van de Ven	D14/171
D274,247	S	*	6/1984	Genaro et al.	D14/144
D304,018	S		10/1989	Nomizu		
D330,553	S	*	10/1992	Hino	D14/171
D339,579	S	*	9/1993	Kronen	D14/171
5,379,273	A	*	1/1995	Horinek	368/73
D368,227	S	*	3/1996	Danko et al.	D10/5
5,926,442	A	*	7/1999	Sirhan et al.	368/73

5,995,455	A	*	11/1999	Kutosky	368/73
D422,510	S	*	4/2000	Holland	D10/15
6,795,377	B2		9/2004	Gorden		
6,998,961	B2		2/2006	Stihler		
D525,880	S		8/2006	Okamura		
D533,081	S	*	12/2006	Kitchings	D10/2
7,336,565	B2	*	2/2008	Rohrbacker et al.	368/63
7,463,556	B2		12/2008	Hocherman		
2005/0169110	A1		8/2005	Mazzilli et al.		
2005/0190654	A1	*	9/2005	Patel	368/73
2006/0280036	A1		12/2006	Hegarty		
2007/0159306	A1		7/2007	Smith et al.		
2007/0211575	A1		9/2007	Rosen		
2009/0073813	A1		3/2009	Stephens		

* cited by examiner

Primary Examiner — Lucy Lieberman

(74) *Attorney, Agent, or Firm* — Kyle Fletcher

(57) **CLAIM**

The ornamental design for an alarm clock with comical female voice settings, as shown.

DESCRIPTION

FIG. 1 is a front view of the alarm clock with comical female voice settings.

FIG. 2 is a rear view of the claimed design.

FIG. 3 is a left side view of the claimed design.

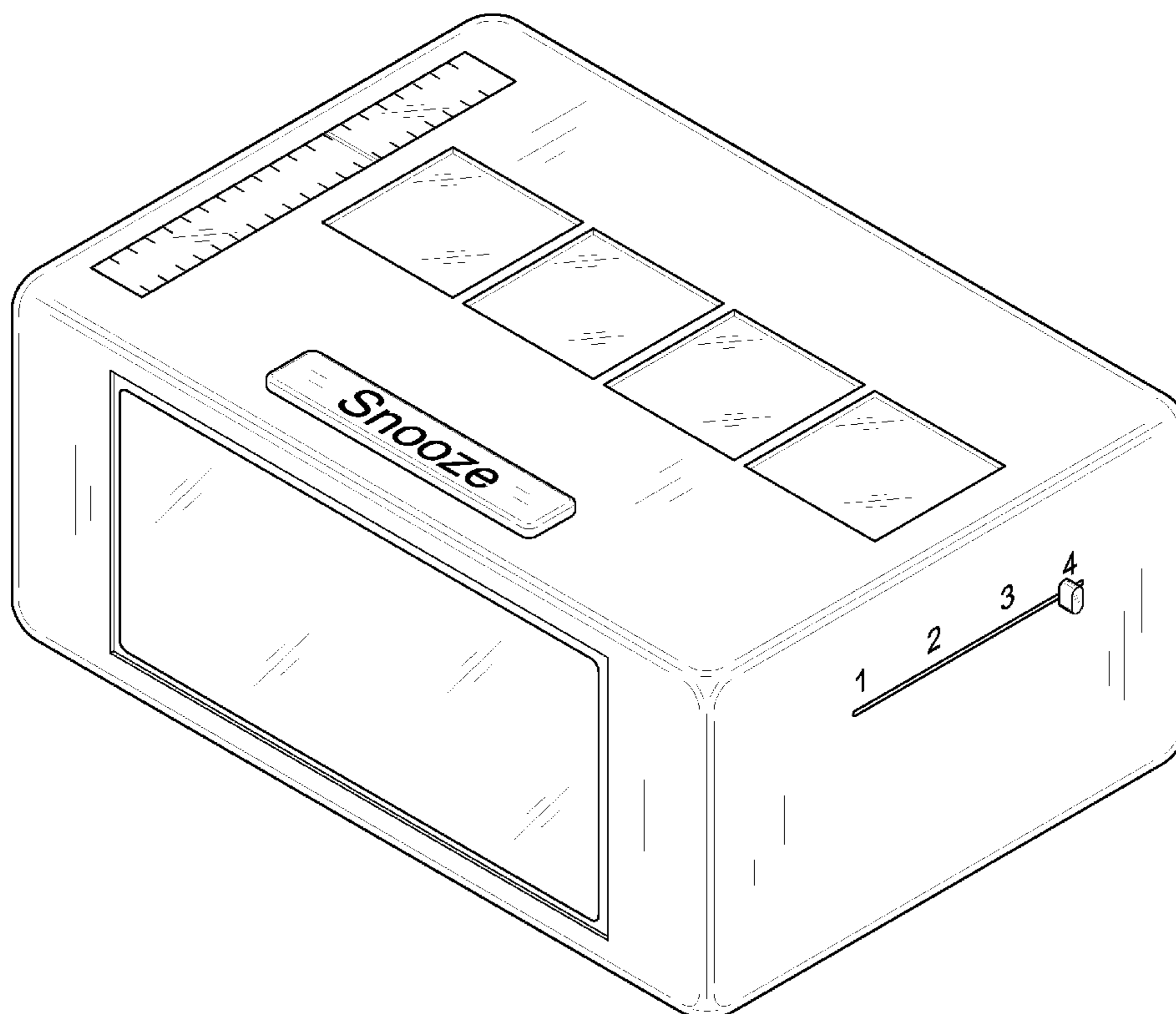
FIG. 4 is a right side view of the claimed design.

FIG. 5 is a top view of the claimed design.

FIG. 6 is a bottom view of the claimed design; and,

FIG. 7 is a perspective view of the claimed design.

1 Claim, 5 Drawing Sheets



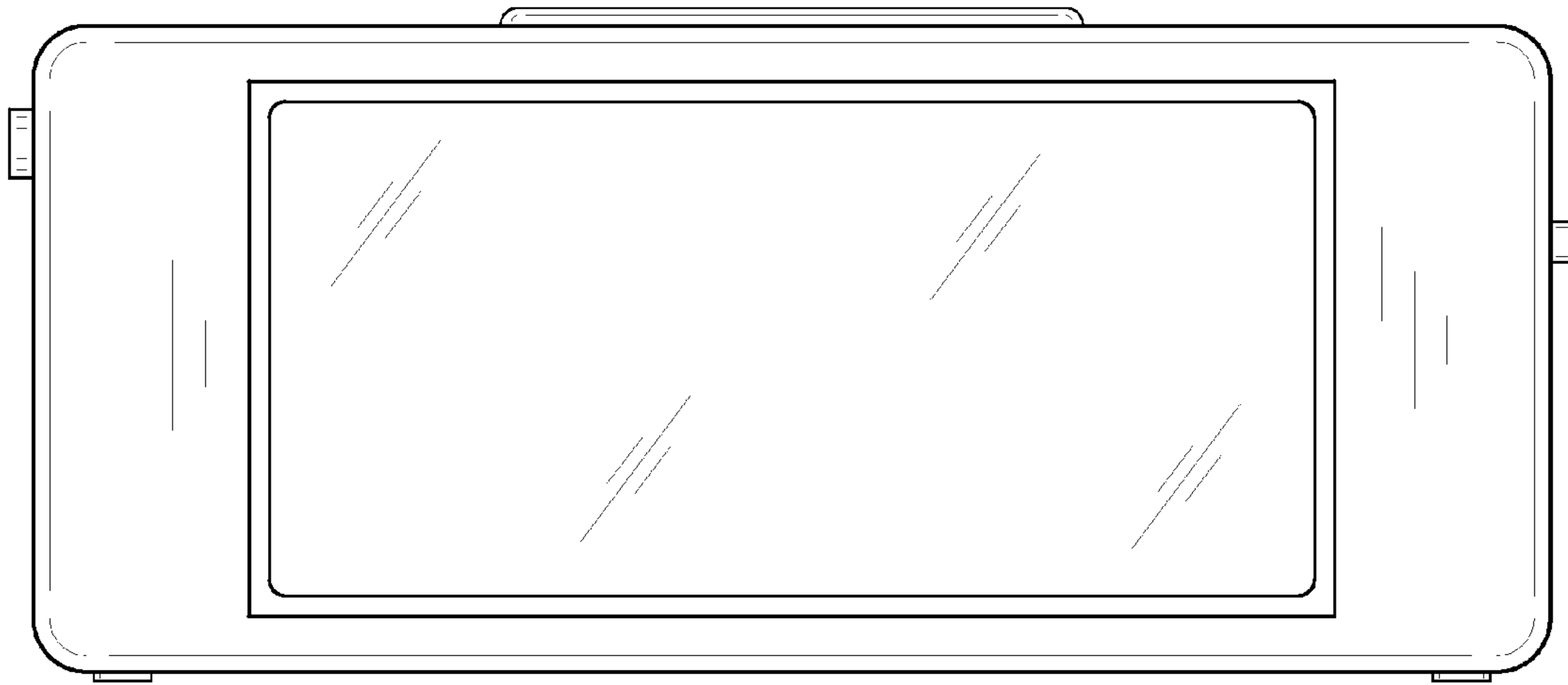


FIG. 1

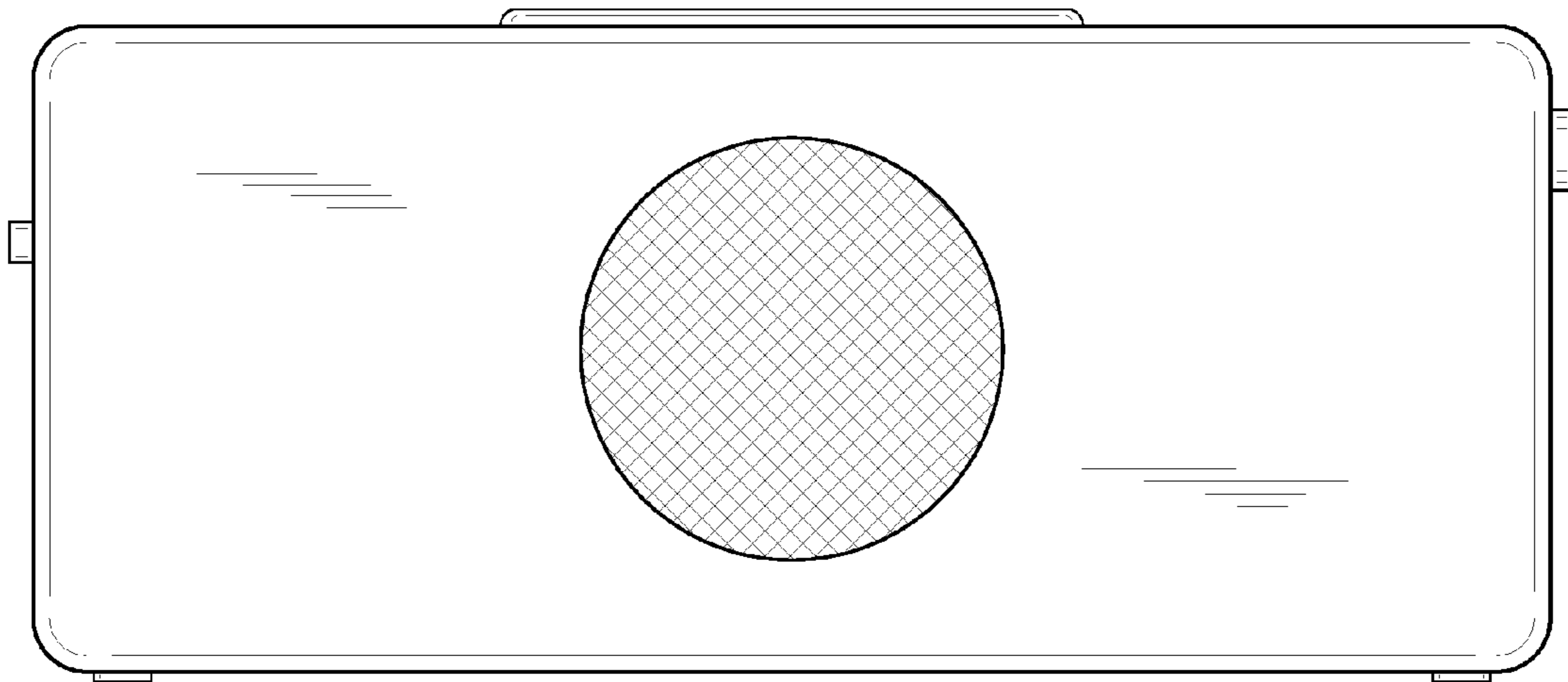


FIG. 2

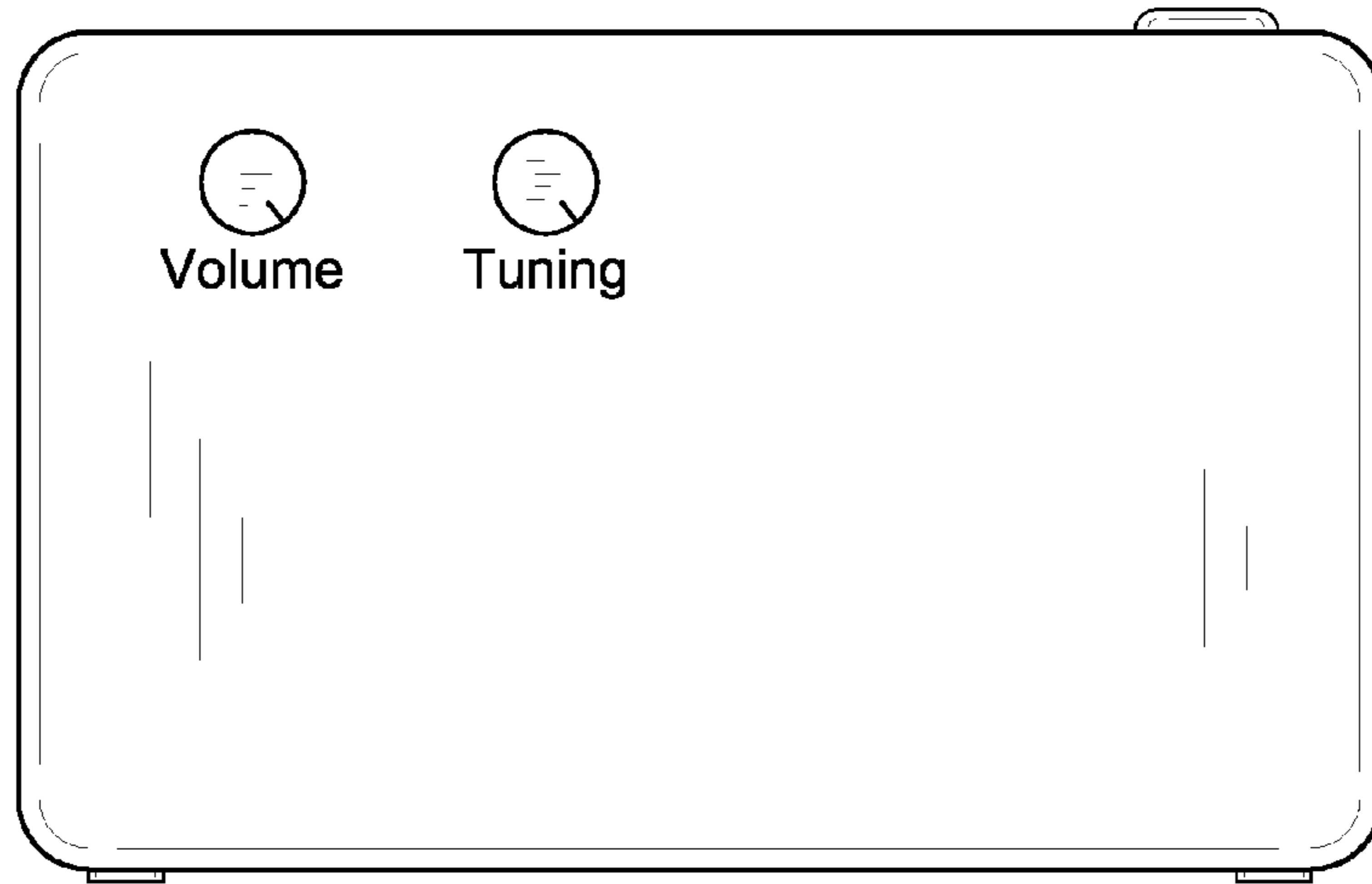


FIG. 3

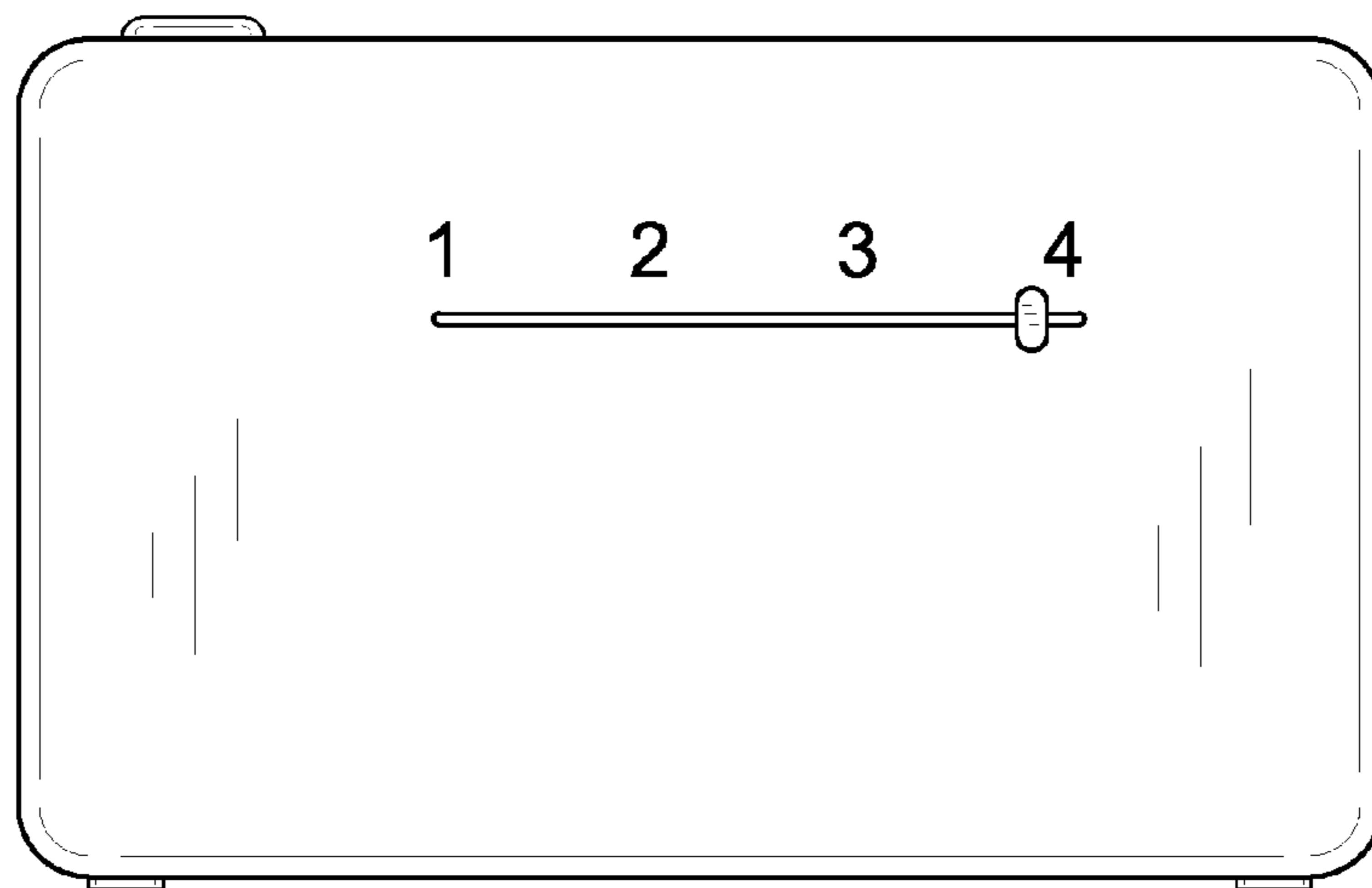


FIG. 4

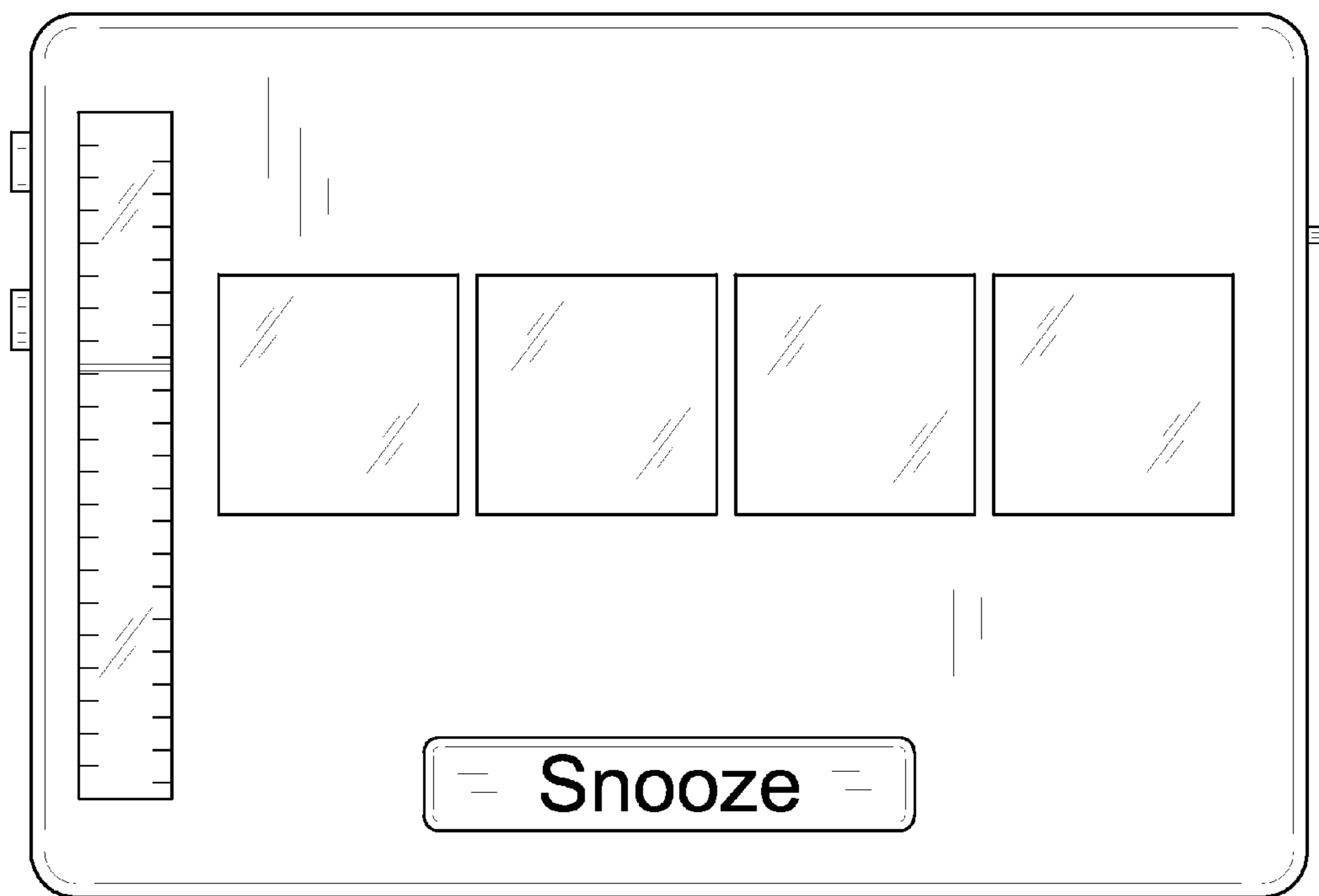


FIG. 5

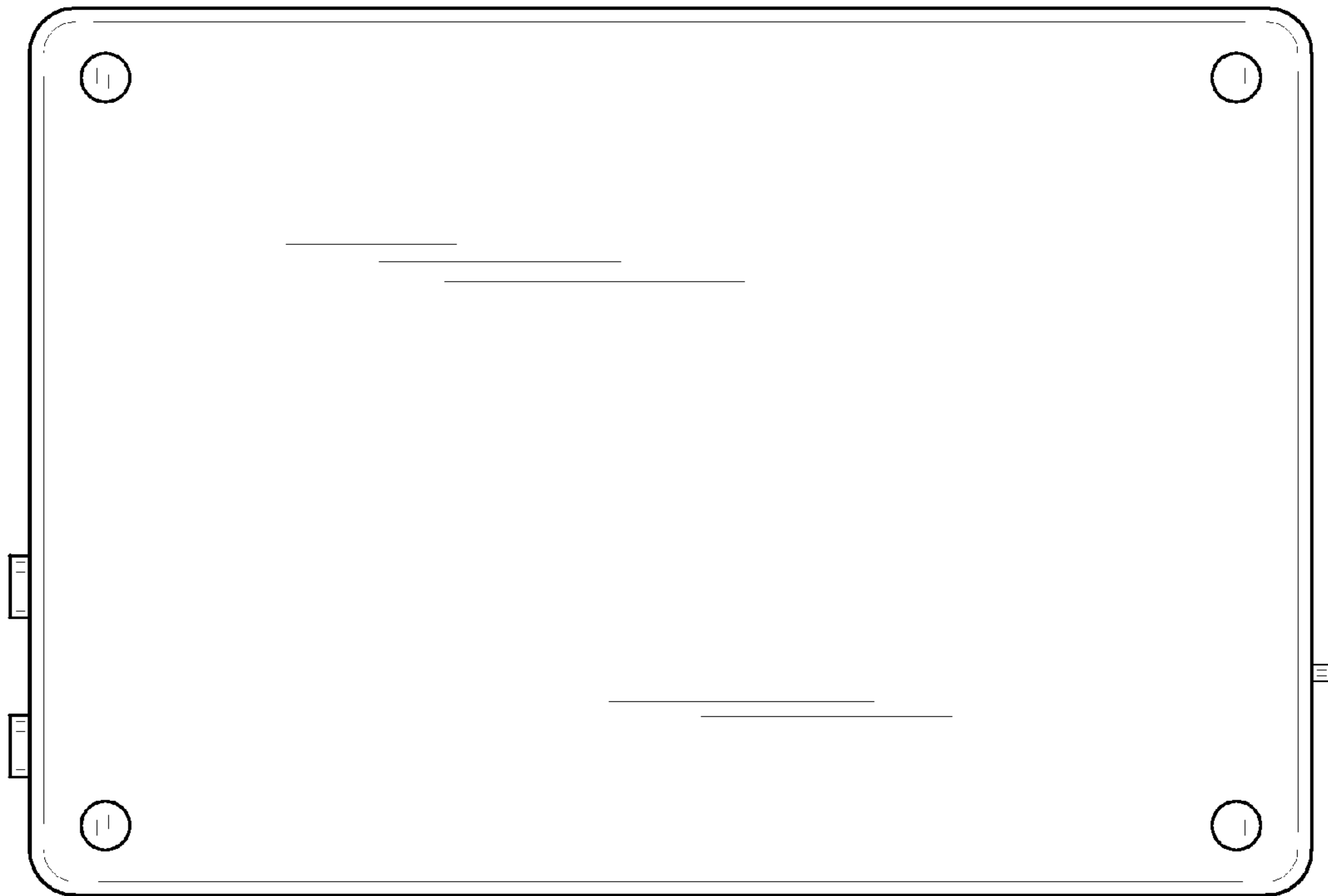


FIG. 6

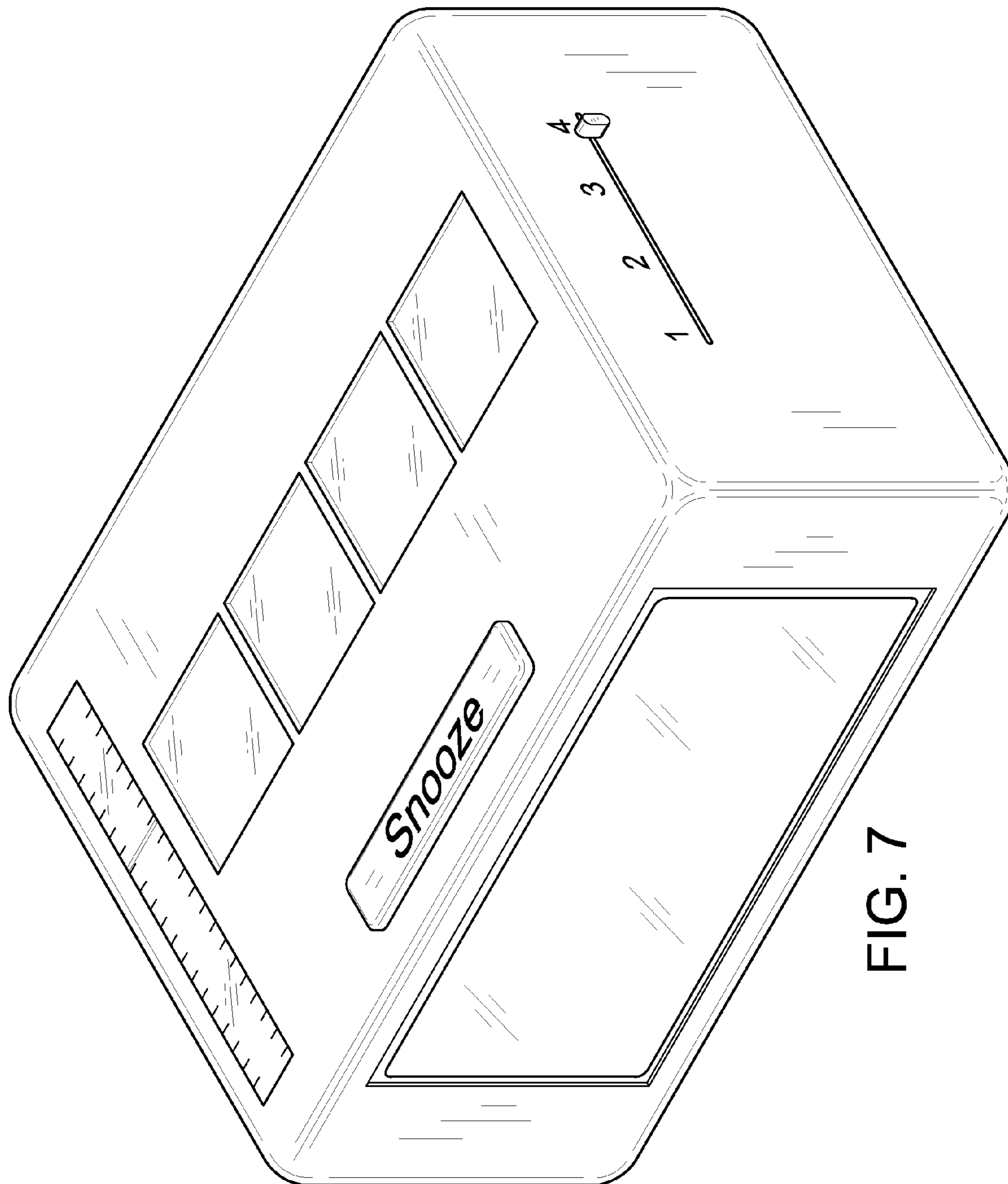


FIG. 7