



US00D659551S

(12) **United States Design Patent**  
**Ramirez et al.**

(10) **Patent No.:** **US D659,551 S**  
(45) **Date of Patent:** **\*\* May 15, 2012**

(54) **EGG CARTON LID WITH WINDOWS**

(75) Inventors: **Richard L. Ramirez**, Lawrenceville,  
GA (US); **Mark A. Bergeron**, Monroe,  
GA (US)

(73) Assignee: **Tekni-Plex, Inc.**, King of Prussia, PA  
(US)

(\*\*) Term: **14 Years**

(21) Appl. No.: **29/406,555**

(22) Filed: **Nov. 16, 2011**

(51) **LOC (9) Cl.** ..... **09-03**

(52) **U.S. Cl.** ..... **D9/757; D9/762**

(58) **Field of Classification Search** ..... D9/762,  
D9/757, 737, 761, 420, 425, 426, 456; D7/611;  
206/521, 521.1, 521.3, 521.4, 521.6, 521.8,  
206/521.9, 564; 220/508; 229/406  
See application file for complete search history.

(56) **References Cited**

U.S. PATENT DOCUMENTS

2,013,606	A *	9/1935	Hale	.....	206/521.5
2,591,471	A *	4/1952	Schwertfeger	.....	206/521.1
2,634,039	A *	4/1953	Schwertfeger	.....	206/521.1
3,191,844	A *	6/1965	Comstock	.....	206/521.1
3,310,217	A *	3/1967	Trimble	.....	206/521.5
3,469,763	A *	9/1969	Voorhis	.....	206/521.1
3,580,480	A *	5/1971	French	.....	206/521.1
D243,507	S *	3/1977	Petersen	.....	D9/757
D244,258	S *	5/1977	Petersen	.....	D9/757
D244,582	S *	6/1977	Petersen	.....	D9/757
D262,355	S *	12/1981	Oakley	.....	D9/757
D279,649	S *	7/1985	DeMay	.....	D9/715
D282,147	S *	1/1986	Mangla	.....	D9/757
D291,533	S *	8/1987	Mangla	.....	D9/757
D307,387	S *	4/1990	Payne et al.	.....	D9/757
D385,780	S *	11/1997	Krupa et al.	.....	D9/757
D409,483	S *	5/1999	Herbruck	.....	D9/762
D412,277	S *	7/1999	Herbruck	.....	D9/762
D412,841	S *	8/1999	Herbruck	.....	D9/762
D416,482	S *	11/1999	McCann	.....	D9/757
D418,405	S *	1/2000	Herbruck	.....	D9/762

D453,901	S *	2/2002	Shepperson	.....	D9/748
D466,802	S *	12/2002	Davkovski	.....	D9/757
D469,690	S *	2/2003	Pau	.....	D9/761
D484,796	S *	1/2004	Buckley	.....	D9/757
D491,463	S *	6/2004	Zelina et al.	.....	D9/757
D506,932	S *	7/2005	Ramirez	.....	D9/737
D514,954	S *	2/2006	Kim	.....	D9/757
D520,377	S *	5/2006	Beese et al.	.....	D9/762

(Continued)

*Primary Examiner* — Mark Goodwin

(74) *Attorney, Agent, or Firm* — Rissman Hendricks &  
Oliverio, LLP

(57) **CLAIM**

The ornamental design for an egg carton lid with windows, as shown and described.

**DESCRIPTION**

FIG. 1 is a top plan view of one embodiment of an egg carton lid with windows according to our new design;

FIG. 2 is a perspective view thereof;

FIG. 3 is a right side elevational view thereof, the left-side view being a mirror image of FIG. 3;

FIG. 4 is a bottom view thereof;

FIG. 5 is a front elevational view thereof; and

FIG. 6 is a rear elevational view thereof. The broken line showing of the locking area and the base area in FIGS. 1-6 is for illustrative purposes only and forms no part of the claimed design.

FIG. 7 is a top plan view of another embodiment of an egg carton with lid windows according to our new design;

FIG. 8 is a perspective view thereof;

FIG. 9 is a right side elevational view thereof, the left-side view being a mirror image of FIG. 9;

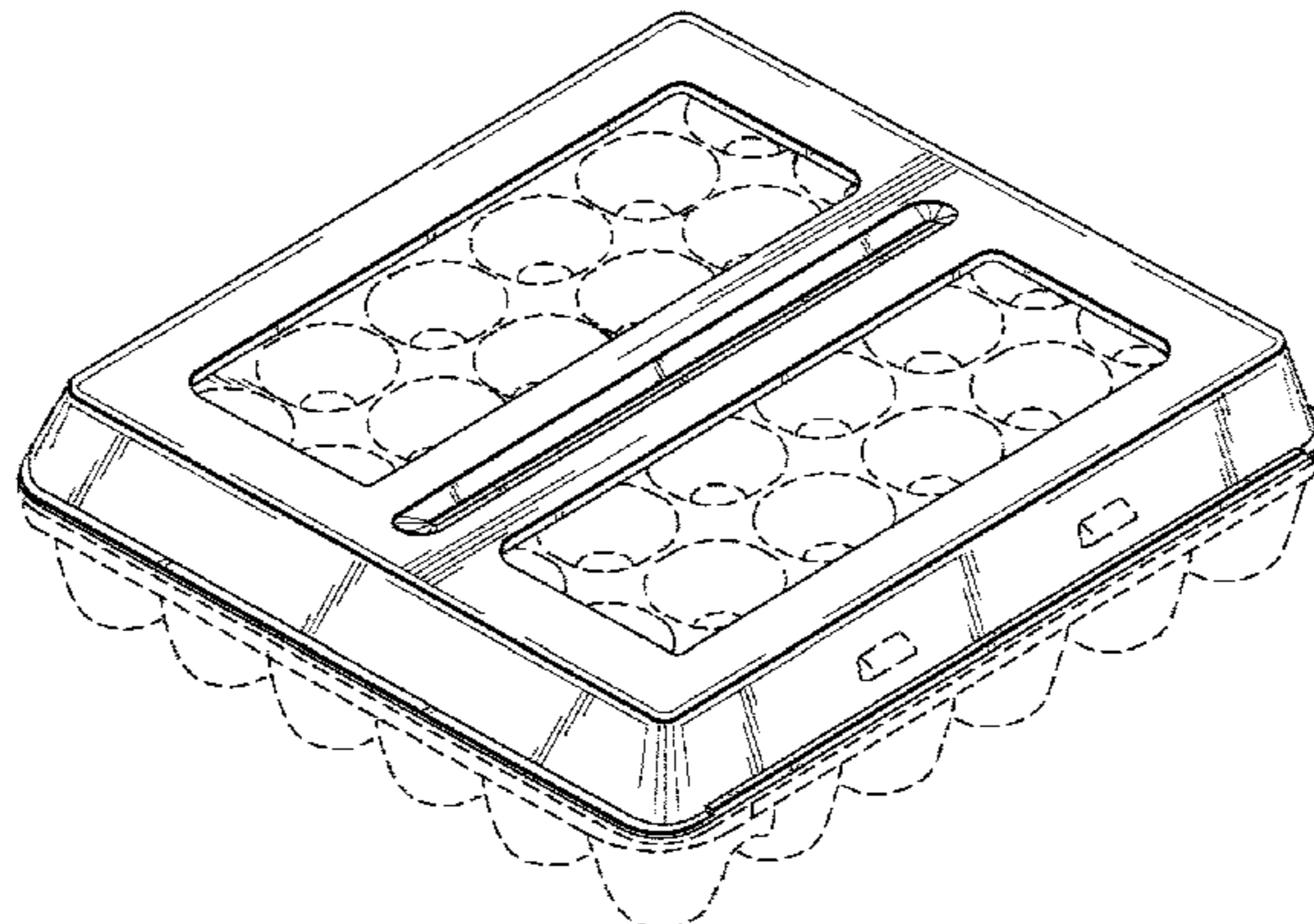
FIG. 10 is a bottom view thereof;

FIG. 11 is a front elevational view thereof; and,

FIG. 12 is a rear elevational view thereof.

The broken line showing of the locking area in FIGS. 7, 8, 11 and 12 is for illustrative purposes only and forms no part of the claimed design.

**1 Claim, 4 Drawing Sheets**



# US D659,551 S

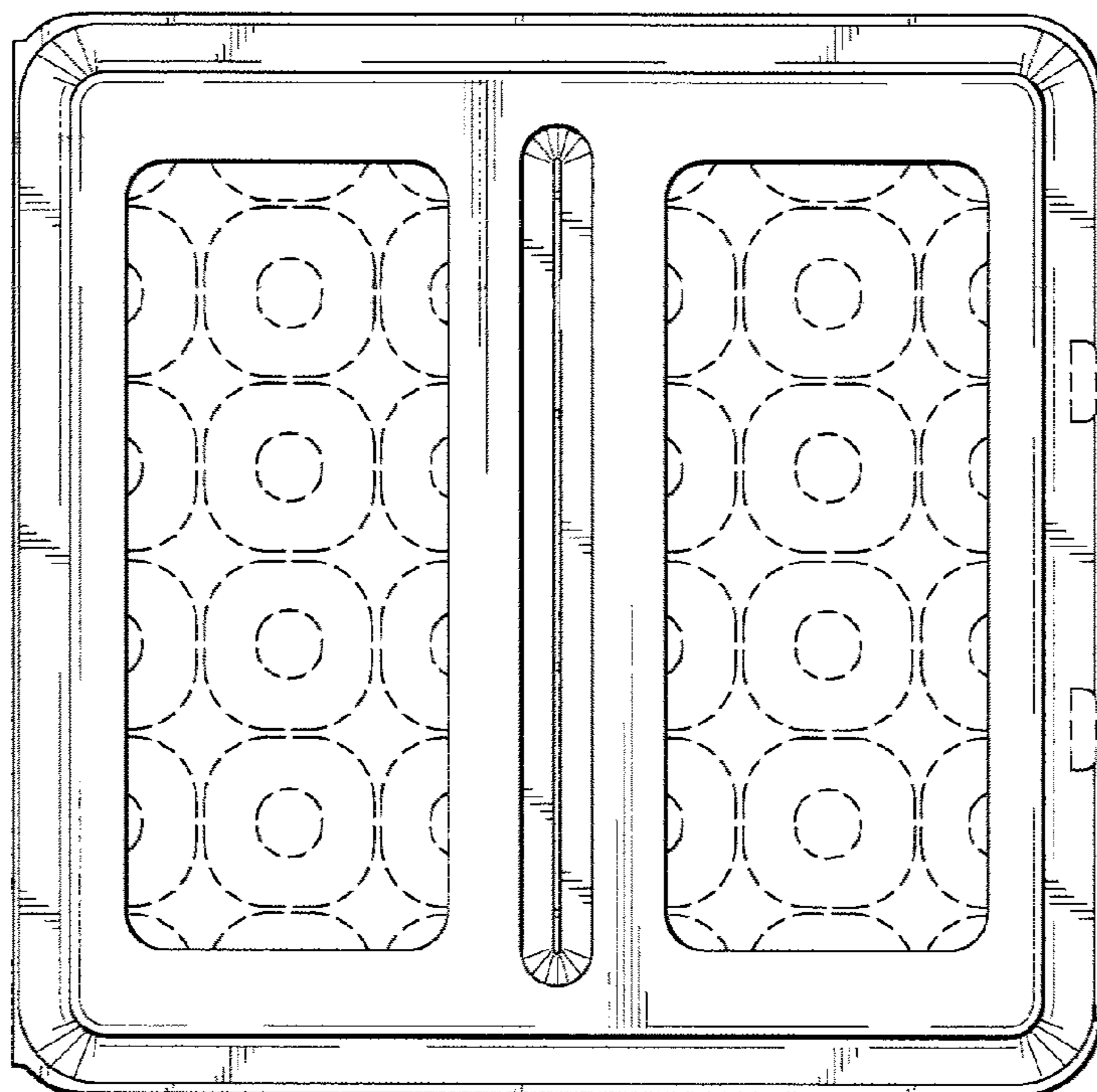
Page 2

---

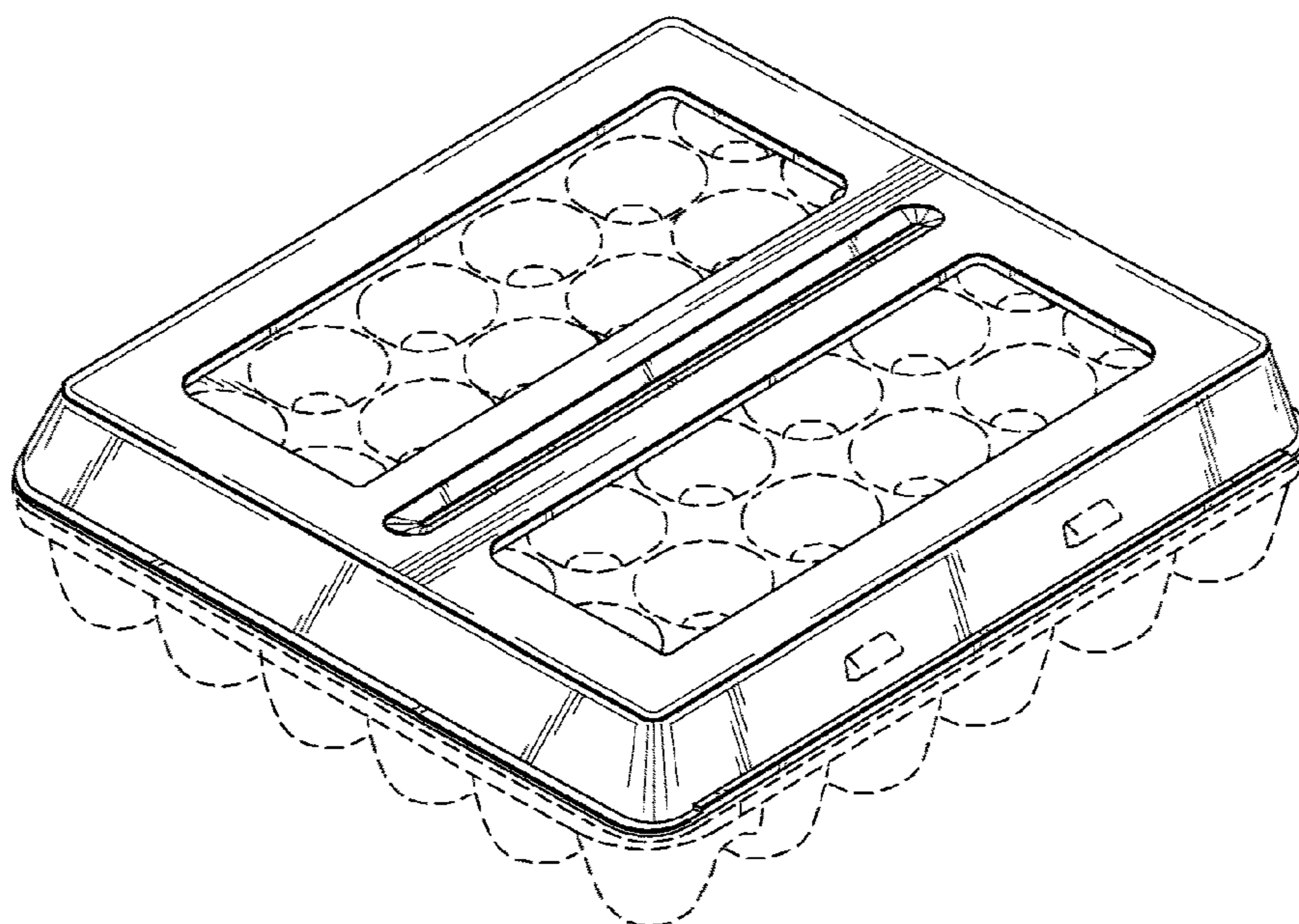
## U.S. PATENT DOCUMENTS

D587,109 S *	2/2009	Lyon et al. ....	D9/761	D606,421 S *	12/2009	Krummenacher .....	D9/757
D592,076 S *	5/2009	Sipe et al. ....	D9/756	7,686,181 B2 *	3/2010	St-Onge .....	220/508
D592,077 S *	5/2009	Sipe et al. ....	D9/756	D626,014 S *	10/2010	Fosse et al. ....	D9/757

\* cited by examiner



**FIG. 1**



**FIG. 2**



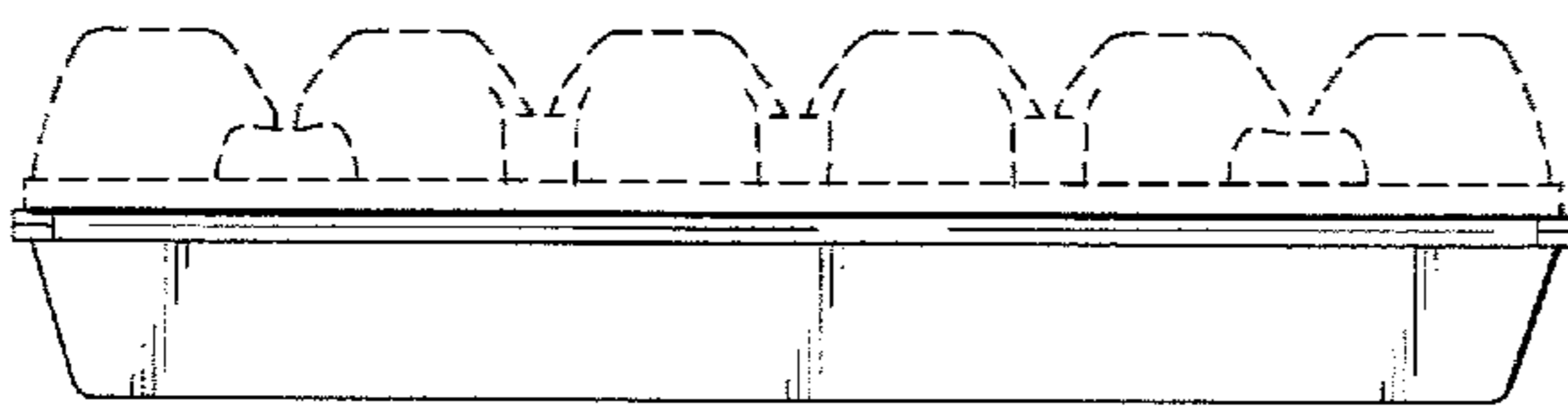


FIG. 3

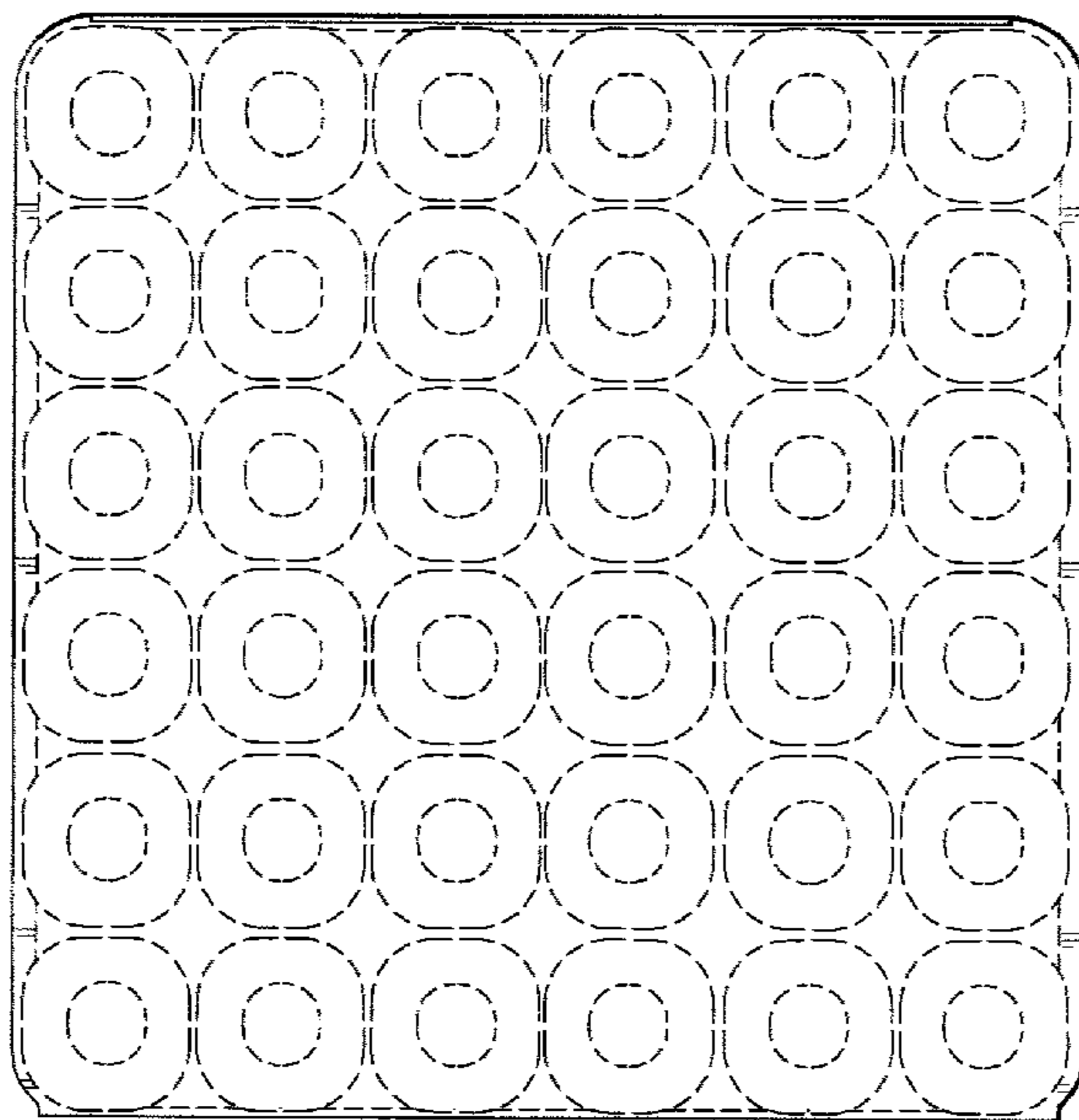


FIG. 4

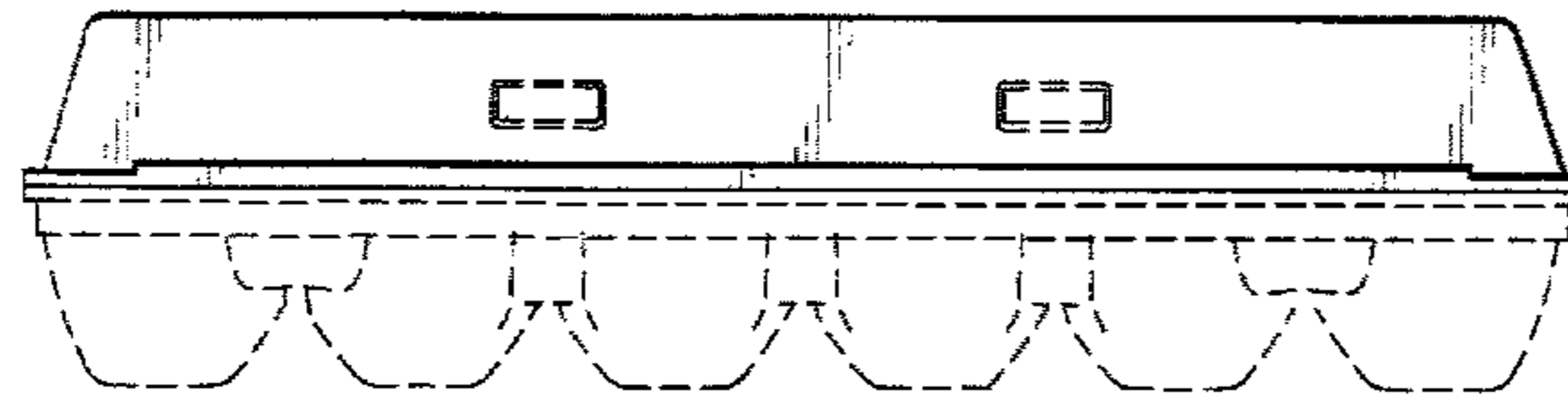


FIG. 5

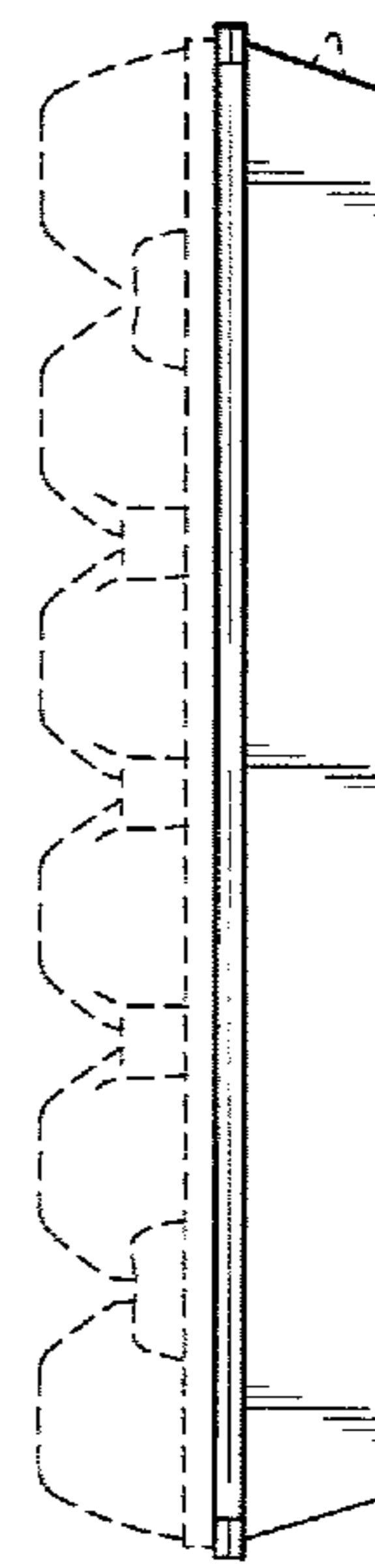
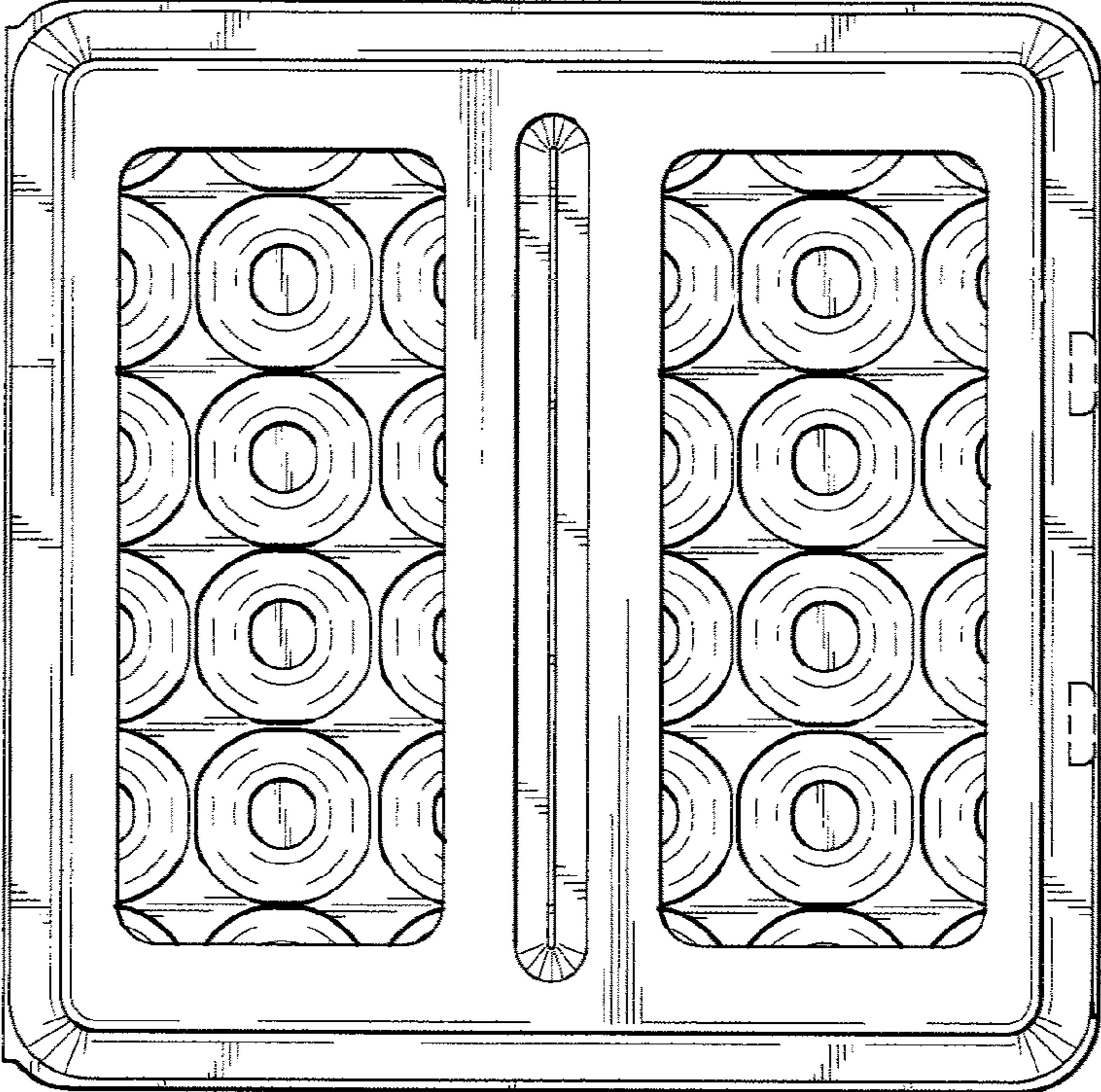
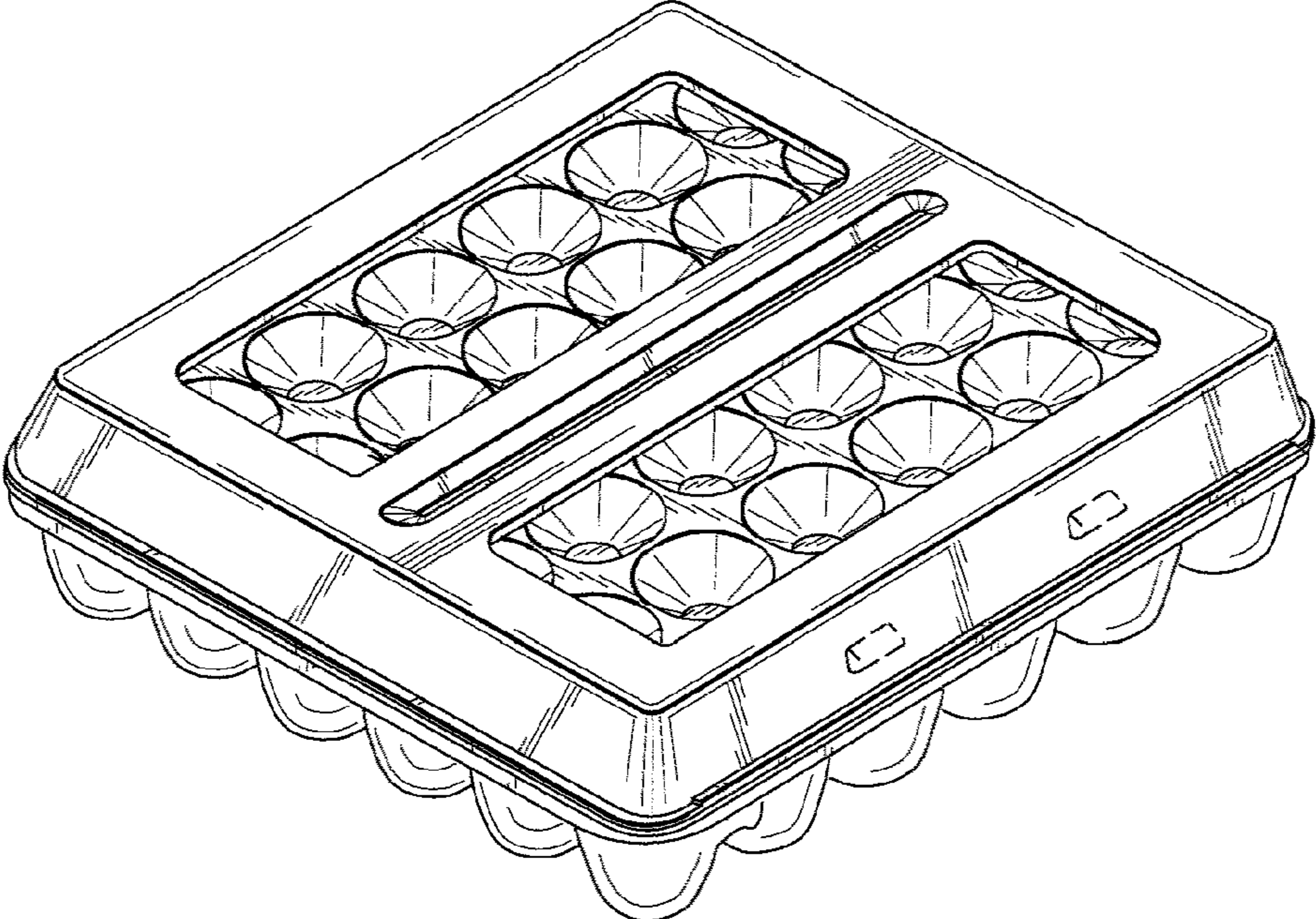


FIG. 6



**FIG. 7**



**FIG. 8**



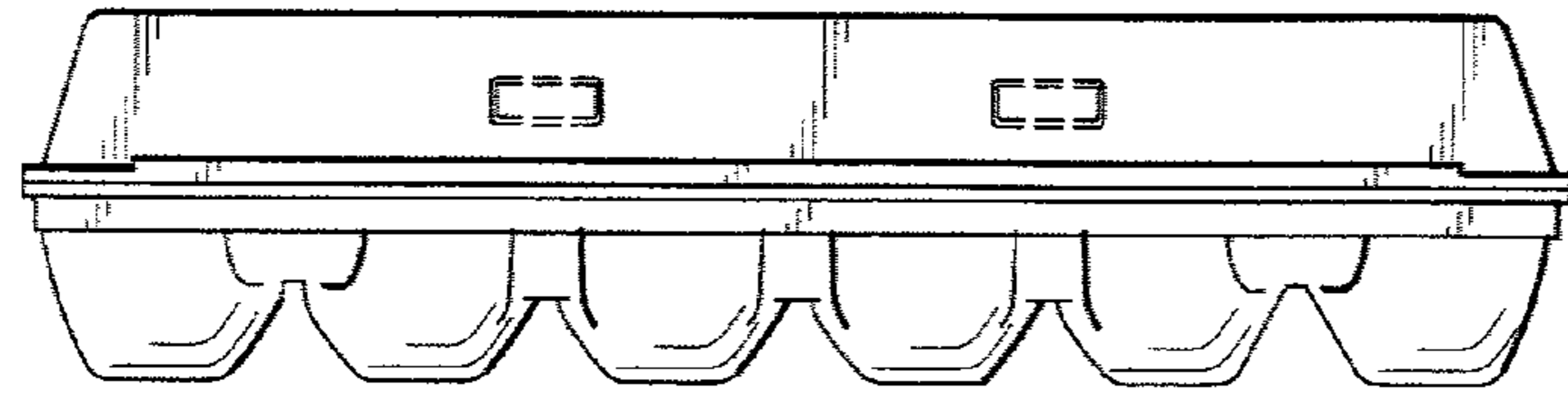


FIG. 11

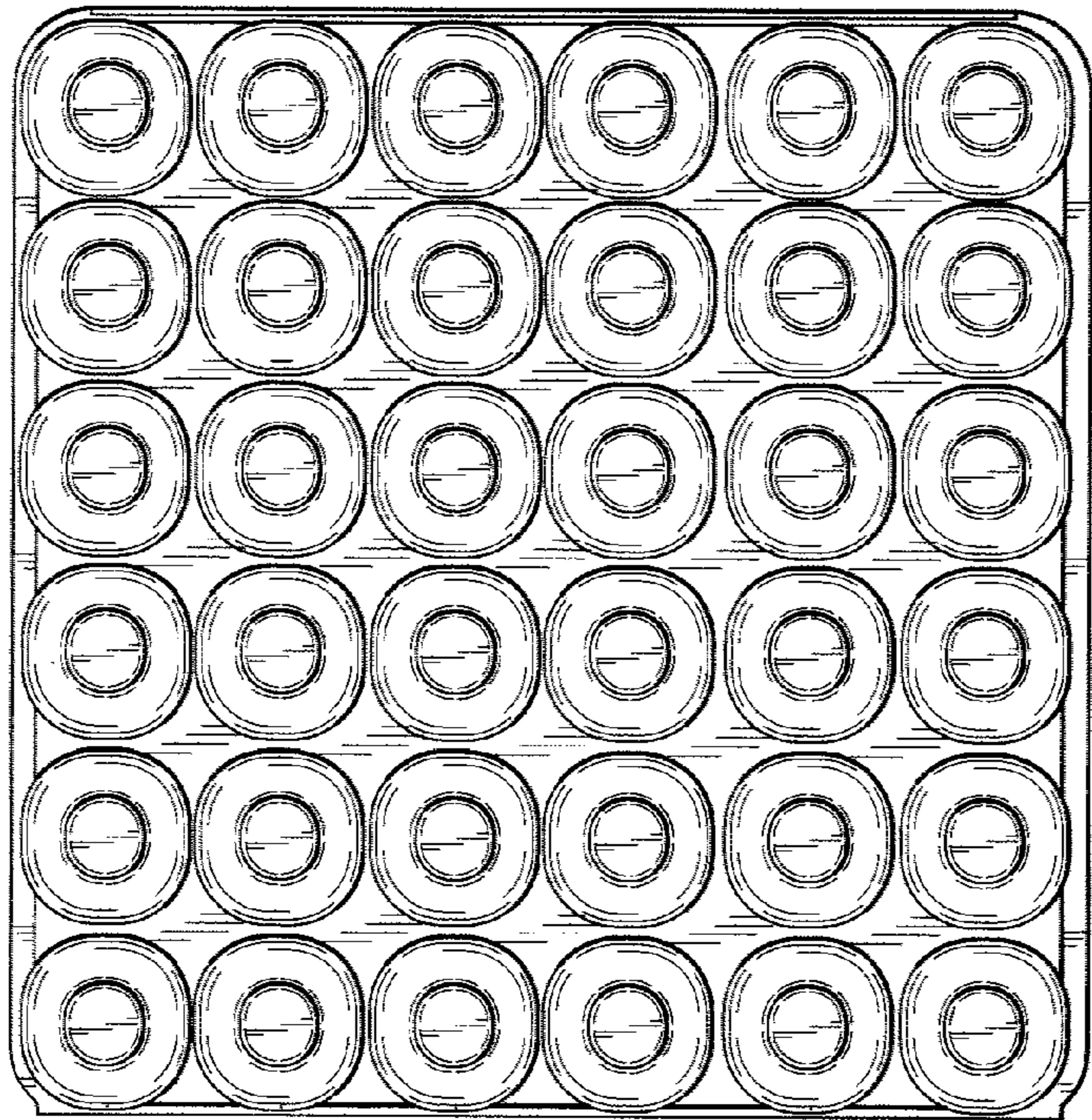


FIG. 10

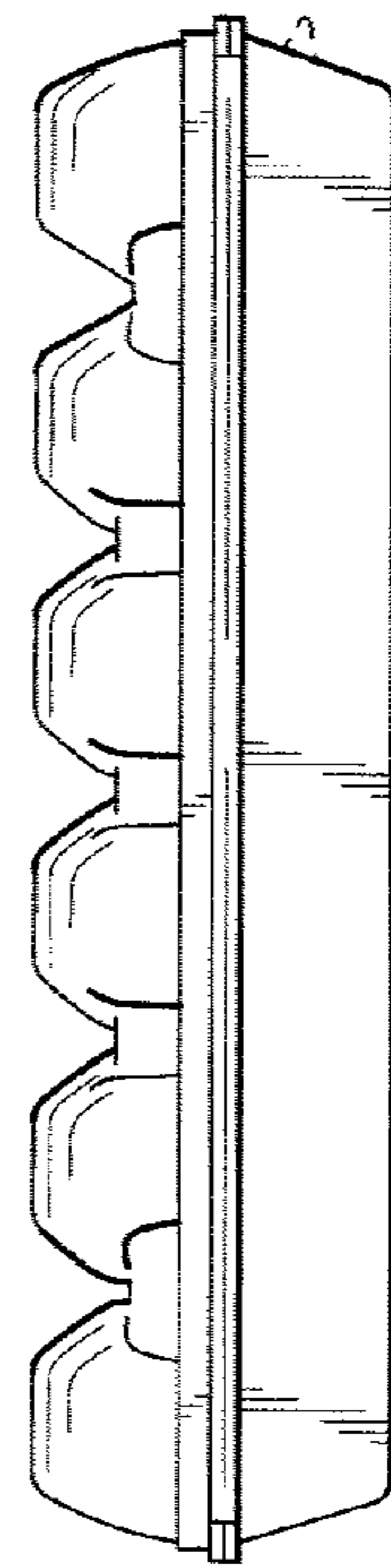


FIG. 12

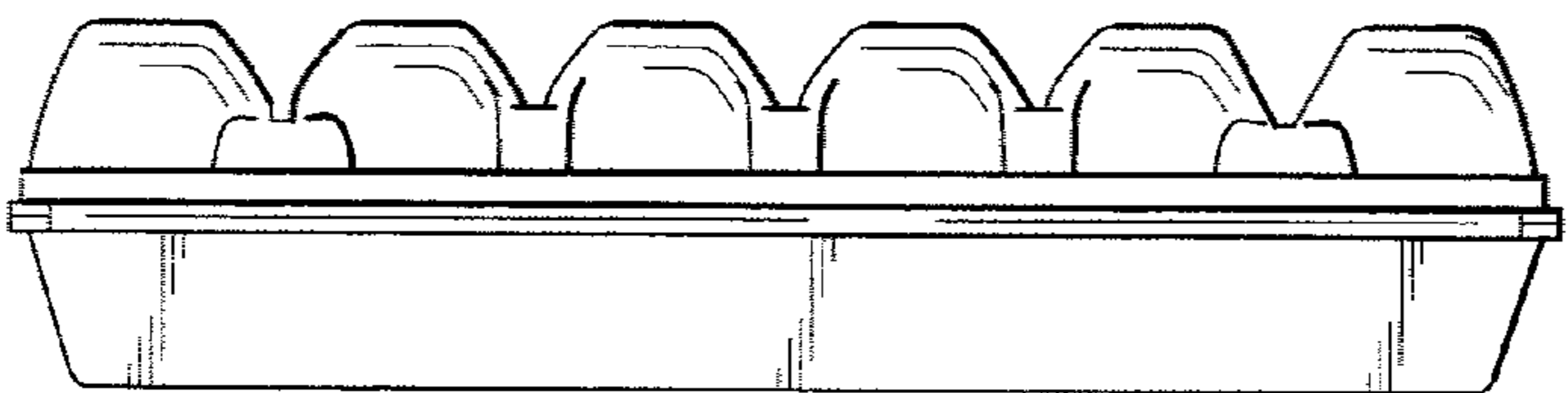


FIG. 9