



US00D659536S

(12) **United States Design Patent**
Bedford et al.

(10) **Patent No.:** **US D659,536 S**

(45) **Date of Patent:** **** May 15, 2012**

(54) **SPRAY NOZZLE**

(75) Inventors: **David Bedford**, Hull (GB); **Martin Butler**, Hull (GB)

(73) Assignee: **Reckitt Benckiser (UK) Limited**, Slough, Berkshire (GB)

(**) Term: **14 Years**

(21) Appl. No.: **29/404,849**

(22) Filed: **Oct. 26, 2011**

(30) **Foreign Application Priority Data**

Jul. 28, 2004 (GB) 0416801

(51) **LOC (9) Cl.** **09-07**

(52) **U.S. Cl.** **D9/448**

(58) **Field of Classification Search** D9/690,
D9/685, 488, 435; 239/1, 394; 222/387,
222/402.1; 299/1

See application file for complete search history.

(56) **References Cited**

U.S. PATENT DOCUMENTS

3,377,028 A * 4/1968 Bruggeman 239/394
6,446,842 B2 * 9/2002 Stern et al. 222/402.1

6,659,312 B1 * 12/2003 Stern et al. 222/402.1
D625,603 S * 10/2010 Butler et al. D9/448
7,845,523 B1 * 12/2010 Greer et al. 222/402.1
D641,252 S * 7/2011 Butler et al. D9/690
D648,216 S * 11/2011 Christianson D9/448
2010/0193599 A1 * 8/2010 Butler et al. 239/1

* cited by examiner

Primary Examiner — Susan Bennett Hattan

(74) *Attorney, Agent, or Firm* — Norris McLaughlin & Marcus PA

(57) **CLAIM**

The ornamental design for a spray nozzle, as shown and described.

DESCRIPTION

FIG. 1 is a perspective view of the front and left side of the spray nozzle;

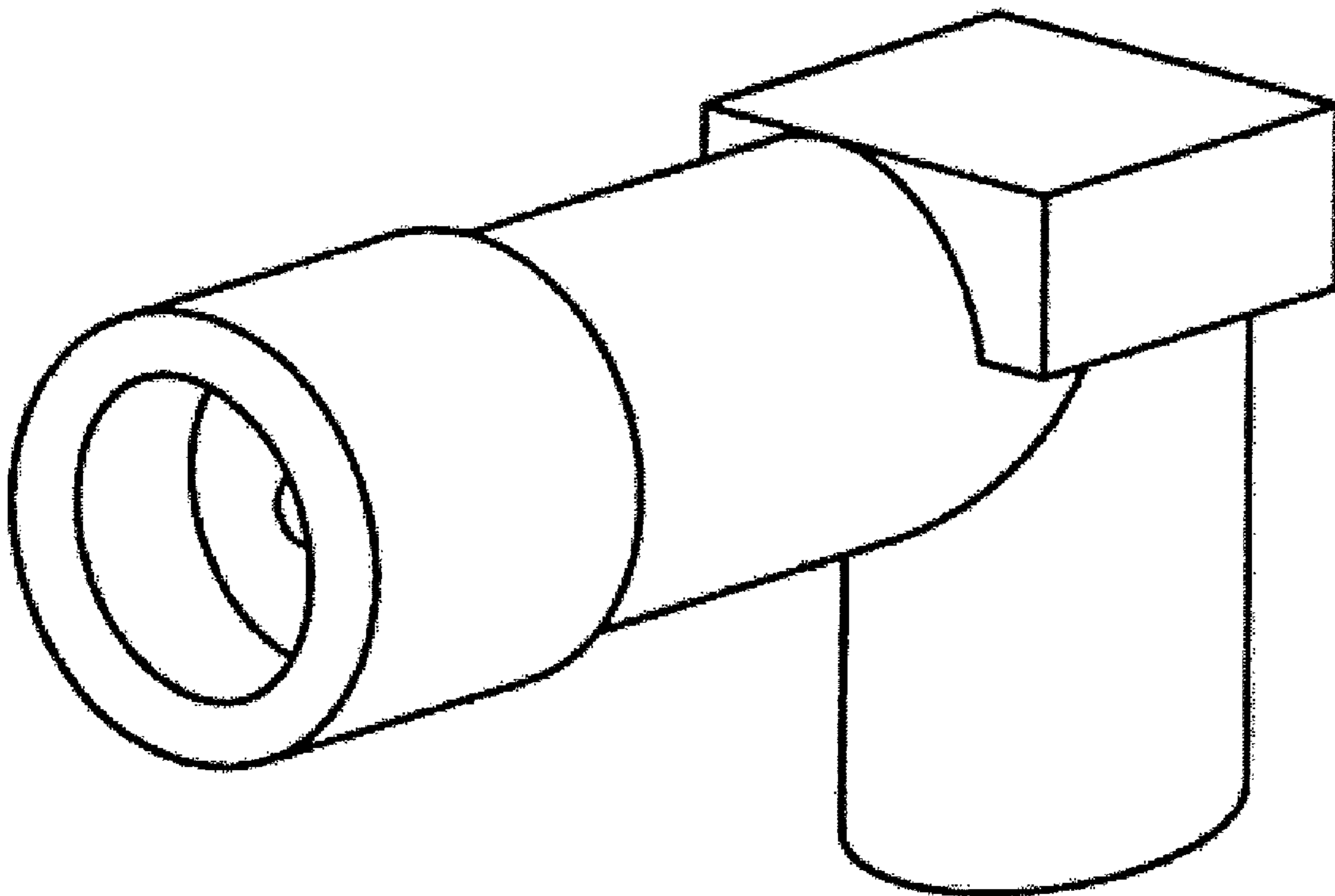
FIG. 2 is a bottom plan view of the spray nozzle;

FIG. 3 is an elevation view of the left side of the spray nozzle; and,

FIG. 4 is an elevation view of the front of the spray nozzle.

The broken lines in the drawings depict environmental subject matter only and form no part of the claimed design.

1 Claim, 4 Drawing Sheets



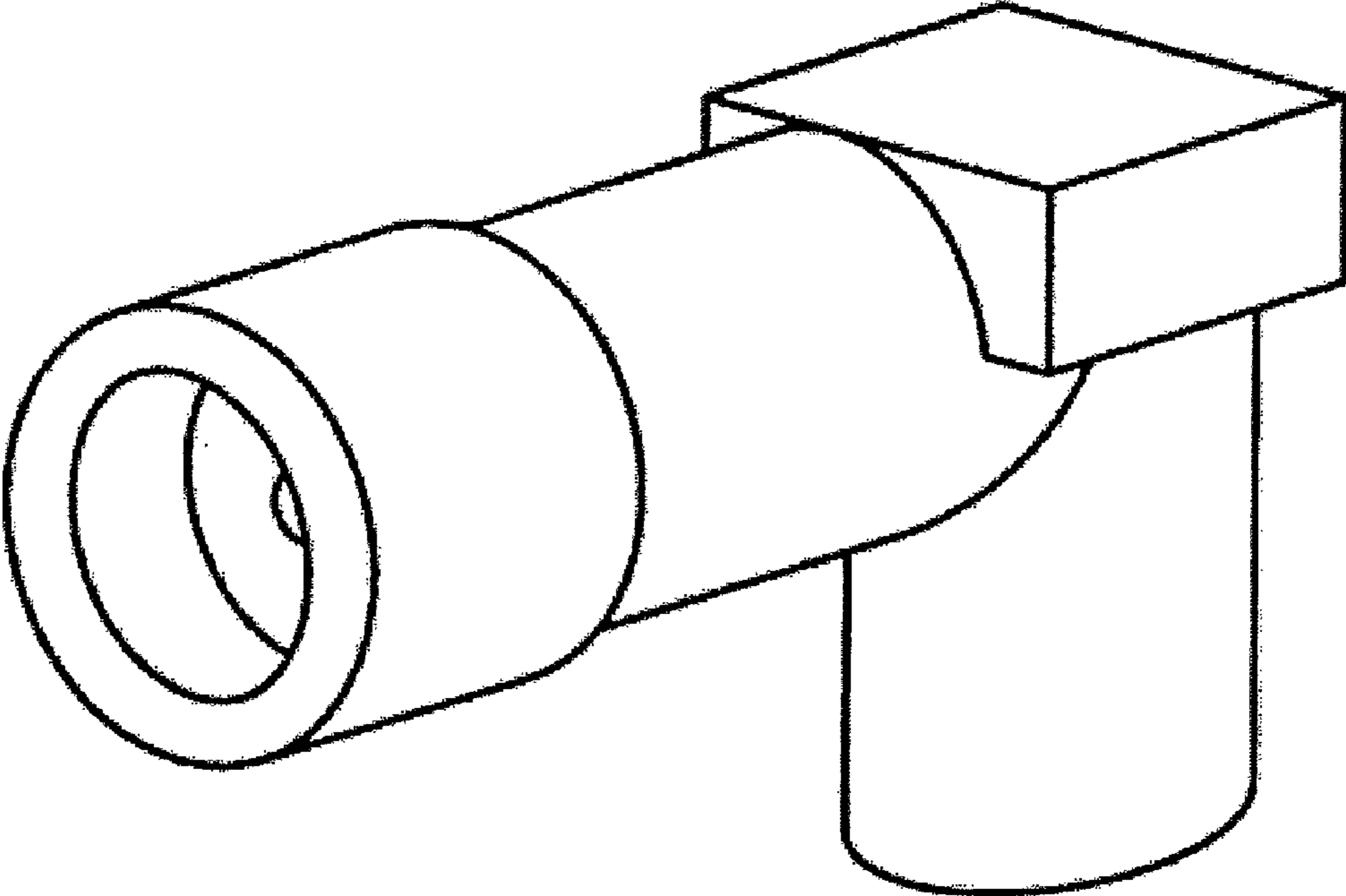


Figure 1

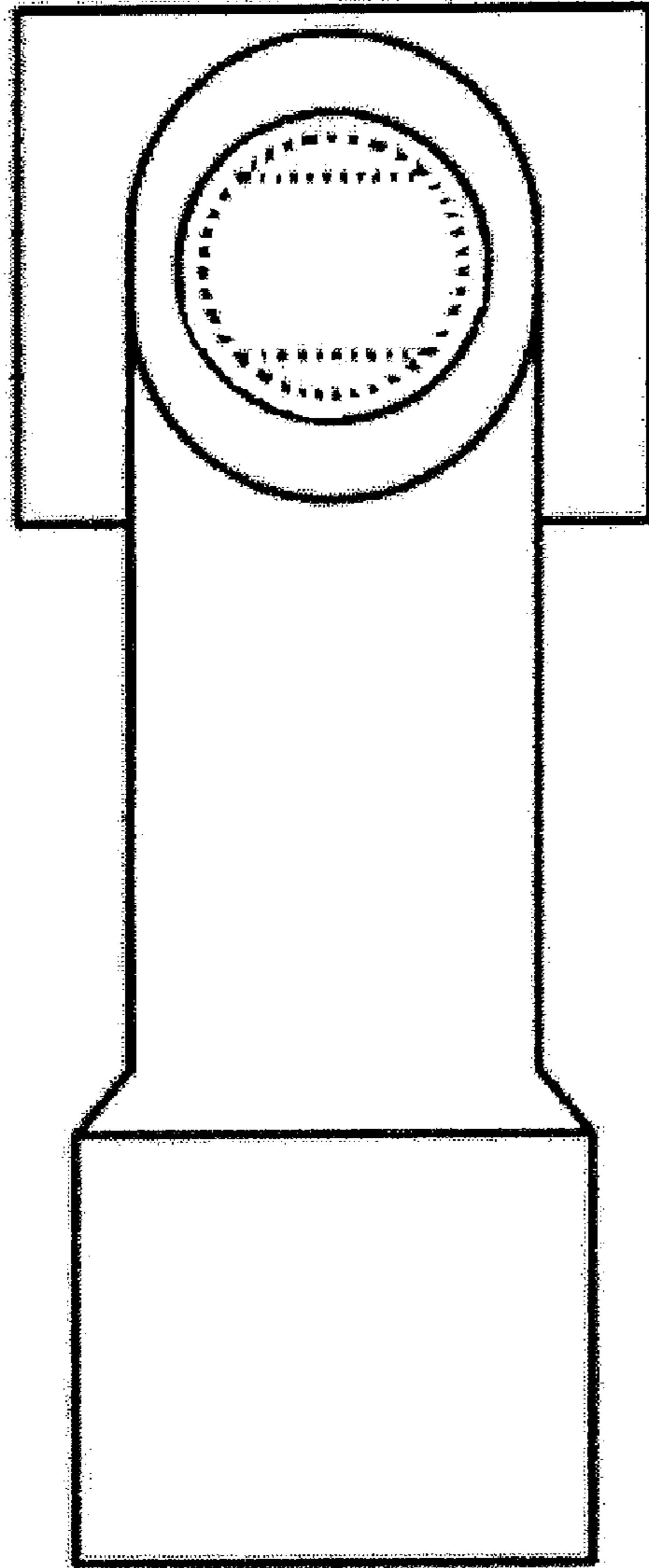


Figure 2

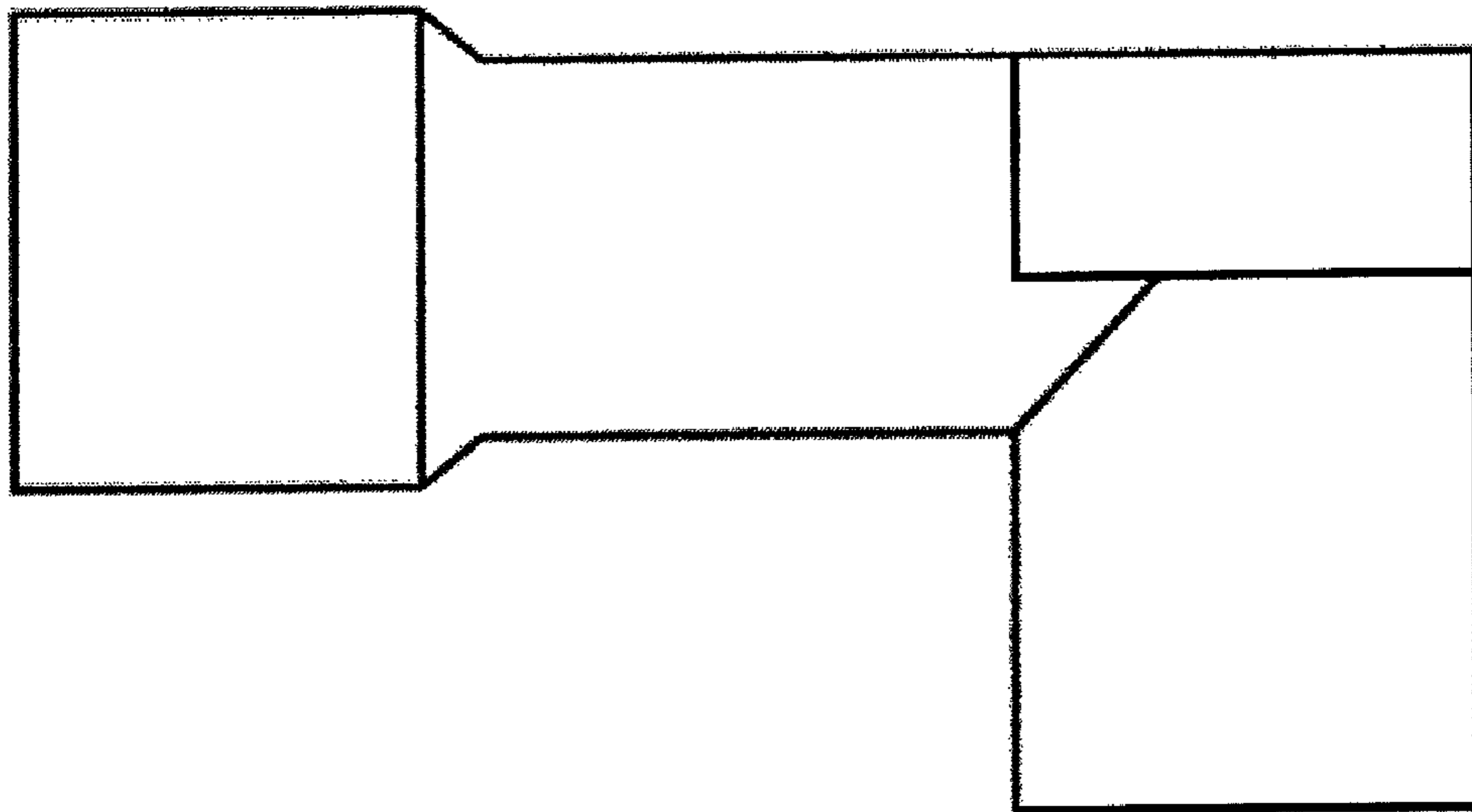


Figure 3

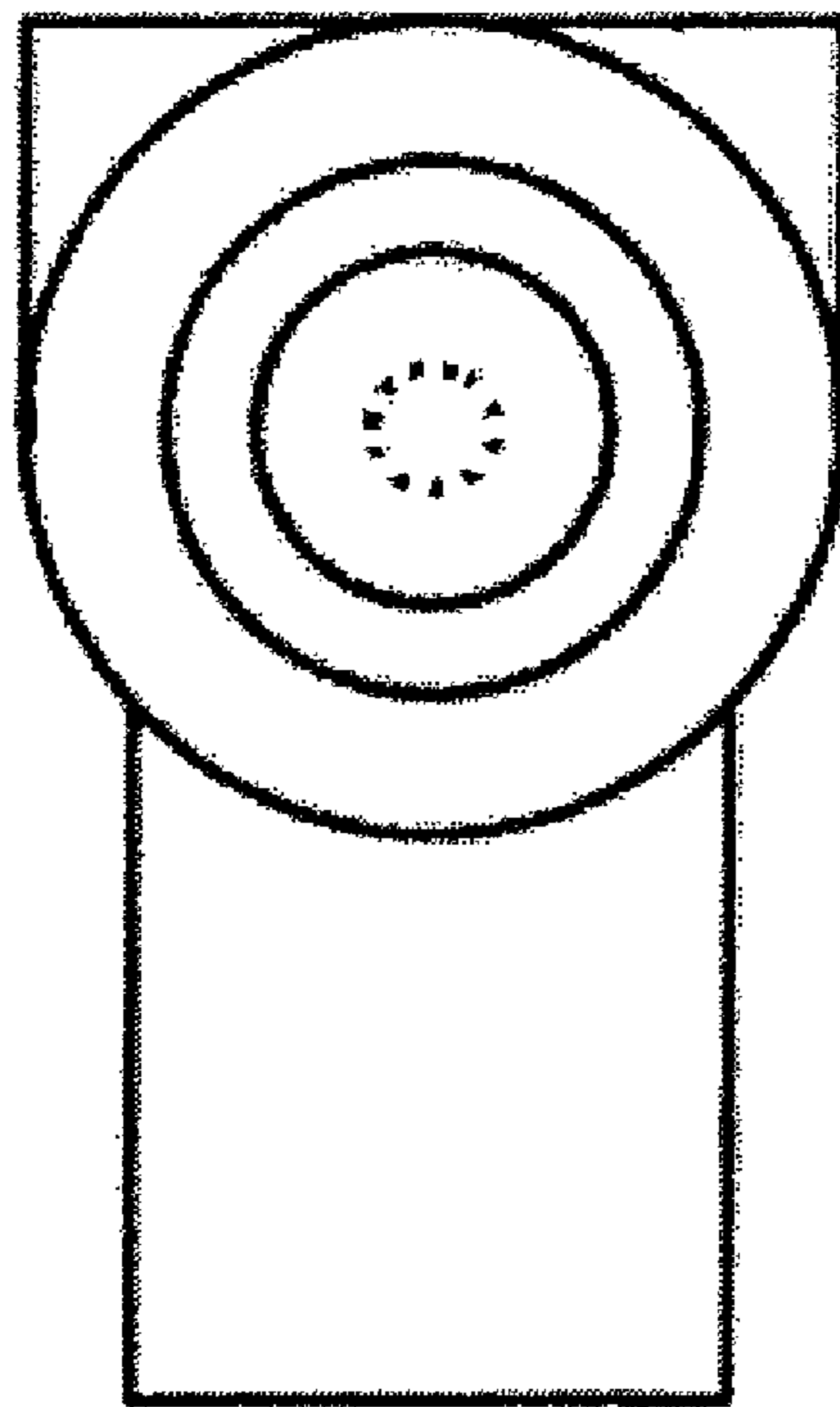


Figure 4