



US00D659533S

(12) **United States Design Patent**
Taylor et al.

(10) **Patent No.:** **US D659,533 S**
(45) **Date of Patent:** **** May 15, 2012**

- (54) **DUAL ARM CAN ACTUATOR**
- (75) Inventors: **Curtis P. Taylor**, Chagrin Falls, OH (US); **Jonathon Erbacher**, Minneapolis, MN (US)
- (73) Assignee: **Gebauer Company**, Cleveland, OH (US)
- (**) Term: **14 Years**
- (21) Appl. No.: **29/369,988**
- (22) Filed: **Sep. 16, 2010**
- (51) **LOC (9) Cl.** **09-07**
- (52) **U.S. Cl.** **D9/448; D9/443**
- (58) **Field of Classification Search** D9/692, D9/685, 682, 669, 667, 631, 451, 450, 448, D9/434, 432, 430, 414; D23/226, 225; 239/526, 239/492, 333, 112; 222/402.15, 402.13, 222/383.1, 334, 331, 321.8, 182
See application file for complete search history.

6,705,494	B2	3/2004	Thompson et al.
D513,387	S	1/2006	Limbert
D534,077	S	12/2006	Paas et al.
D580,273	S	11/2008	Stinesen et al.
D588,456	S	3/2009	Dejong et al.
D589,795	S	4/2009	Sweeton et al.
7,631,785	B2	12/2009	Paas et al.
2004/0256418	A1	12/2004	Scheindel
2006/0138178	A1	6/2006	Scheindel
2007/0119870	A1*	5/2007	Lasserre et al. 222/321.8
2007/0290006	A1	12/2007	Lott et al.
2011/0079617	A1*	4/2011	Quarles et al. 222/402.15

* cited by examiner

Primary Examiner — Susan Bennett Hattan
(74) *Attorney, Agent, or Firm* — Pearne & Gordon LLP

(57) **CLAIM**
The ornamental design for a dual arm can actuator, as shown and described.

DESCRIPTION

FIG. 1 is a perspective view of a dual arm can actuator showing our new design in the unlocked and closed position; FIG. 2 is a right side elevational view thereof; FIG. 3 is a top plan view thereof; FIG. 4 is a front elevational view thereof; FIG. 5 is a left side elevational view thereof; FIG. 6 is a rear elevational view thereof; and, FIG. 7 is a perspective view of the dual arm can actuator shown in FIG. 1 showing our new design in the locked and closed position.
The dotted-line showing in the drawings illustrates environmental matter and forms no part of the claimed design.

1 Claim, 2 Drawing Sheets

(56) **References Cited**

U.S. PATENT DOCUMENTS

3,318,493	A	5/1967	Belpedio	
4,248,360	A	2/1981	Crump	
D272,081	S *	1/1984	Suhajda et al.	D23/226
4,826,054	A	5/1989	Frutin	
5,027,986	A	7/1991	Heinzel et al.	
5,388,730	A	2/1995	Abbott et al.	
5,875,934	A	3/1999	Miller et al.	
6,006,957	A	12/1999	Kunesh	
6,340,103	B1	1/2002	Scheindel et al.	
6,494,349	B1	12/2002	Thompson et al.	

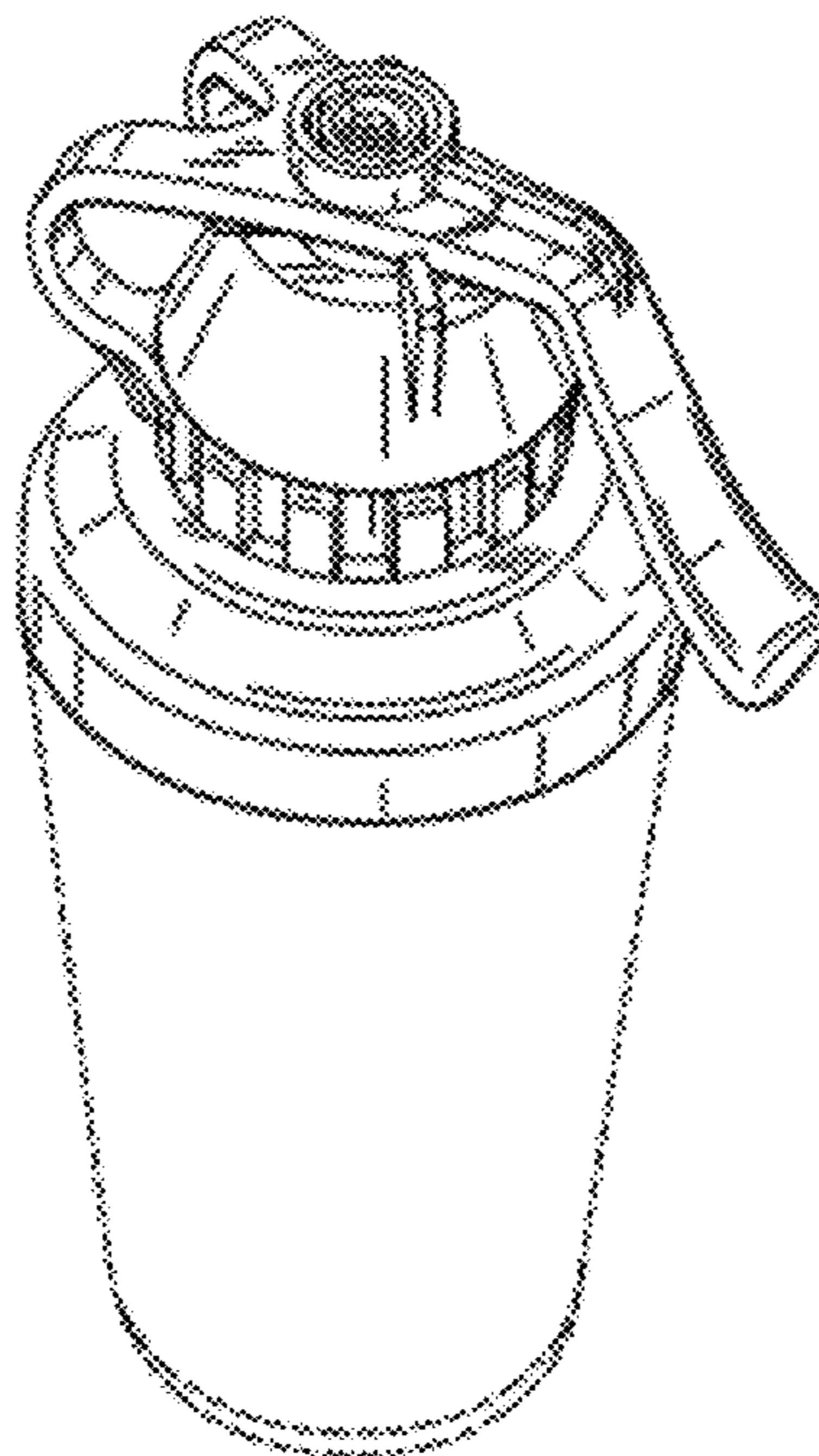


FIG. 1

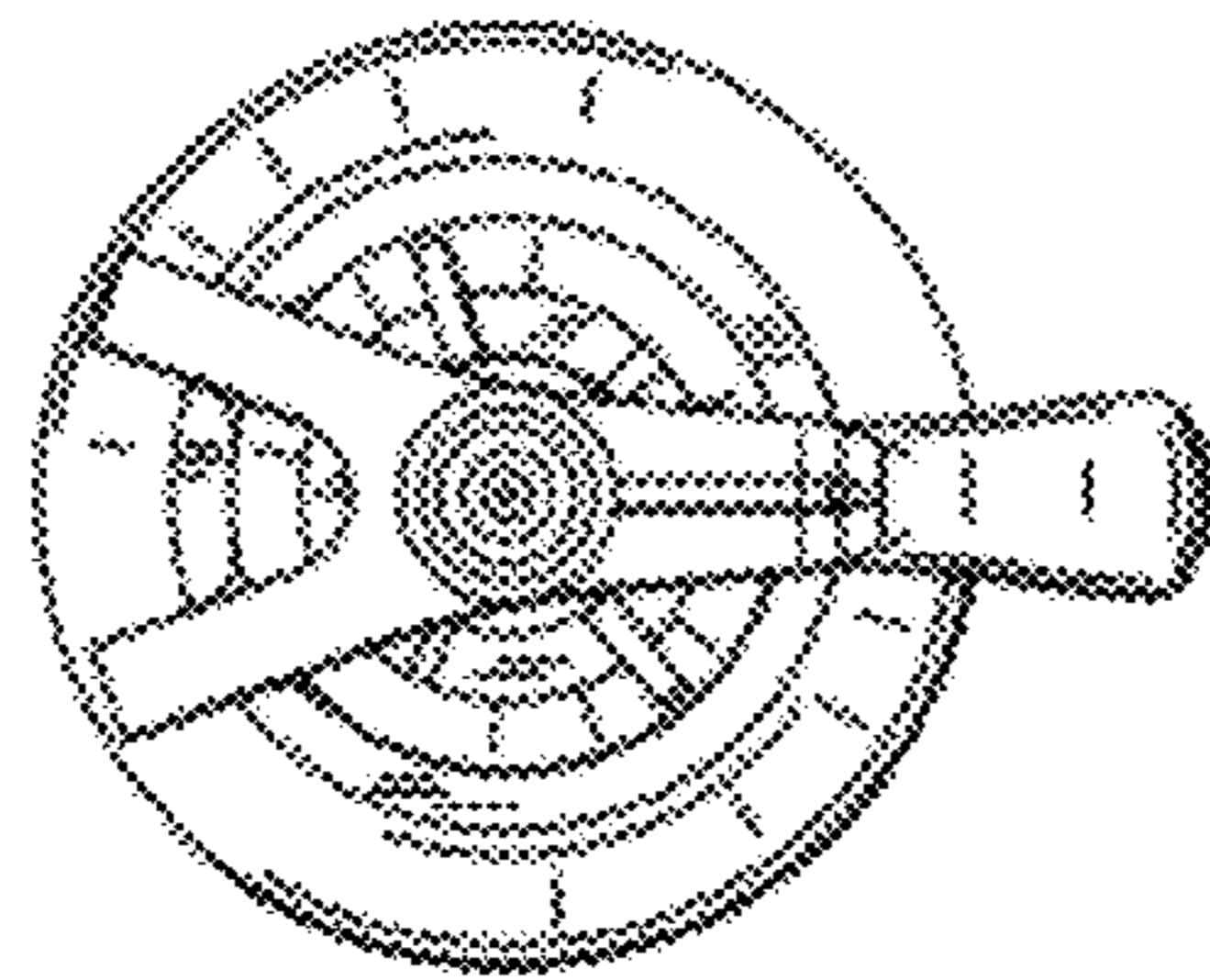
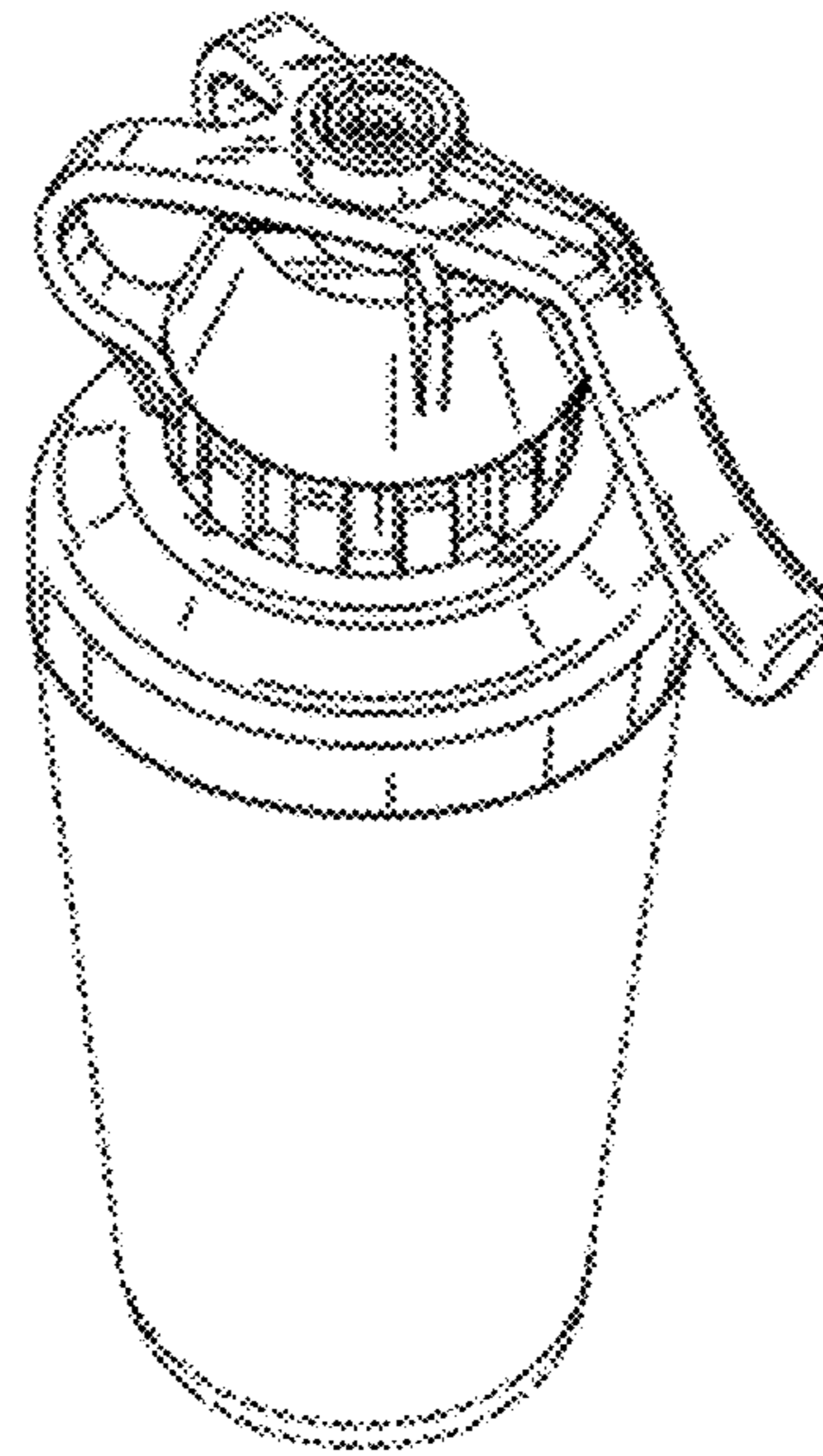


FIG. 3

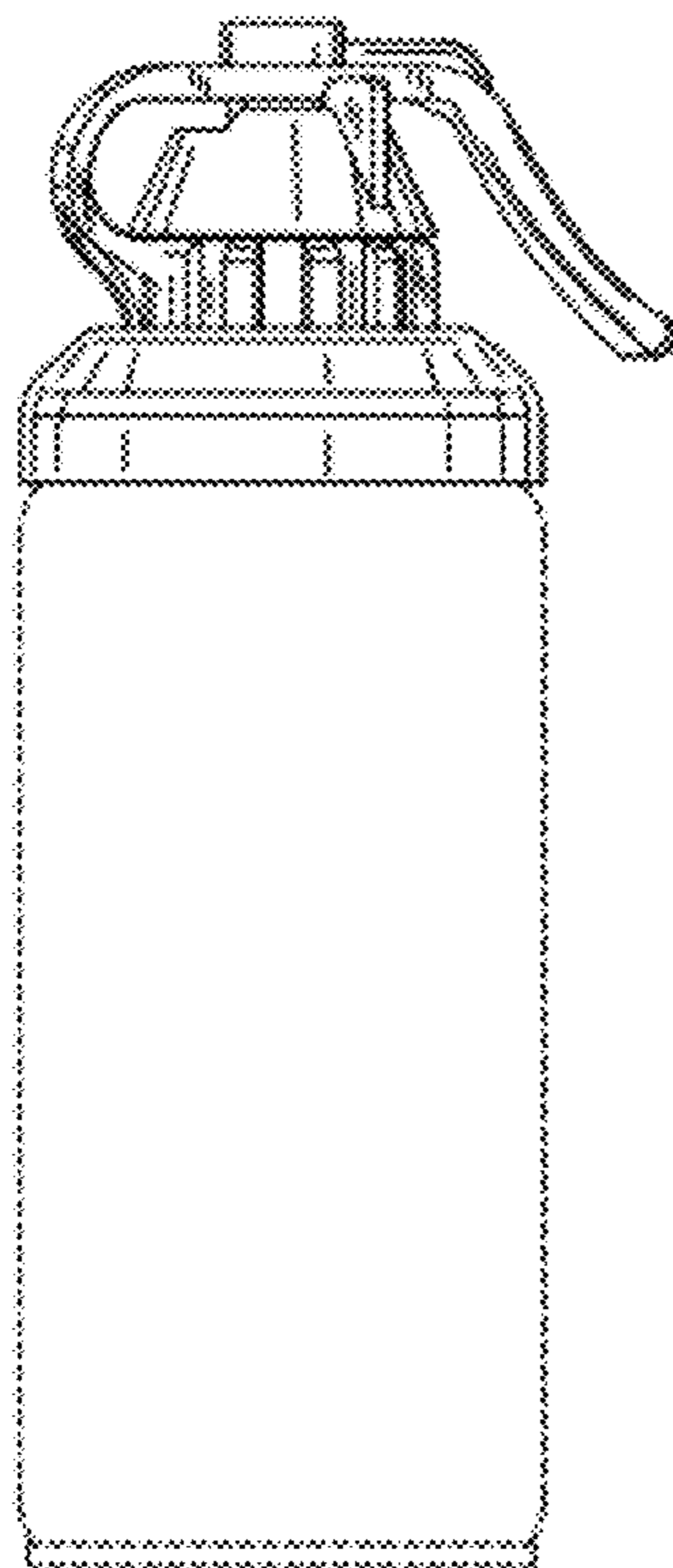


FIG. 2



FIG. 4

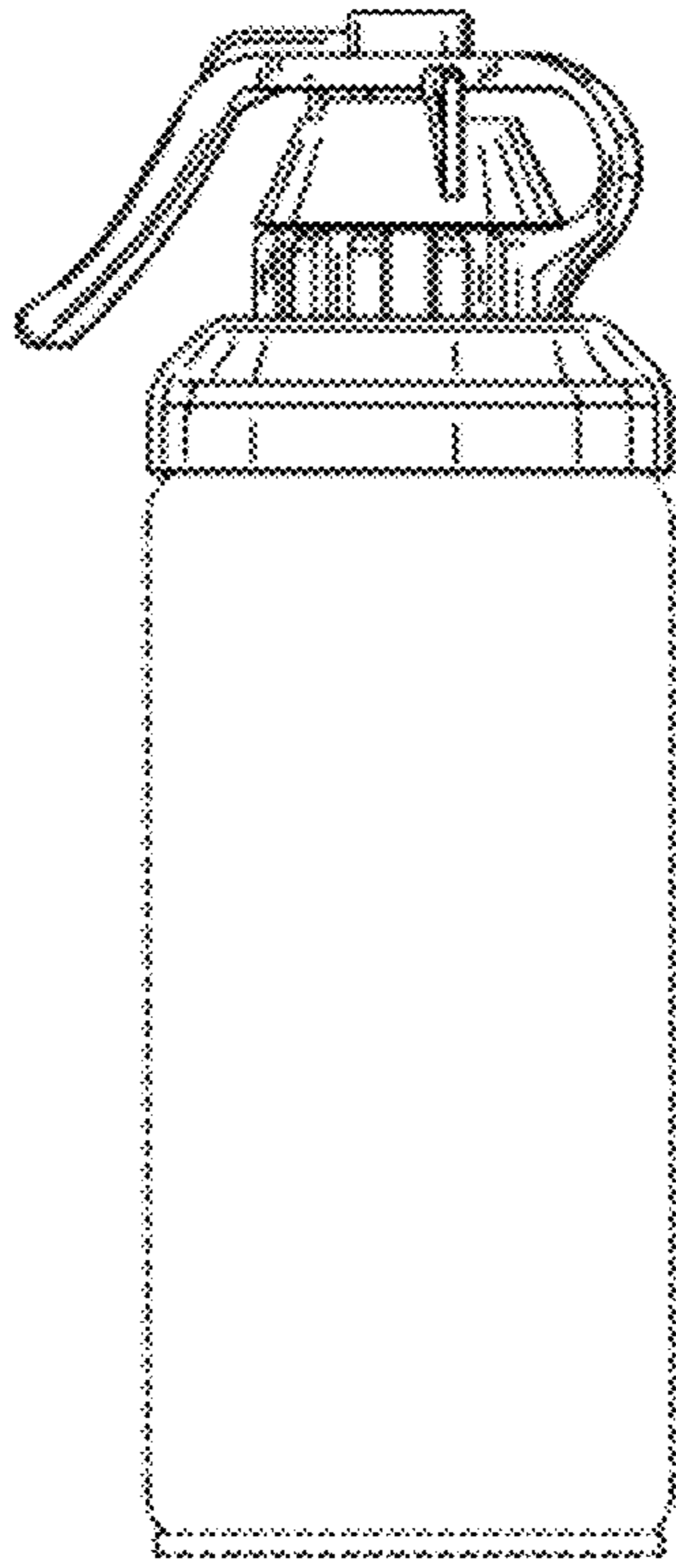


FIG. 5

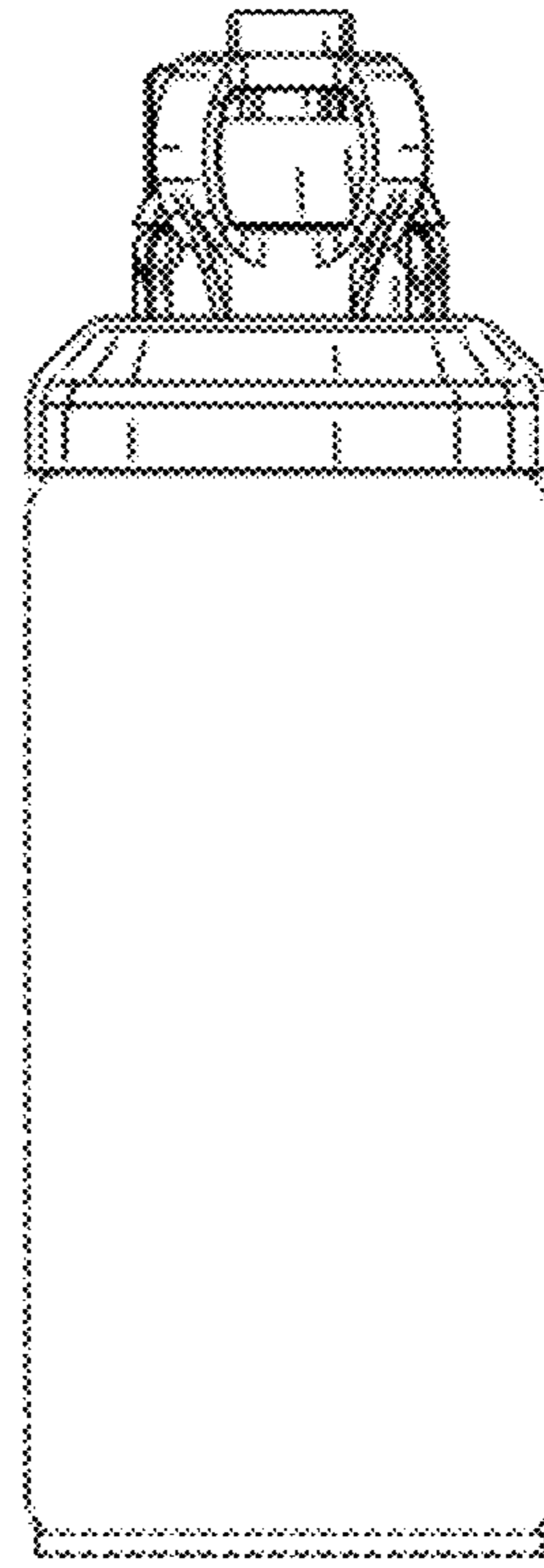


FIG. 6

FIG. 7

