



US00D659532S

(12) **United States Design Patent**  
**Di**

(10) **Patent No.:** **US D659,532 S**

(45) **Date of Patent:** **\*\* May 15, 2012**

(54) **COMBINED FOAM DISPENSING PUMP AND CAP**

(76) Inventor: **Ming-Chun Di**, Yuhuan (CN)

(\*\*) Term: **14 Years**

(21) Appl. No.: **29/347,908**

(22) Filed: **Jul. 23, 2010**

(30) **Foreign Application Priority Data**

Apr. 22, 2010 (CN) ..... 2010 3 0148092

(51) **LOC (9) Cl.** ..... **09-07**

(52) **U.S. Cl.** ..... **D9/448; D9/445; D9/454**

(58) **Field of Classification Search** ..... D9/772,

D9/763, 690, 688, 686, 529, 516, 504, 449,

D9/448, 447, 445, 434; 222/557, 556, 402.13,

222/281, 377

See application file for complete search history.

(56) **References Cited**

**U.S. PATENT DOCUMENTS**

D160,098 S \* 9/1950 Lodes ..... D9/690

D240,711 S \* 7/1976 Angleman et al ..... D9/726

D241,918 S \* 10/1976 Knickerbocker ..... D9/448

D395,597 S \* 6/1998 Lamb ..... D9/688

D488,380 S \* 4/2004 Dobbs et al. .... D9/448

D512,310 S \* 12/2005 Hite ..... D9/454

D585,761 S \* 2/2009 Oates ..... D9/686

D634,212 S \* 3/2011 Kruezkamp et al. .... D9/690

\* cited by examiner

*Primary Examiner* — Susan Bennett Hattan

(57) **CLAIM**

The ornamental design for a combined foam dispensing pump and cap, as shown and described.

**DESCRIPTION**

FIG. 1 is a perspective view of a combined foam dispensing pump and cap showing my new design;

FIG. 2 is a front elevational view thereof;

FIG. 3 is a rear elevational view thereof;

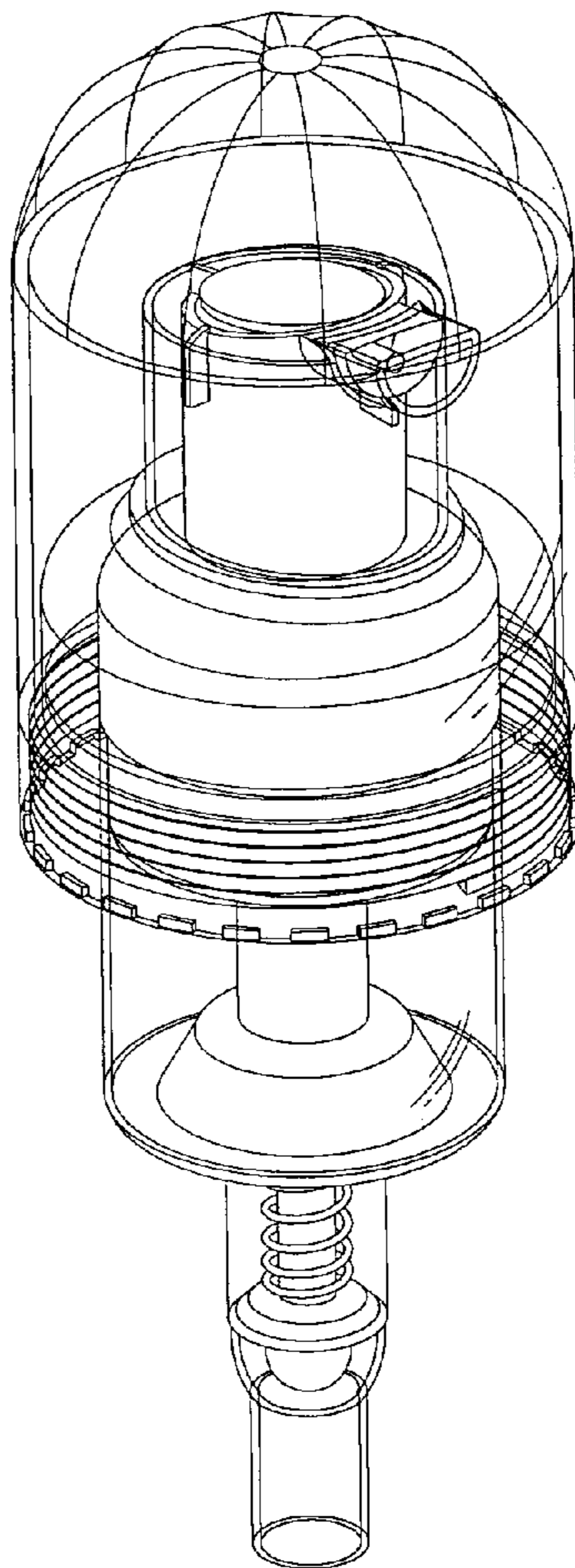
FIG. 4 is a left side elevational view thereof;

FIG. 5 is a right side elevational view thereof;

FIG. 6 is a top plan view thereof; and,

FIG. 7 is an exploded view thereof.

**1 Claim, 5 Drawing Sheets**



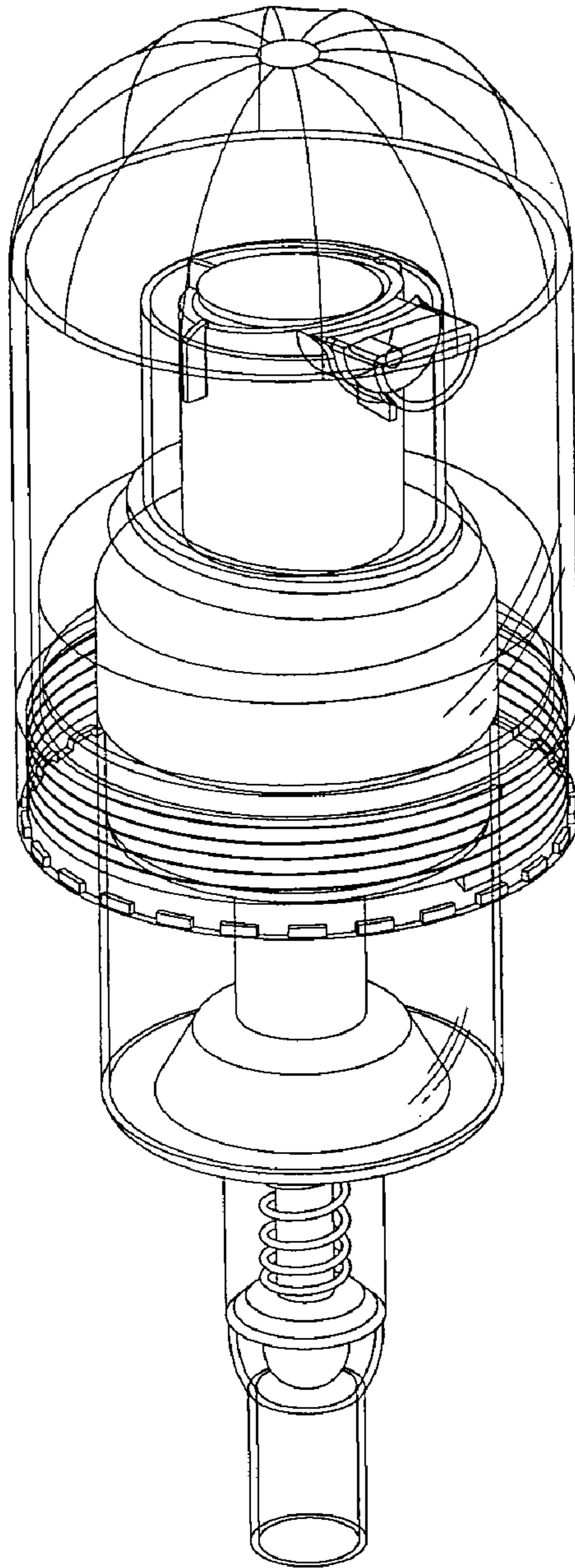


Fig. 1

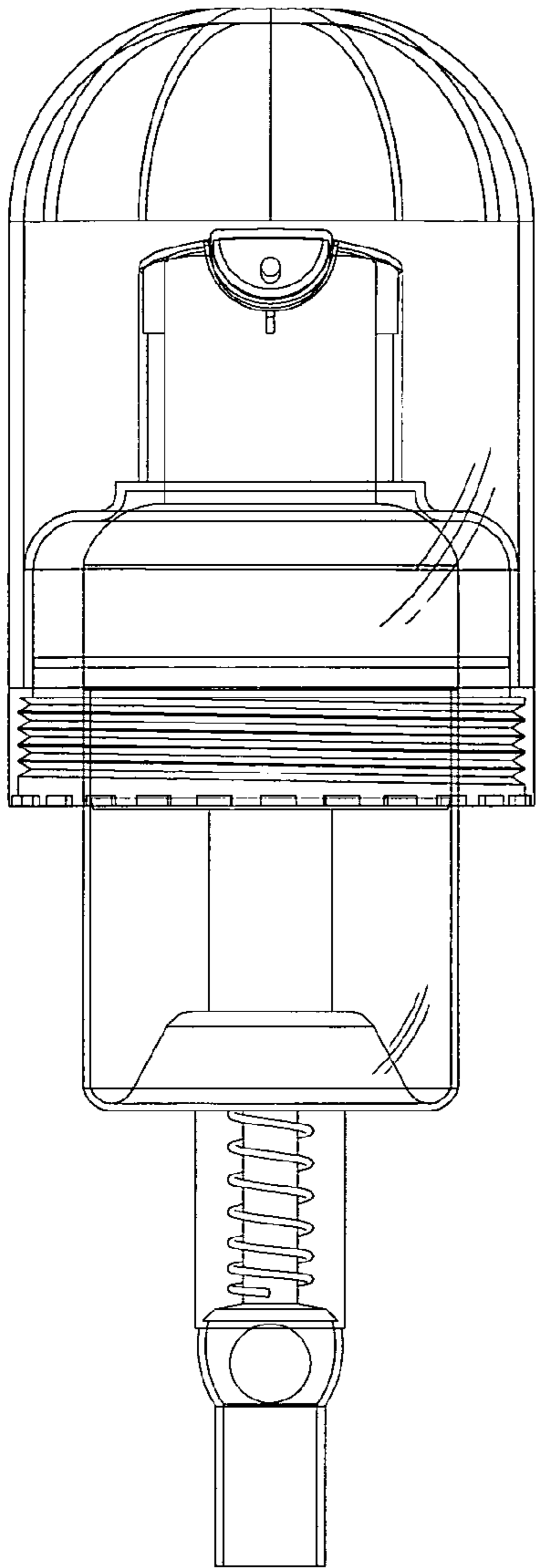


Fig. 2

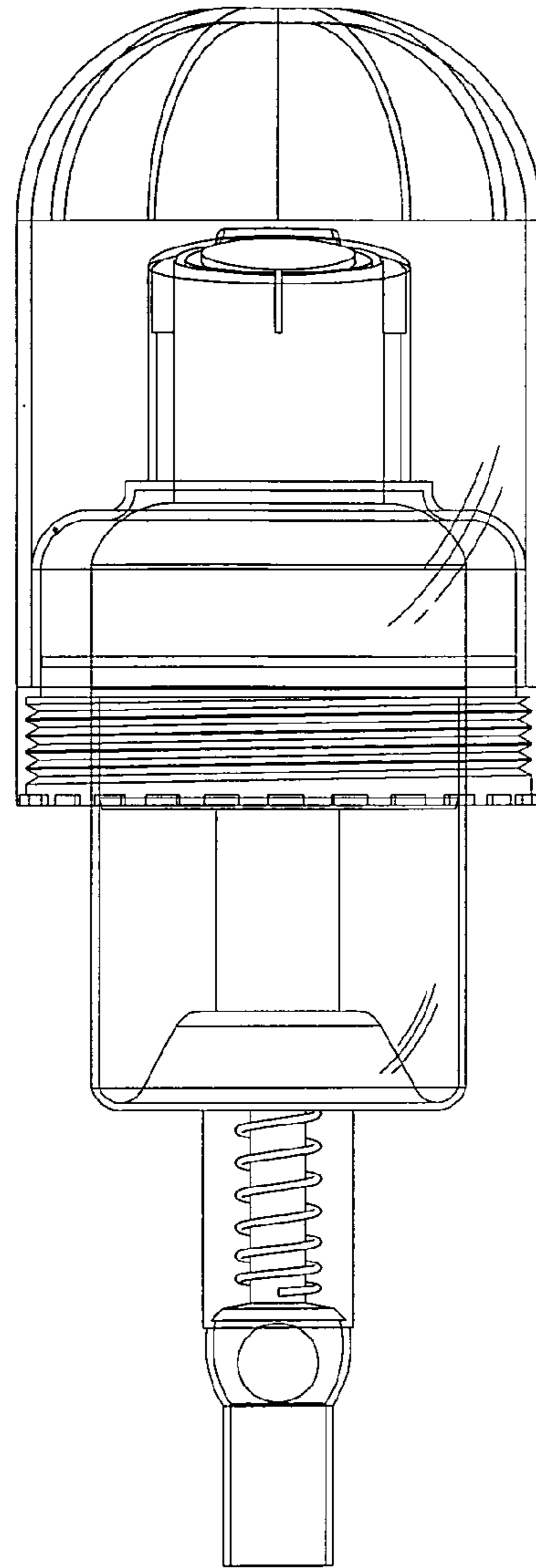


Fig. 3

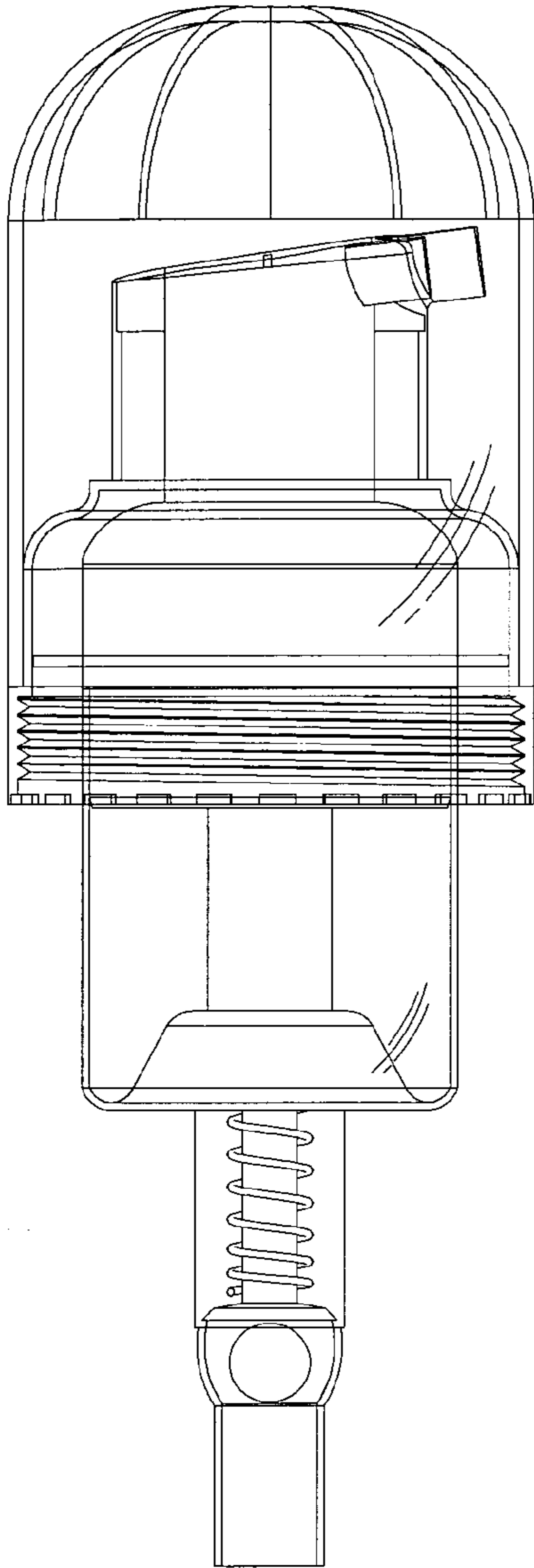


Fig. 4

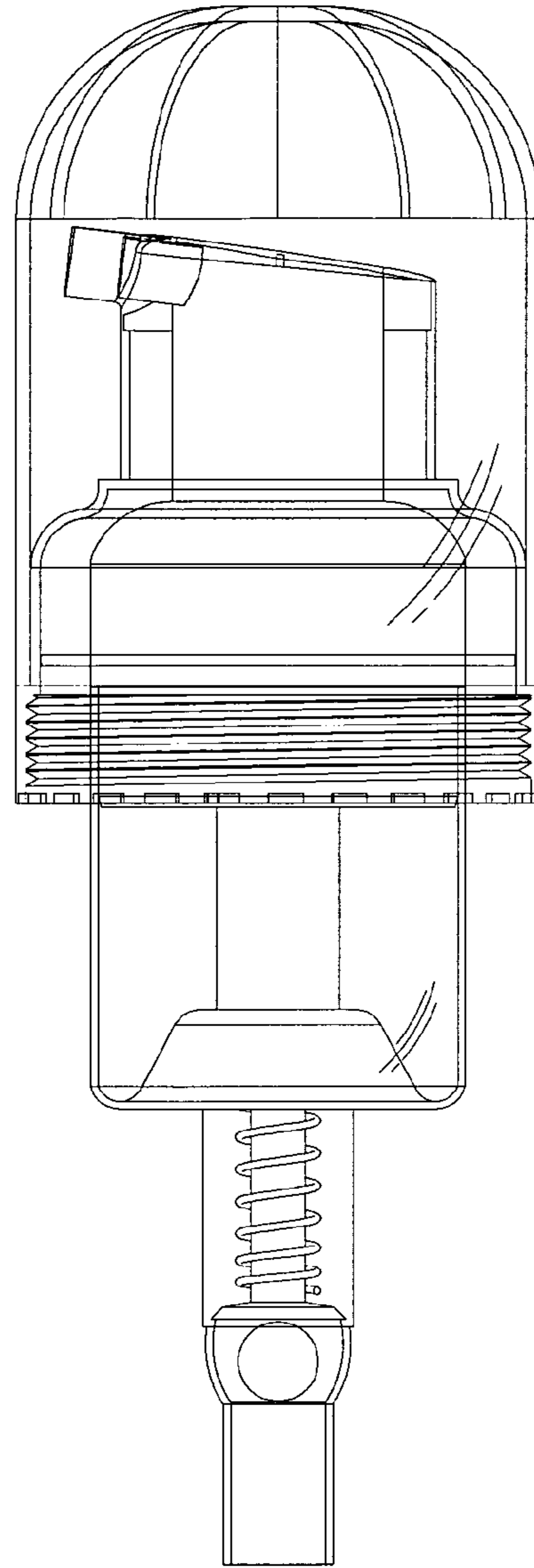


Fig. 5

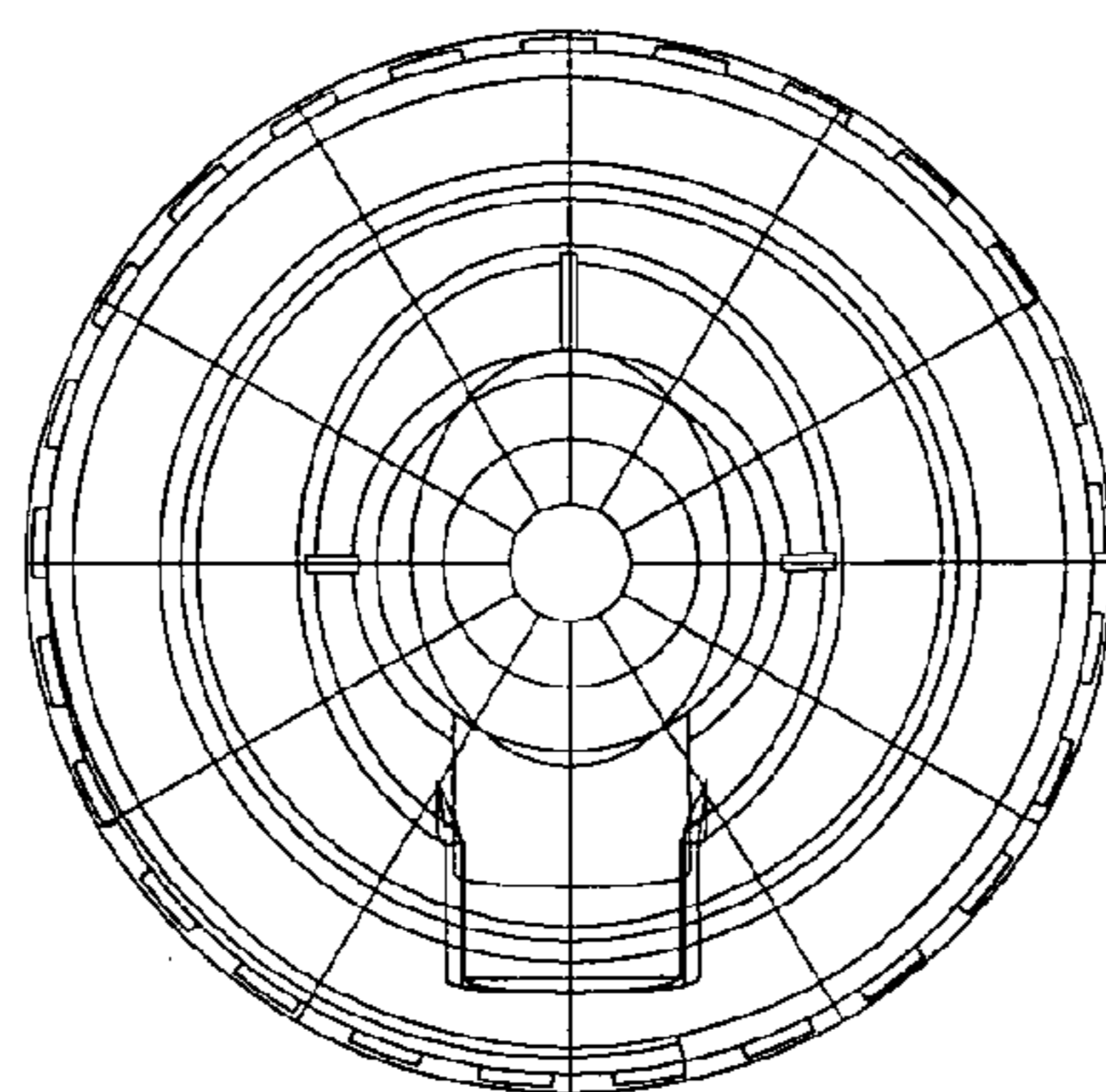


Fig. 6

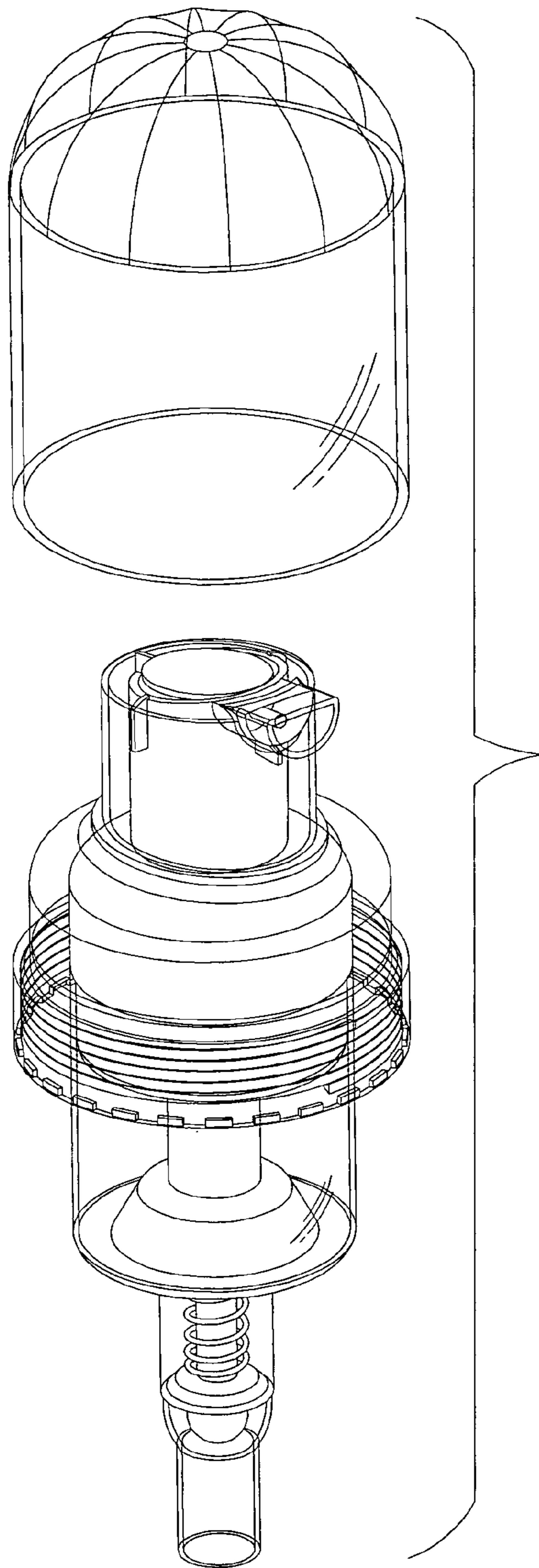


Fig. 7