



US00D659530S

(12) **United States Design Patent**
Akana et al.

(10) **Patent No.:** **US D659,530 S**
(45) **Date of Patent:** **** May 15, 2012**

(54) **PACKAGING**

(75) Inventors: **Jody Akana**, San Francisco, CA (US);
Bartley K. Andre, Menlo Park, CA
(US); **Jeremy Bataillou**, San Francisco,
CA (US); **Daniel J. Coster**, San
Francisco, CA (US); **Daniele De Iuliis**,
San Francisco, CA (US); **Evans**
Hankey, San Francisco, CA (US);
Richard P. Howarth, San Francisco, CA
(US); **Jonathan P. Ive**, San Francisco,
CA (US); **Duncan Robert Kerr**, San
Francisco, CA (US); **Shin Nishibori**,
Portola Valley, CA (US); **Matthew Dean**
Rohrbach, San Francisco, CA (US);
Peter Russell-Clarke, San Francisco,
CA (US); **Christopher J. Stringer**,
Woodside, CA (US); **Eugene Antony**
Whang, San Francisco, CA (US); **Rico**
Zorkendorfer, San Francisco, CA (US)

(73) Assignee: **Apple Inc.**, Cupertino, CA (US)

(**) Term: **14 Years**

(21) Appl. No.: **29/368,992**

(22) Filed: **Aug. 31, 2010**

(51) **LOC (9) Cl.** **09-03**

(52) **U.S. Cl.** **D9/424**

(58) **Field of Classification Search** D9/424,
D9/414, 418-423, 425, 428-432, 435, 436,
D9/455, 499; D3/202, 273, 328; D7/538,
D7/601, 602, 604, 610, 612, 629; 206/486,
206/488, 490, 503, 504, 557, 562, 565, 521.1,
206/775, 776, 815, 822; 220/676, 781, 786,
220/789, 790, 793; 229/406, 407, 906, 915,
229/925; D28/76, 81, 83

See application file for complete search history.

(56) **References Cited**

U.S. PATENT DOCUMENTS

D159,157 S 6/1950 Koester
4,346,833 A * 8/1982 Bernhardt 220/257.1
4,750,619 A * 6/1988 Cohen et al. 206/438
5,012,928 A * 5/1991 Proffitt et al. 206/508

5,105,941 A 4/1992 Dolan et al.
D387,982 S * 12/1997 Kaplan D9/423
D484,646 S * 12/2003 Ditrichstein D28/83
D484,797 S * 1/2004 Kipperman et al. D9/424
D501,764 S * 2/2005 Lerner D7/629
D505,517 S * 5/2005 Baresi et al. D28/76
D514,931 S * 2/2006 Snedden et al. D9/425
D558,571 S 1/2008 Andre et al.
D558,572 S 1/2008 Andre et al.
D576,486 S * 9/2008 Koza D9/432
D580,752 S 11/2008 Andre et al.
D582,267 S 12/2008 Andre et al.
D584,142 S 1/2009 Andre et al.
D596,485 S 7/2009 Andre et al.
D604,605 S * 11/2009 Chung et al. D9/432
D616,741 S 6/2010 Andre et al.
D620,795 S 8/2010 Andre et al.
D621,256 S 8/2010 Andre et al.
2008/0169218 A1 7/2008 Andre et al.

FOREIGN PATENT DOCUMENTS

JP 61040925 3/1986
KR 300253042 2/2000
KR 300267299 12/2000

OTHER PUBLICATIONS

U.S. Appl. No. 29/369,022, "Electronic Device And Packaging
Therefor", filed Sep. 1, 2010.

* cited by examiner

Primary Examiner — Derrick Holland

(74) *Attorney, Agent, or Firm* — Sterne, Kessler, Goldstein
& Fox PLLC

(57) **CLAIM**

The ornamental design for packaging, as shown and
described.

DESCRIPTION

FIG. 1 is a top perspective view of packaging showing our
new design;

FIG. 2 is a bottom perspective view thereof;

FIG. 3 is a front view thereof, the rear view being a mirror
image thereof;

FIG. 4 is a side view thereof, the other side view being a
mirror image thereof;

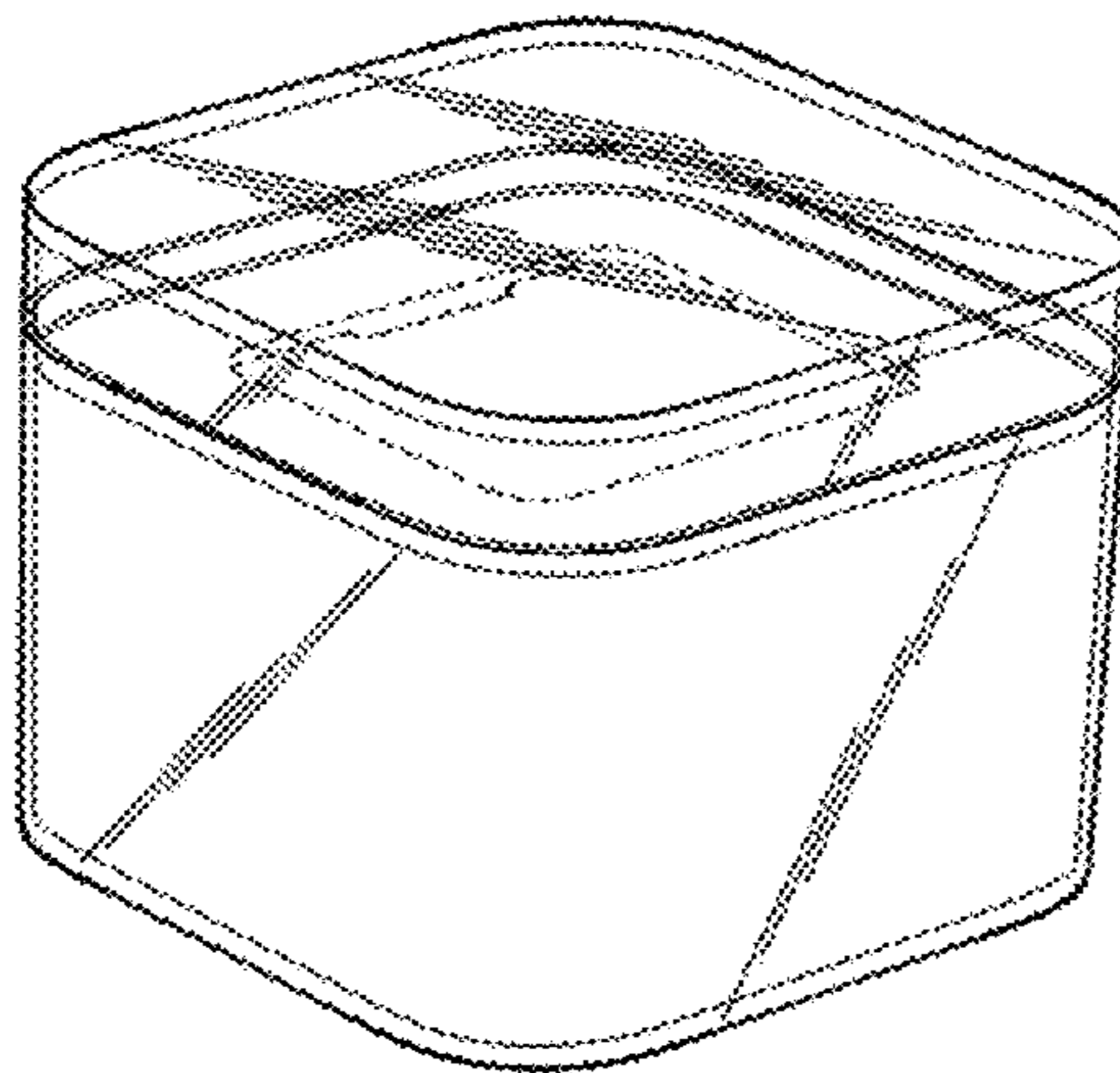


FIG. 5 is a top view thereof;
FIG. 6 is a bottom view thereof;
FIG. 7 is another top perspective view thereof with the cover in an open position;
FIG. 8 is an exploded view of the package of FIG. 1;
FIG. 9 is a bottom perspective view of the package of FIG. 7;
FIG. 10 is a front view thereof, the rear view being a mirror image thereof;
FIG. 11 is a side view thereof, the other side view being a mirror image thereof;
FIG. 12 is a top perspective view of another embodiment of packaging showing our new design;
FIG. 13 is a bottom perspective view thereof;
FIG. 14 is a front view thereof, the rear view being a mirror image thereof;
FIG. 15 is a side view thereof, the other side view being a mirror image thereof;

FIG. 16 is a top view thereof;
FIG. 17 is a bottom view thereof;
FIG. 18 is another top perspective view thereof with the cover in an open position;
FIG. 19 is an exploded view of the package of FIG. 12;
FIG. 20 is a bottom perspective view of the package of FIG. 18;
FIG. 21 is a front view thereof, the rear view being a mirror image thereof; and,
FIG. 22 is a side view thereof, the other side view being a mirror image thereof.
The shade lines in the Figures show contour and transparency, and not surface ornamentation. The broken lines show portions of the packaging which form no part of the claimed design.

1 Claim, 22 Drawing Sheets

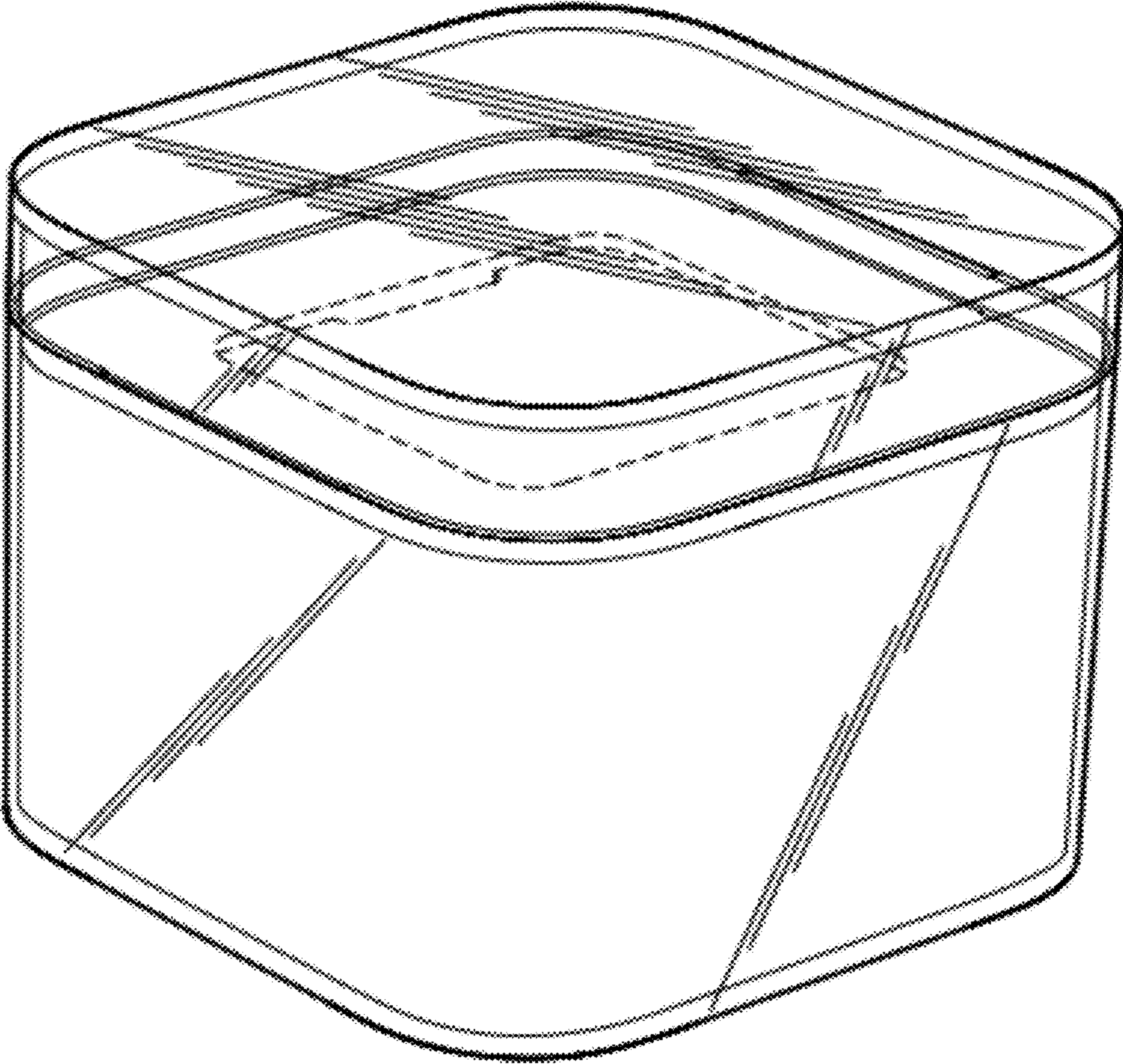


FIG. 1

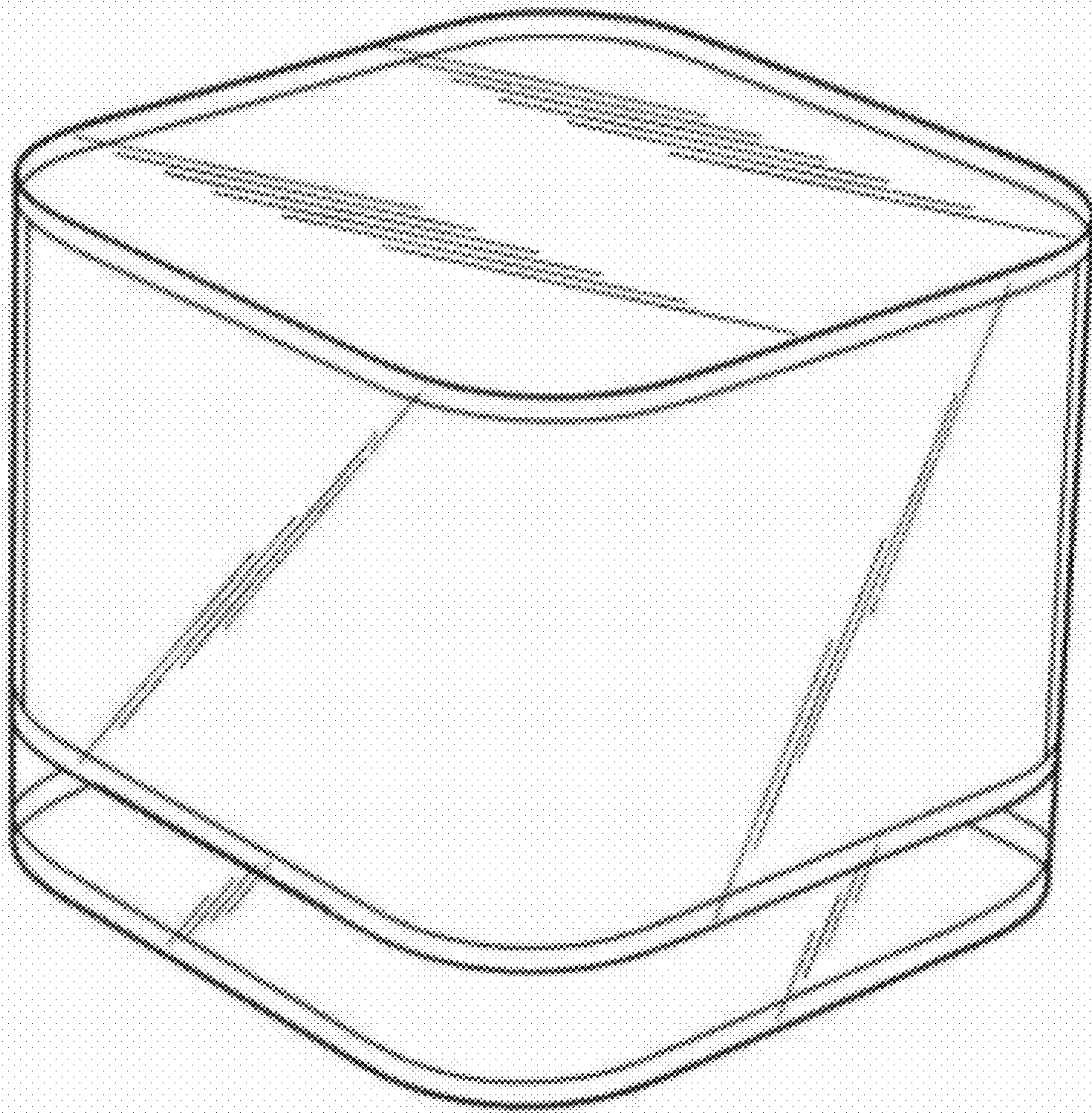


FIG.2

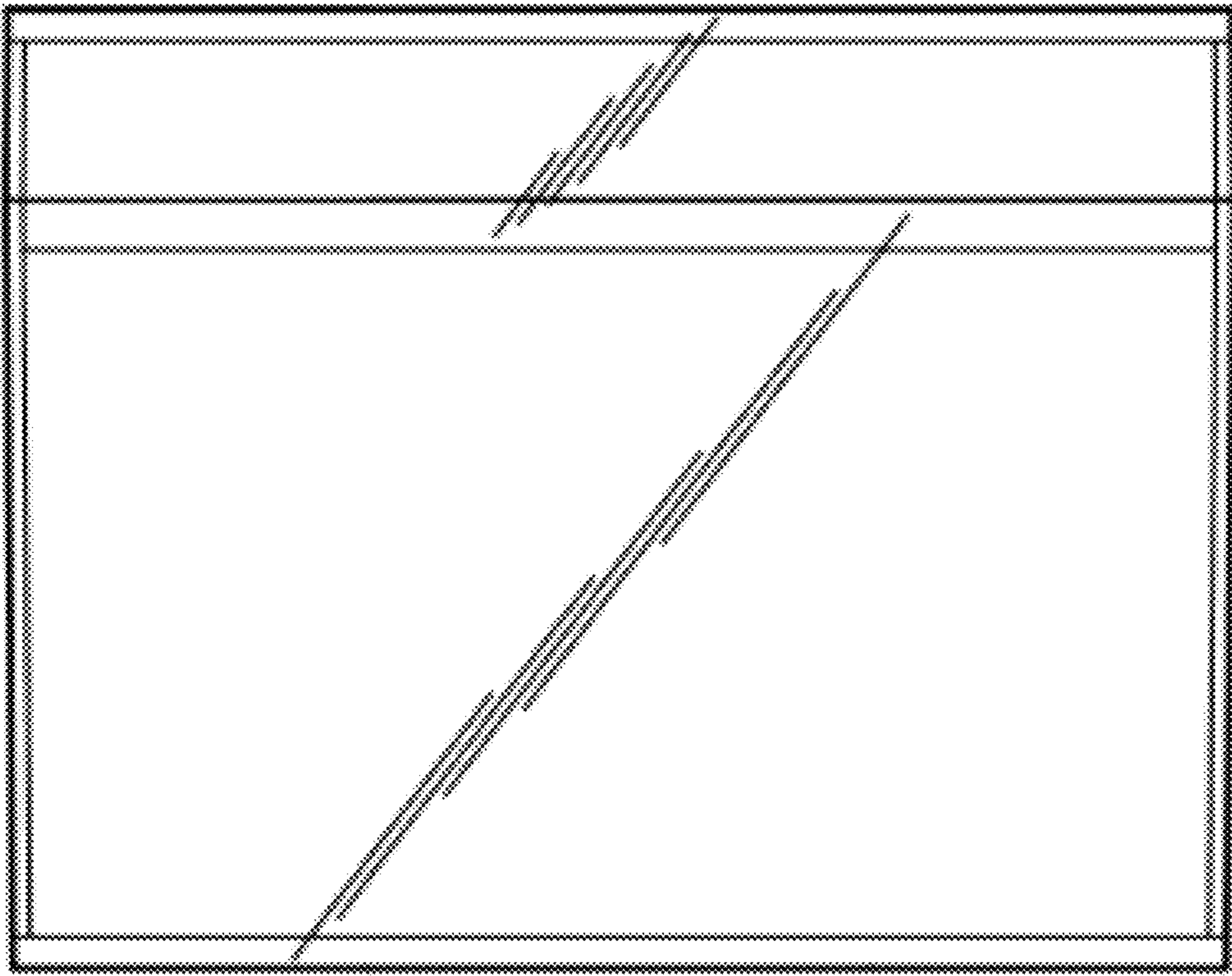


FIG.3

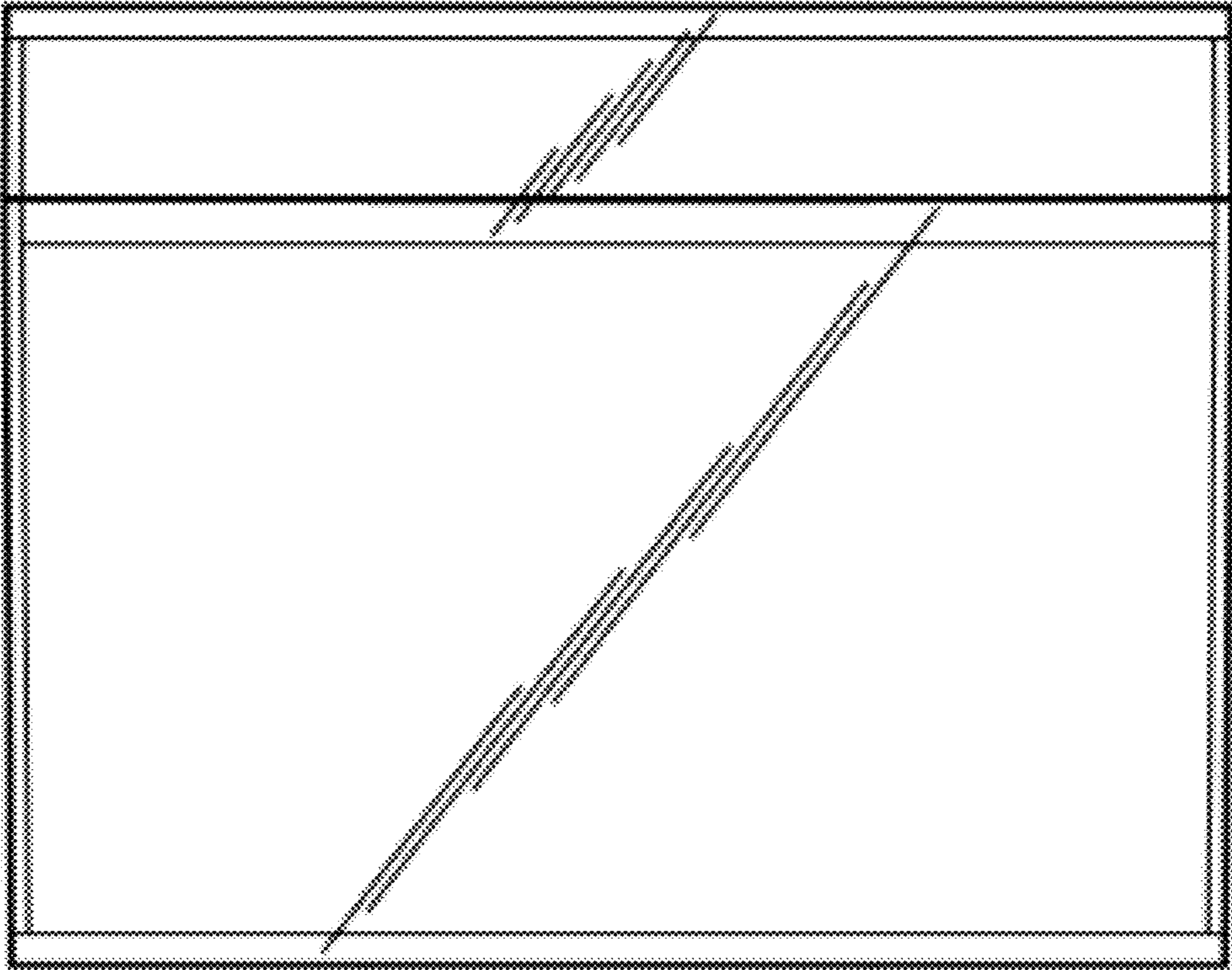


FIG. 4

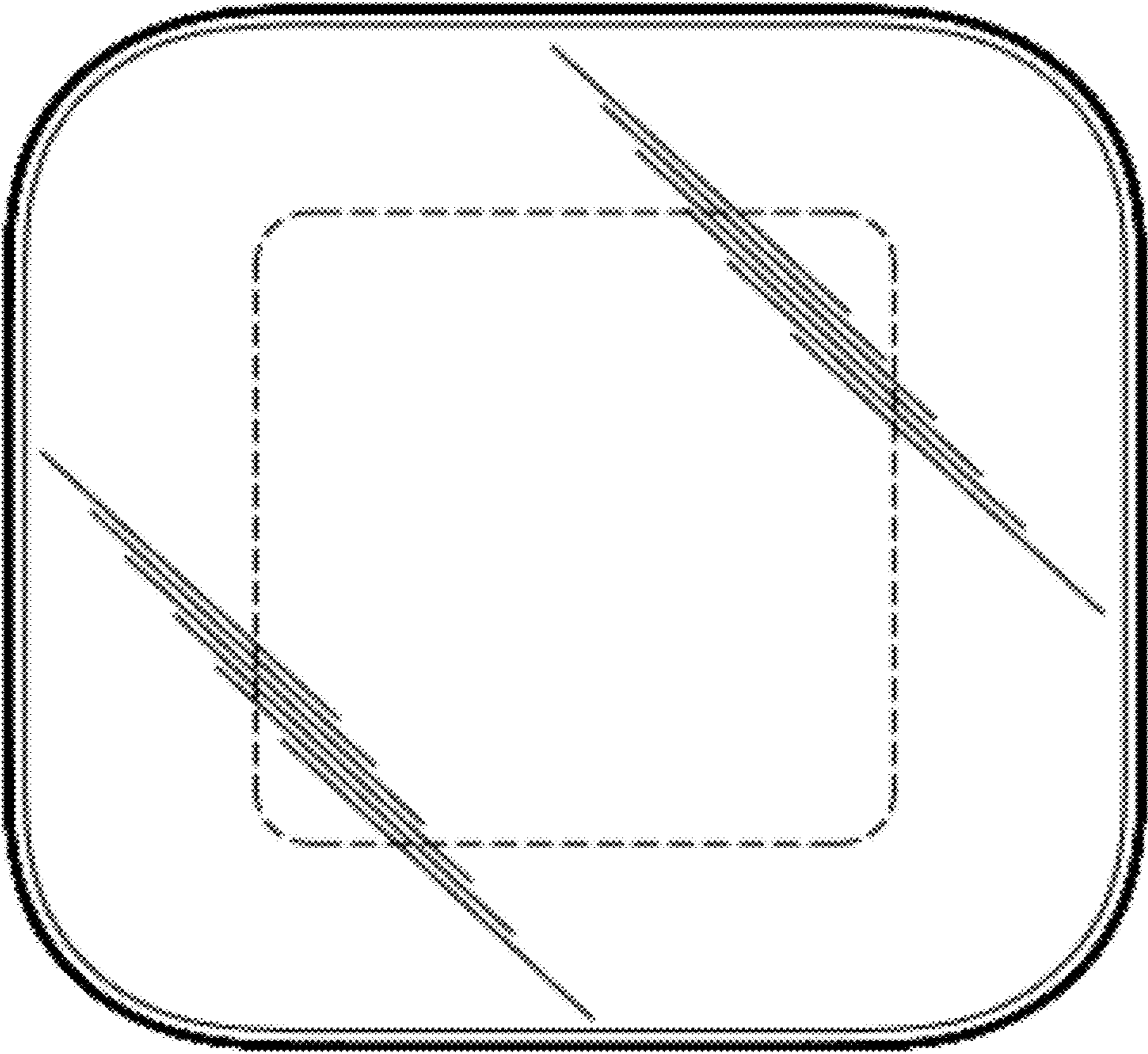


FIG.5

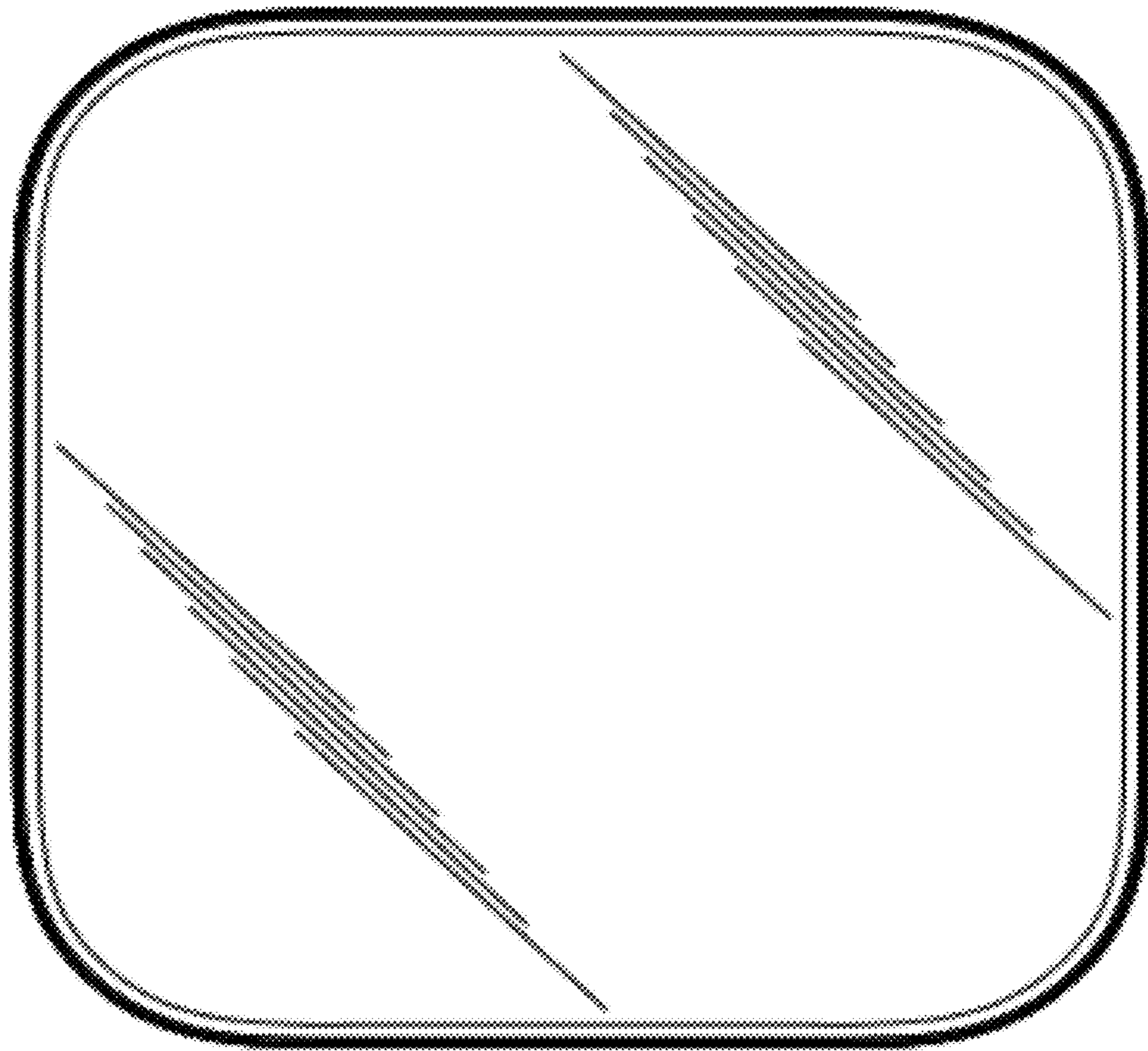


FIG.6

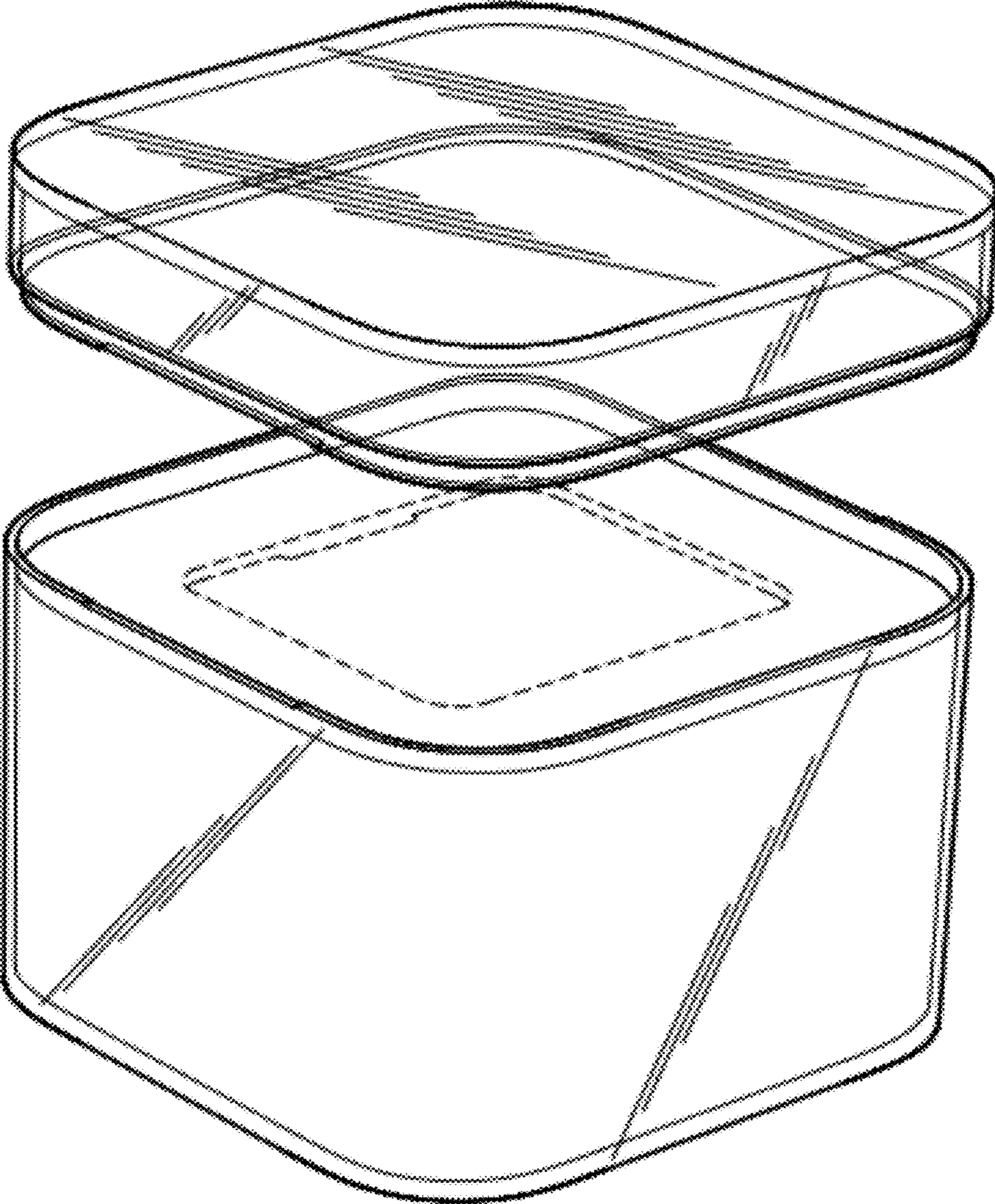


FIG. 7

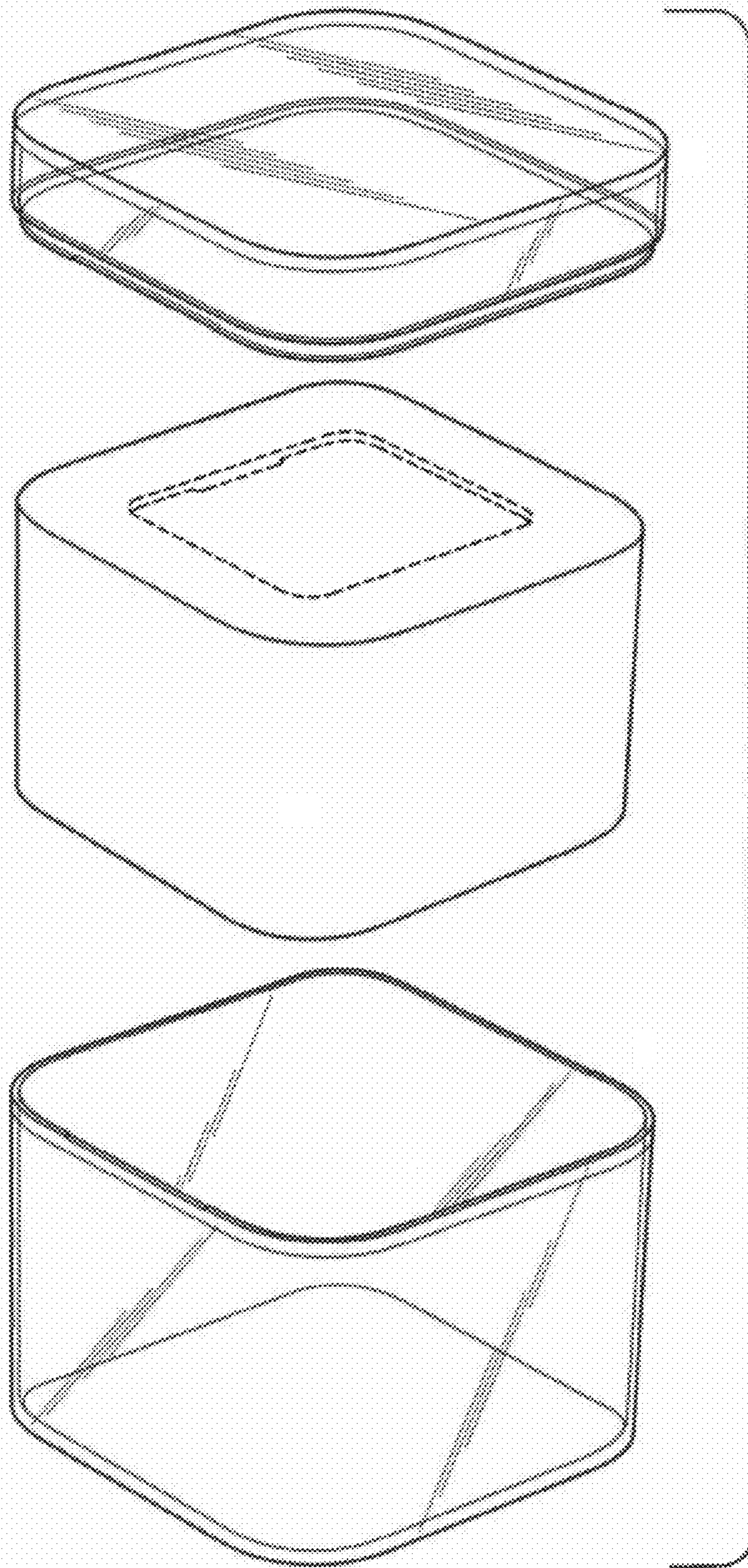


FIG. 8

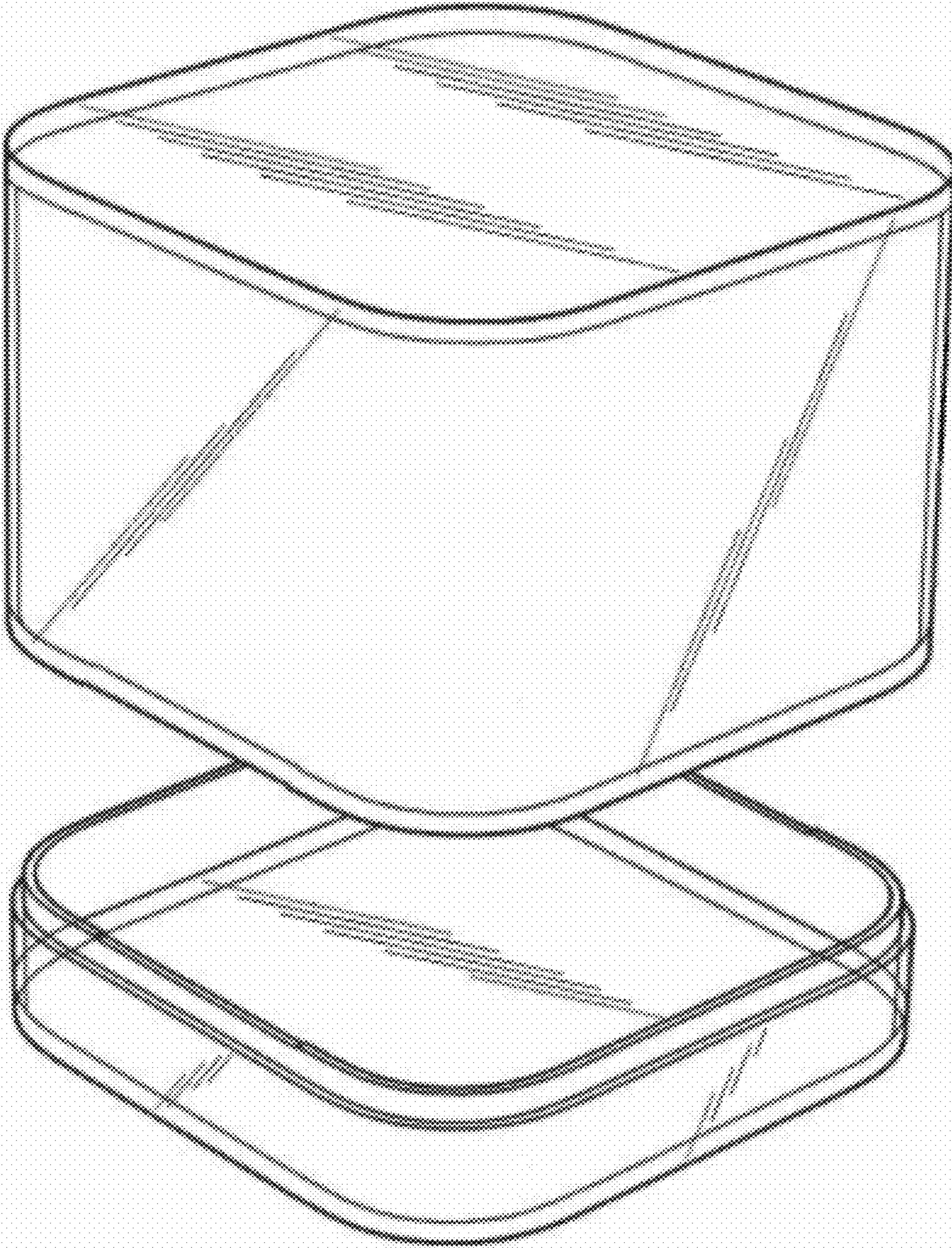


FIG.9

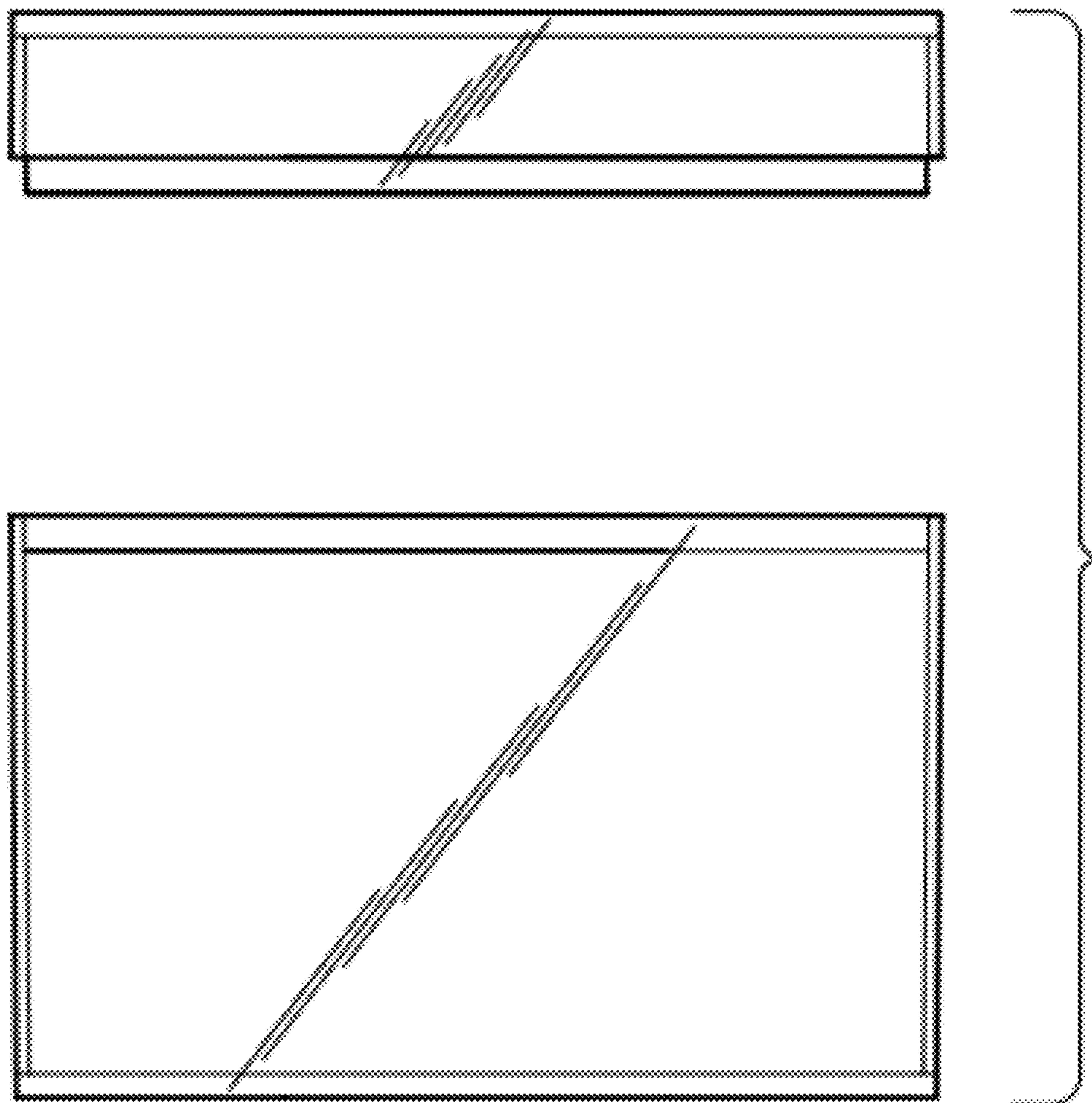


FIG. 10

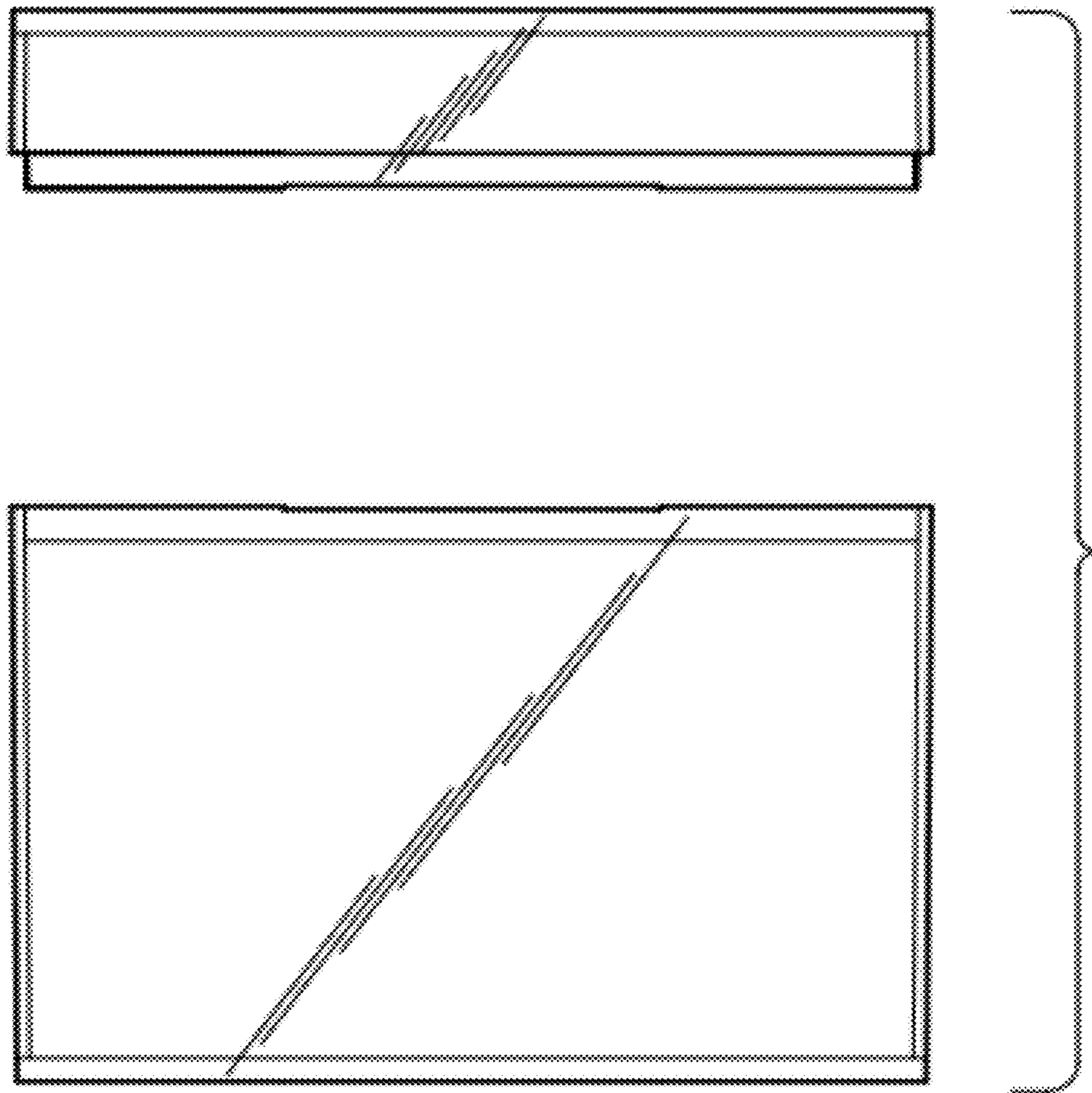


FIG. 11

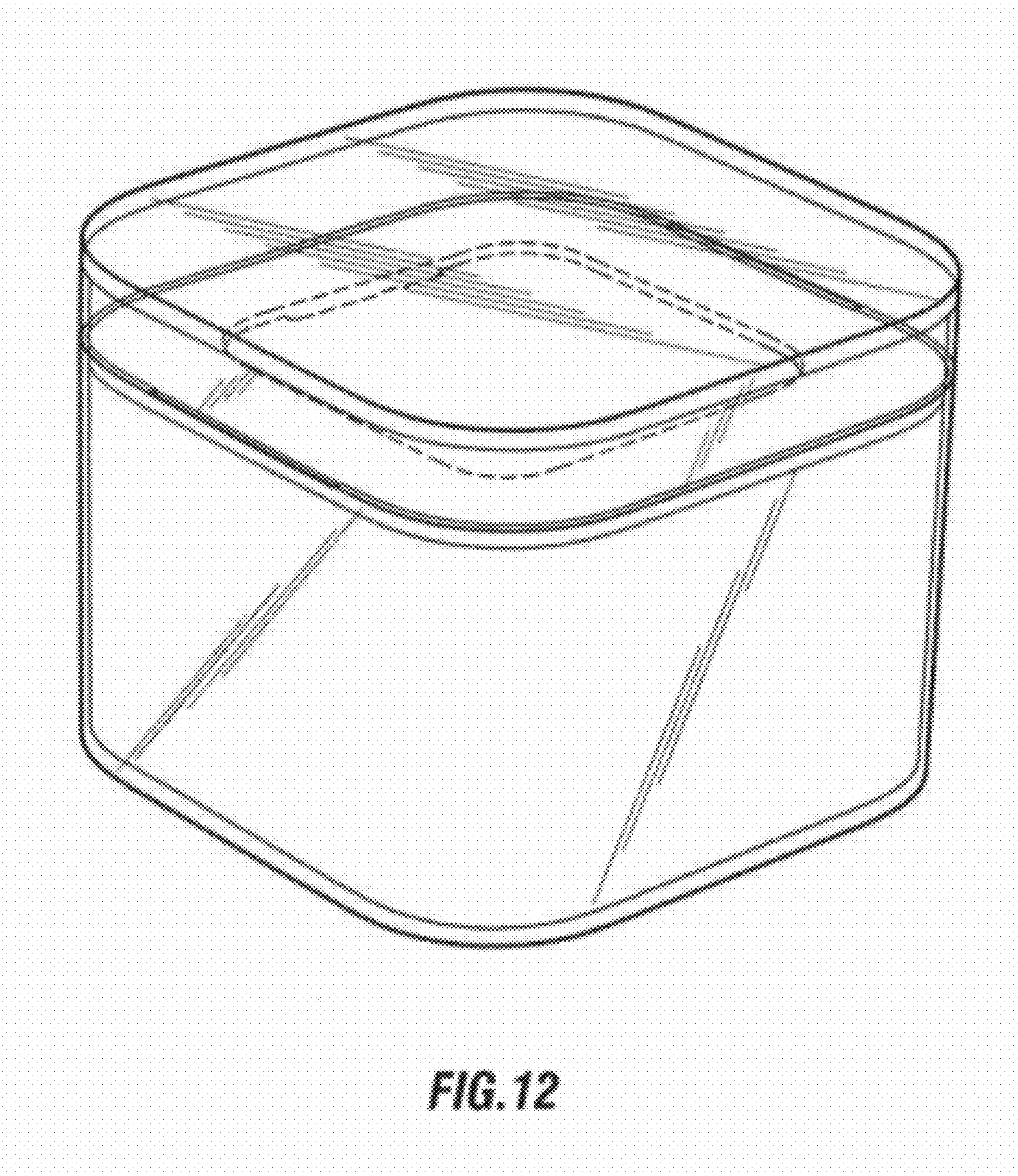


FIG. 12

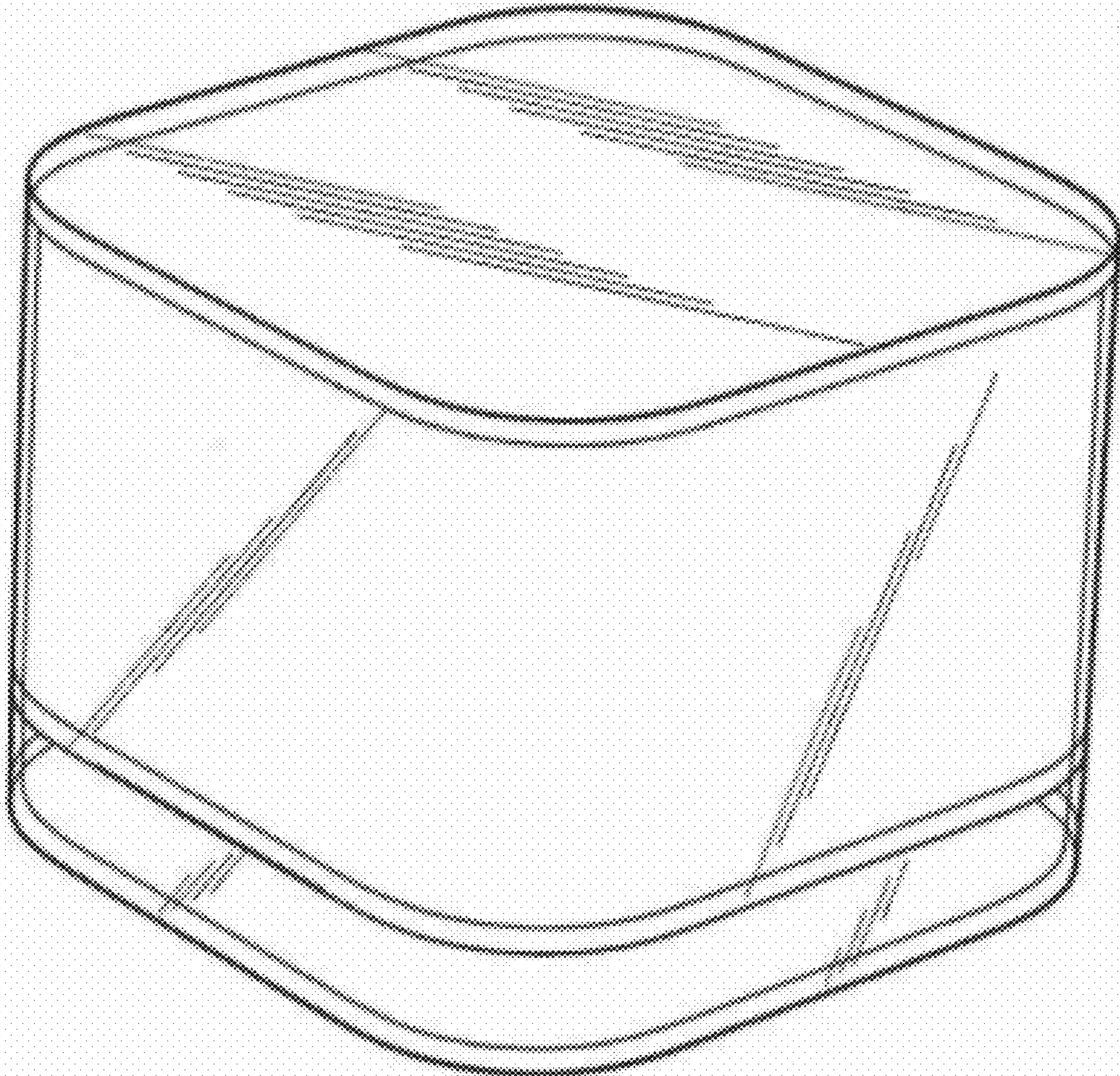


FIG. 13

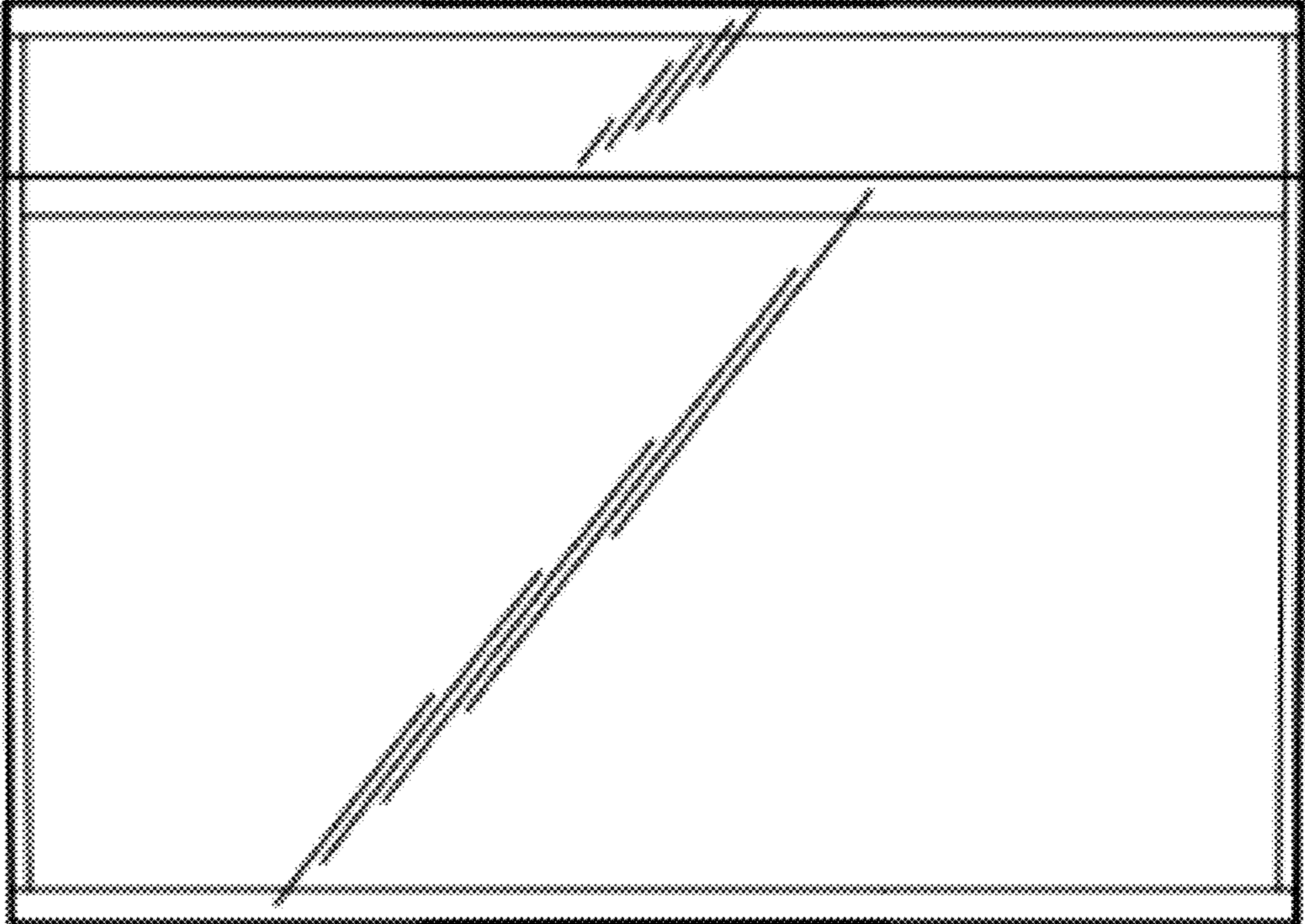


FIG. 14

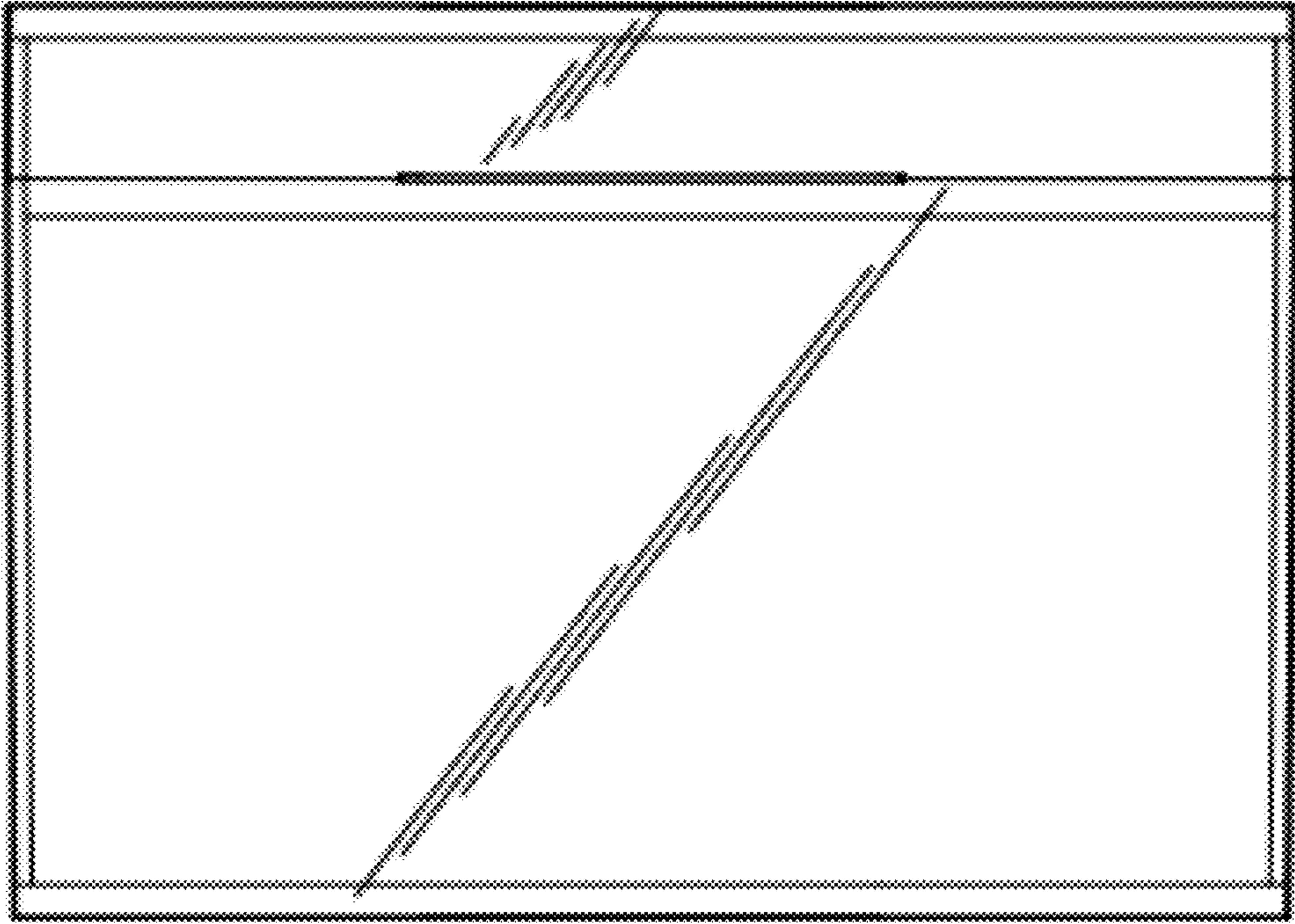


FIG. 15

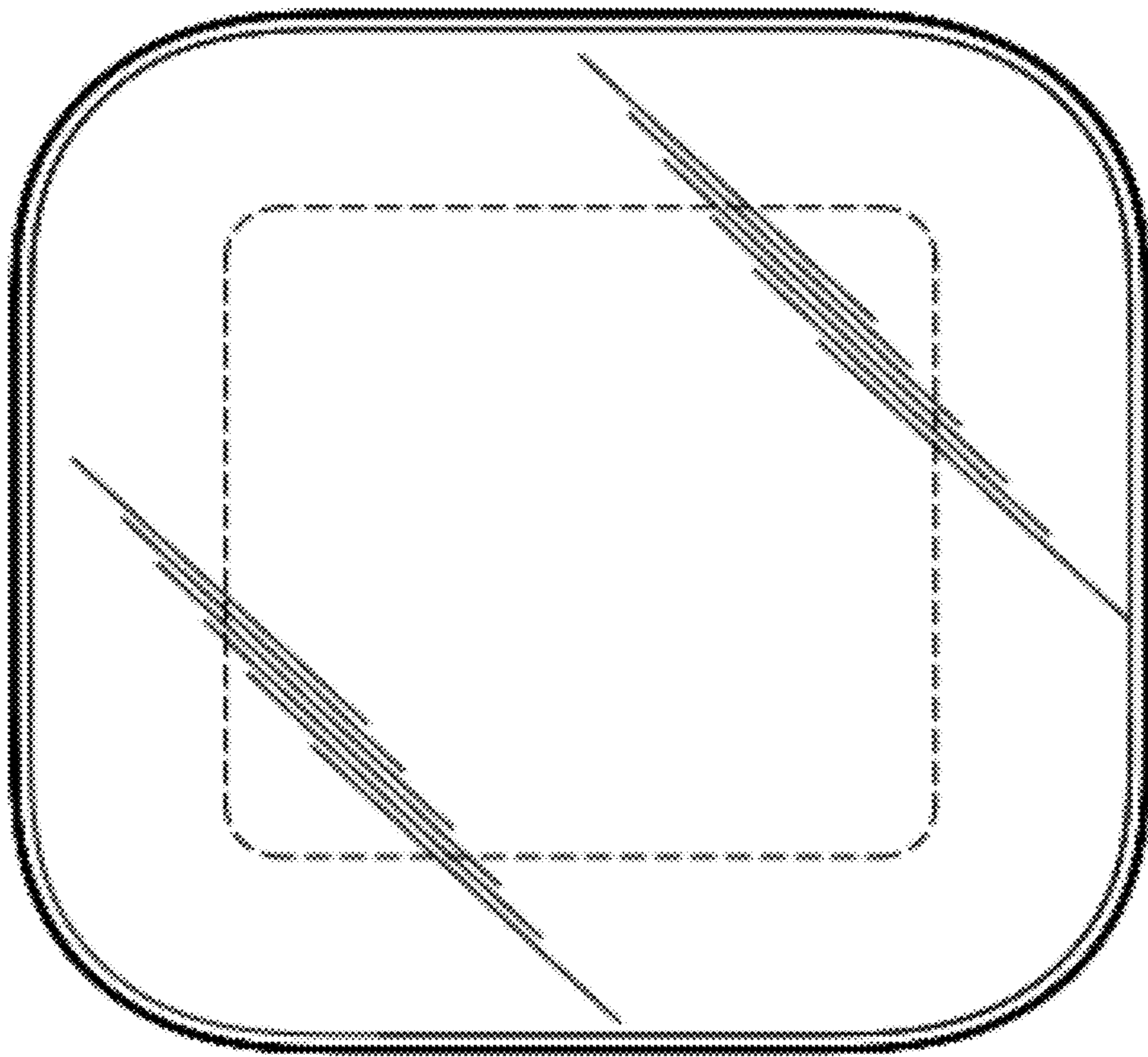


FIG. 16

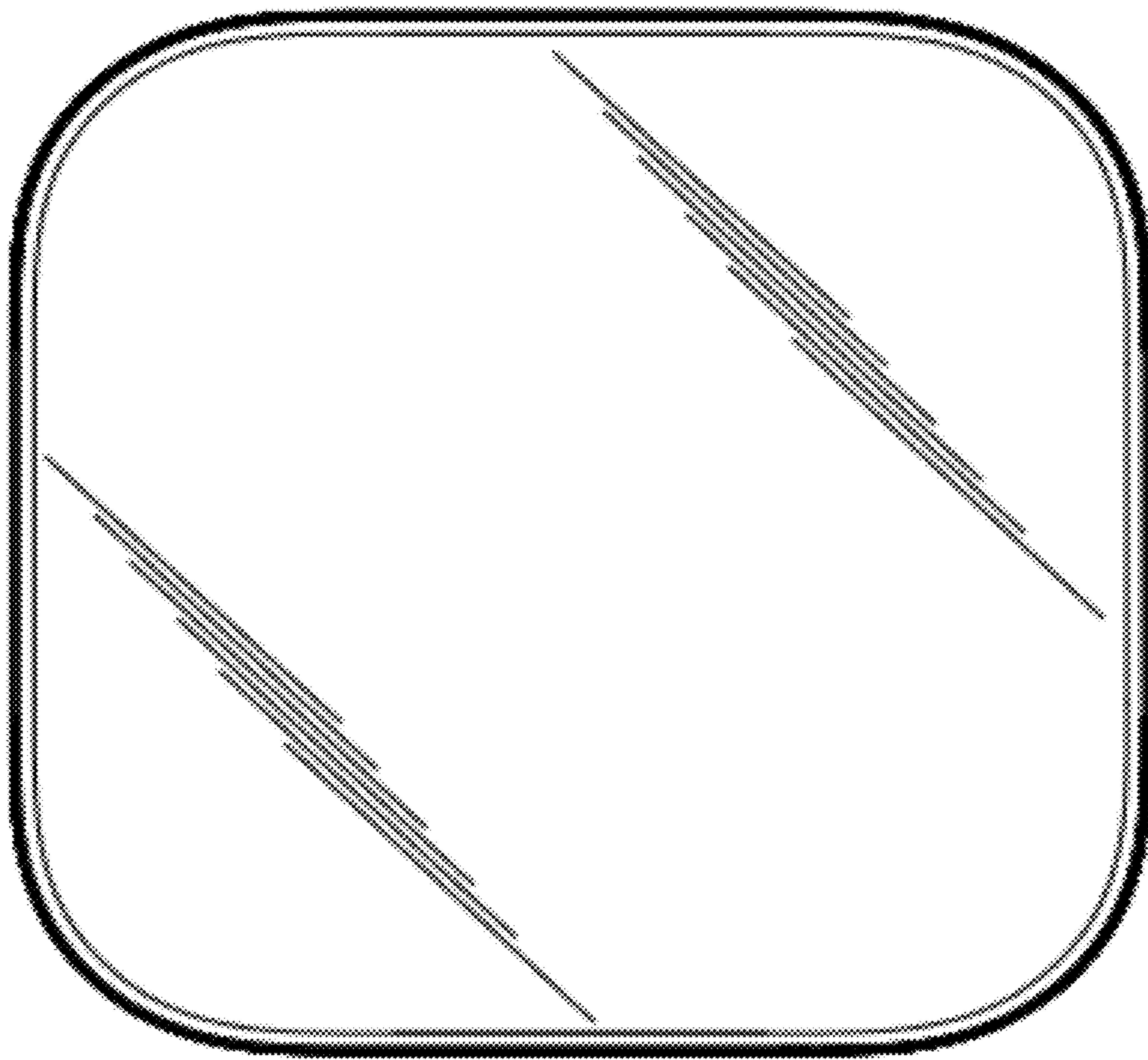


FIG. 17

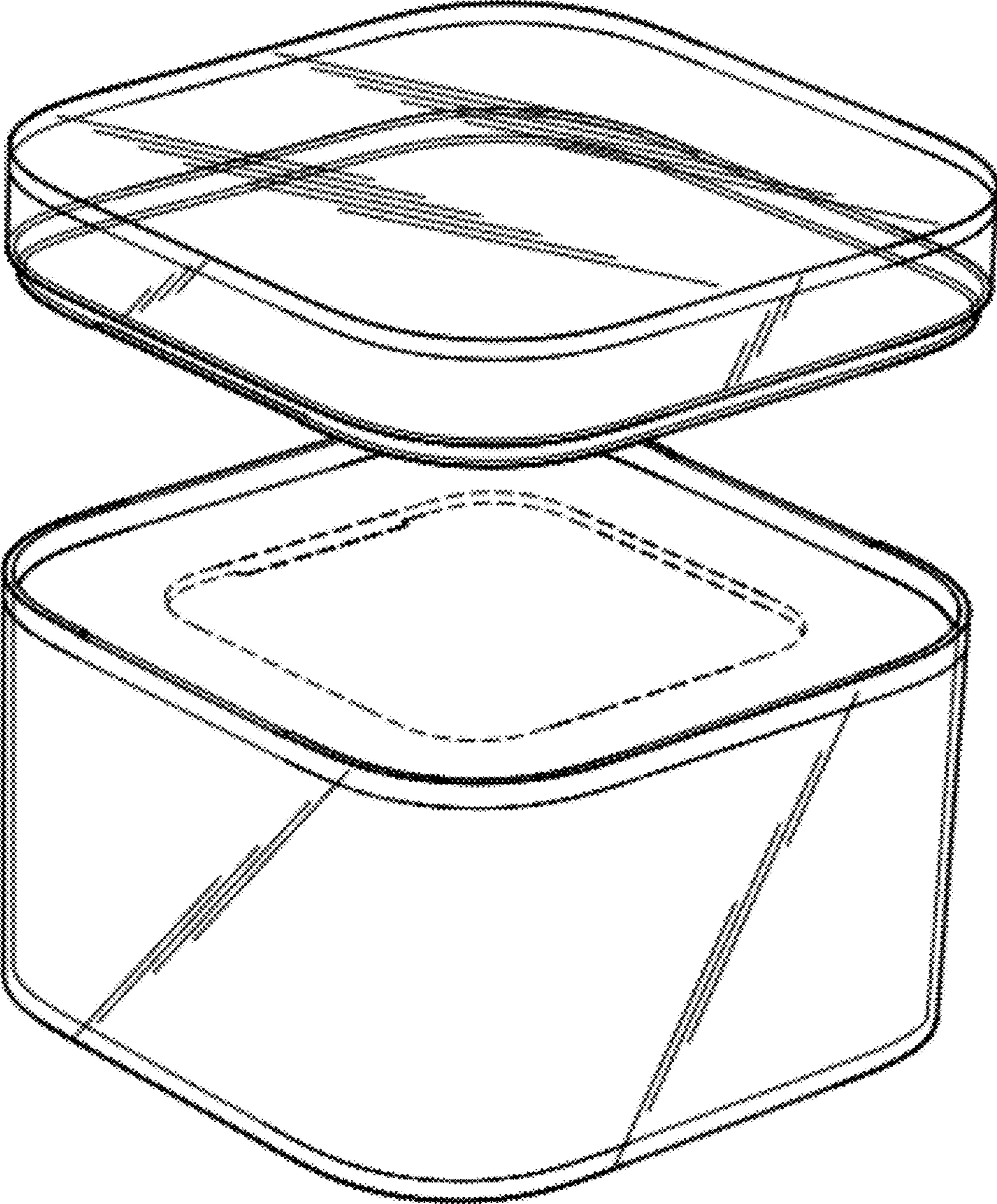


FIG. 18

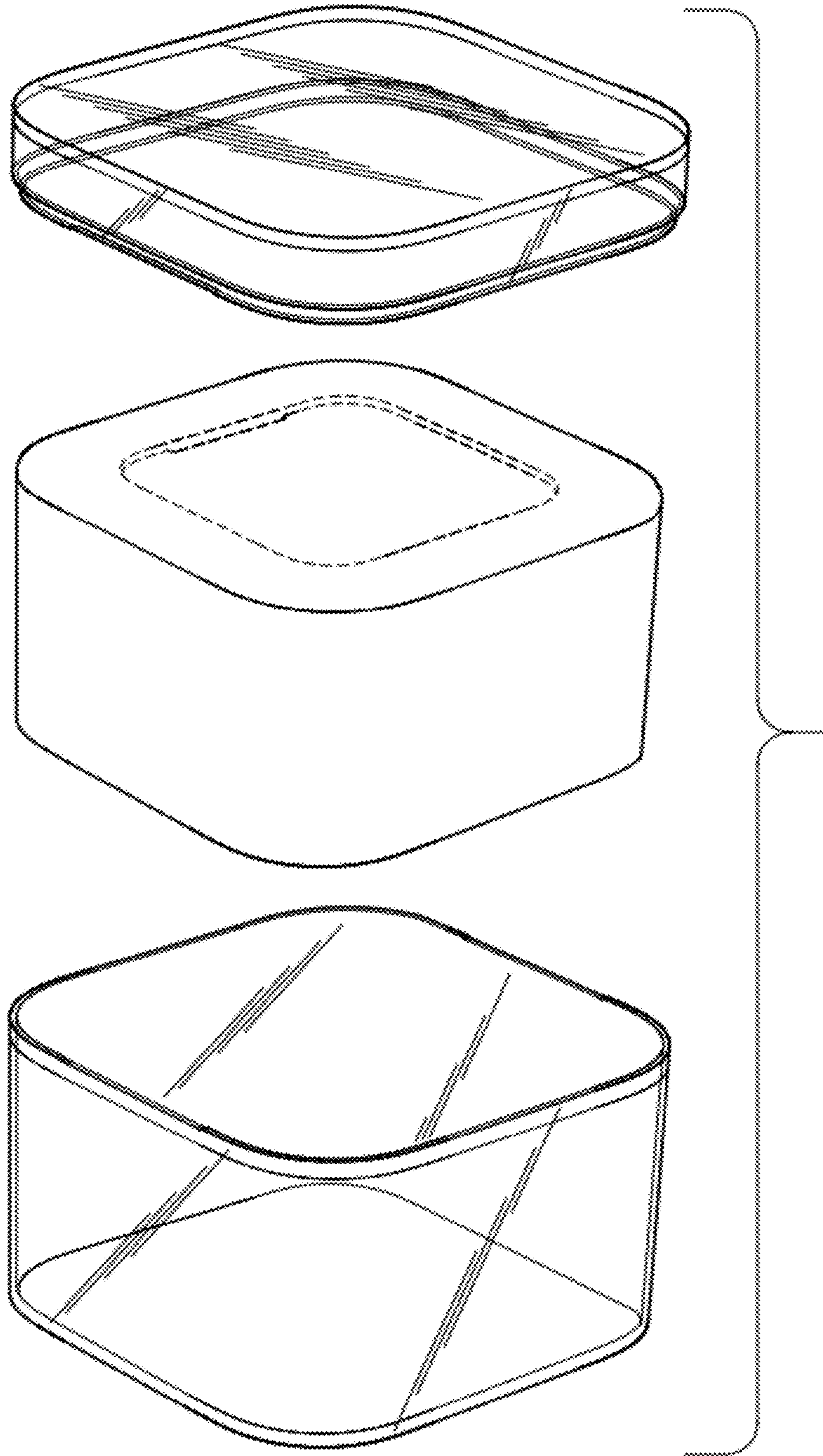


FIG. 19

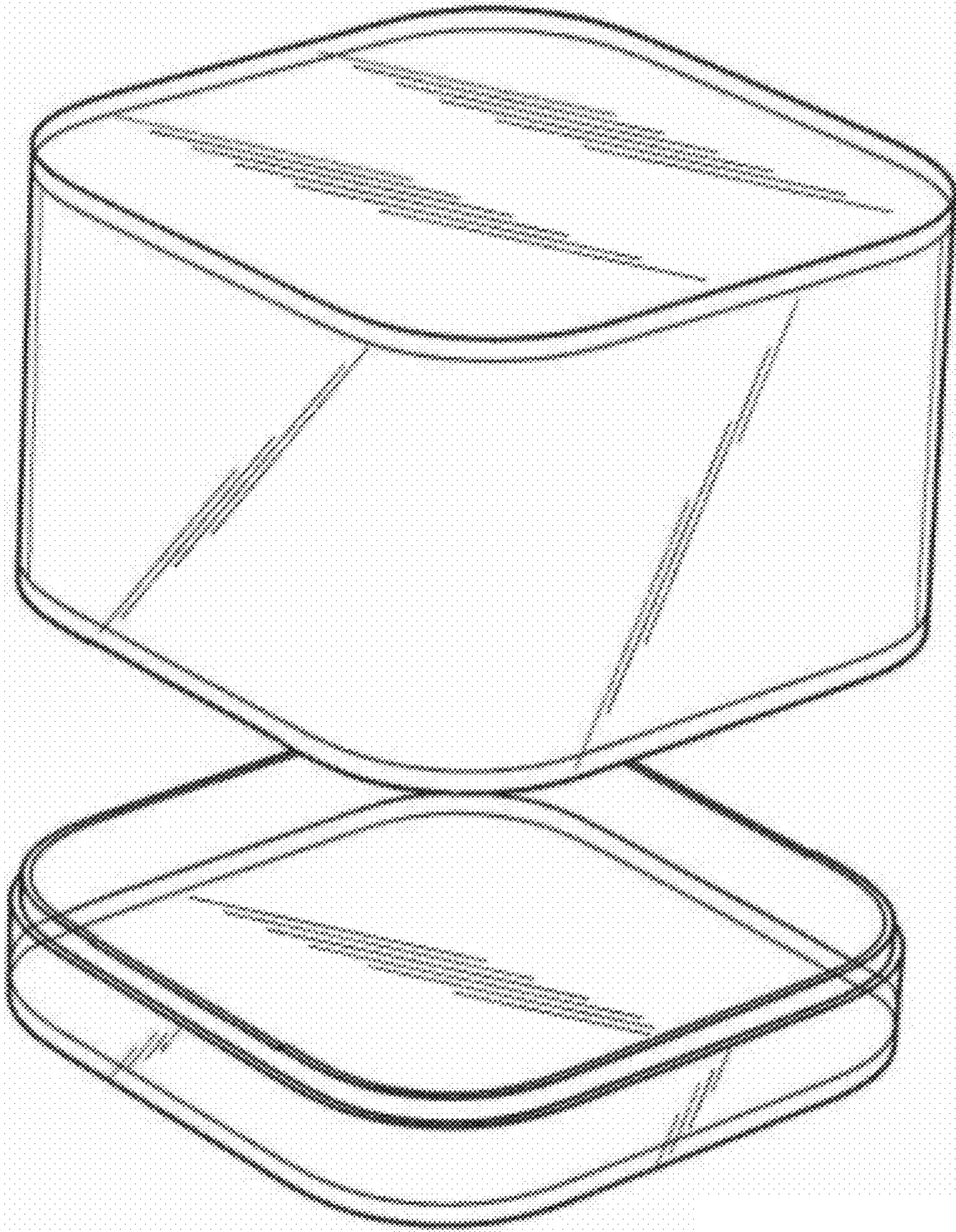


FIG. 20

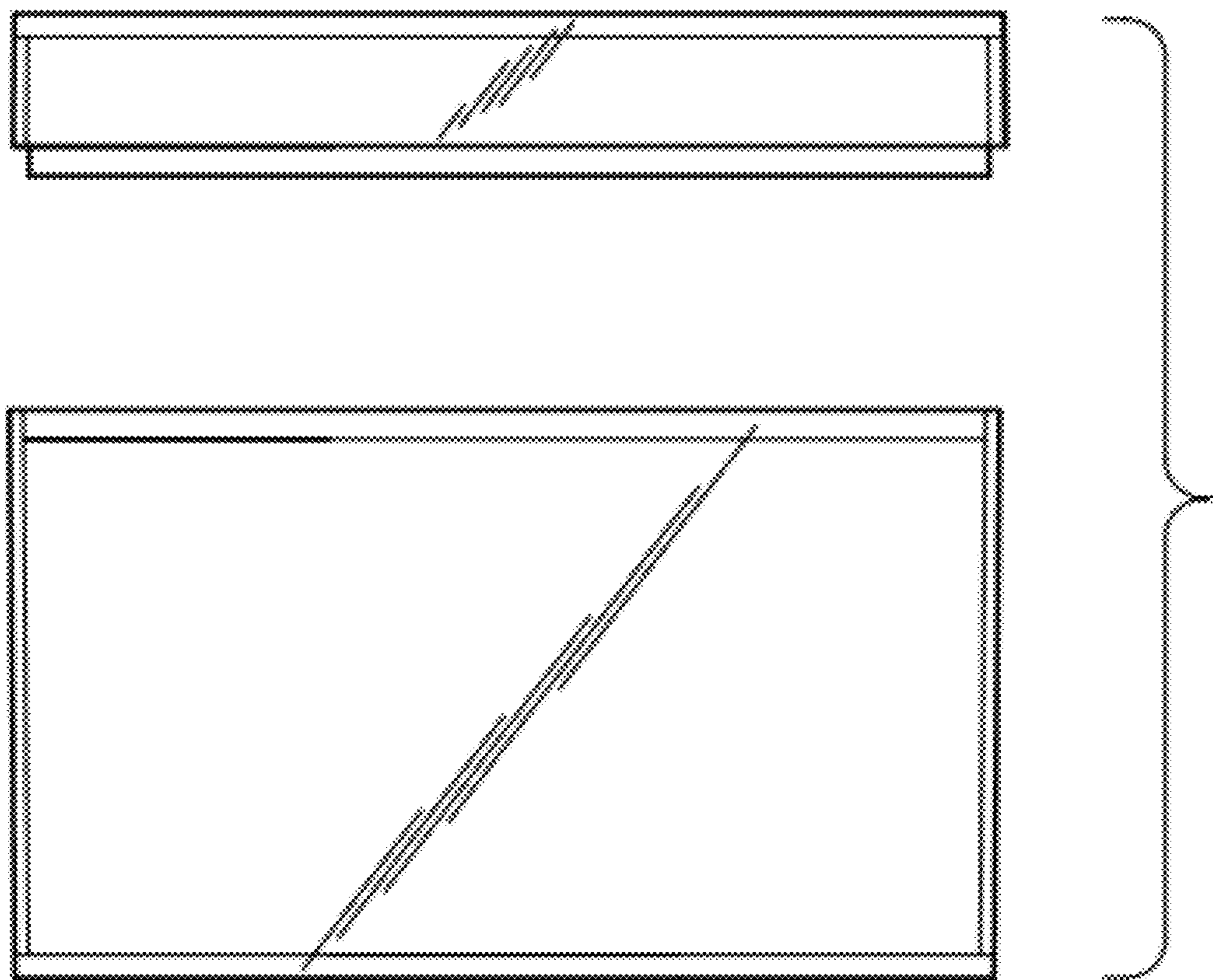


FIG. 21

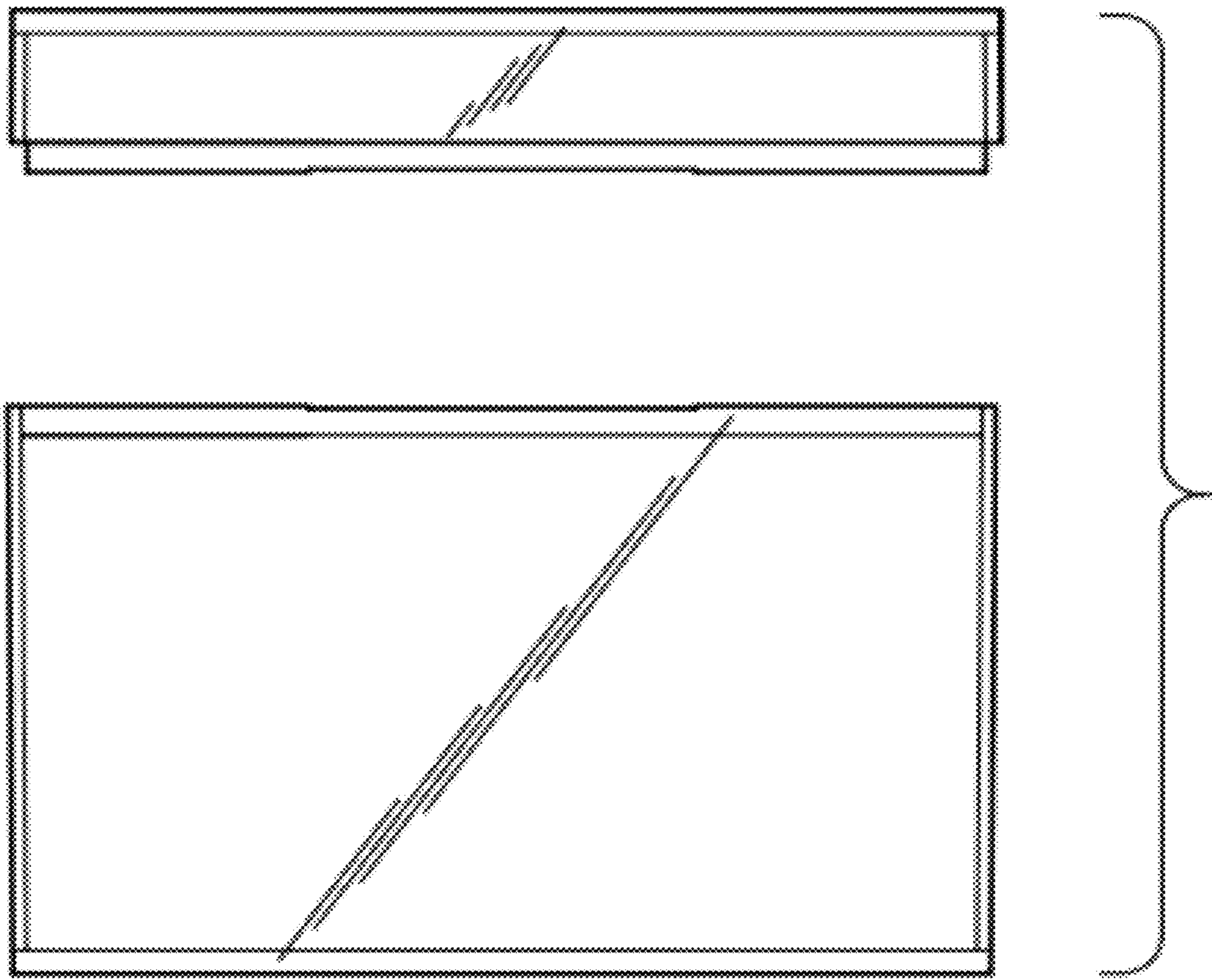


FIG.22