

US00D659529S

(12) **United States Design Patent**  
**Ojanen et al.**

(10) **Patent No.:** **US D659,529 S**

(45) **Date of Patent:** **\*\* May 15, 2012**

(54) **WASHER**

(75) Inventors: **Randall Walter Ojanen**, Bristol, TN  
(US); **Don Carlin Rowlett**, Bedford, PA  
(US)

(73) Assignee: **Kennametal Inc.**, Latrobe, PA (US)

(\*\*) Term: **14 Years**

(21) Appl. No.: **29/402,439**

(22) Filed: **Sep. 23, 2011**

(51) **LOC (9) Cl.** ..... **08-08**

(52) **U.S. Cl.** ..... **D8/399**

(58) **Field of Classification Search** ..... D8/399,  
D8/323, 328, 329, 324, 330, 325, 327, 331,  
D8/336, 353, 338, 334, 57; D16/334; D23/302,  
D23/303; D10/69; D3/903; 4/302, 303;  
16/309, 235, 275, 244, 379, 390, 430, 241,  
16/238, 245, 236, 243, 242, 385, 225, 250  
See application file for complete search history.

(56) **References Cited**

U.S. PATENT DOCUMENTS

2,083,045 A \* 6/1937 Vaurs ..... 411/204  
5,011,351 A \* 4/1991 Terry ..... 411/144  
5,102,275 A \* 4/1992 Hulsey ..... 411/134

5,890,857 A \* 4/1999 Herrera ..... 411/11  
6,019,434 A 2/2000 Emmerich  
7,192,232 B2 \* 3/2007 Esser ..... 411/161  
7,413,257 B2 8/2008 Ojanen  
D602,349 S \* 10/2009 Andersson ..... D8/399  
D631,336 S \* 1/2011 Toumei ..... D8/399  
D654,348 S \* 2/2012 Musselman ..... D8/349  
2011/0109148 A1 5/2011 Monyak et al.

\* cited by examiner

*Primary Examiner* — Cynthia Underwood

(74) *Attorney, Agent, or Firm* — Matthew W. Smith

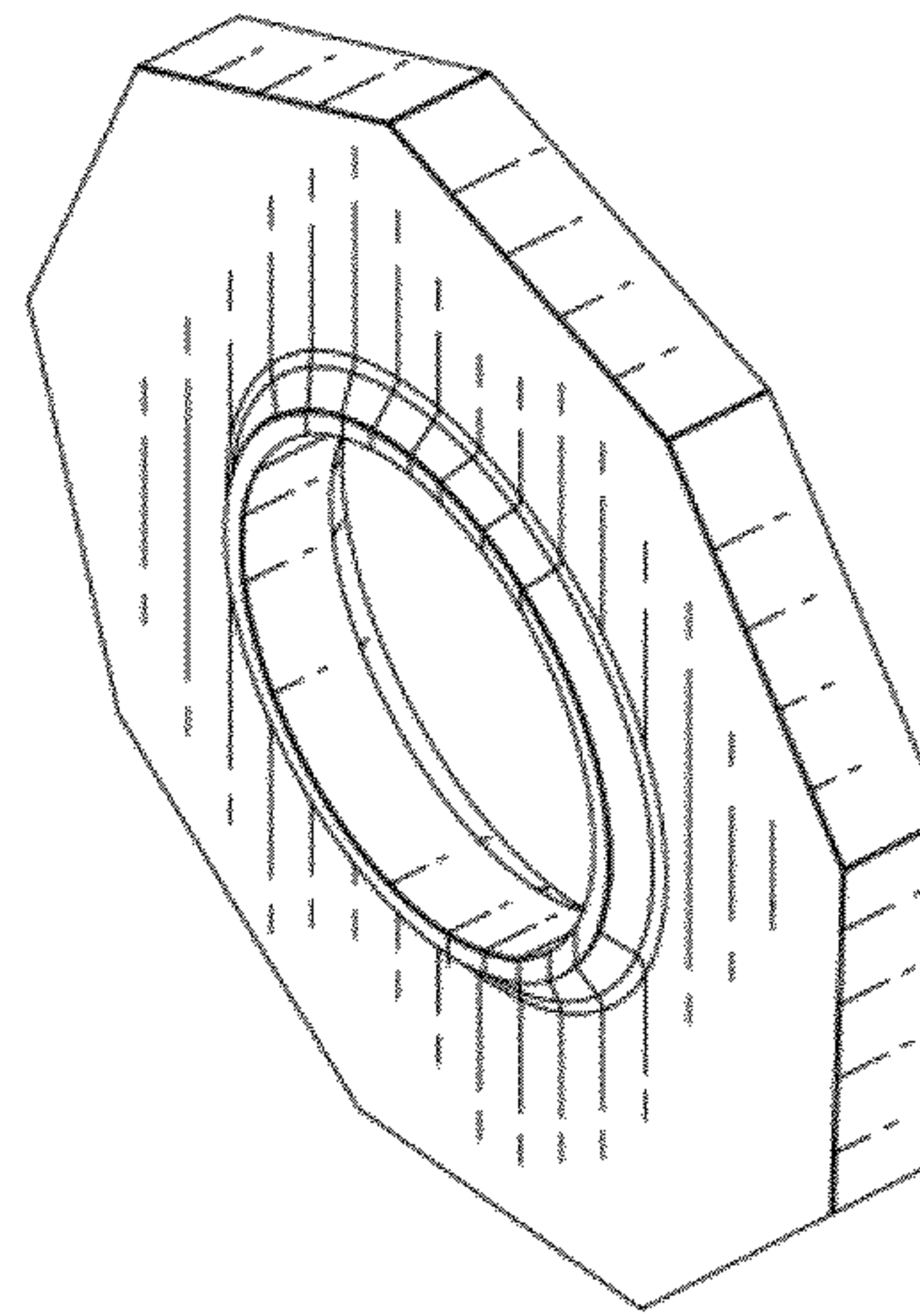
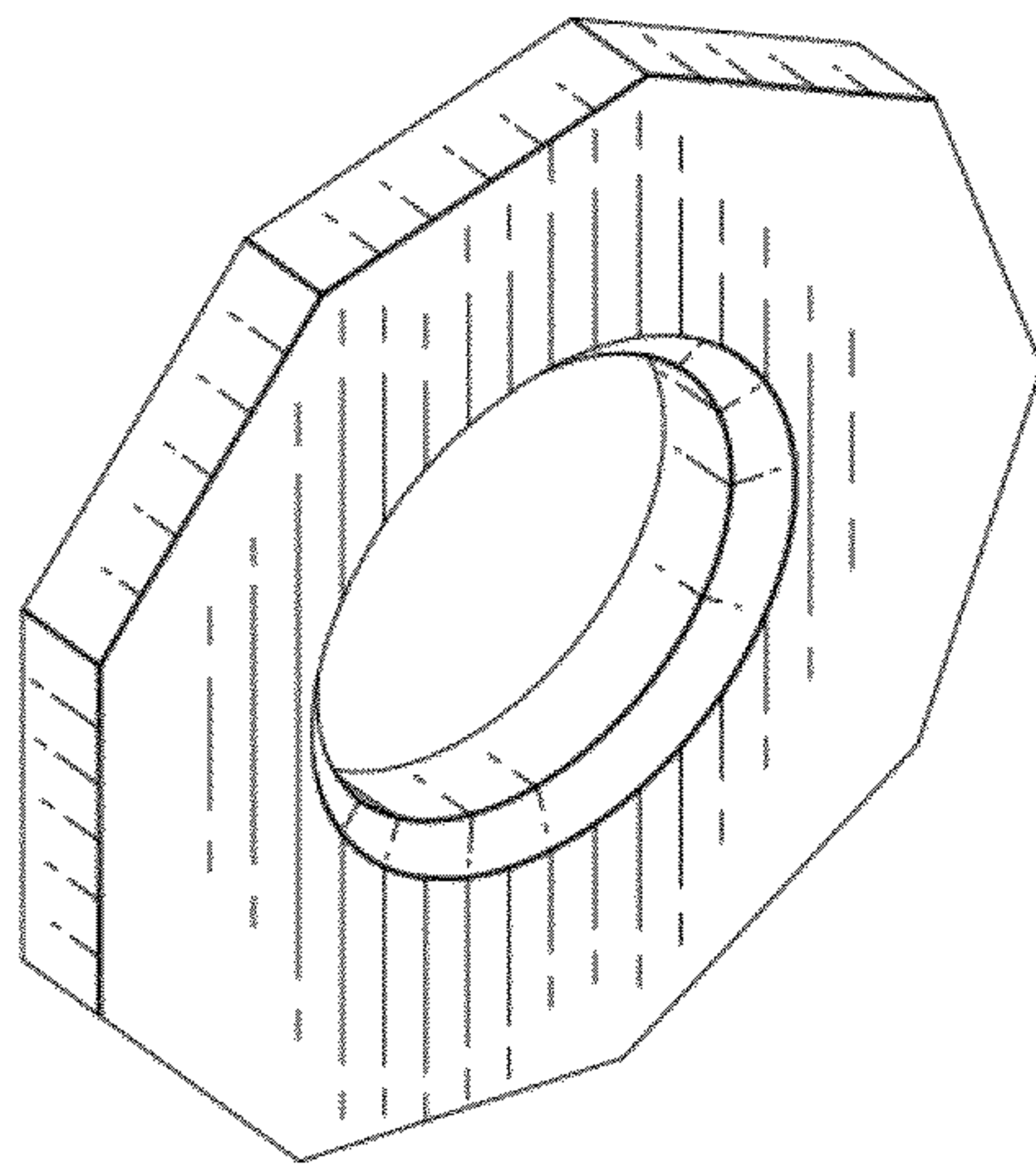
(57) **CLAIM**

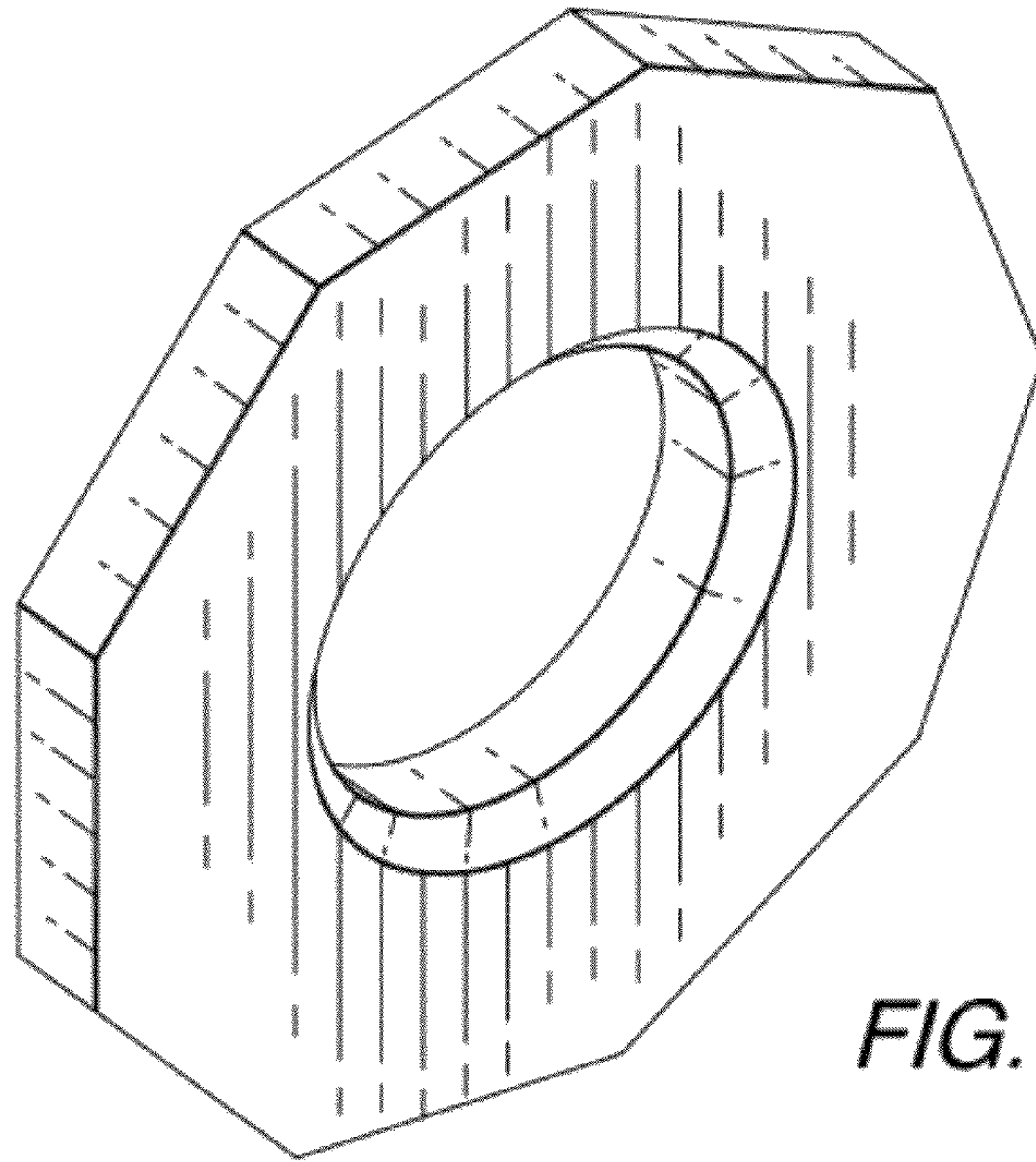
The ornamental design for a washer, as shown and described.

**DESCRIPTION**

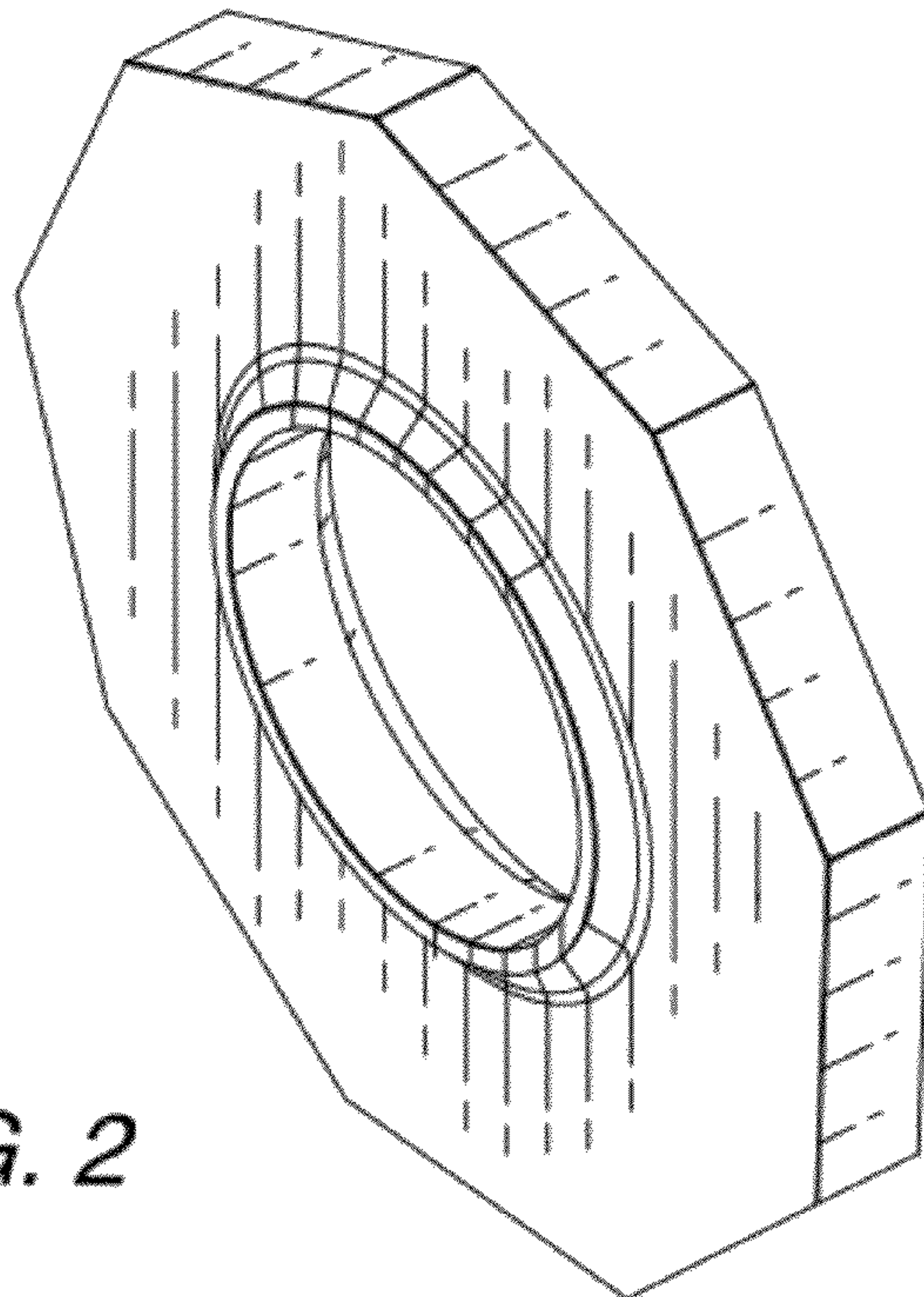
FIG. 1 is an isometric top view of the washer.  
FIG. 2 is an isometric bottom view of the washer.  
FIG. 3 is a top view of the washer illustrated in FIGS. 1 and 2.  
FIG. 4 is a bottom view of the washer illustrated in FIGS. 1 and 2.  
FIG. 5 is a front side view of the washer illustrated in FIGS. 1 and 2.  
FIG. 6 is a rear view of the washer illustrated in FIGS. 1 and 2.  
FIG. 7 is a right side view of the washer illustrated in FIGS. 1 and 2; and,  
FIG. 8 is a left side view of the washer illustrated in FIGS. 1 and 2.

**1 Claim, 2 Drawing Sheets**





*FIG. 1*



*FIG. 2*



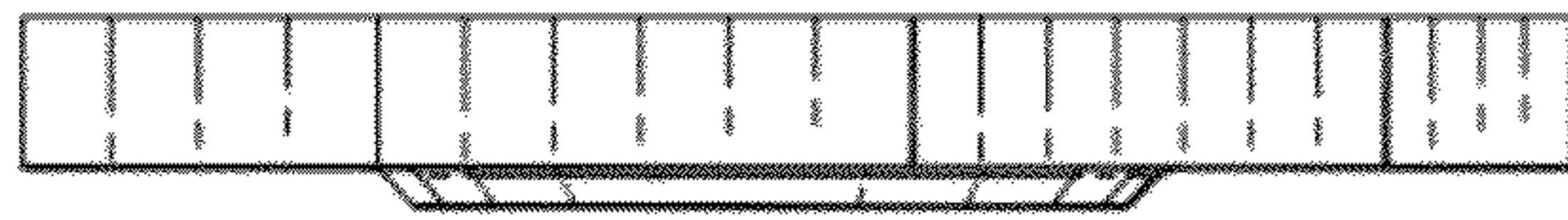


FIG. 6

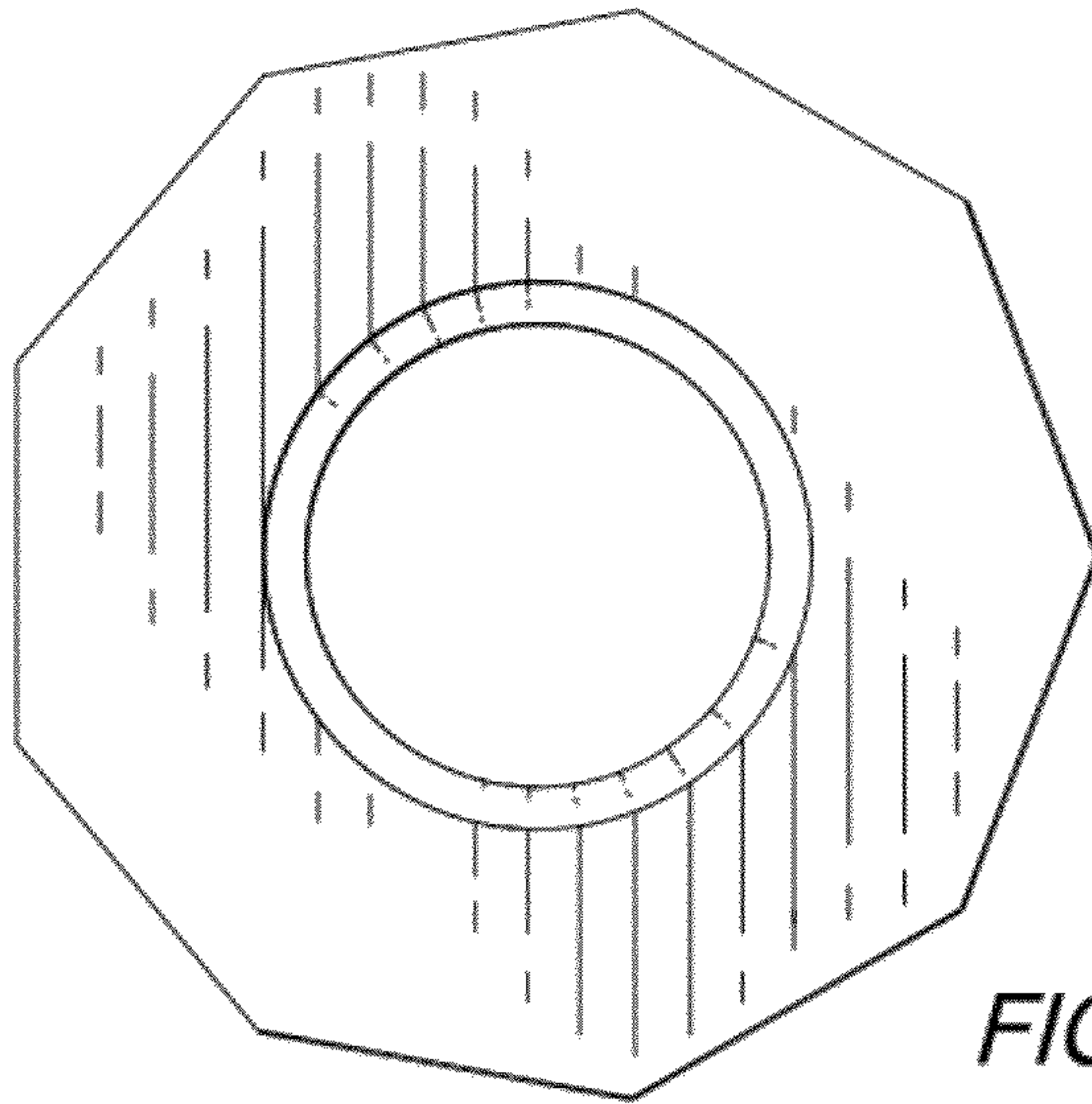


FIG. 3

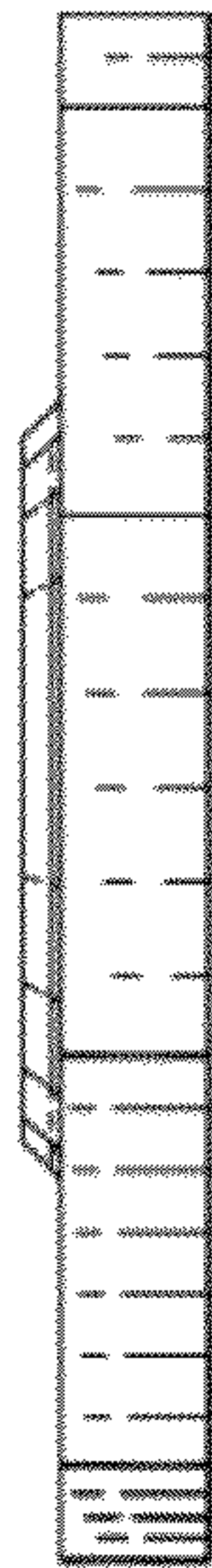


FIG. 8

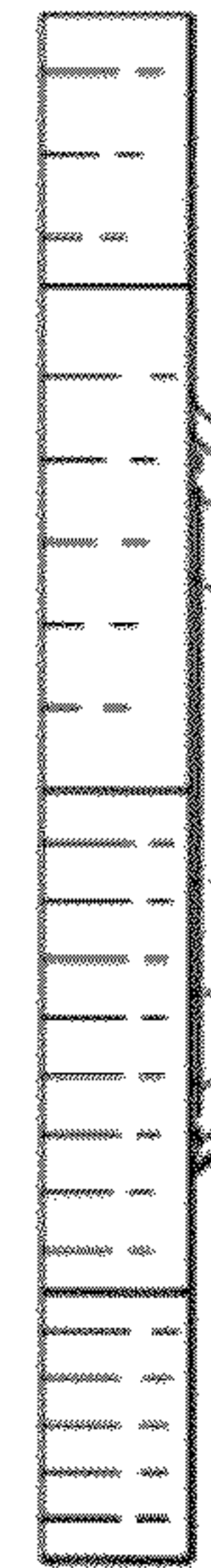


FIG. 7



FIG. 5

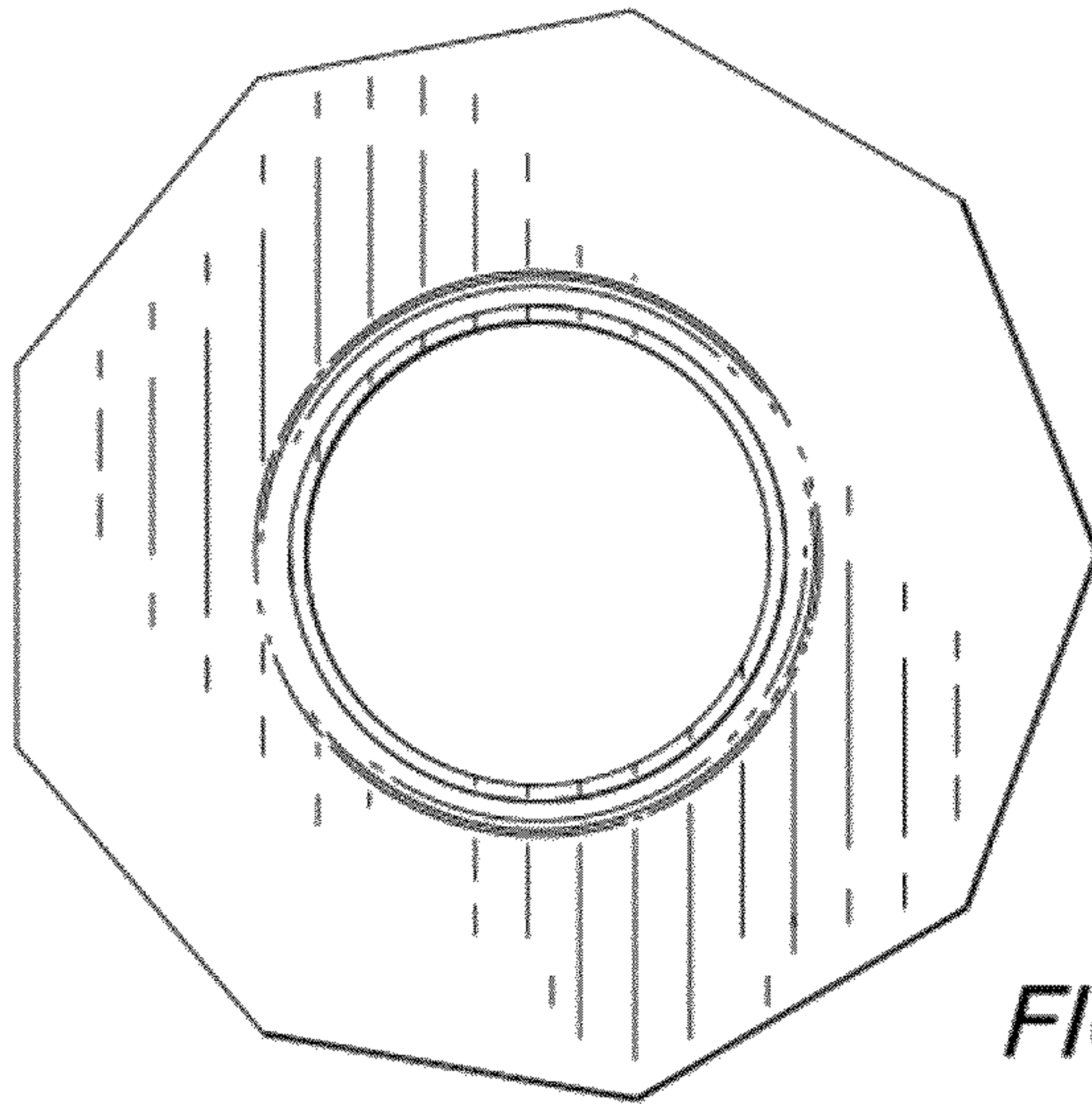


FIG. 4