



US00D659528S

(12) **United States Design Patent**  
**Guo**

(10) **Patent No.:** **US D659,528 S**

(45) **Date of Patent:** **\*\* May 15, 2012**

(54) **HAND RAIL BEARING**

(76) Inventor: **James J. Guo**, Gambrills, MD (US)

(\*\*) Term: **14 Years**

(21) Appl. No.: **29/403,199**

(22) Filed: **Oct. 3, 2011**

(51) **LOC (9) Cl.** ..... **08-08**

(52) **U.S. Cl.** ..... **D8/397**

(58) **Field of Classification Search** ..... D8/397,  
D8/394, 382, 349, 399, 356, 363, 352; 403/291,  
403/309, 300, 301, 310, 311, 403; 411/427,  
411/429, 432, 918, 180; 429/178, 121; 439/766  
See application file for complete search history.

(56) **References Cited**

**U.S. PATENT DOCUMENTS**

D310,185 S \* 8/1990 Tick ..... D11/182  
6,644,582 B1 \* 11/2003 Liao ..... 242/378.1  
D497,540 S \* 10/2004 Watabe et al. .... D8/383  
D535,869 S \* 1/2007 Brunsteter ..... D8/382

D583,224 S \* 12/2008 Holdsworth ..... D8/382  
D622,581 S \* 8/2010 Caggiano ..... D8/382  
D653,164 S \* 1/2012 Dunn ..... D11/184

\* cited by examiner

*Primary Examiner* — Cynthia Underwood

(74) *Attorney, Agent, or Firm* — Laubscher & Laubscher,  
P.C.

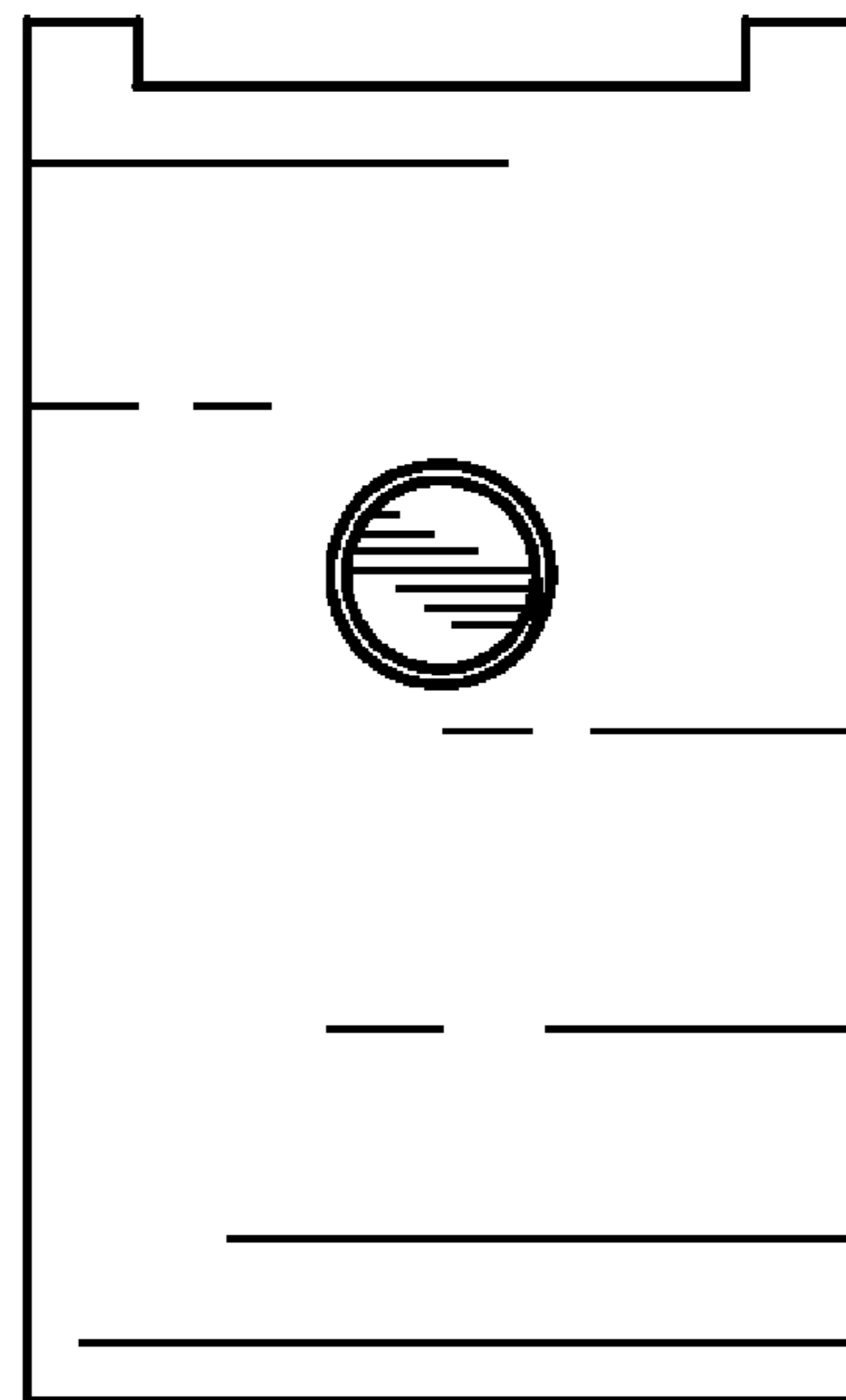
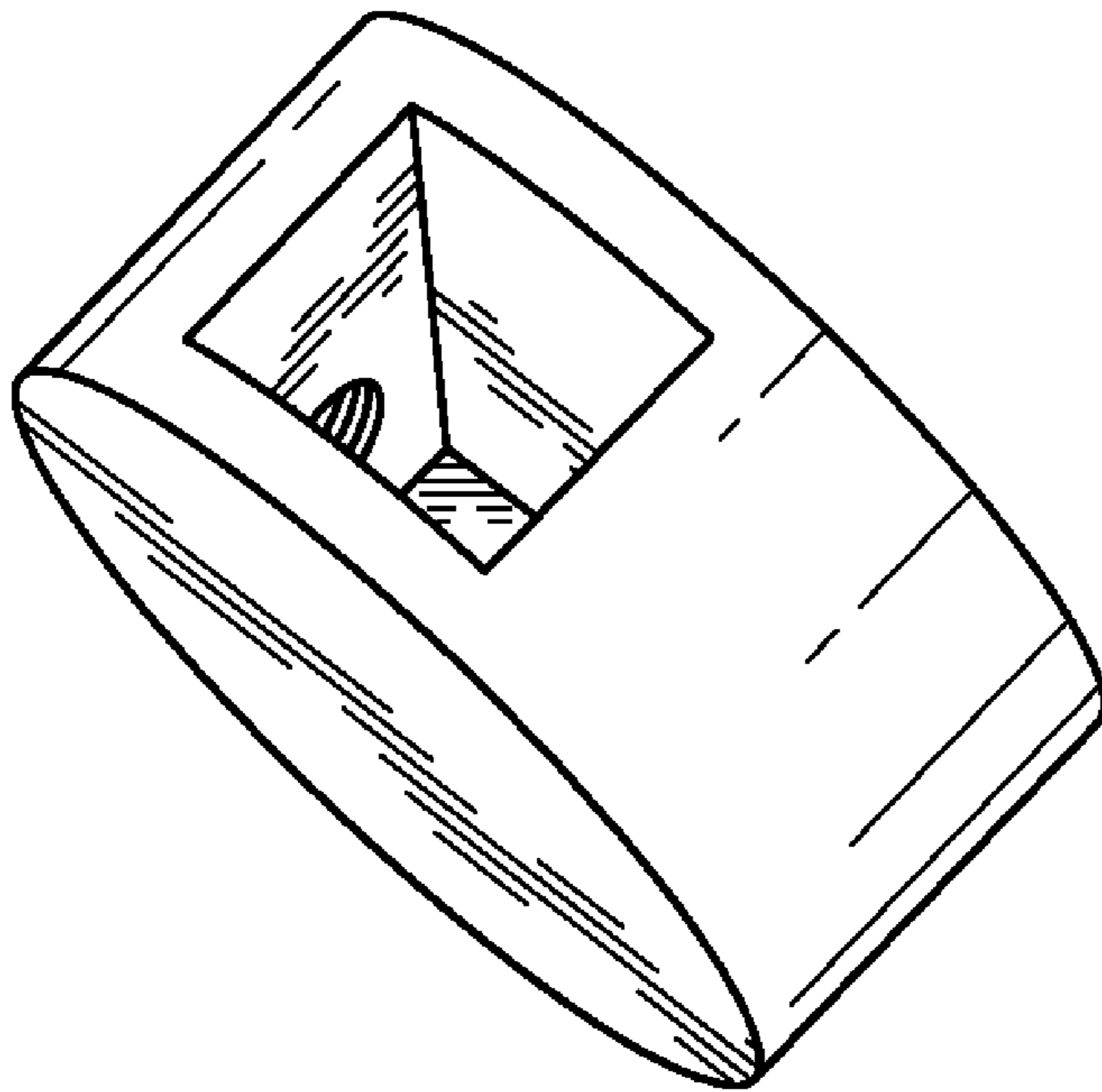
(57) **CLAIM**

The ornamental design for a hand rail bearing, as shown.

**DESCRIPTION**

FIG. 1 is a top perspective view of the invention illustrating my design;  
FIG. 2 is a bottom perspective view of the thereof;  
FIG. 3 is a left side elevation view thereof;  
FIG. 4 is a front elevation view thereof;  
FIG. 5 is a right side elevation thereof;  
FIG. 6 is a top elevation view of thereof; and,  
FIG. 7 is a bottom elevation view thereof.

**1 Claim, 1 Drawing Sheet**



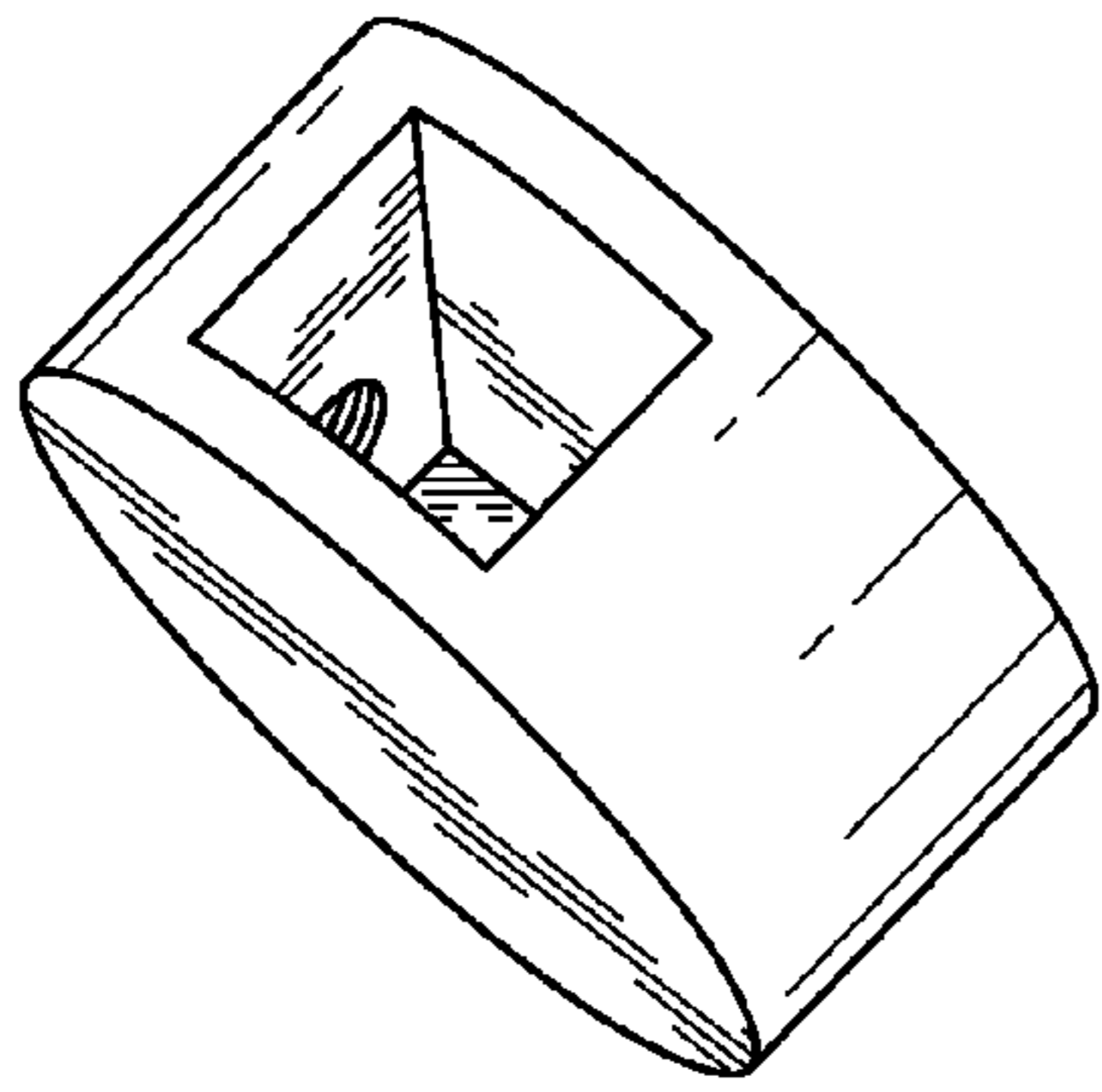


FIG. 1

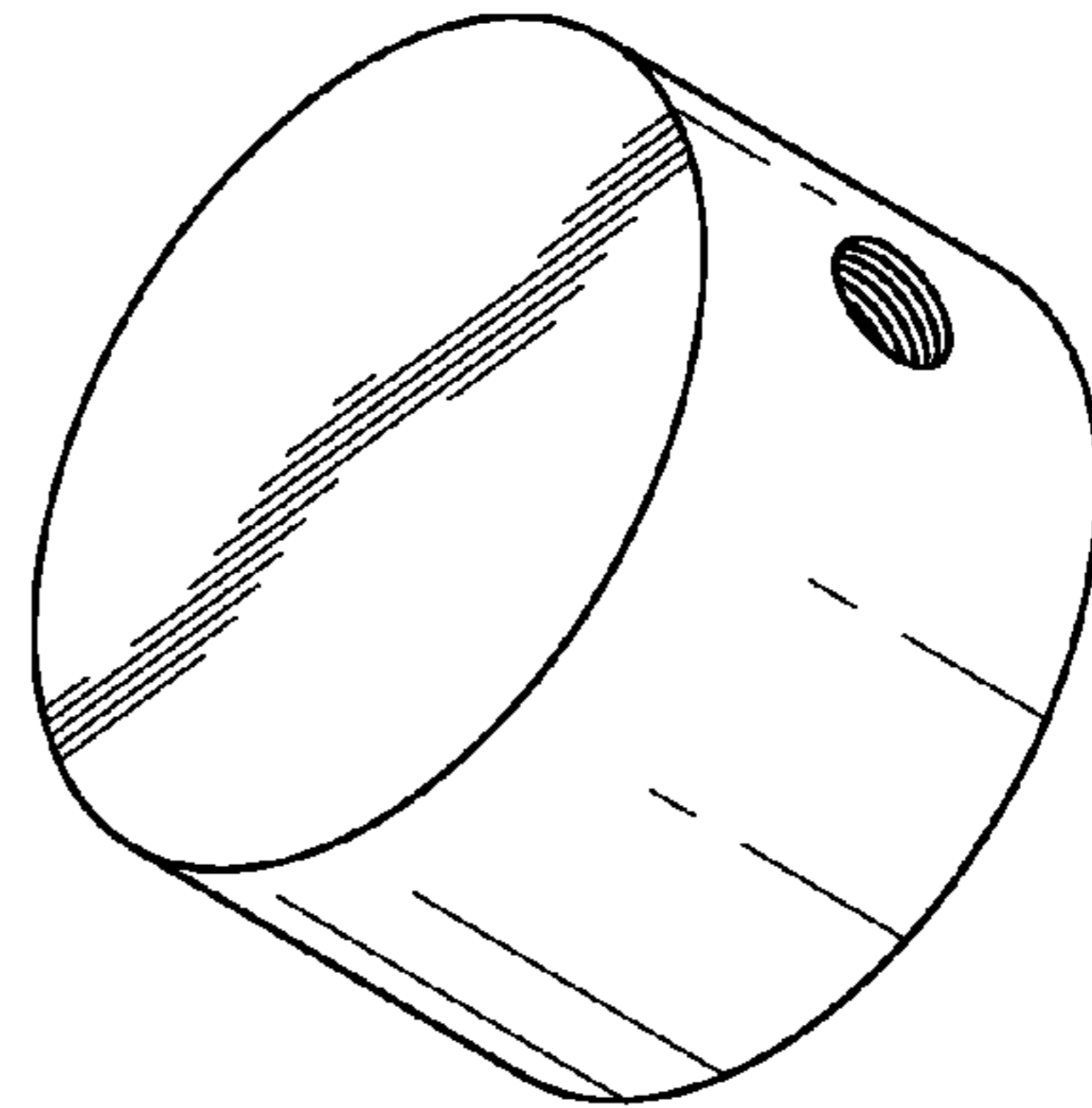


FIG. 2

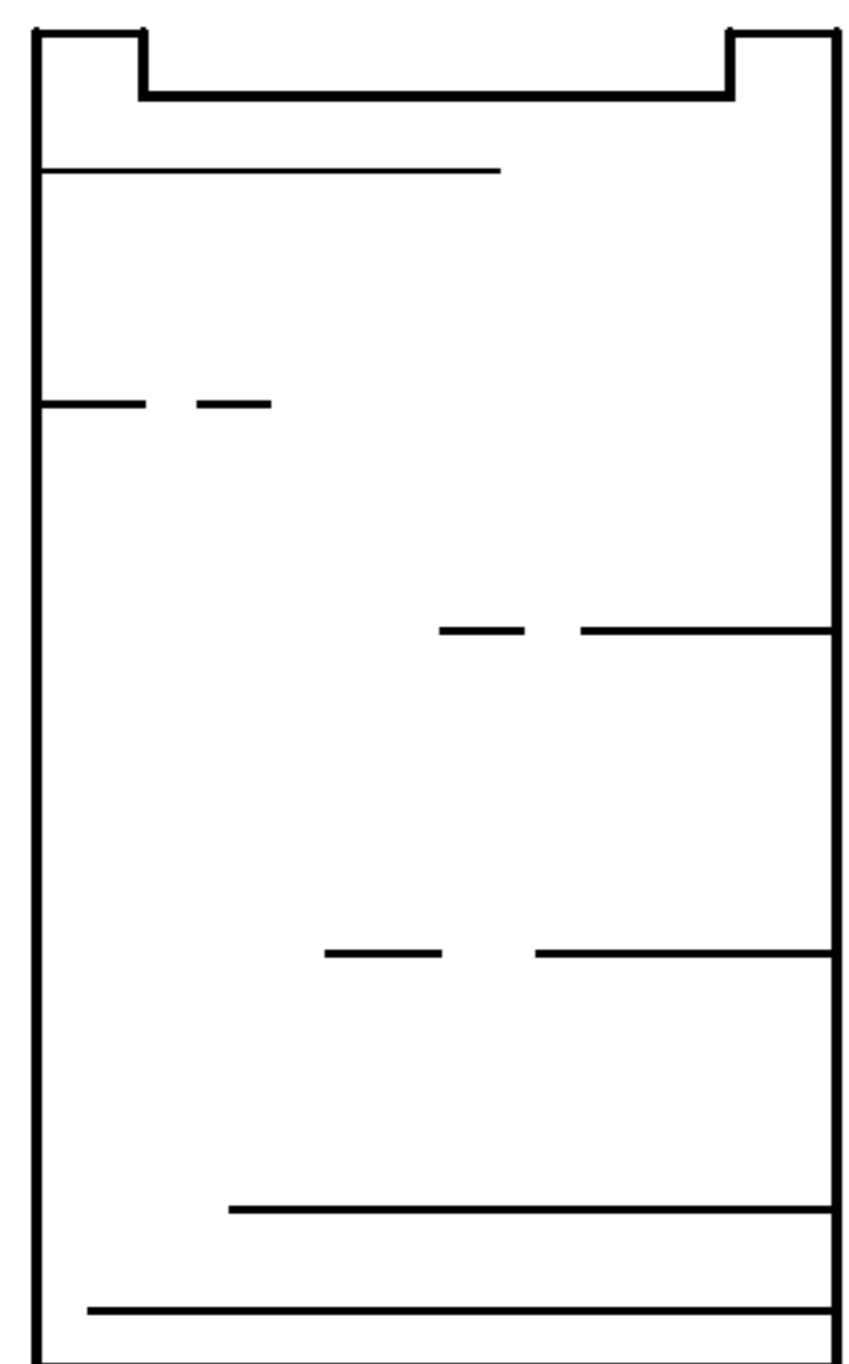


FIG. 3

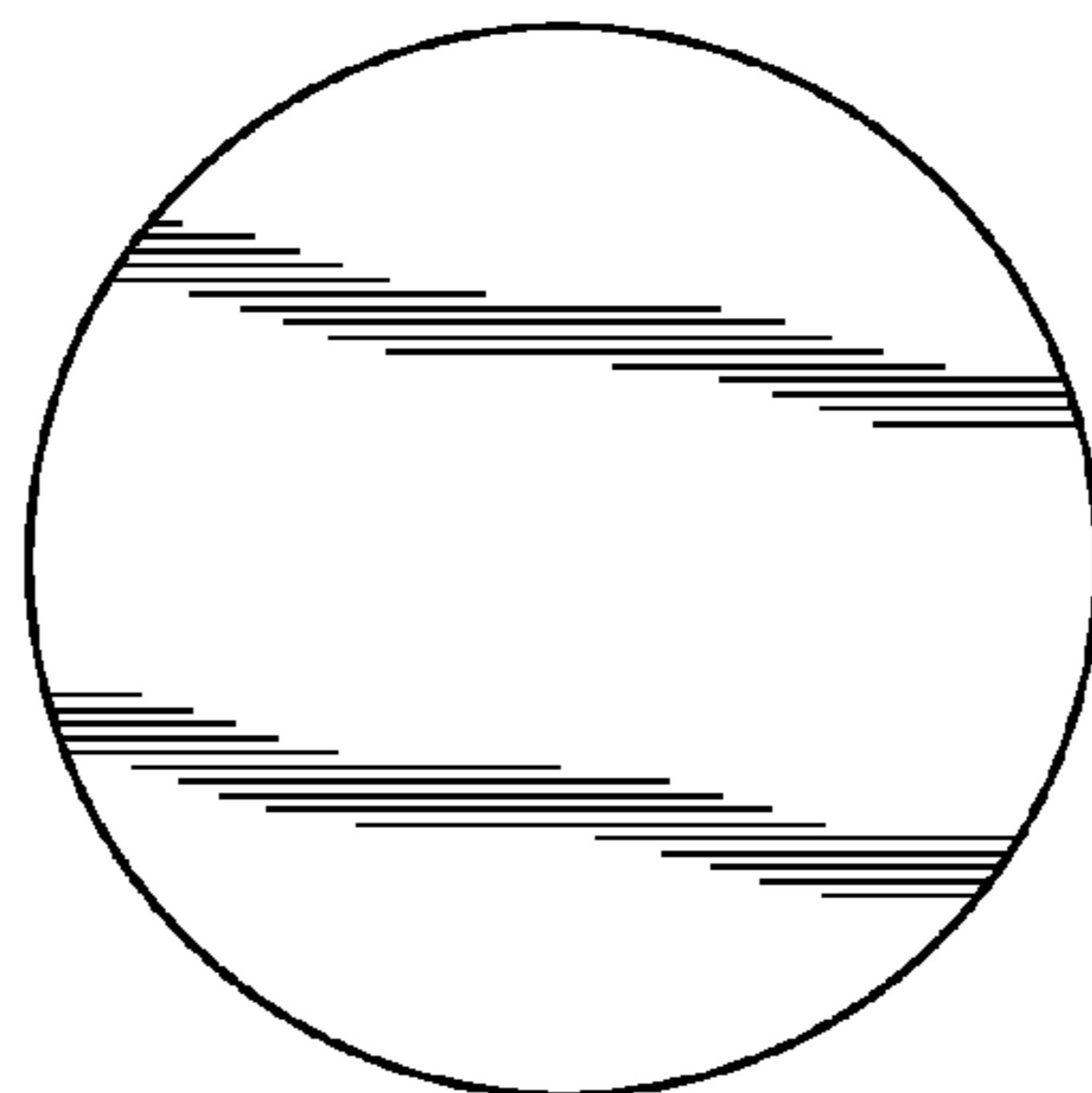


FIG. 4

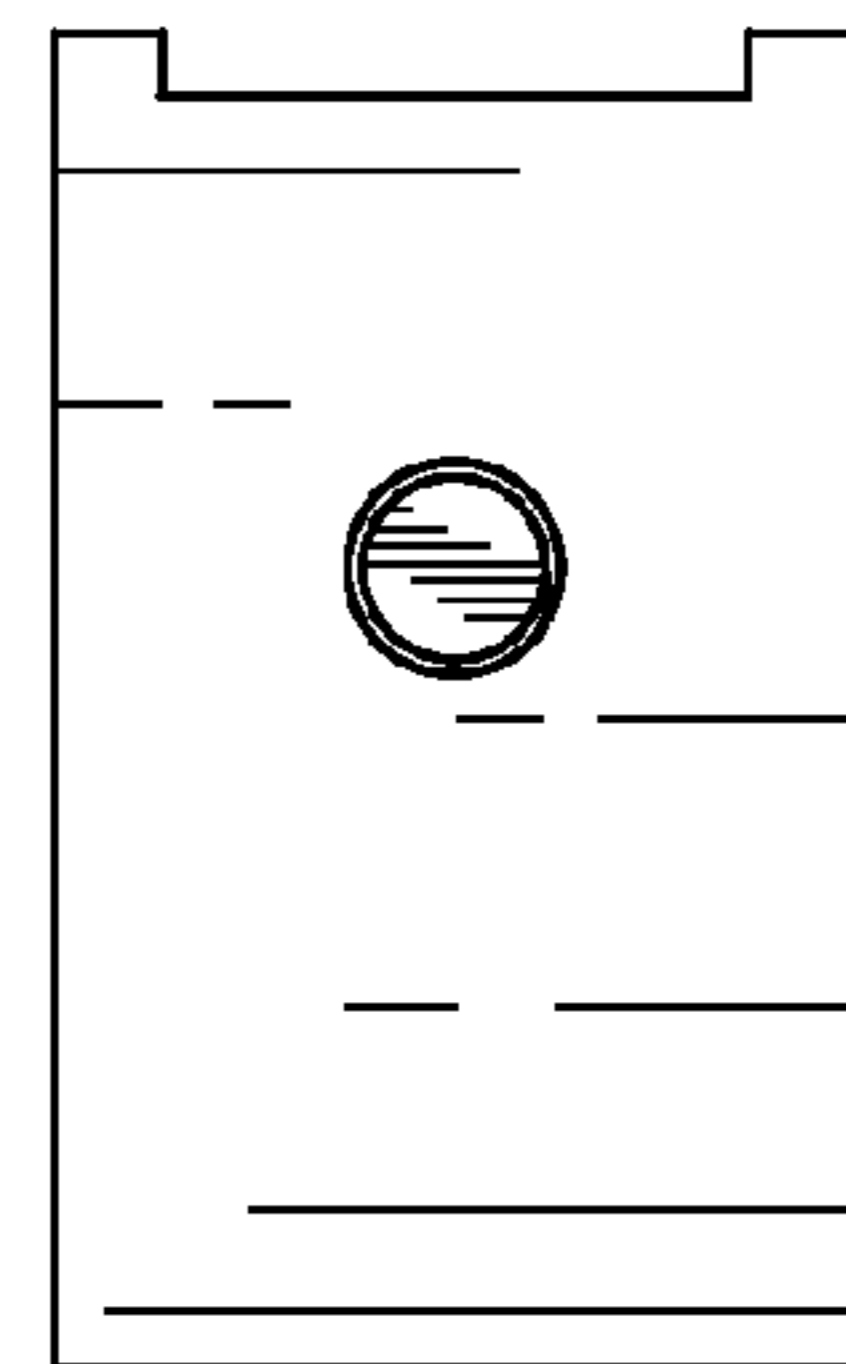


FIG. 5

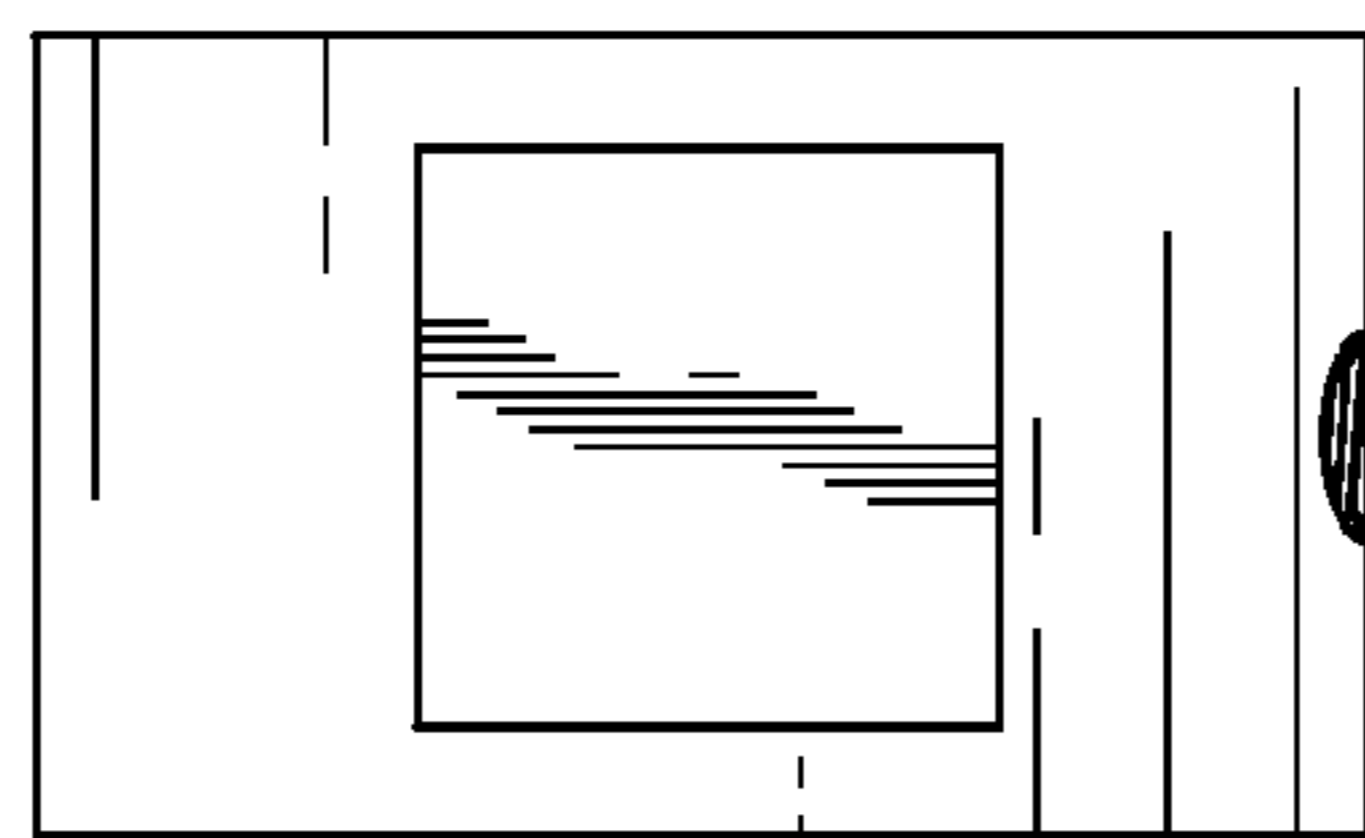


FIG. 6

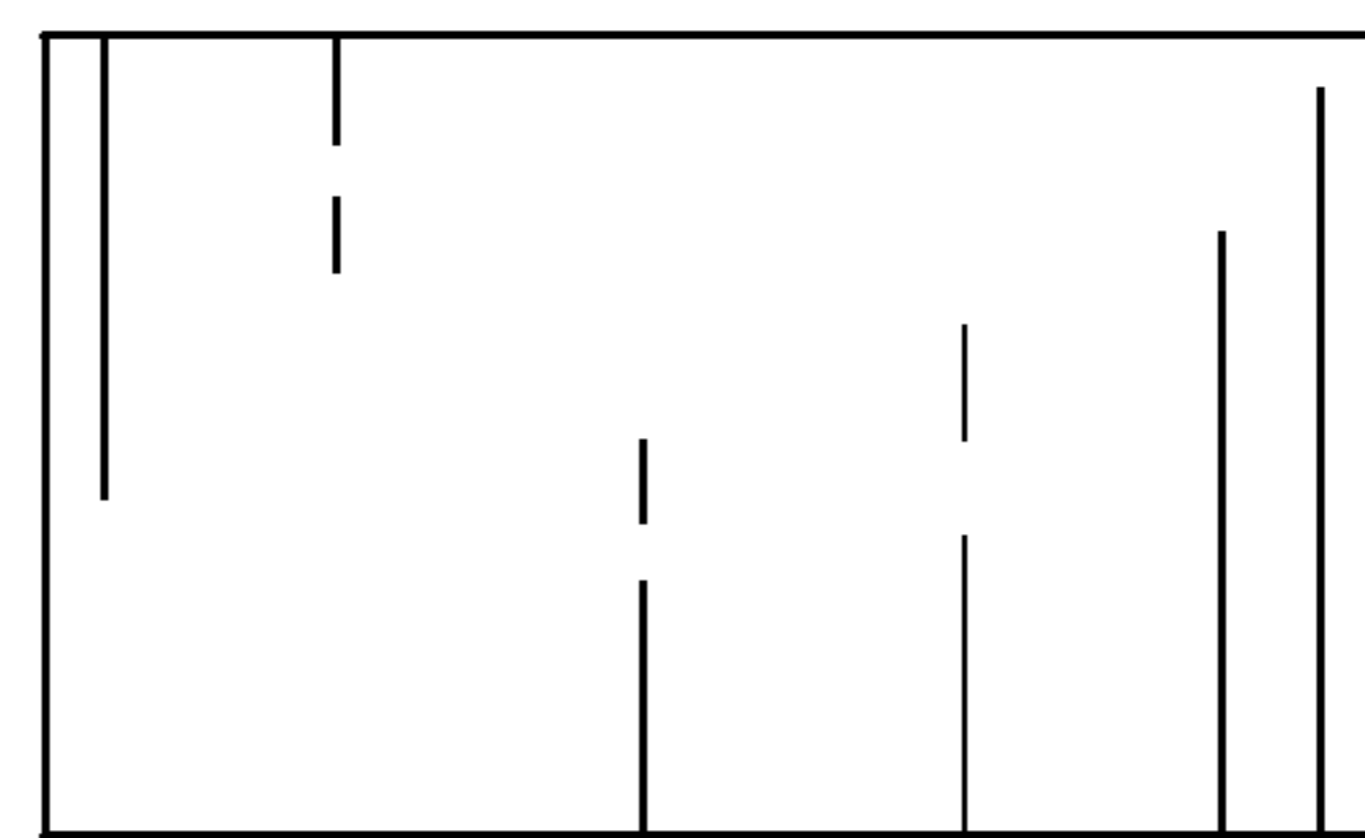


FIG. 7