



US00D659524S

(12) **United States Design Patent**
Kawaguchi

(10) **Patent No.:** **US D659,524 S**
(45) **Date of Patent:** **** May 15, 2012**

(54) **CORD LOCK**

(75) Inventor: **Gaku Kawaguchi**, Yokohama (JP)

(73) Assignee: **Nifco Inc.**, Yokohama, Kanagawa (JP)

(**) Term: **14 Years**

(21) Appl. No.: **29/371,218**

(22) Filed: **Nov. 30, 2010**

(30) **Foreign Application Priority Data**

Jun. 2, 2010 (JP) 2010-013621

(51) **LOC (9) Cl.** **08-08**

(52) **U.S. Cl.** **D8/383**

(58) **Field of Classification Search** D8/383,
D8/356, 394-396; 24/115 G, 112, 115 R,
24/136 R, 115 M; D2/978; D11/212, 215
See application file for complete search history.

(56) **References Cited**

U.S. PATENT DOCUMENTS

D551,067 S *	9/2007	Kawamura	D8/383
D560,477 S *	1/2008	Yoshie et al.	D8/383
D560,478 S *	1/2008	Yoshie et al.	D8/383
D560,479 S *	1/2008	Yoshie et al.	D8/383
D615,391 S *	5/2010	Kawaguchi	D8/383
D630,090 S *	1/2011	Ishii et al.	D8/383
D633,378 S *	3/2011	Chan	D8/383

* cited by examiner

Primary Examiner — Sheryl Lane

(74) *Attorney, Agent, or Firm* — Manabu Kanesaka

(57) **CLAIM**

The ornamental design for a cord lock, as shown and described.

DESCRIPTION

FIG. 1 is a plan view of a cord lock showing my new design;
 FIG. 2 is a bottom view thereof;
 FIG. 3 is a front view thereof;
 FIG. 4 is a rear view thereof;
 FIG. 5 is a left side view thereof;
 FIG. 6 is a right side view thereof;
 FIG. 7 is a cross-sectional view taken along line 7-7 in FIG. 1 thereof;
 FIG. 8 is a cross-sectional view taken along line 8-8 in FIG. 1 thereof;
 FIG. 9 is a plan view of female member;
 FIG. 10 is a bottom view thereof;
 FIG. 11 is a front view thereof; a rear view being symmetrical to the front view;
 FIG. 12 is a right side view thereof; a left side view being symmetrical to the right side view;
 FIG. 13 is a cross-sectional view taken along line 13-13 in FIG. 9 thereof;
 FIG. 14 is a cross-sectional view taken along line 14-14 in FIG. 9 thereof;
 FIG. 15 is a plan view of male member;
 FIG. 16 is a bottom view thereof;
 FIG. 17 is a front view thereof; a rear view being symmetrical to the front view;
 FIG. 18 is a right side view thereof; a left side view being symmetrical to the right side view;
 FIG. 19 is a cross-sectional view taken along line 19-19 in FIG. 15 thereof; and,
 FIG. 20 is a cross-sectional view taken along line 20-20 in FIG. 15 thereof.
 FIGS. 9-20 are shown separated for ease of illustration.

1 Claim, 7 Drawing Sheets

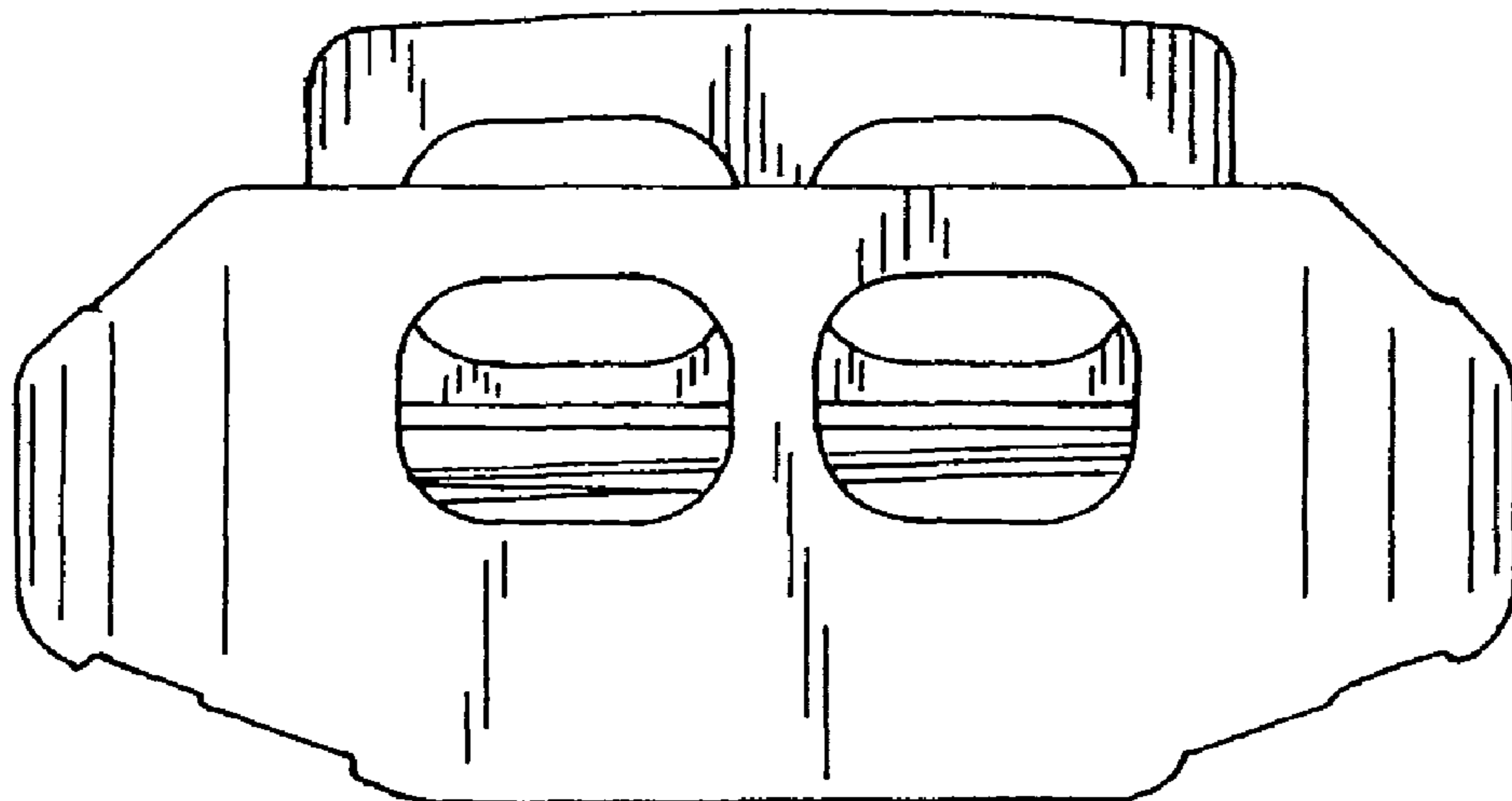


Fig. 1

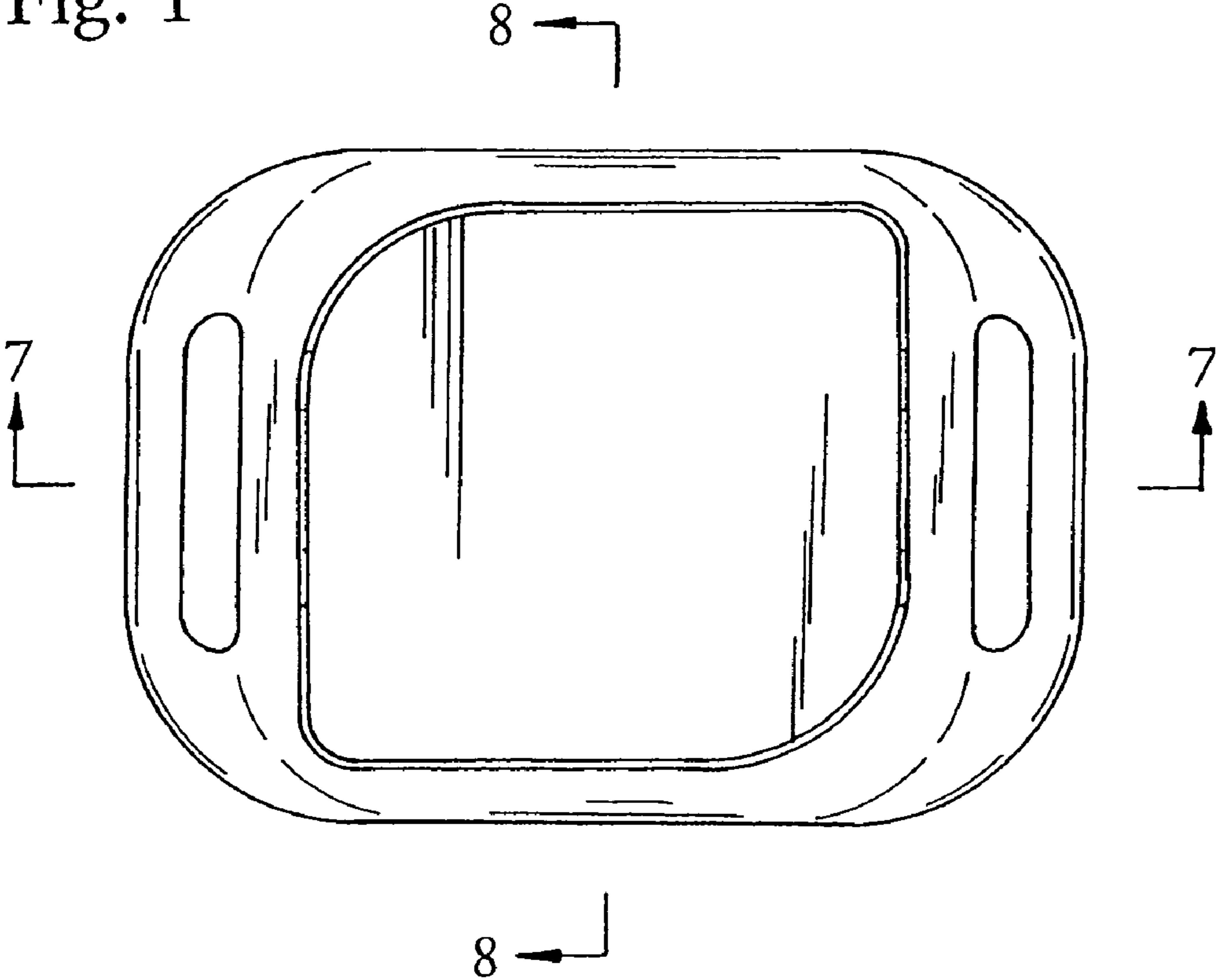


Fig. 2

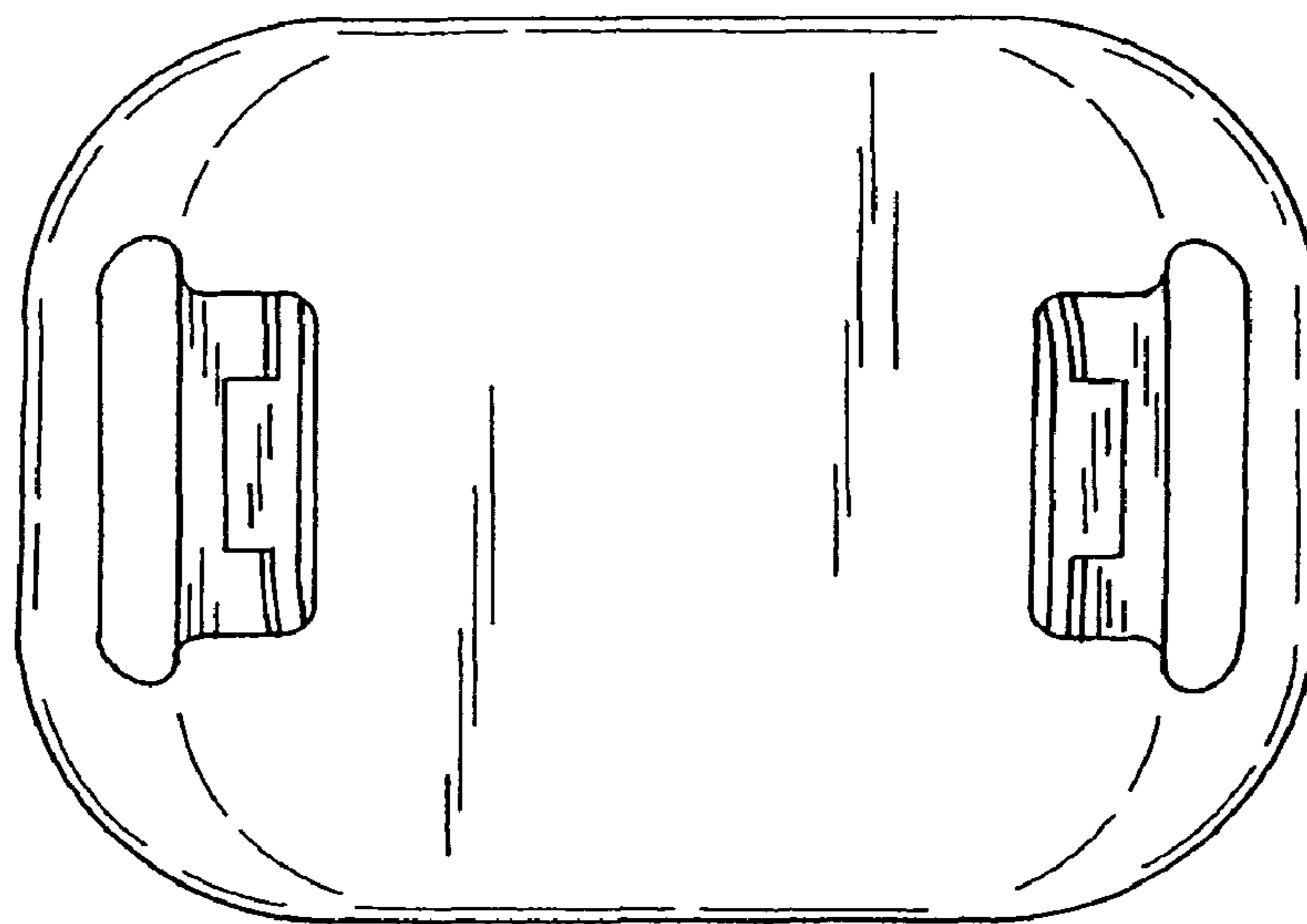


Fig. 3

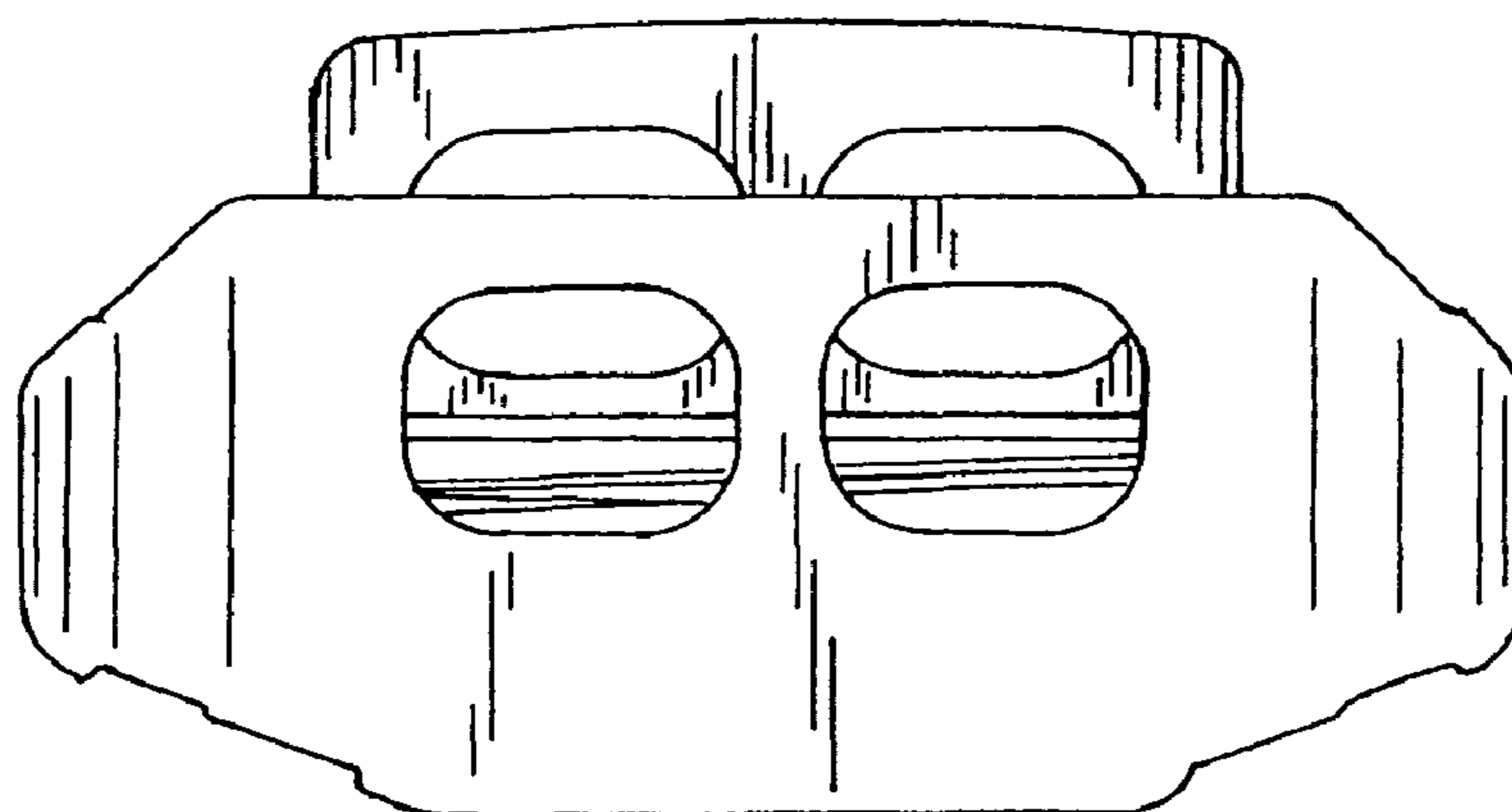


Fig. 4

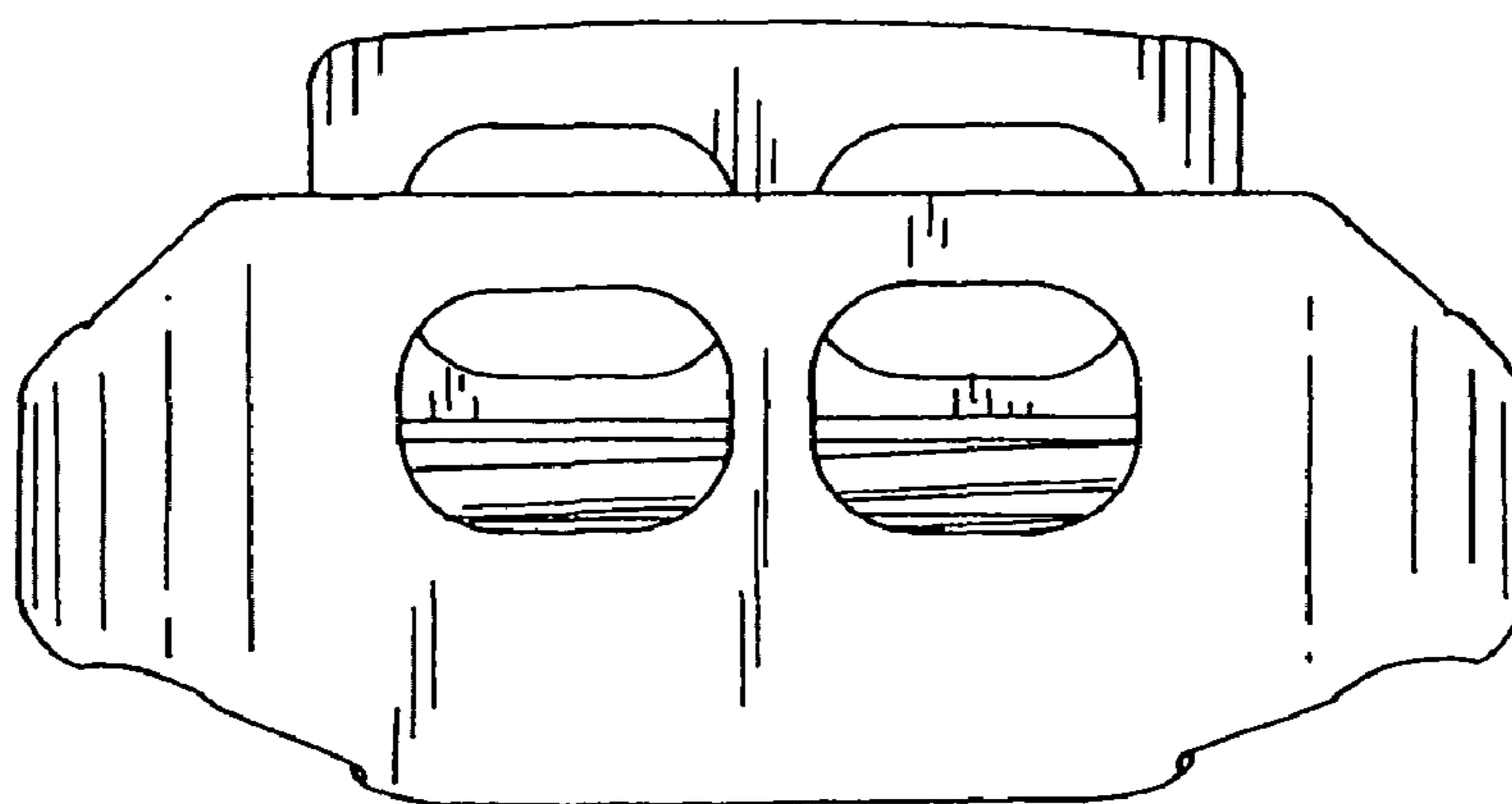


Fig. 5

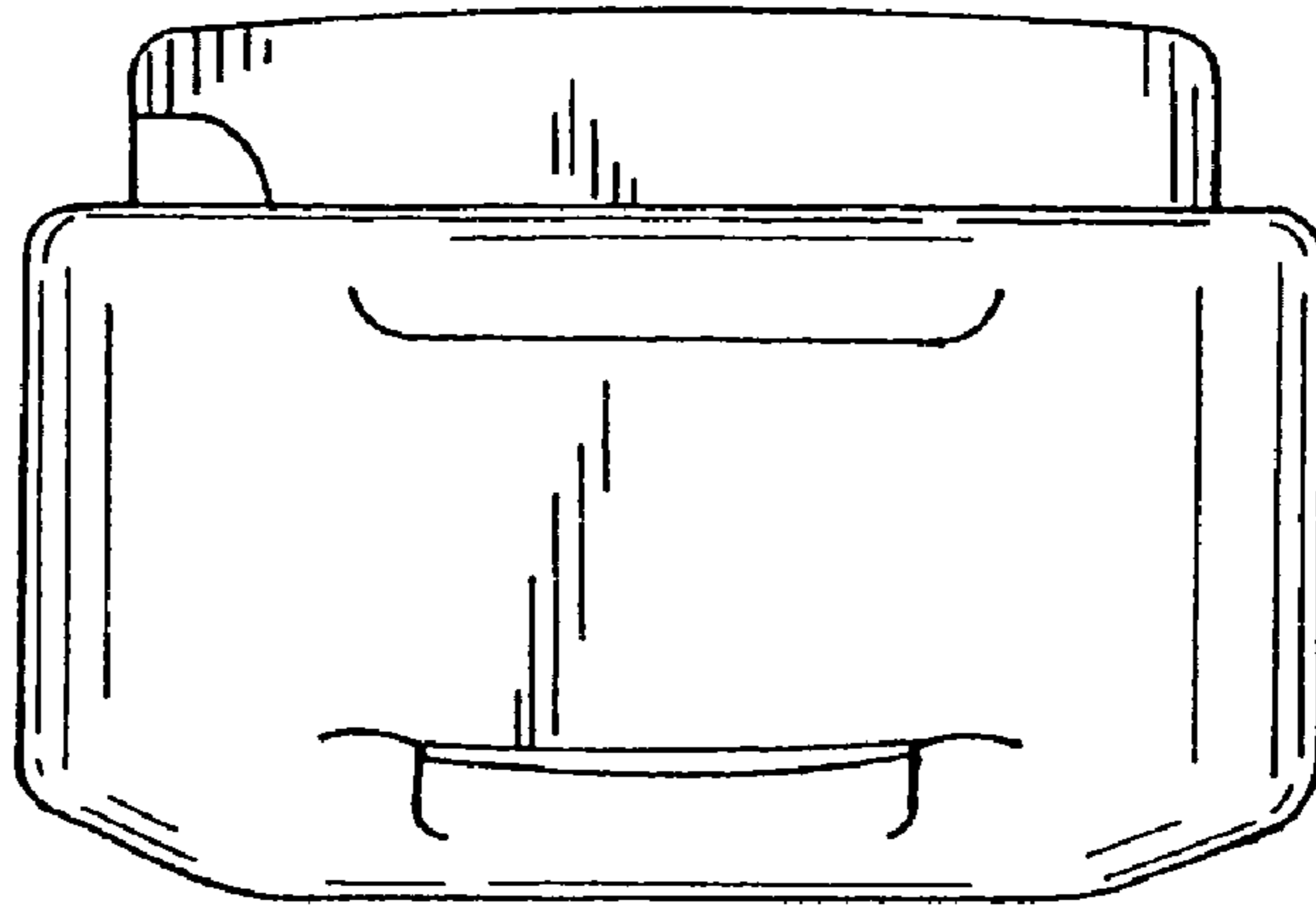


Fig. 6

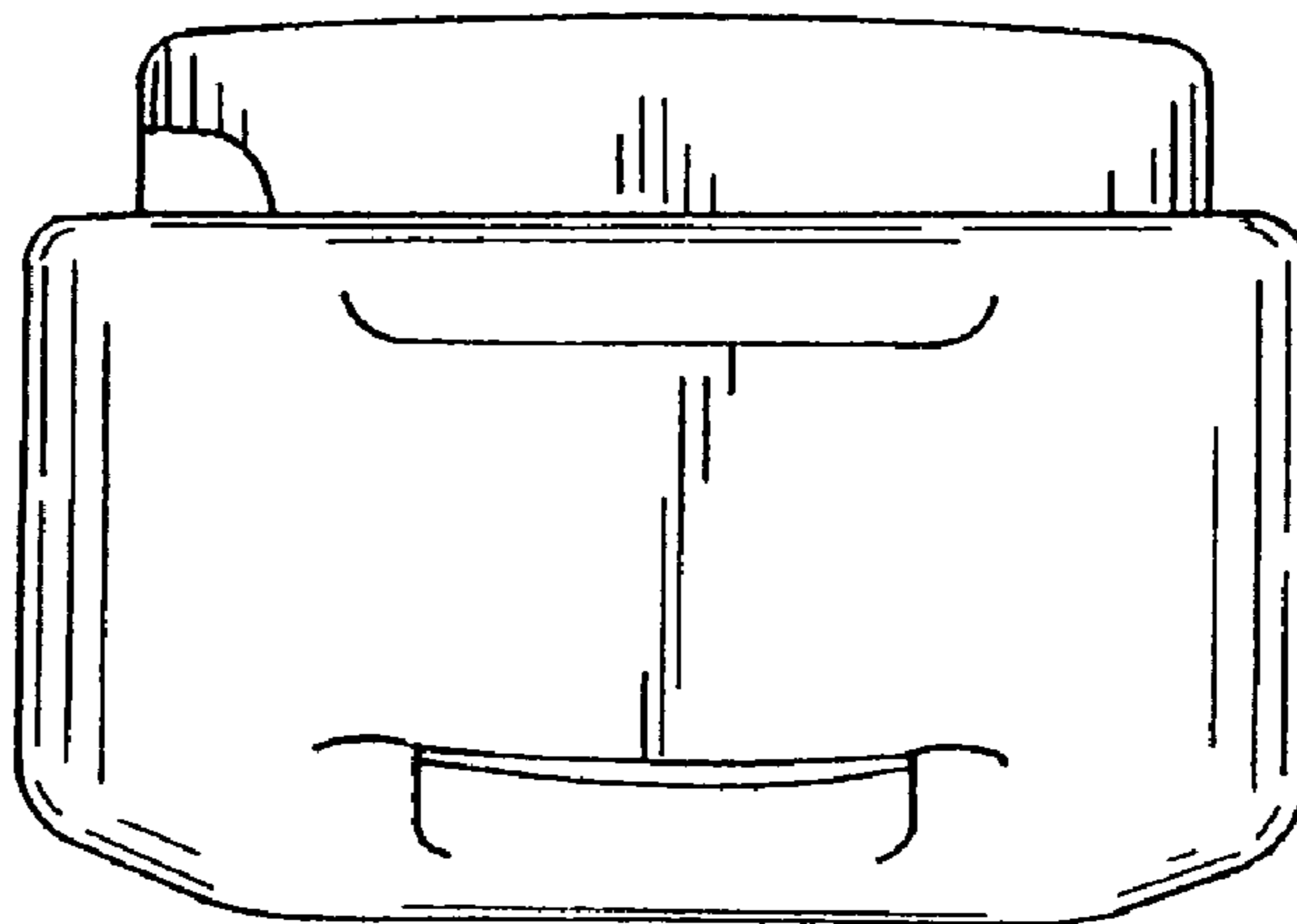


Fig. 7

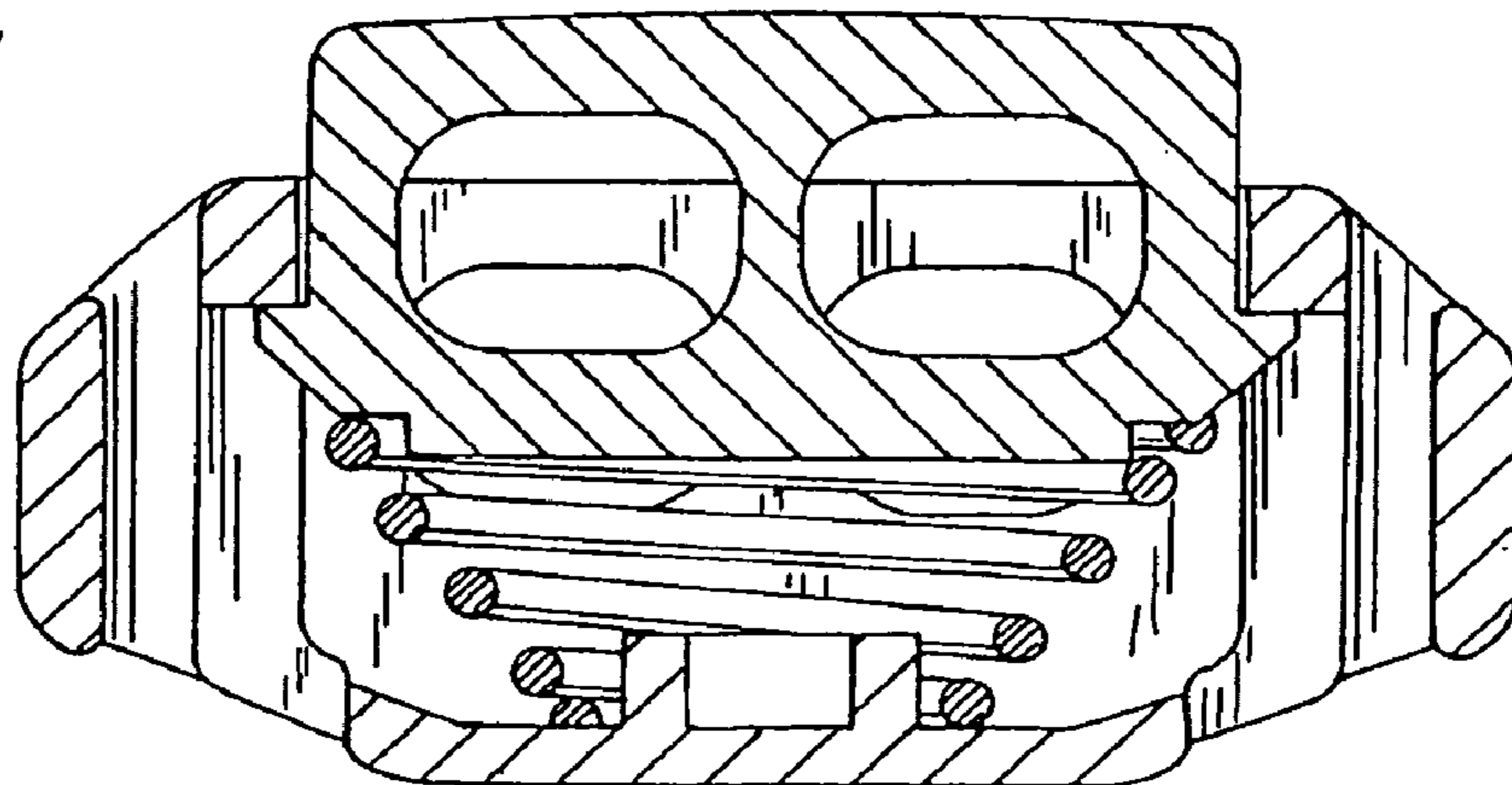
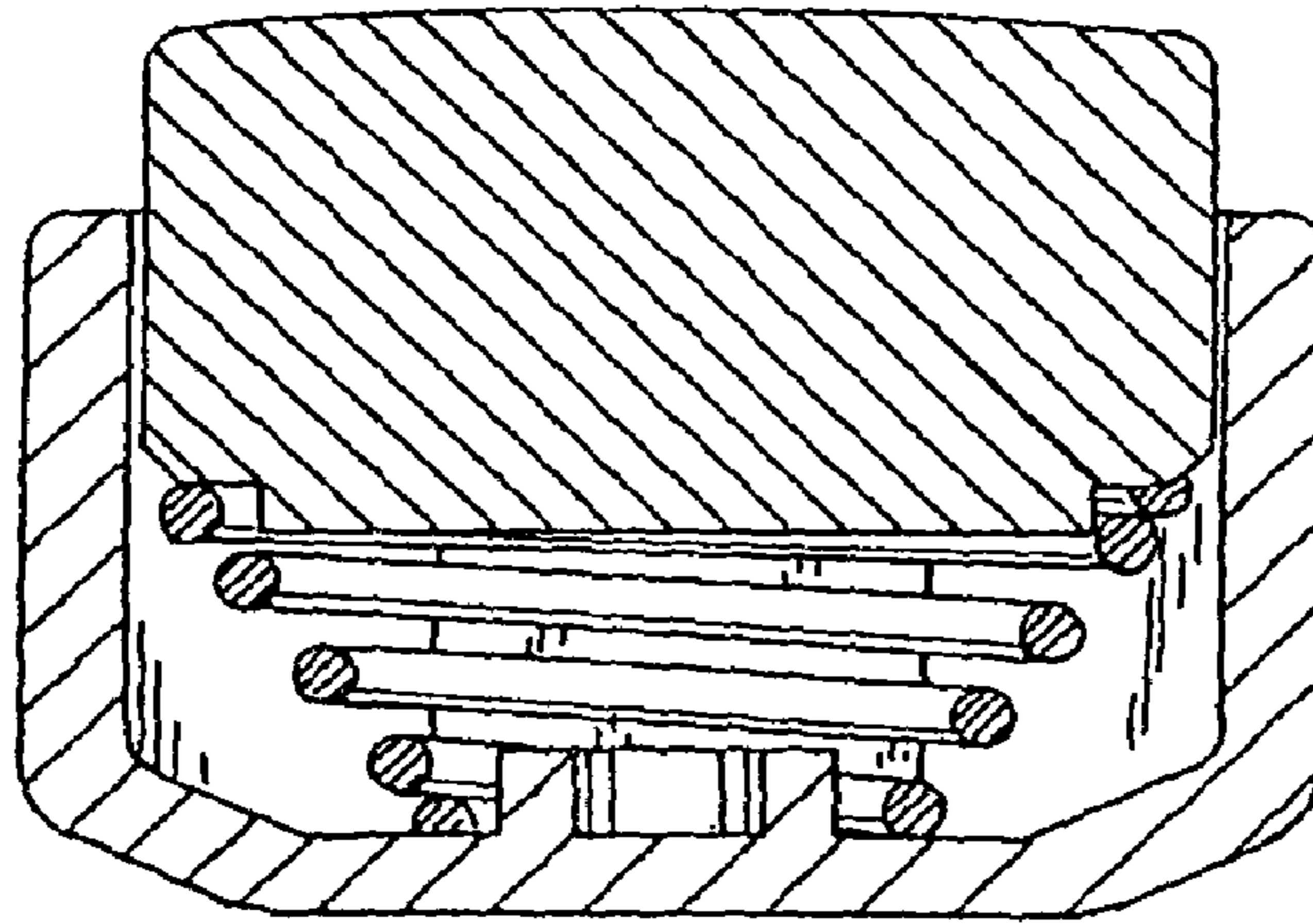
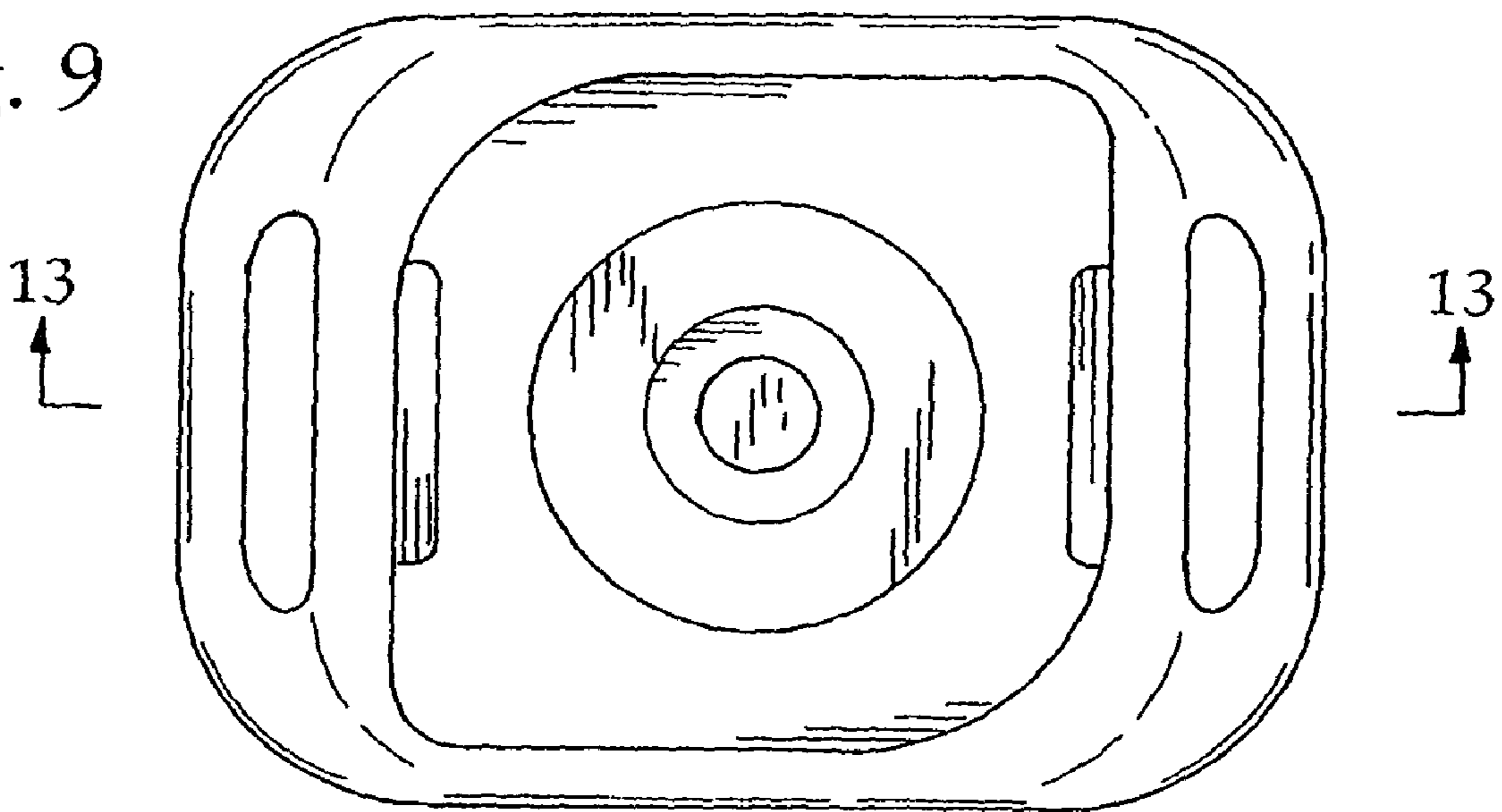


Fig. 8



14

Fig. 9



13

13

14

Fig. 10

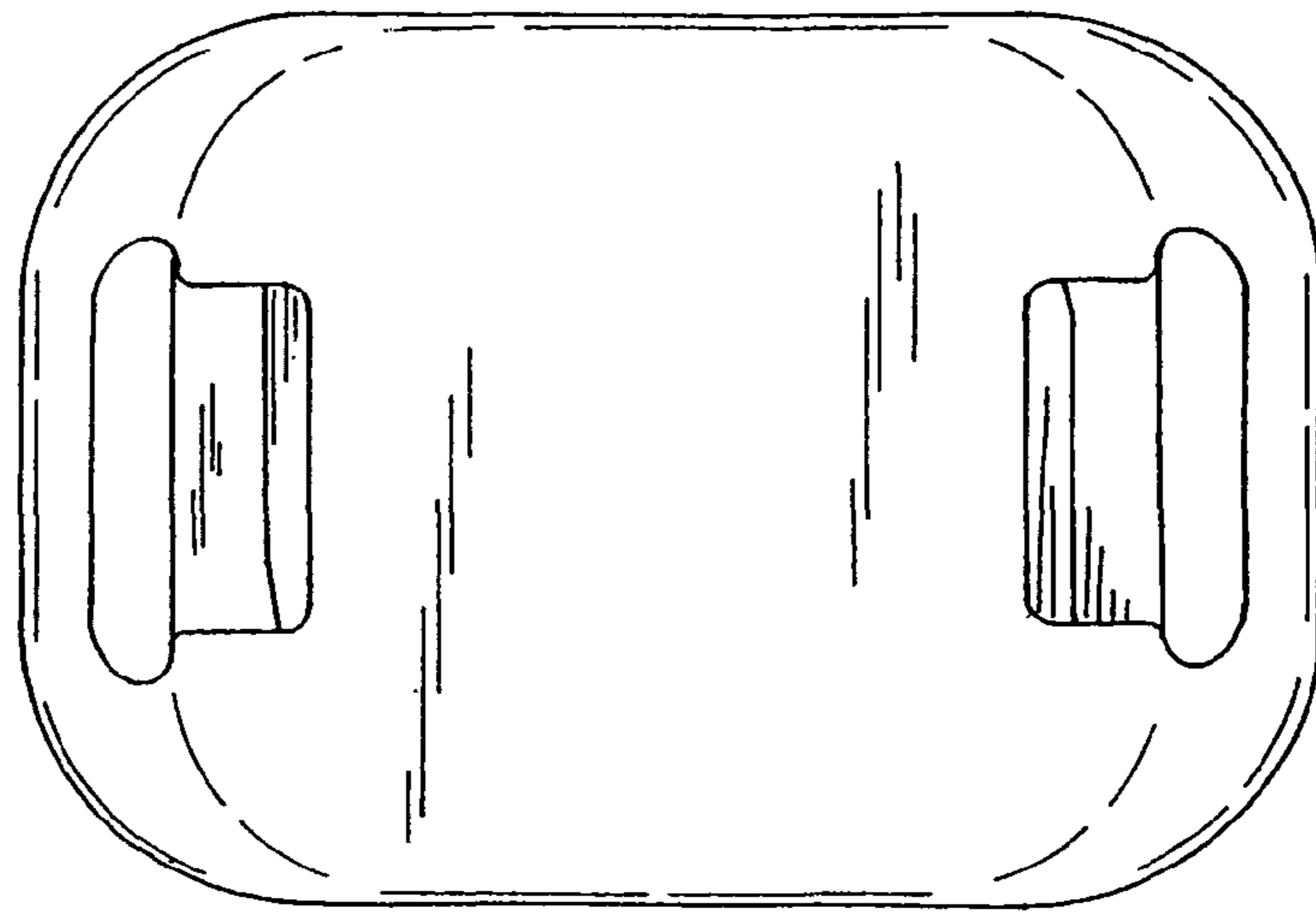


Fig. 11

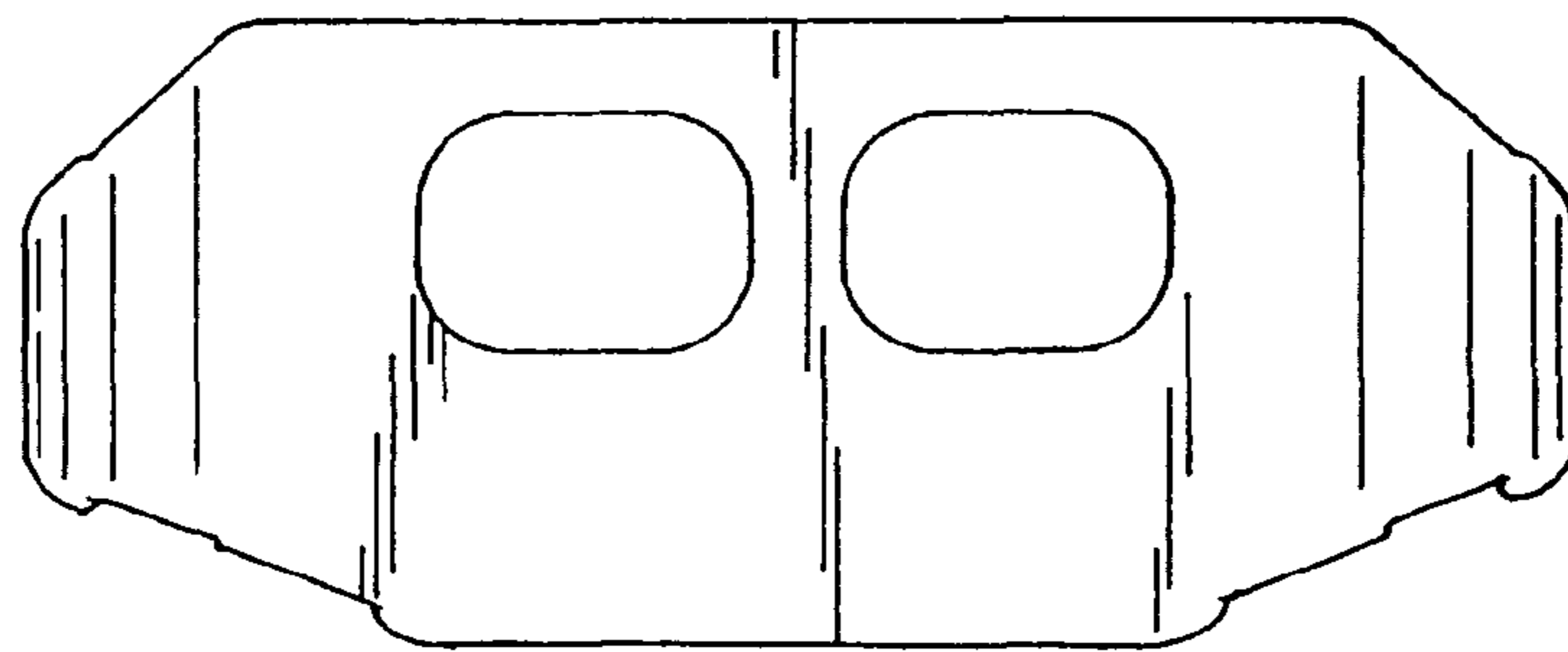


Fig. 12

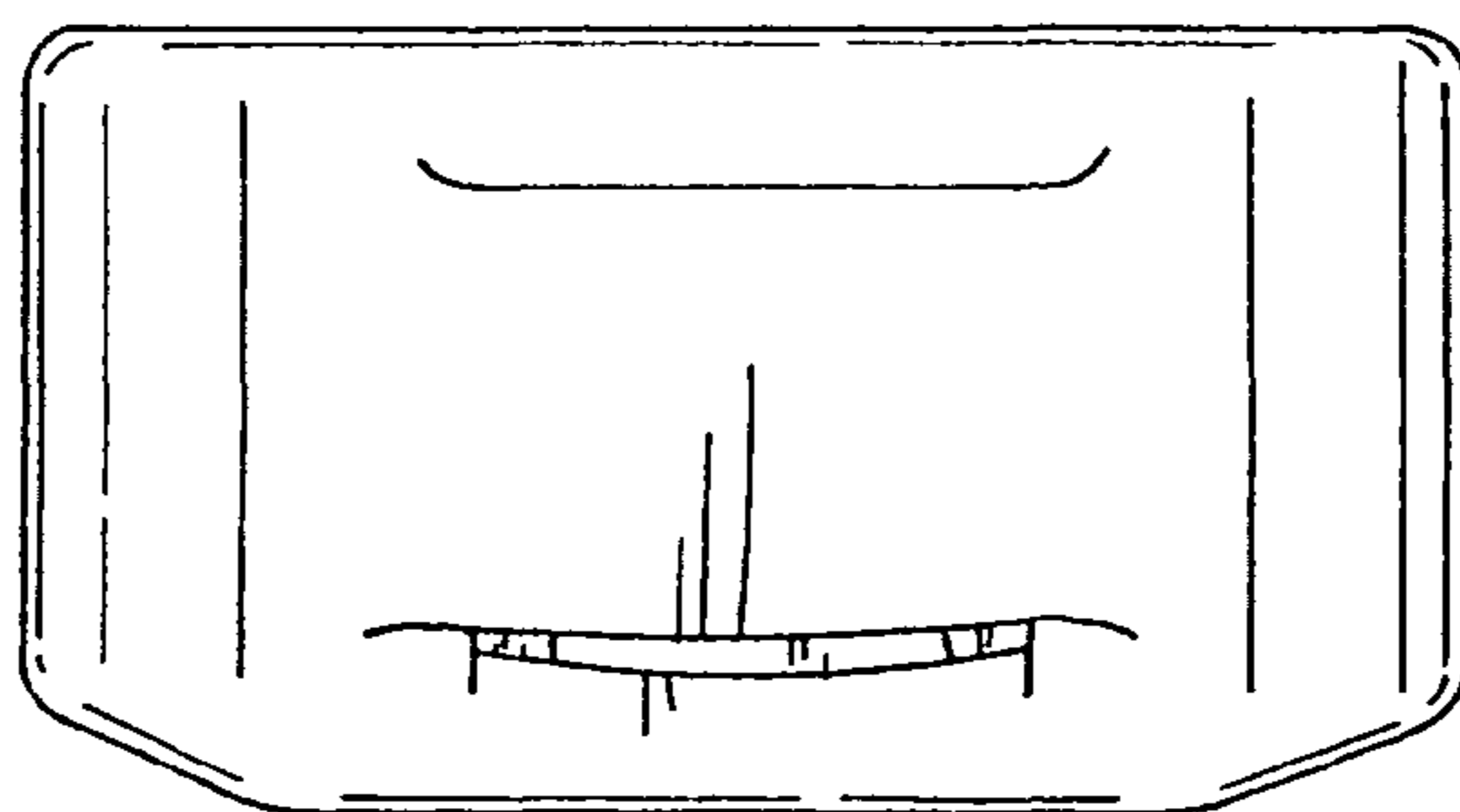


Fig. 13

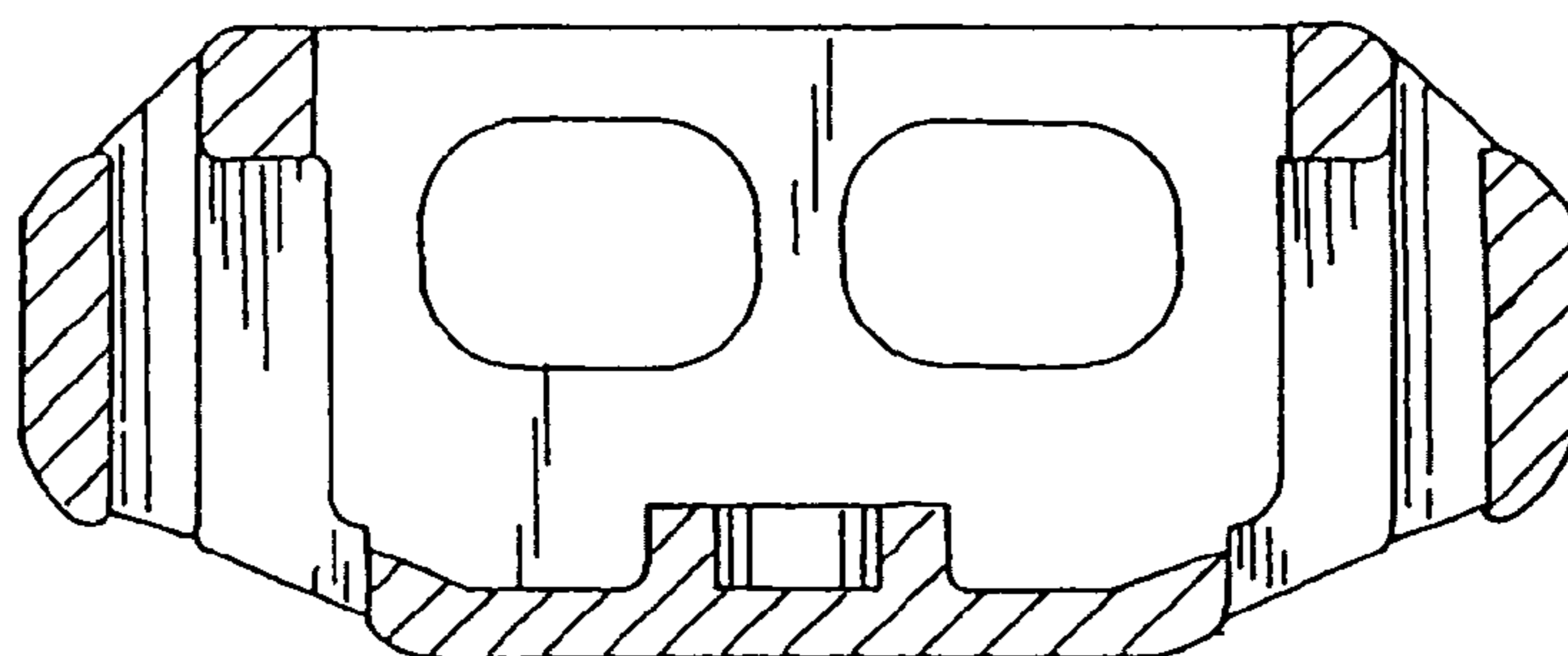
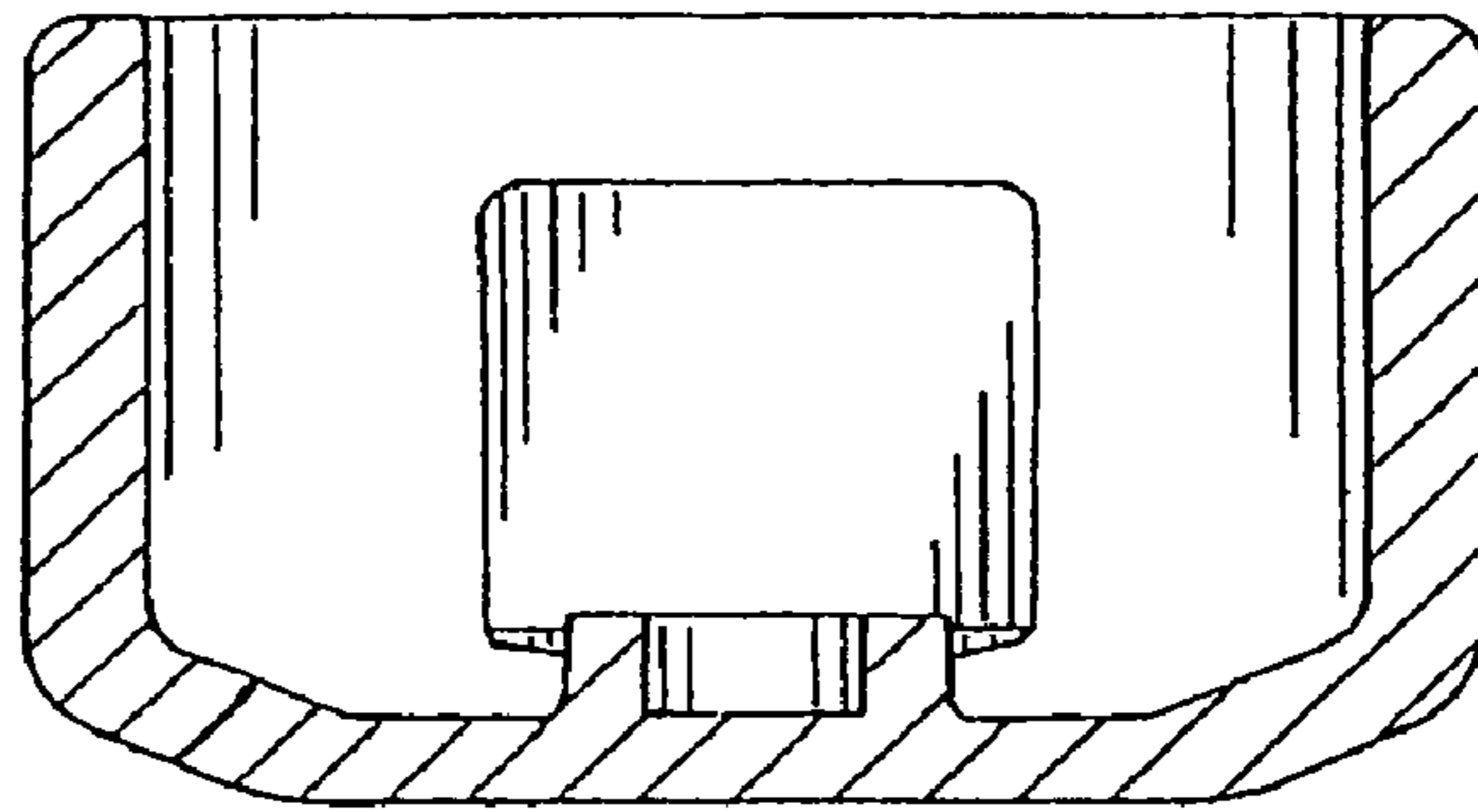


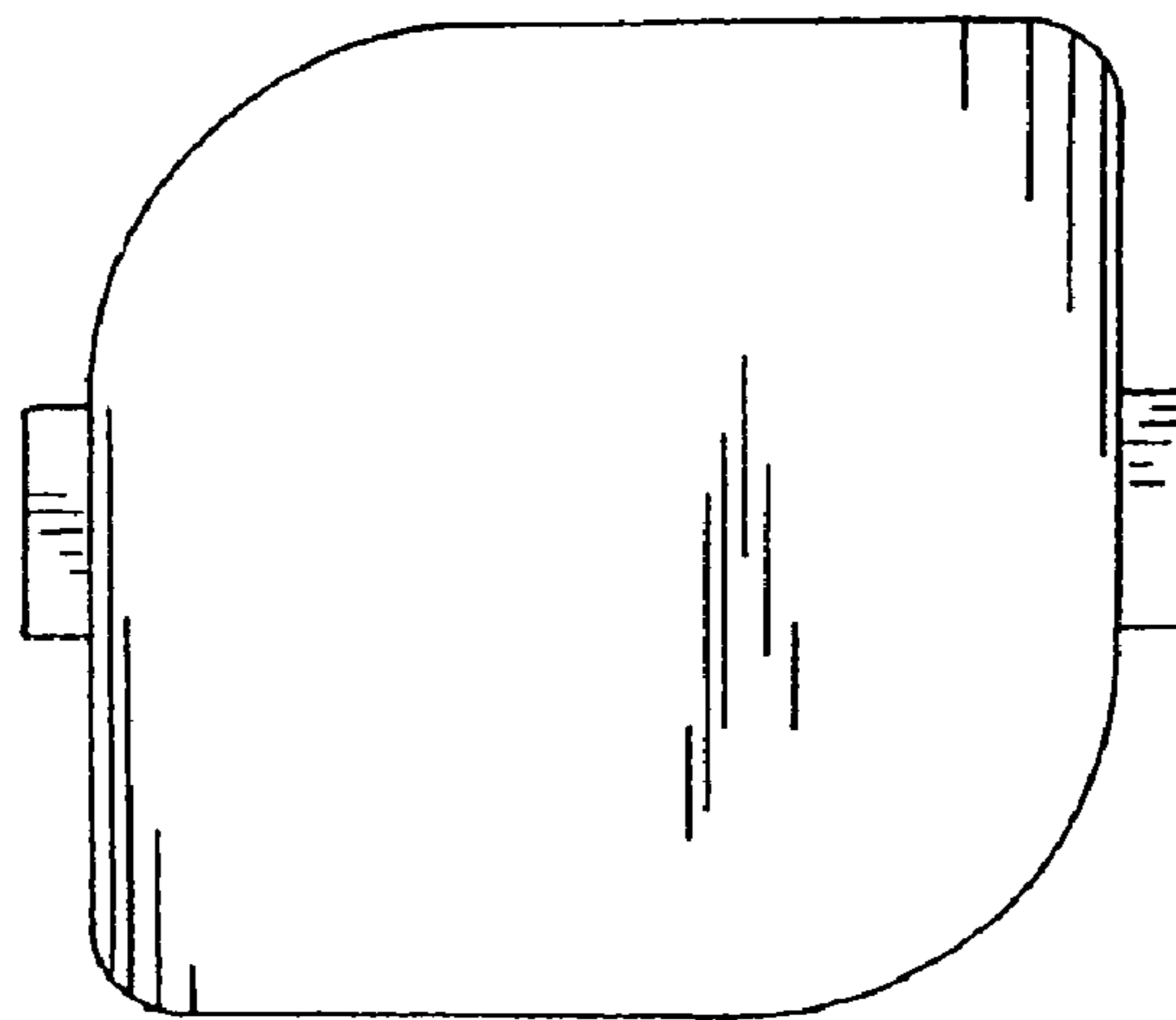
Fig. 14



20 →

Fig. 15

19 ↑



19 ↑

20 →

Fig. 16

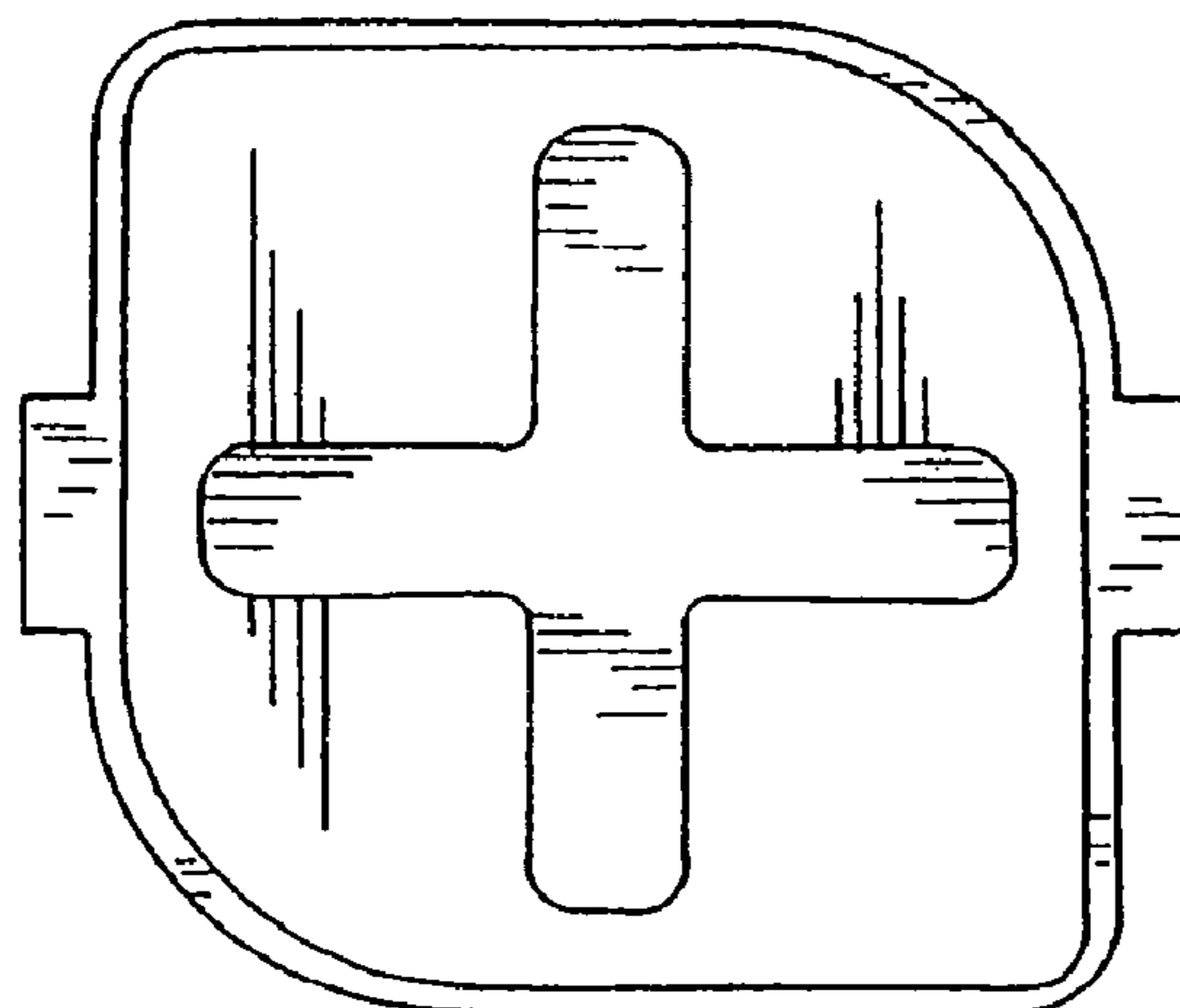


Fig. 17

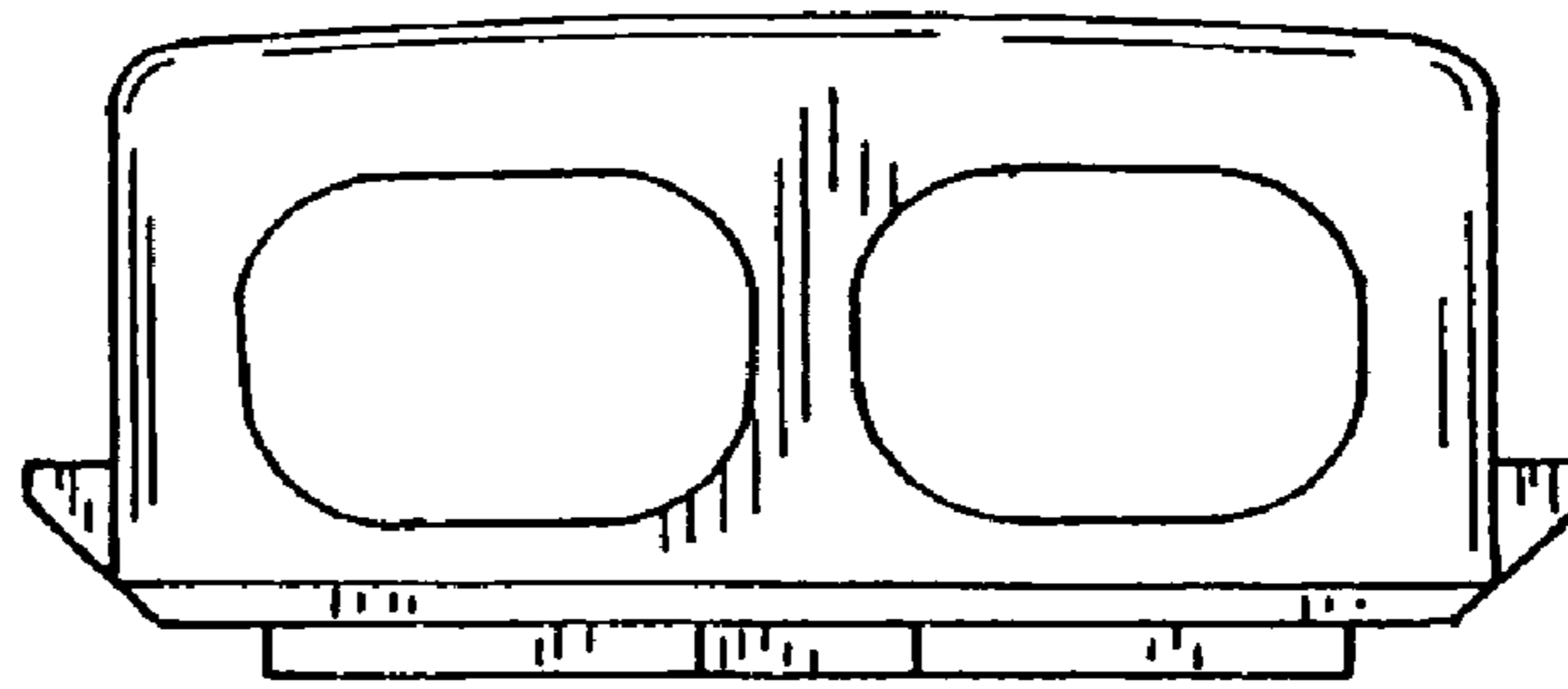


Fig. 18

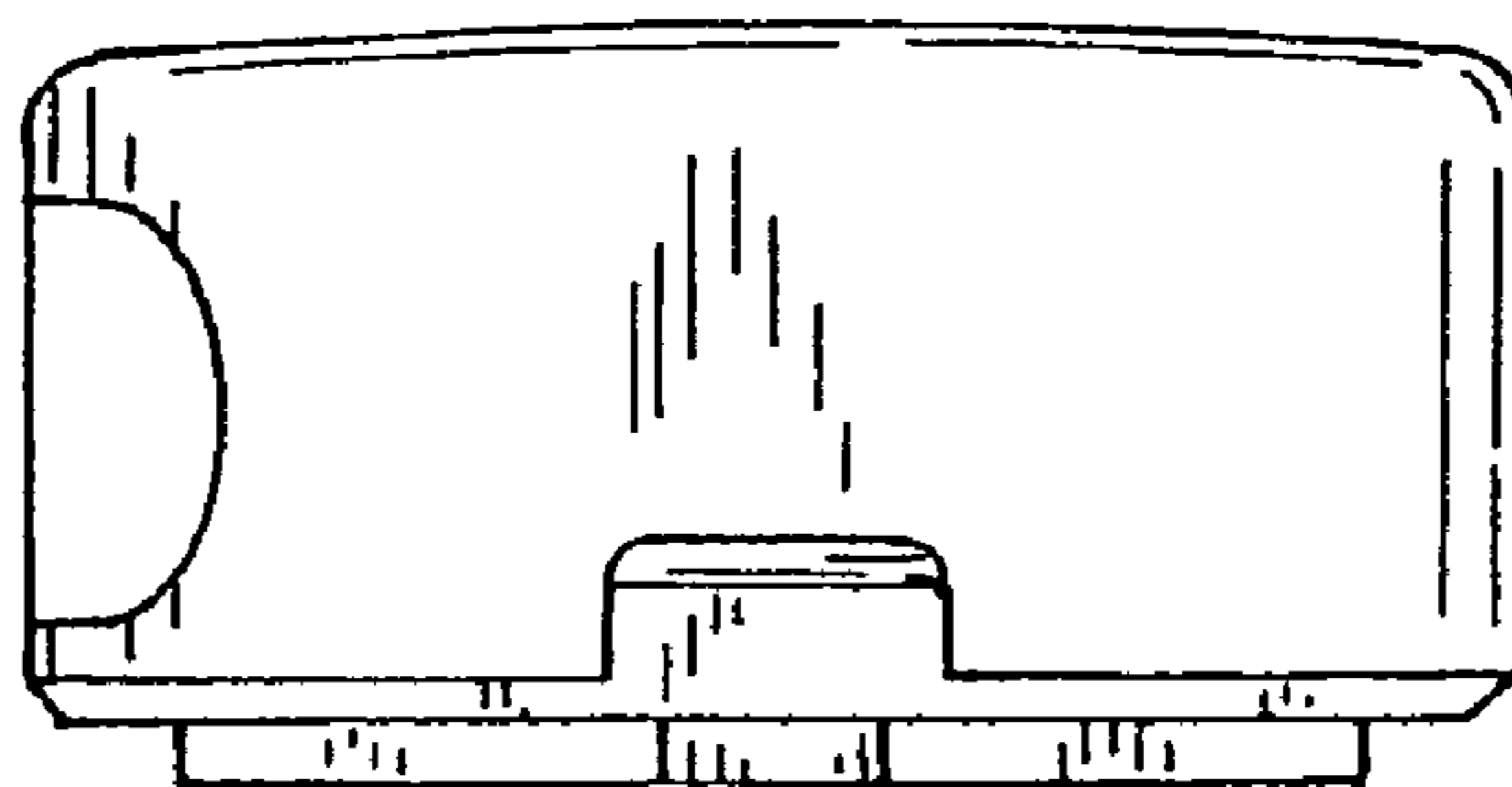


Fig. 19

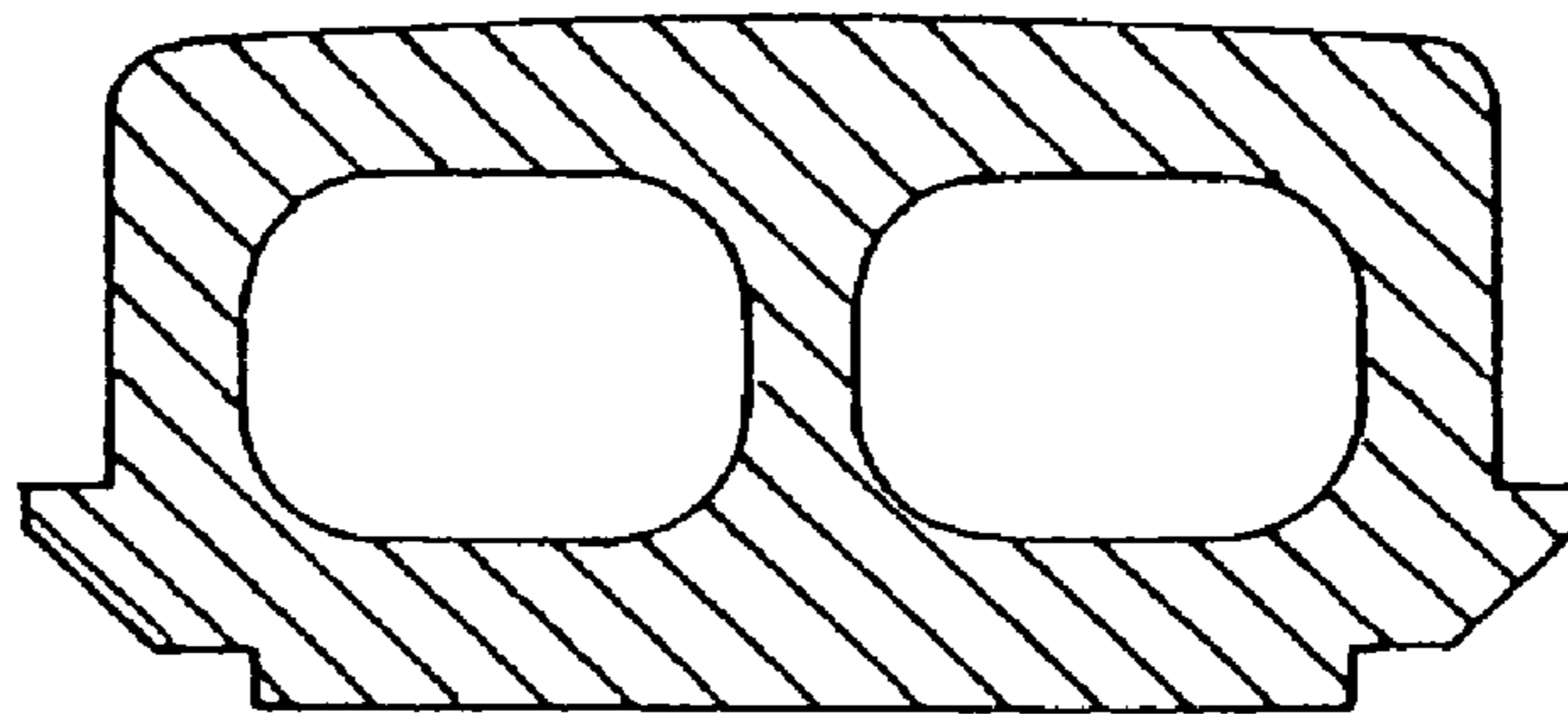


Fig. 20

