



US00D659523S

(12) **United States Design Patent**  
**Nielsen**

(10) **Patent No.:** **US D659,523 S**

(45) **Date of Patent:** **\*\* May 15, 2012**

(54) **COUPLING**

(75) Inventor: **Bent Nielsen**, Brøndby (DK)

(73) Assignee: **Nadiro A/S**, Copenhagen K (DK)

(\*\*) Term: **14 Years**

(21) Appl. No.: **29/403,695**

(22) Filed: **Oct. 10, 2011**

**Related U.S. Application Data**

(62) Division of application No. 29/356,541, filed on Feb. 26, 2010, now Pat. No. Des. 649,028.

**Foreign Application Priority Data**

Aug. 28, 2009 (EC) ..... 001605197

(51) **LOC (9) Cl.** ..... **08-08**

(52) **U.S. Cl.** ..... **D8/382**

(58) **Field of Classification Search** ..... D8/382,  
D8/349; 248/200, 300; 403/76, 90, 114,  
403/122, 56

See application file for complete search history.

(56) **References Cited**

U.S. PATENT DOCUMENTS

7,025,315	B2	4/2006	Carnevali	
7,993,069	B2 *	8/2011	Persson	403/56
D649,028	S *	11/2011	Nielsen	D8/382
8,061,920	B2 *	11/2011	Wimberley	403/90
2003/0098401	A1	5/2003	Carnevali	
2008/0286477	A1	11/2008	Hattori	

\* cited by examiner

*Primary Examiner* — Sheryl Lane

(74) *Attorney, Agent, or Firm* — Brinks Hofer Gilson & Lione

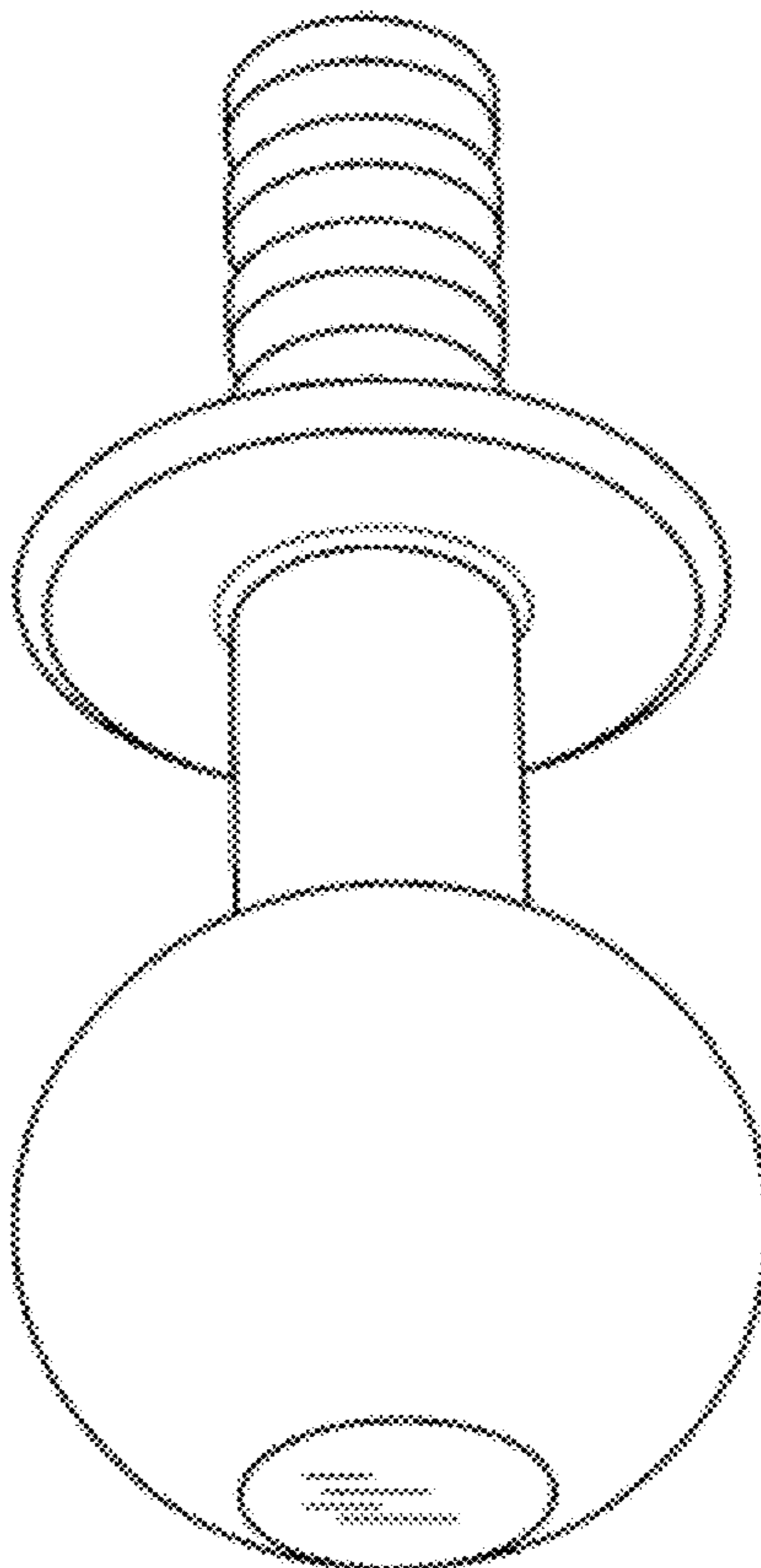
(57) **CLAIM**

I claim the ornamental design for a coupling, as shown and described.

**DESCRIPTION**

FIG. 1 is a front view of a coupling;  
FIG. 2 is a top view, thereof;  
FIG. 3 is a bottom view, thereof;  
FIG. 4 is a top perspective view, thereof; and,  
FIG. 5 is a bottom perspective view, thereof.  
The broken lines are included for the purpose of illustrating portions of the coupling and forms no part of the claimed design.

**1 Claim, 5 Drawing Sheets**



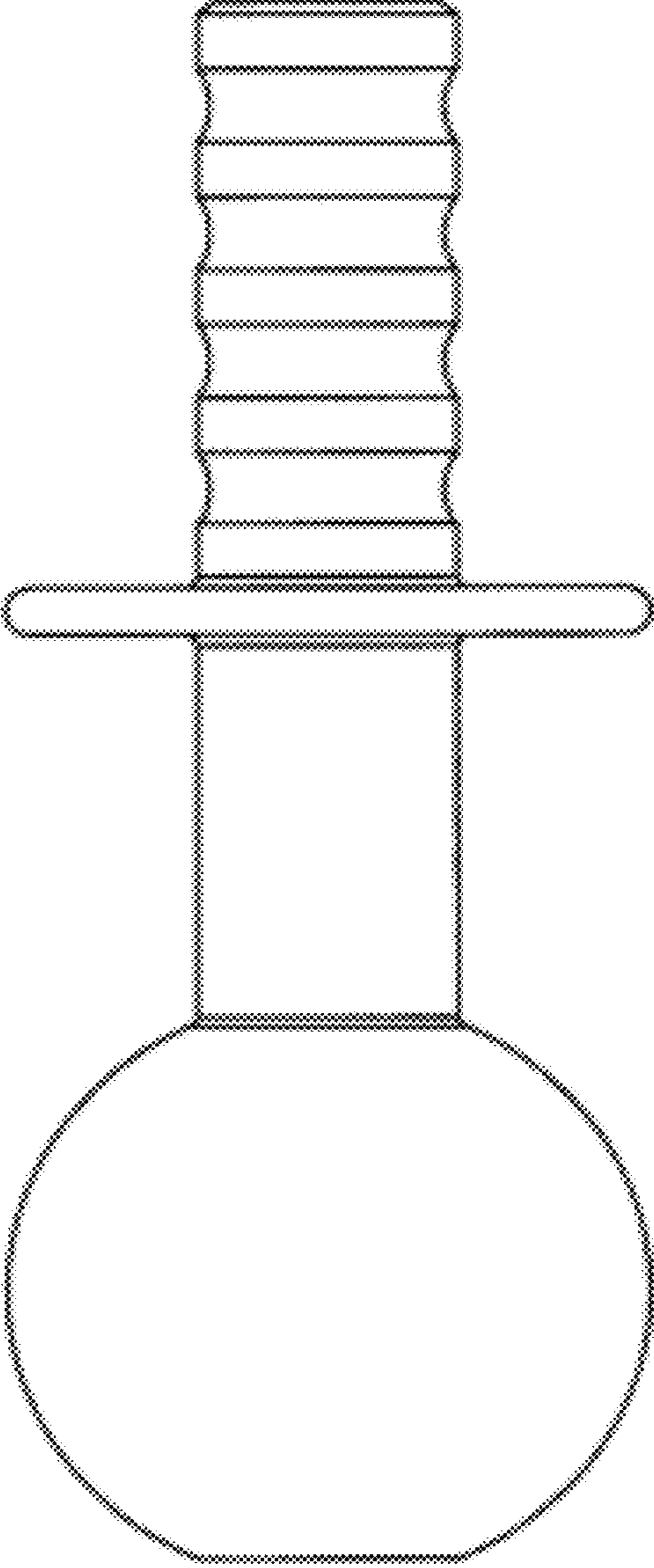


Fig. 1

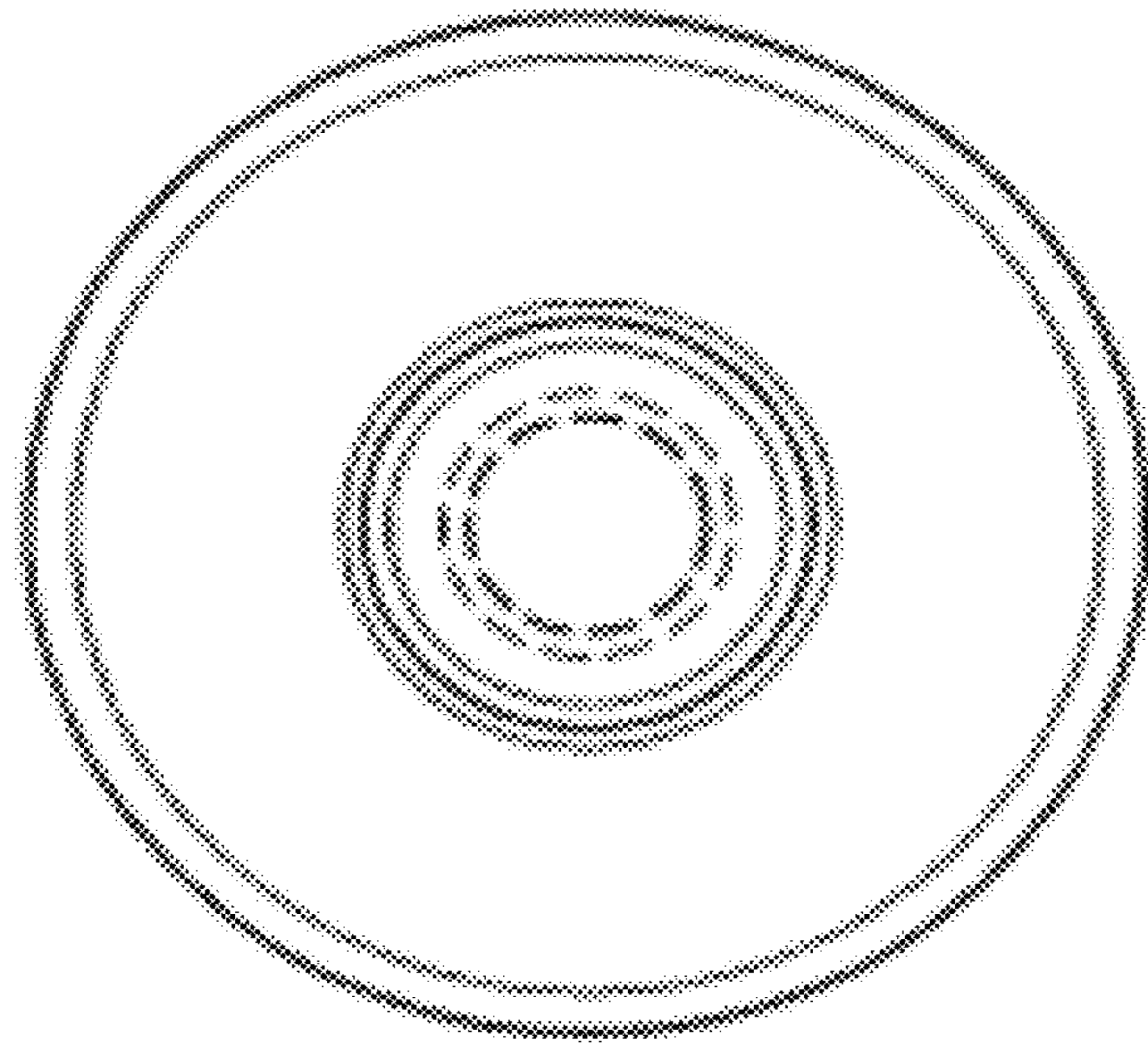


Fig. 2

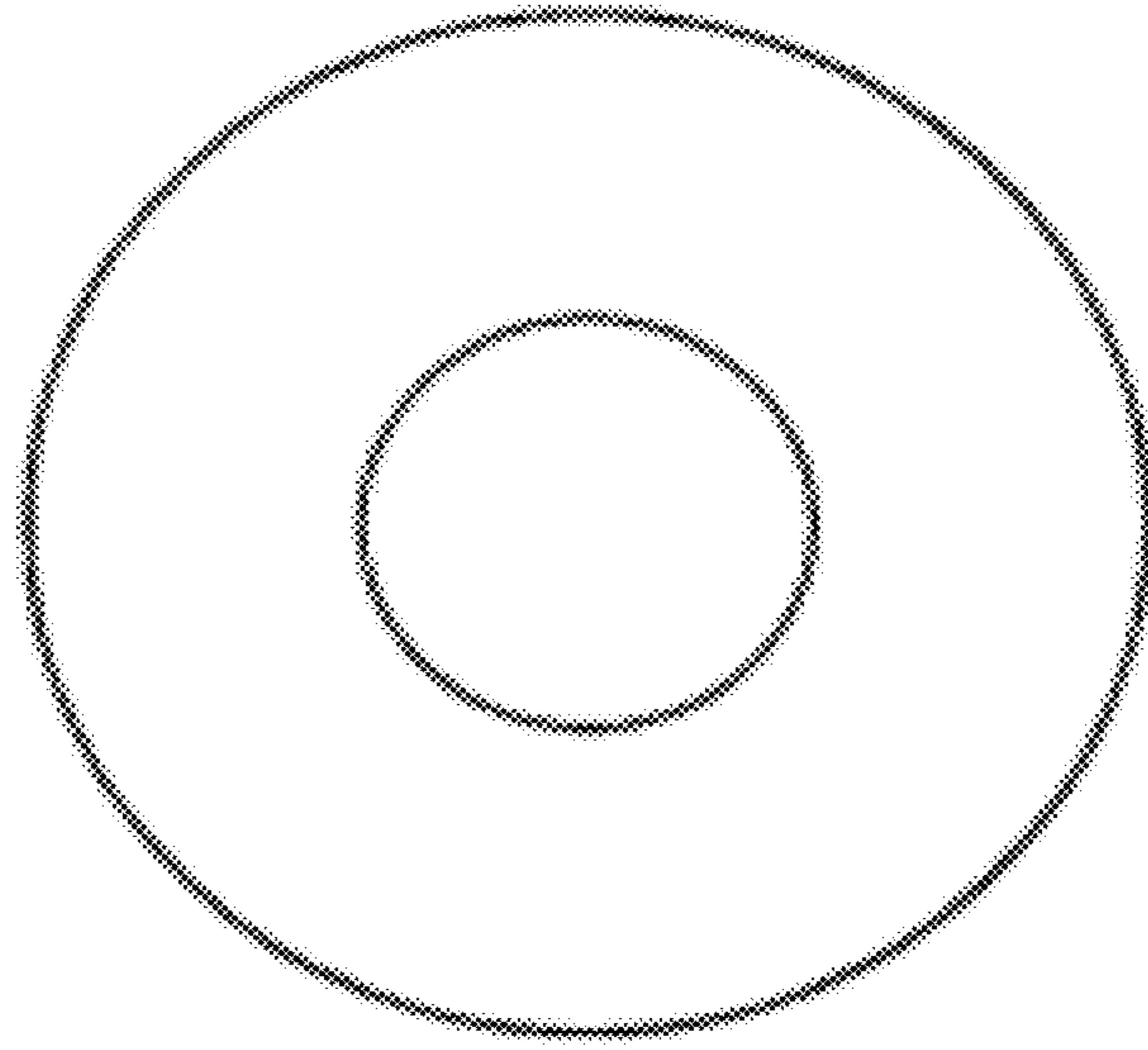


Fig. 3

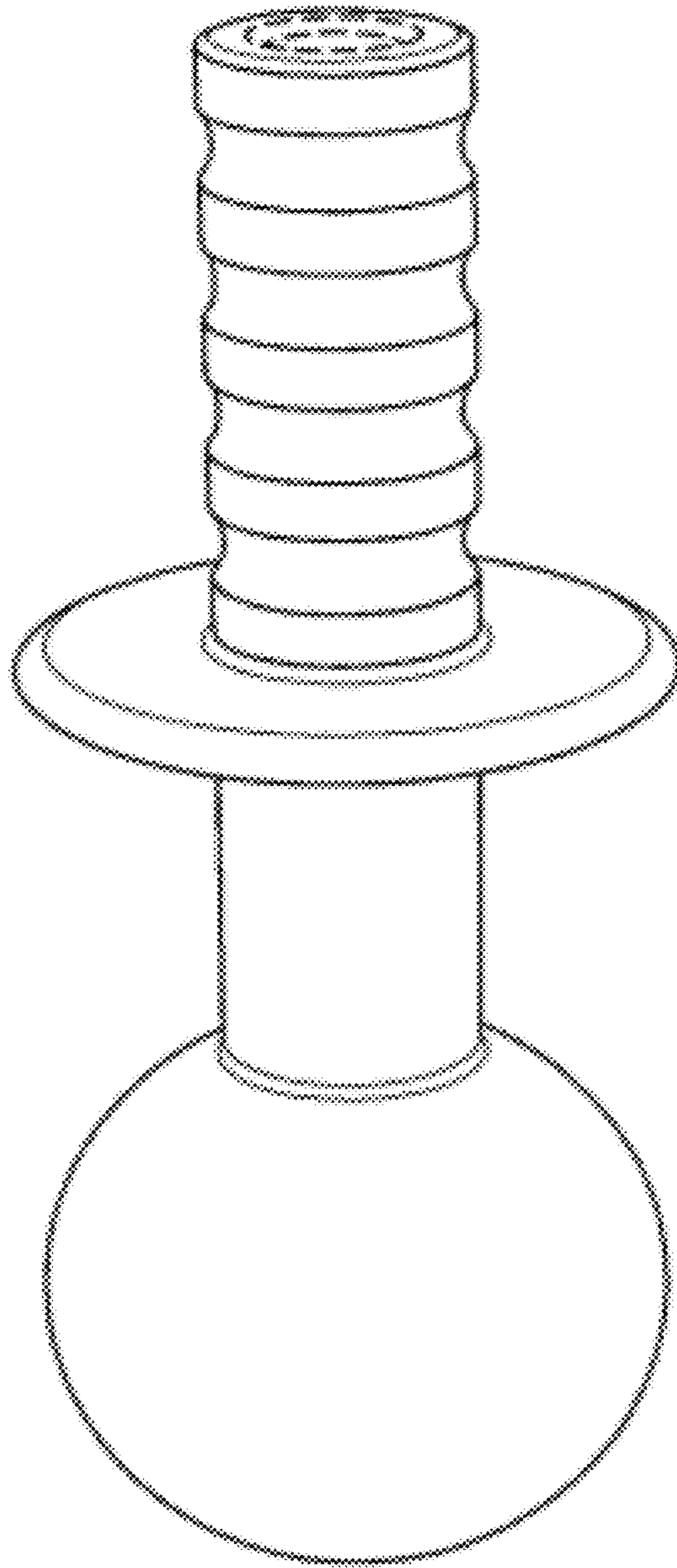


Fig. 4

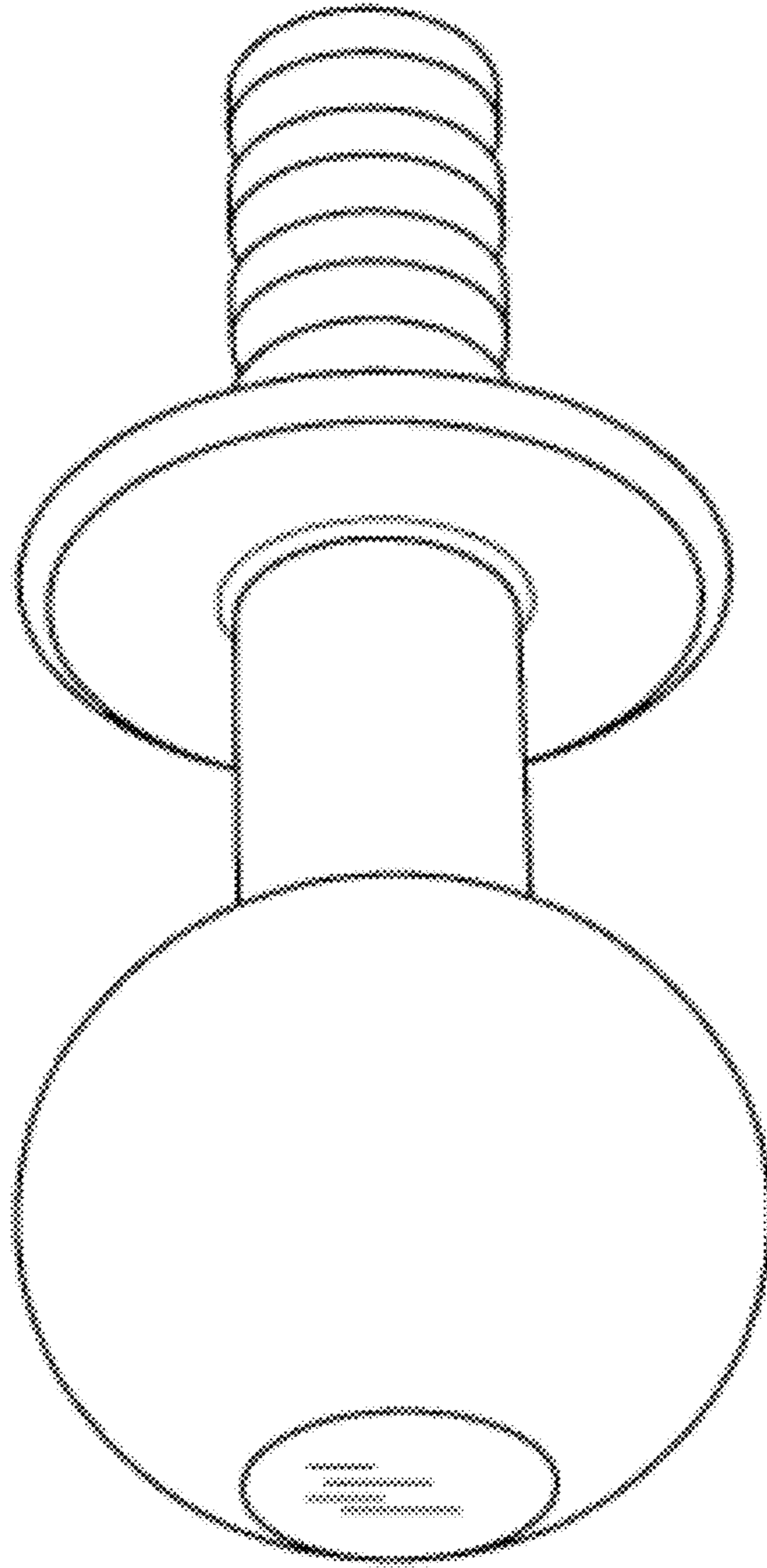


Fig. 5



UNITED STATES PATENT AND TRADEMARK OFFICE  
**CERTIFICATE OF CORRECTION**

PATENT NO. : D659,523 S  
APPLICATION NO. : 29/403695  
DATED : May 15, 2012  
INVENTOR(S) : Bent Nielsen

Page 1 of 1

It is certified that error appears in the above-identified patent and that said Letters Patent is hereby corrected as shown below:

Title Page, Item (30), under the heading Foreign Application Priority Data, please replace country designator EC (Ecuador) with EM (Office for Harmonization in the Internal Market (Trademarks and Designs) (OHIM)) to reflect that this application claims the benefit of foreign priority to European Community Design no. 001605197.

Signed and Sealed this  
Thirtieth Day of July, 2013



Teresa Stanek Rea  
*Acting Director of the United States Patent and Trademark Office*