



US00D659522S

(12) **United States Design Patent**  
**Noturno**

(10) **Patent No.:** **US D659,522 S**

(45) **Date of Patent:** **\*\* May 15, 2012**

(54) **PLYWOOD CLIP FOR USE IN ROOFING**

(75) Inventor: **Sam P. Noturno**, Canton, OH (US)

(73) Assignee: **Tallmadge Spinning & Metal Company**, Akron, OH (US)

(\*\*) Term: **14 Years**

(21) Appl. No.: **29/400,257**

(22) Filed: **Aug. 25, 2011**

**Related U.S. Application Data**

(63) Continuation of application No. 12/284,928, filed on Sep. 26, 2008, now abandoned.

(51) **LOC (9) Cl.** ..... **08-08**

(52) **U.S. Cl.** ..... **D8/382**

(58) **Field of Classification Search** ..... D8/349,  
D8/354, 382, 395, 396, 394; 403/403; 248/71,  
248/73, 74.5; 52/712-714, 357, 489, 478,  
52/735, 564

See application file for complete search history.

(56) **References Cited**

**U.S. PATENT DOCUMENTS**

620,594 A	3/1899	Ketchum
800,243 A	9/1905	Popple
1,246,585 A	11/1917	Geraerdt
1,906,616 A	4/1933	Zanella
2,053,438 A	9/1936	Lunken et al.
2,258,574 A	10/1941	Leary
2,567,554 A	9/1951	Davey
2,807,063 A	9/1957	Berow
2,934,180 A	4/1960	Hammitt et al.
3,208,119 A	9/1965	Clifford
3,416,282 A	12/1968	Daugherty
3,479,770 A	11/1969	Mock
3,633,950 A	1/1972	Gilb
3,712,015 A	1/1973	Nelson
3,738,083 A	6/1973	Shimano
3,798,710 A	3/1974	Tinnerman

3,967,425 A	7/1976	Wolverton et al.
3,973,295 A	8/1976	Janke
4,020,611 A	5/1977	Amos
D255,869 S *	7/1980	Glynn et al. .... D8/356
4,235,148 A	11/1980	Menge
D257,664 S *	12/1980	McKee .... D8/354
D260,481 S	9/1981	Norcross et al.
4,641,474 A *	2/1987	Cannarsa .... 52/514
4,703,603 A	11/1987	Hills
4,909,011 A	3/1990	Freeman et al.
4,935,998 A	6/1990	Frazier et al.
4,991,373 A	2/1991	Shaub
5,152,117 A	10/1992	Wynar
5,517,731 A	5/1996	Spykerman
5,678,379 A *	10/1997	Quattrociocchi .... 52/712
5,966,893 A	10/1999	Quillin
6,193,455 B1	2/2001	Levey
D485,160 S *	1/2004	Pelc .... D8/382
6,857,240 B1	2/2005	MacAlister
6,931,813 B2 *	8/2005	Collie .... 52/713
D553,968 S *	10/2007	Skinner .... D8/382
D589,334 S *	3/2009	Hotchkiss, III .... D8/382
D644,915 S *	9/2011	Chen .... D8/354
D645,335 S *	9/2011	Herman .... D8/363

\* cited by examiner

*Primary Examiner* — Sheryl Lane

(74) *Attorney, Agent, or Firm* — Sand & Sebolt

(57) **CLAIM**

The ornamental design for a plywood clip for use in roofing, as shown and described.

**DESCRIPTION**

FIG. 1 is a perspective view of the plywood clip of the present invention.

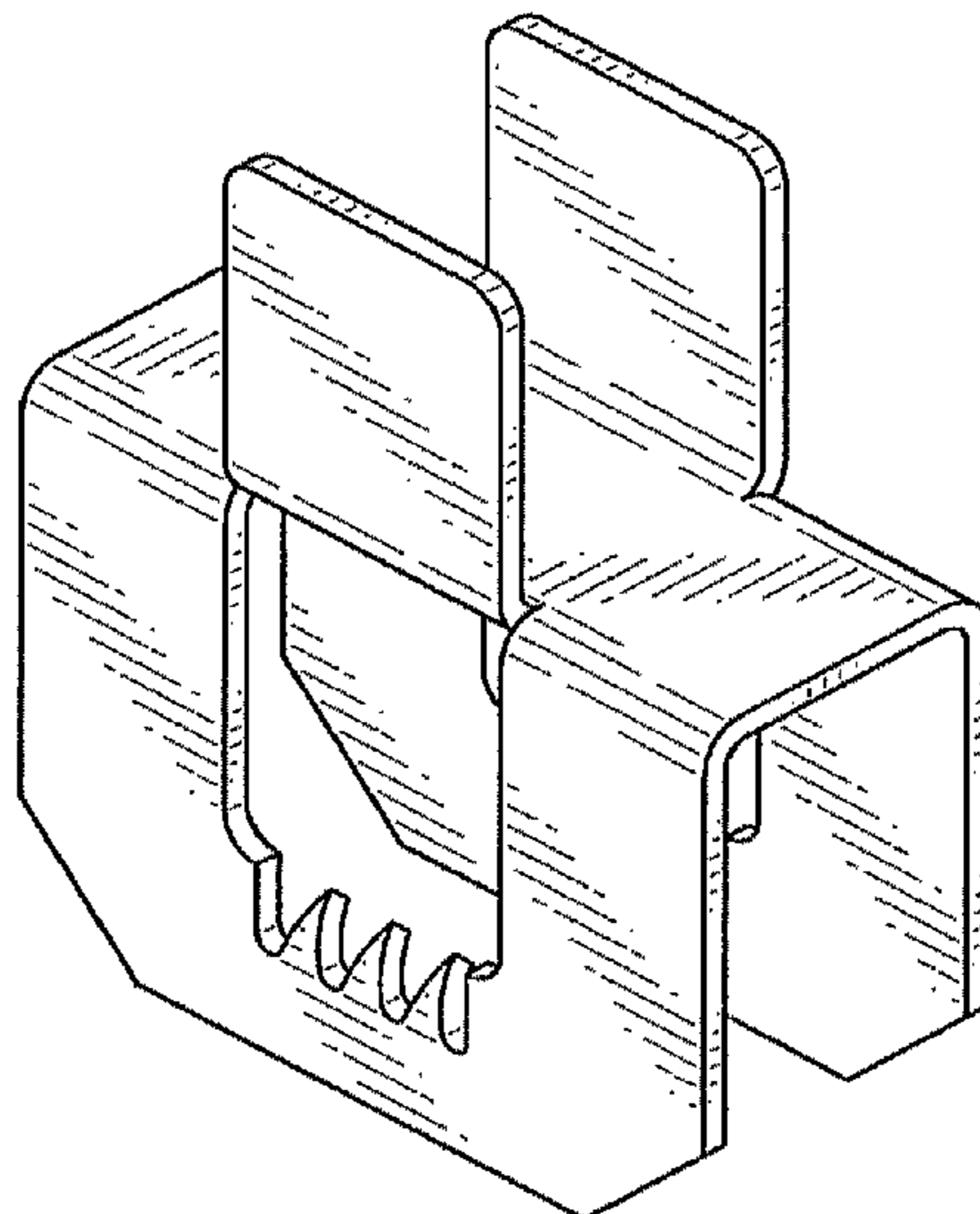
FIG. 2 is a front elevational view which also serves as a rear elevational view.

FIG. 3 is a side elevational view which serves both as a left side elevational view and a right side elevational view.

FIG. 4 is a top plan view; and,

FIG. 5 is a bottom plan view.

**1 Claim, 1 Drawing Sheet**



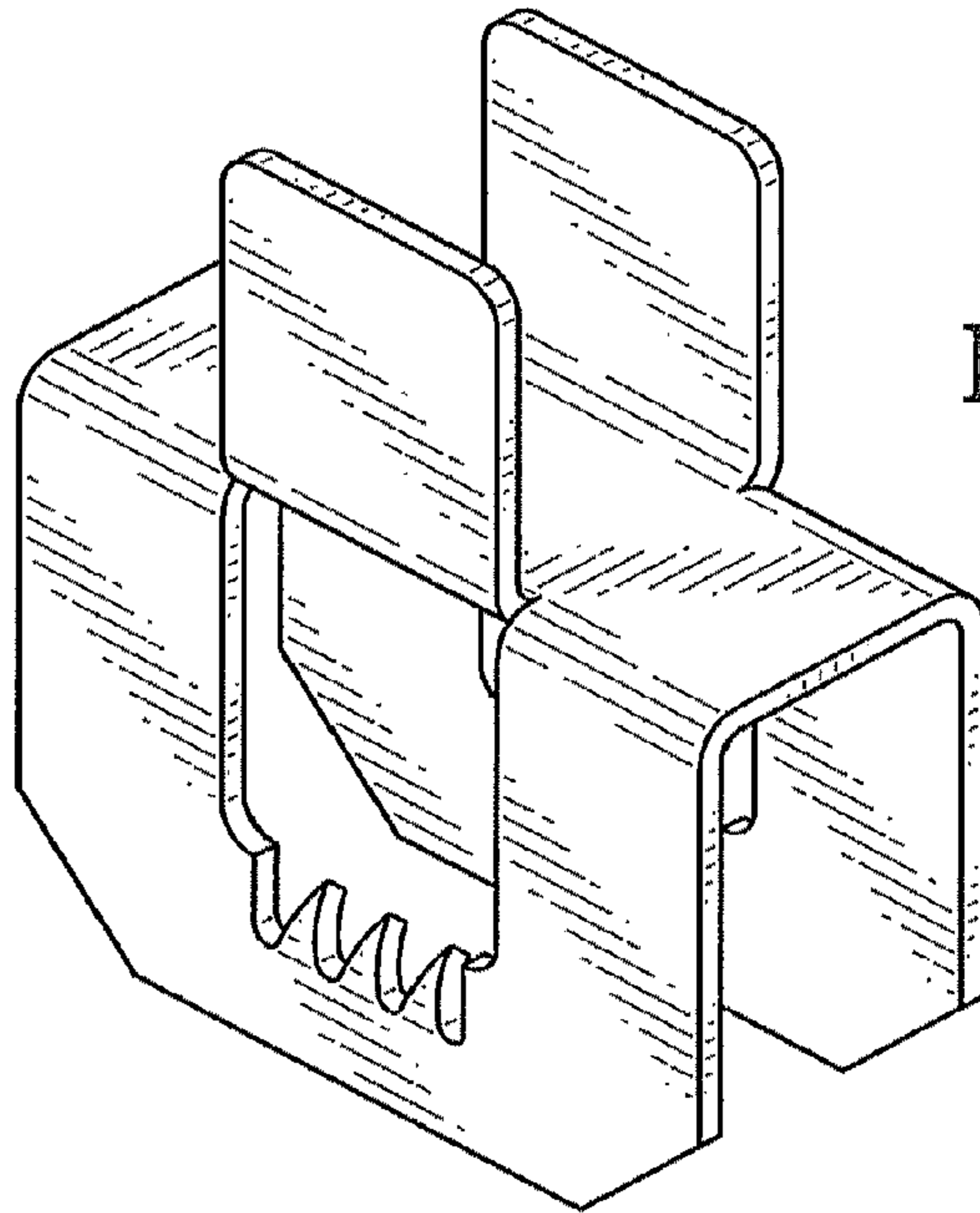


FIG-1

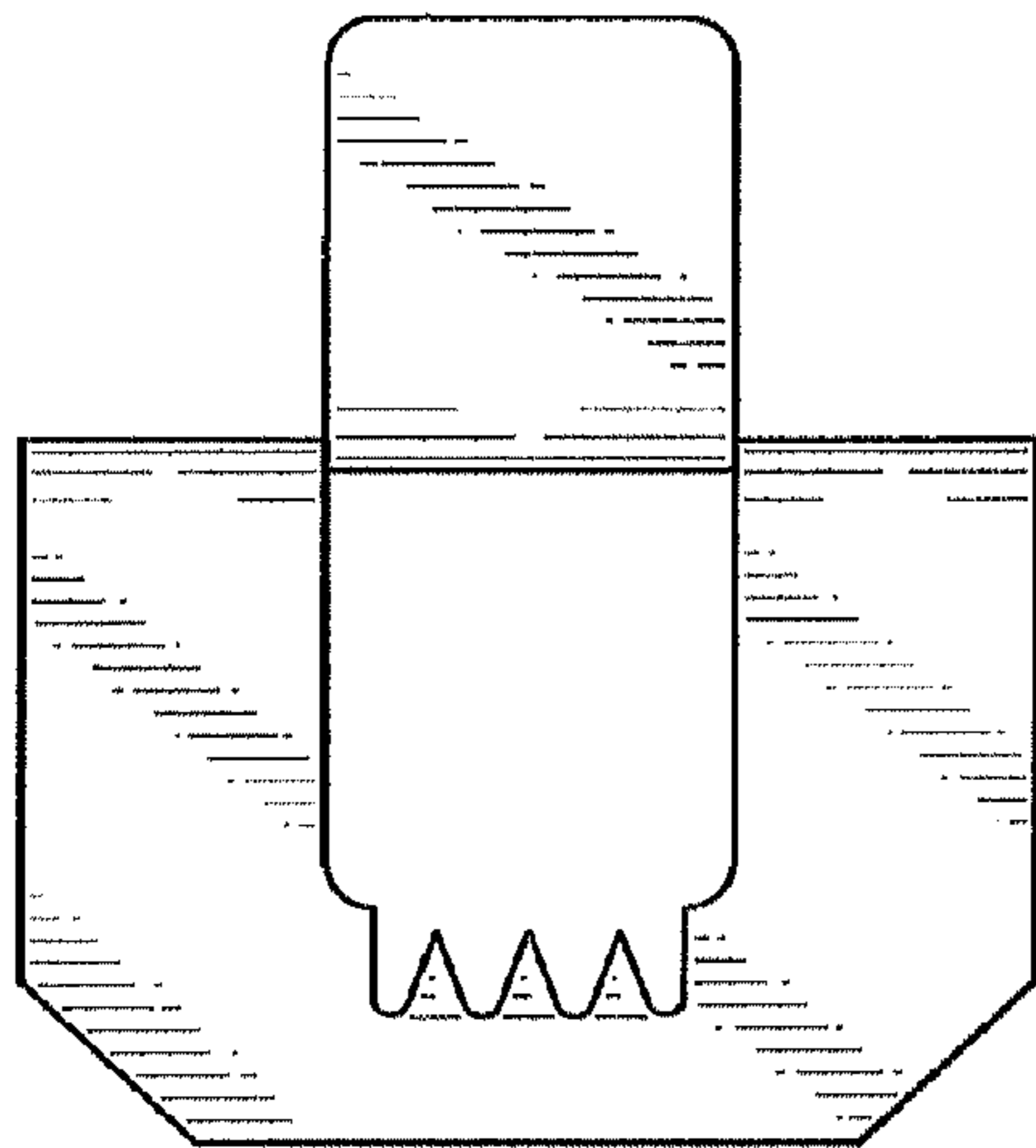


FIG-2

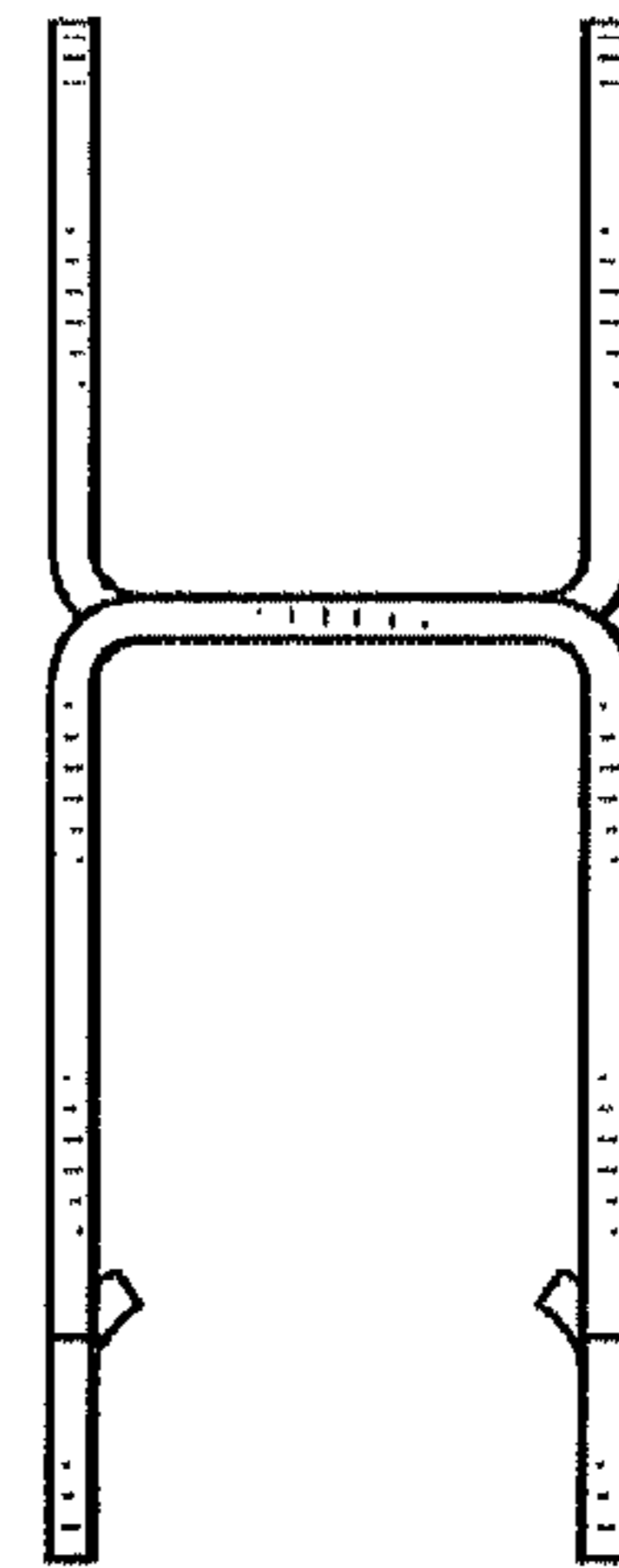


FIG-3

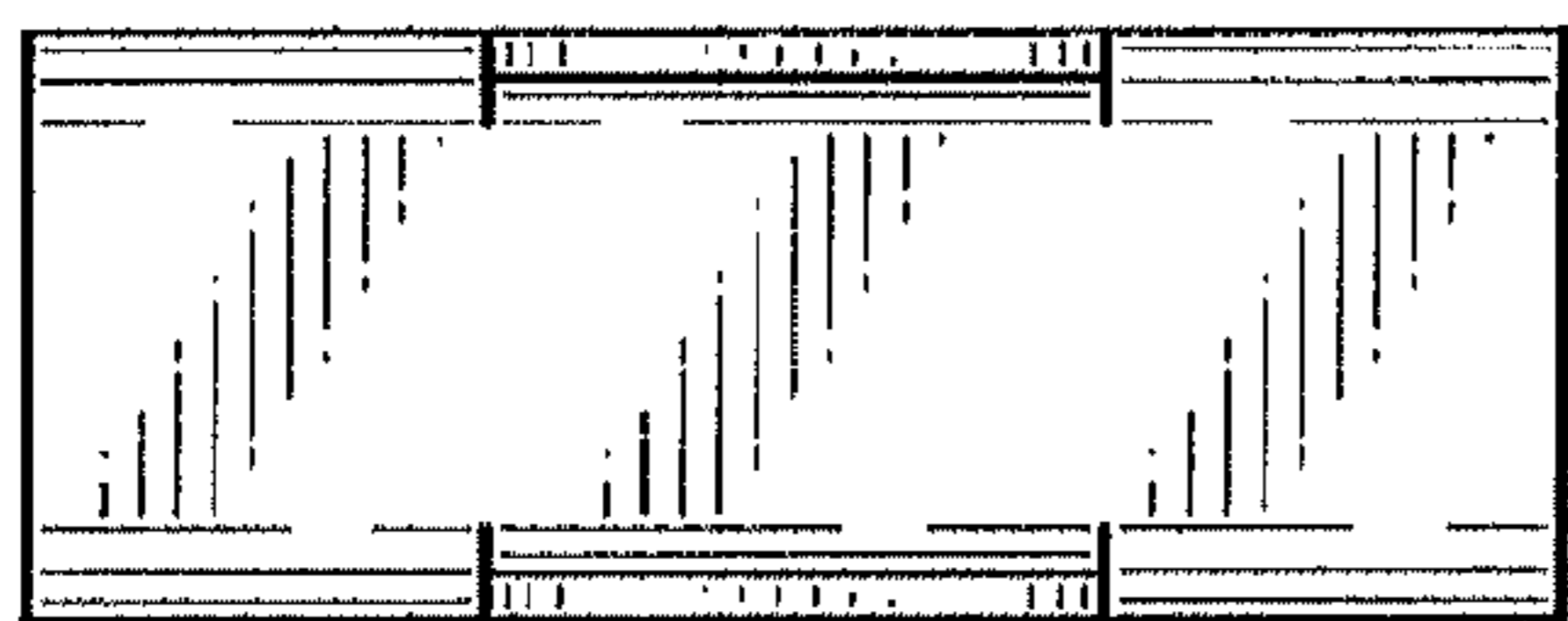


FIG-4

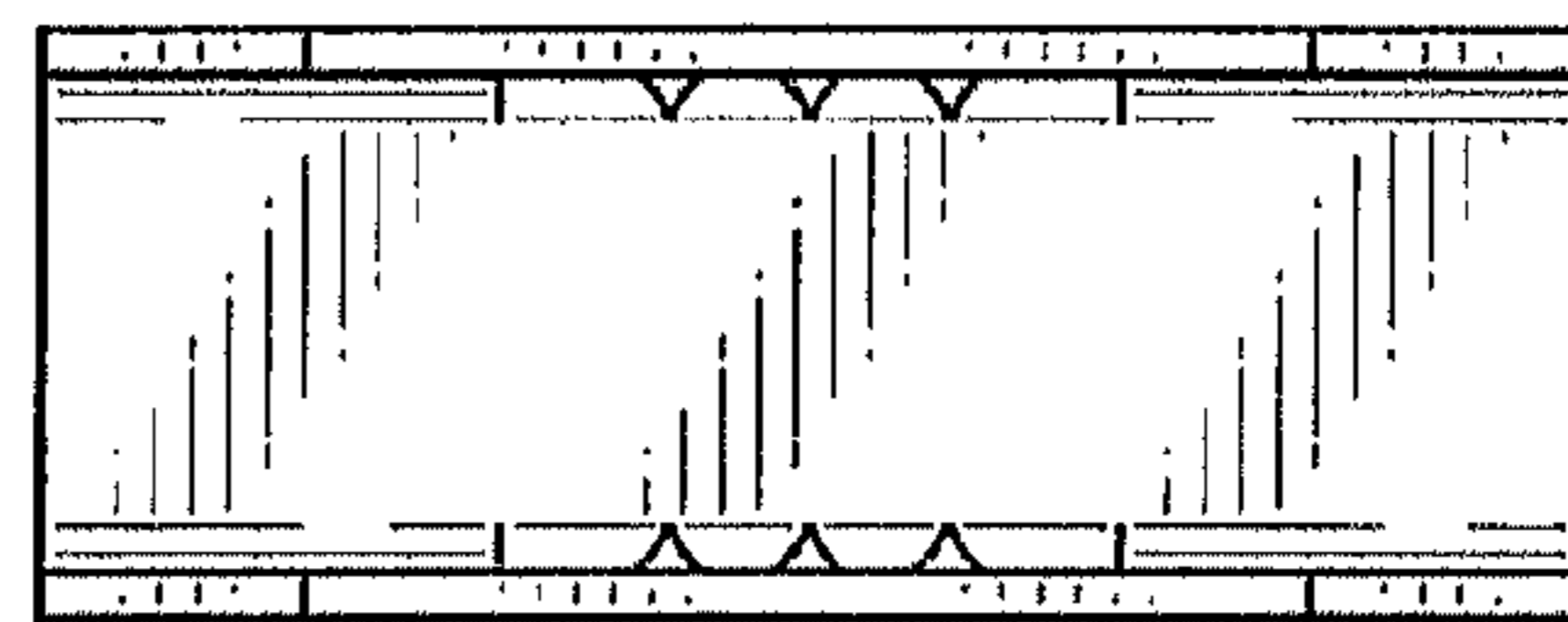


FIG-5